

[54] COMPACT MICROSCOPE

[75] Inventors: Klaus Weber, Köngisbronn; Erich Stütz, Aalen, both of Fed. Rep. of Germany

[73] Assignee: Carl Zeiss-Stiftung, Oberkochen, Fed. Rep. of Germany

[\*\*] Term: 14 Years

[21] Appl. No.: 136,549

[22] Filed: Apr. 2, 1980

[30] Foreign Application Priority Data

Oct. 2, 1979 [DE] Fed. Rep. of Germany ..... GR I 2467/79

[51] Int. Cl. .... D16-06

[52] U.S. Cl. .... D16/131

[58] Field of Search ..... D16/131; 350/87, 91, 350/50, 49, 85, 86, 255

[56] References Cited

U.S. PATENT DOCUMENTS

D. 234,368	2/1975	Michel	.....	D16/131
D. 234,369	2/1975	Michel	.....	D16/131
D. 257,357	10/1980	Armbruster	.....	D16/131
D. 257,358	10/1980	Armbruster	.....	D16/131
2,691,918	10/1954	Robins et al.	.....	D16/131 X
3,202,047	8/1965	Lawler	.....	D16/131 X
3,798,435	3/1974	Schindl	.....	350/87 X

Primary Examiner—Bernard Ansher  
Attorney, Agent, or Firm—Hopgood, Calimafde, Kalil, Blaustein & Judlowe

[57] CLAIM

The ornamental design for a compact microscope, as shown in the drawing.

DESCRIPTION

FIG. 1 is a right-front top front perspective view of a compact microscope showing our new design; FIG. 2 is an elevation as seen from the right side thereof; FIG. 3 is a front elevation thereof; FIG. 4 is an elevation as seen from the left of FIG. 3; FIG. 5 is a top plan view thereof; and FIG. 6 is a rear elevation thereof.

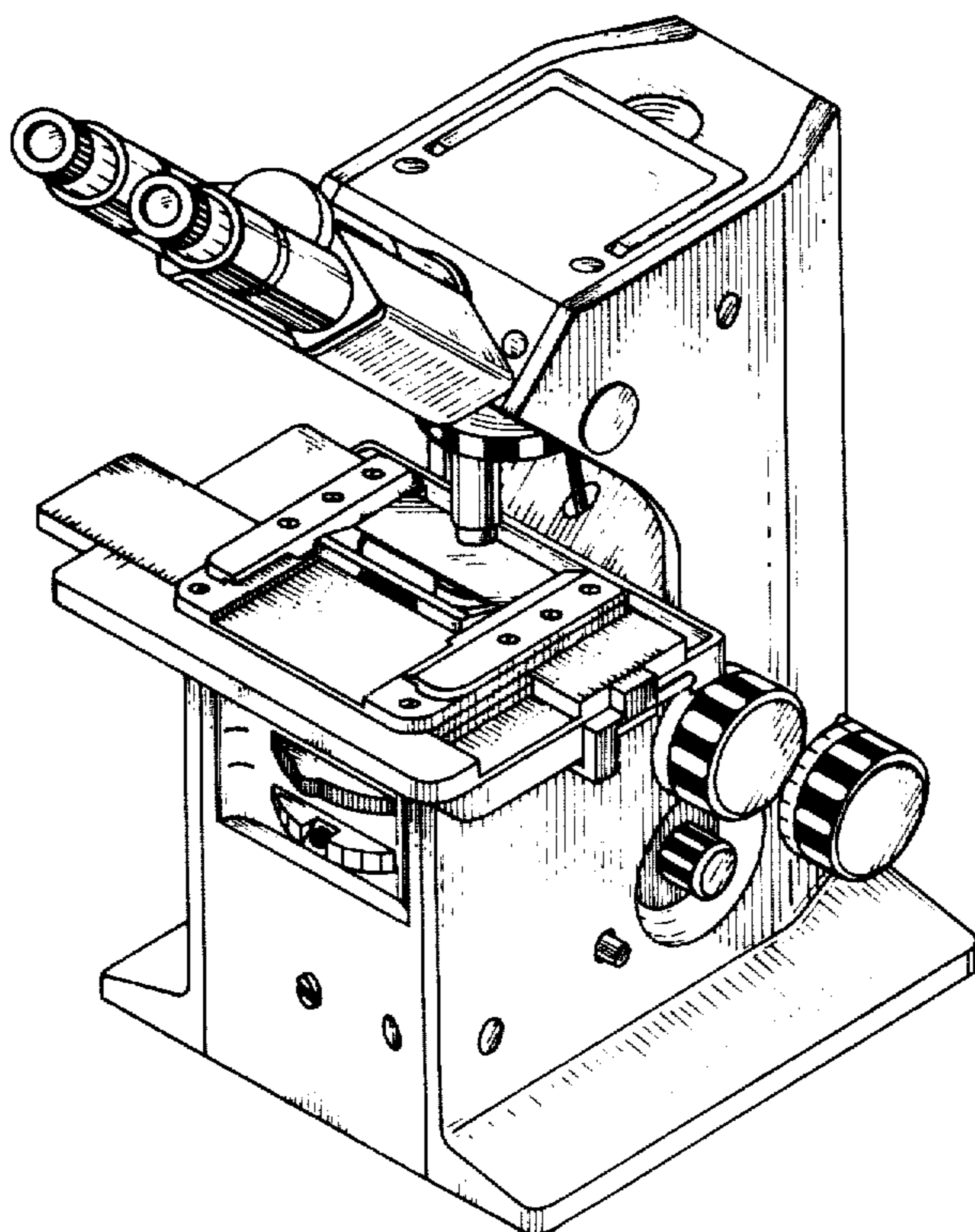


Fig.1

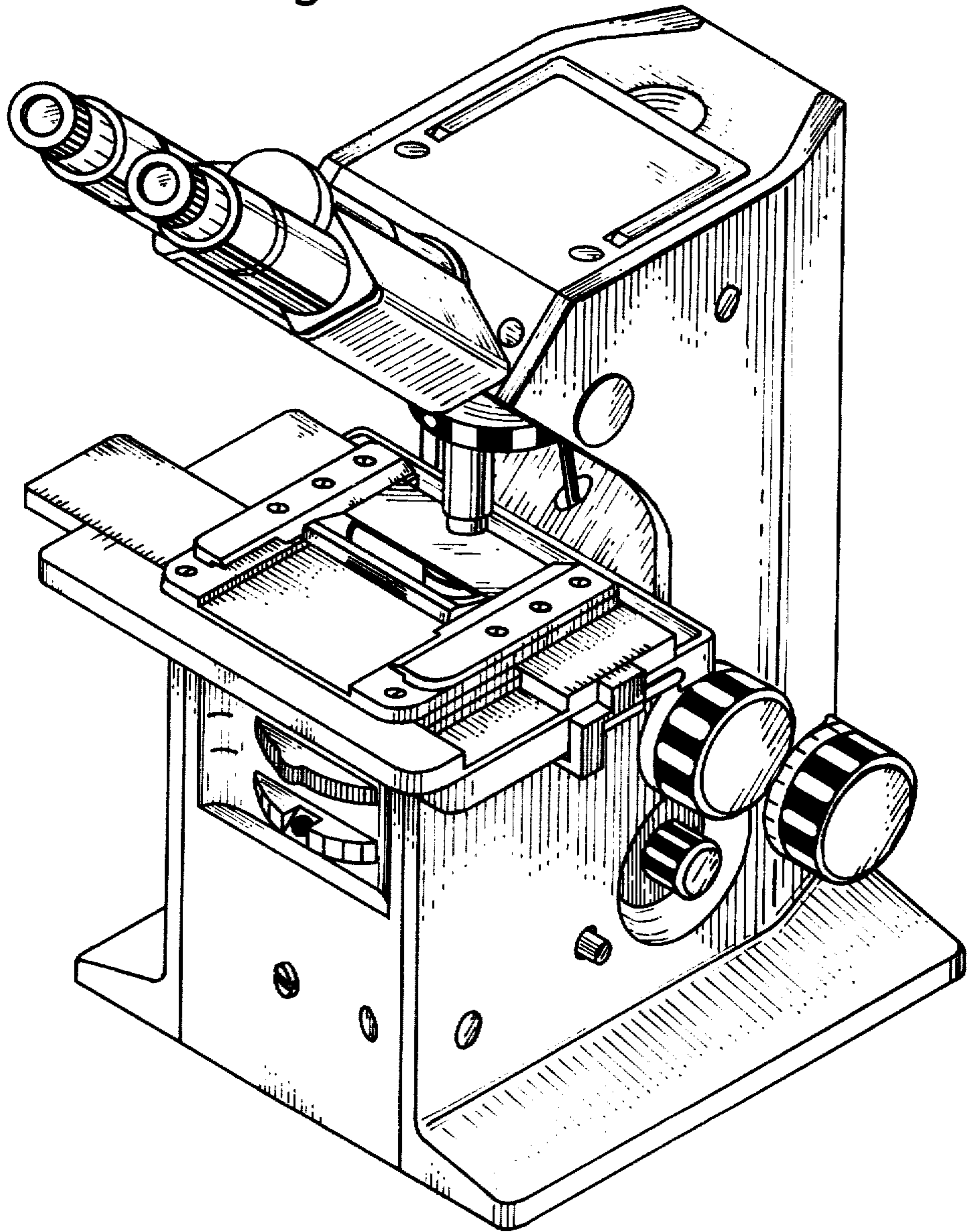


Fig. 2

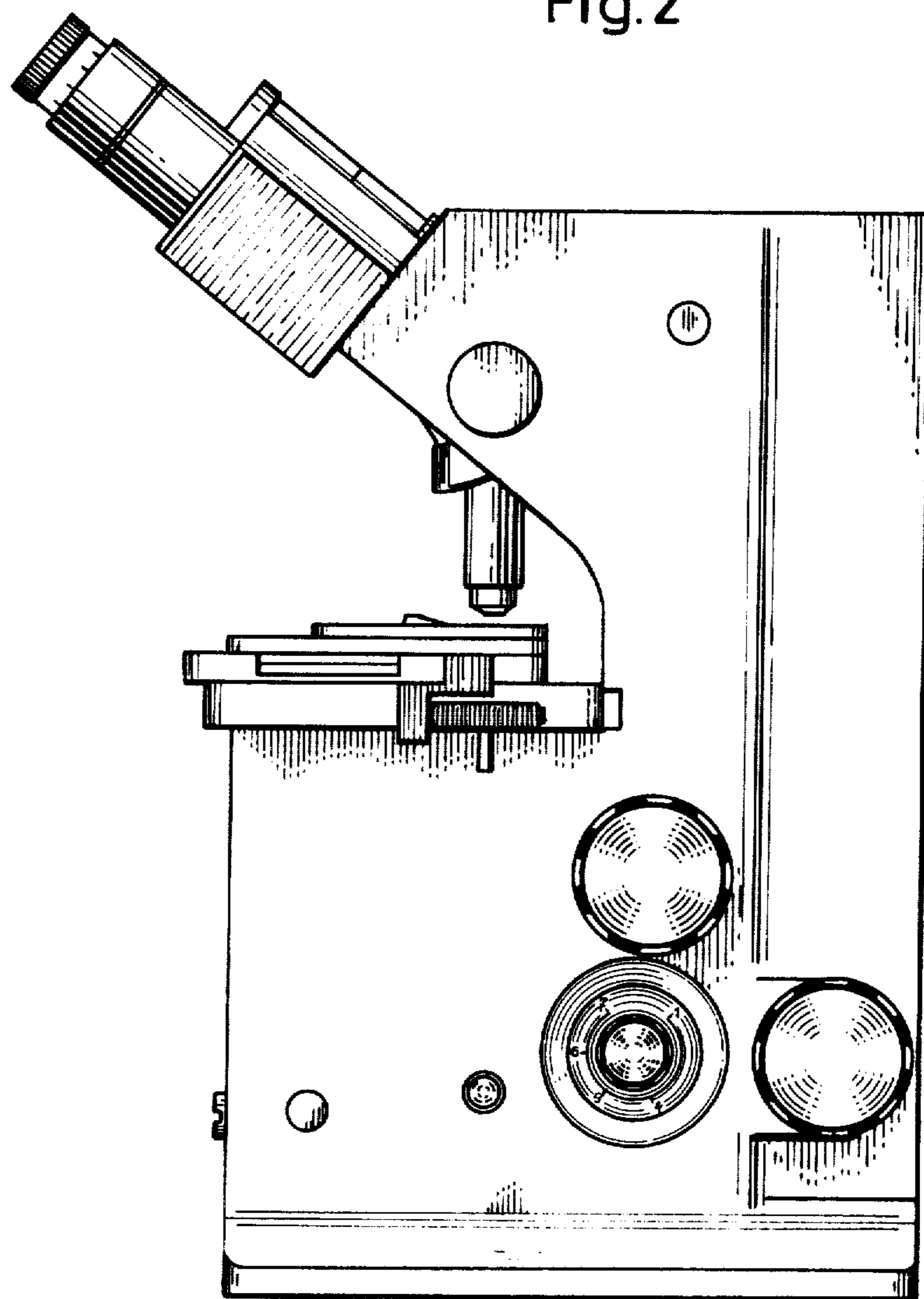




Fig. 3

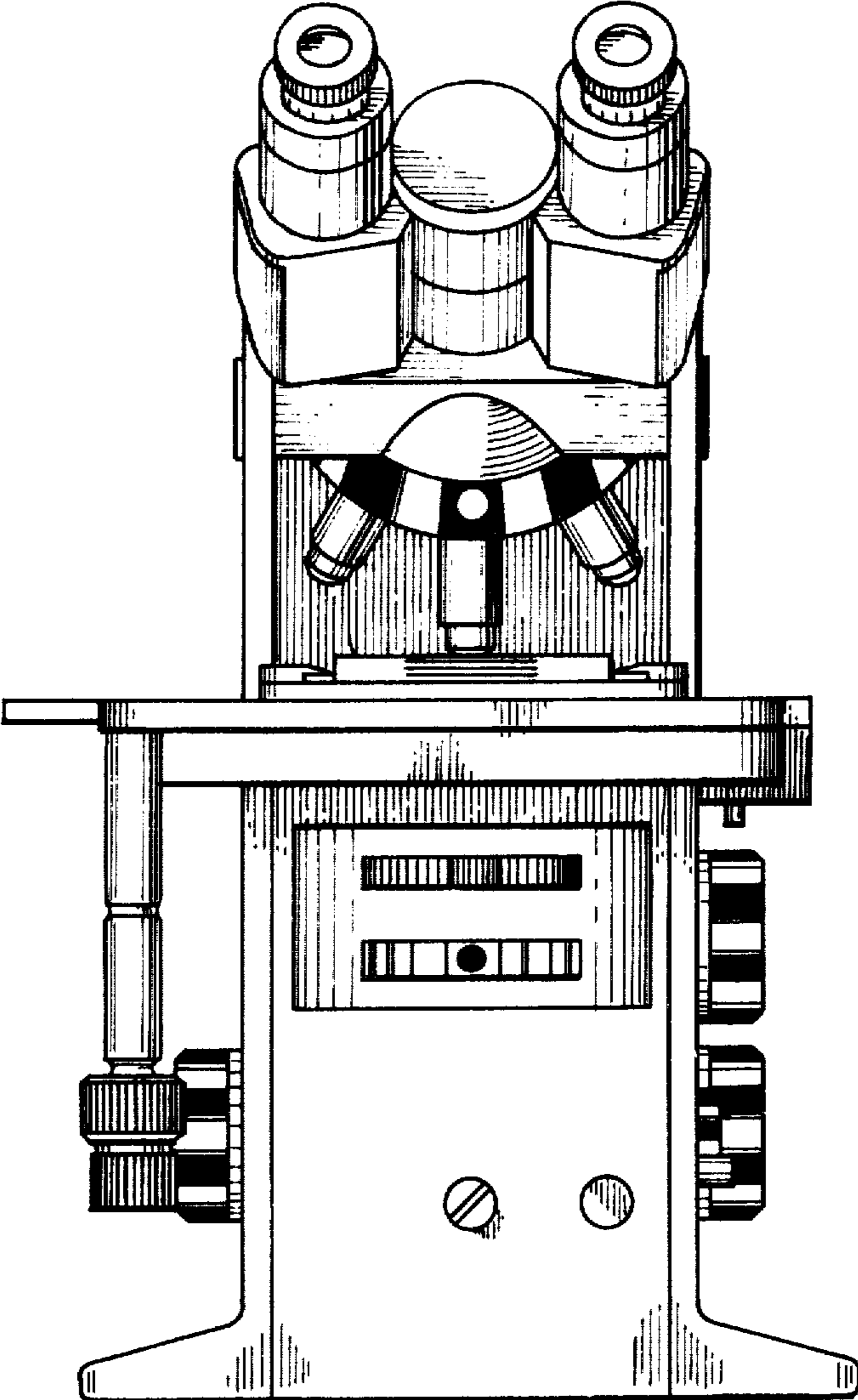


Fig.4

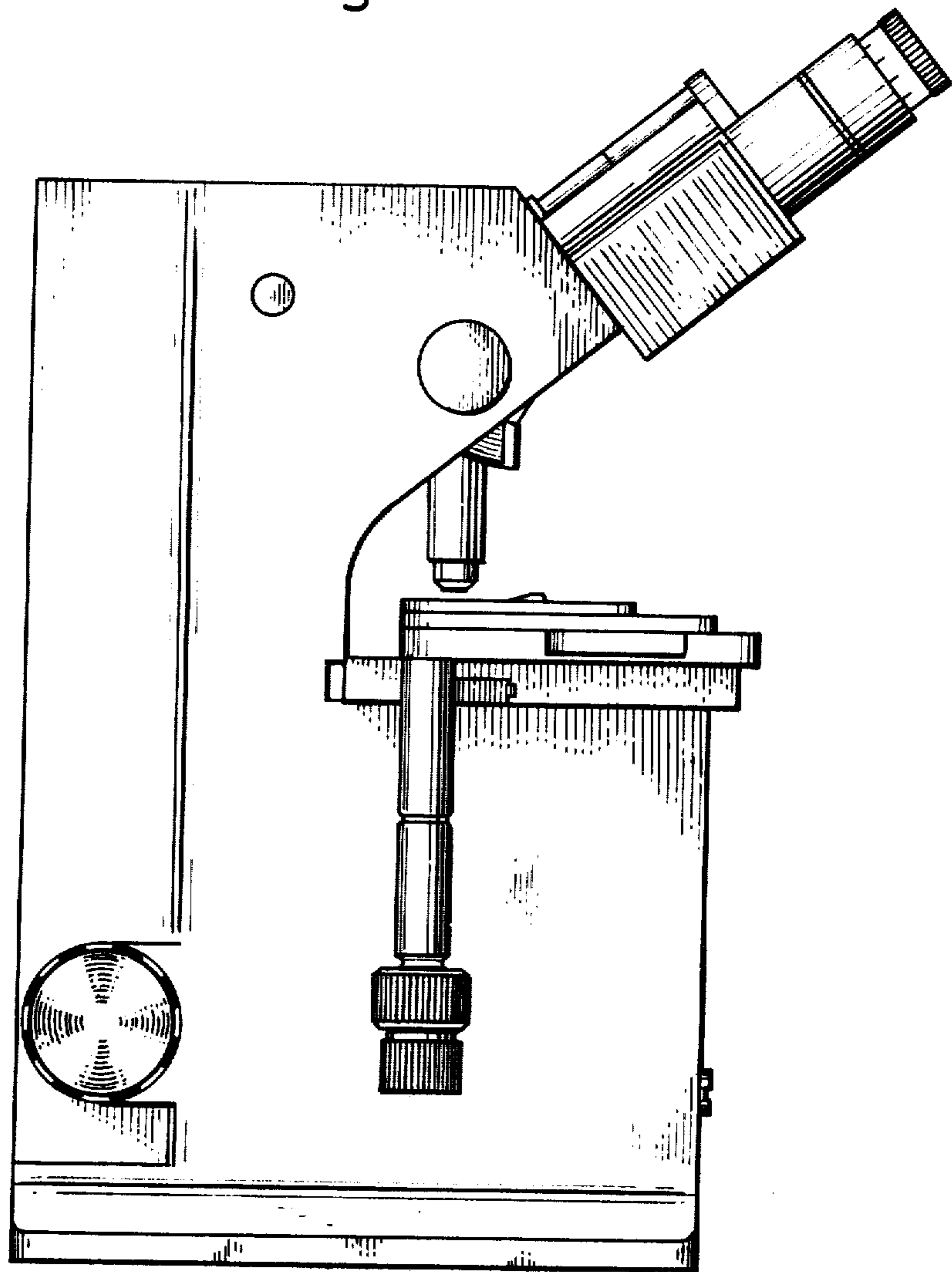
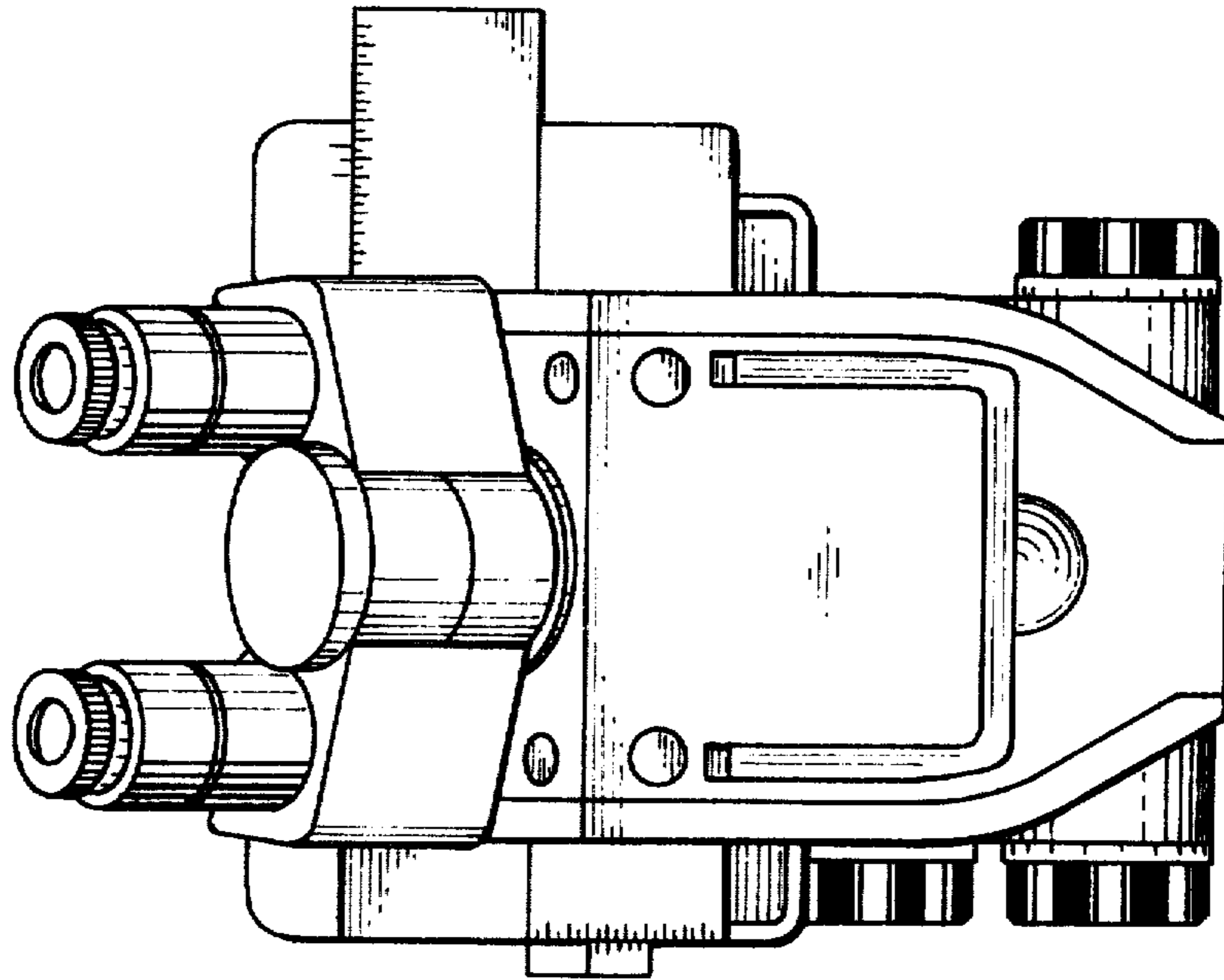


Fig. 5



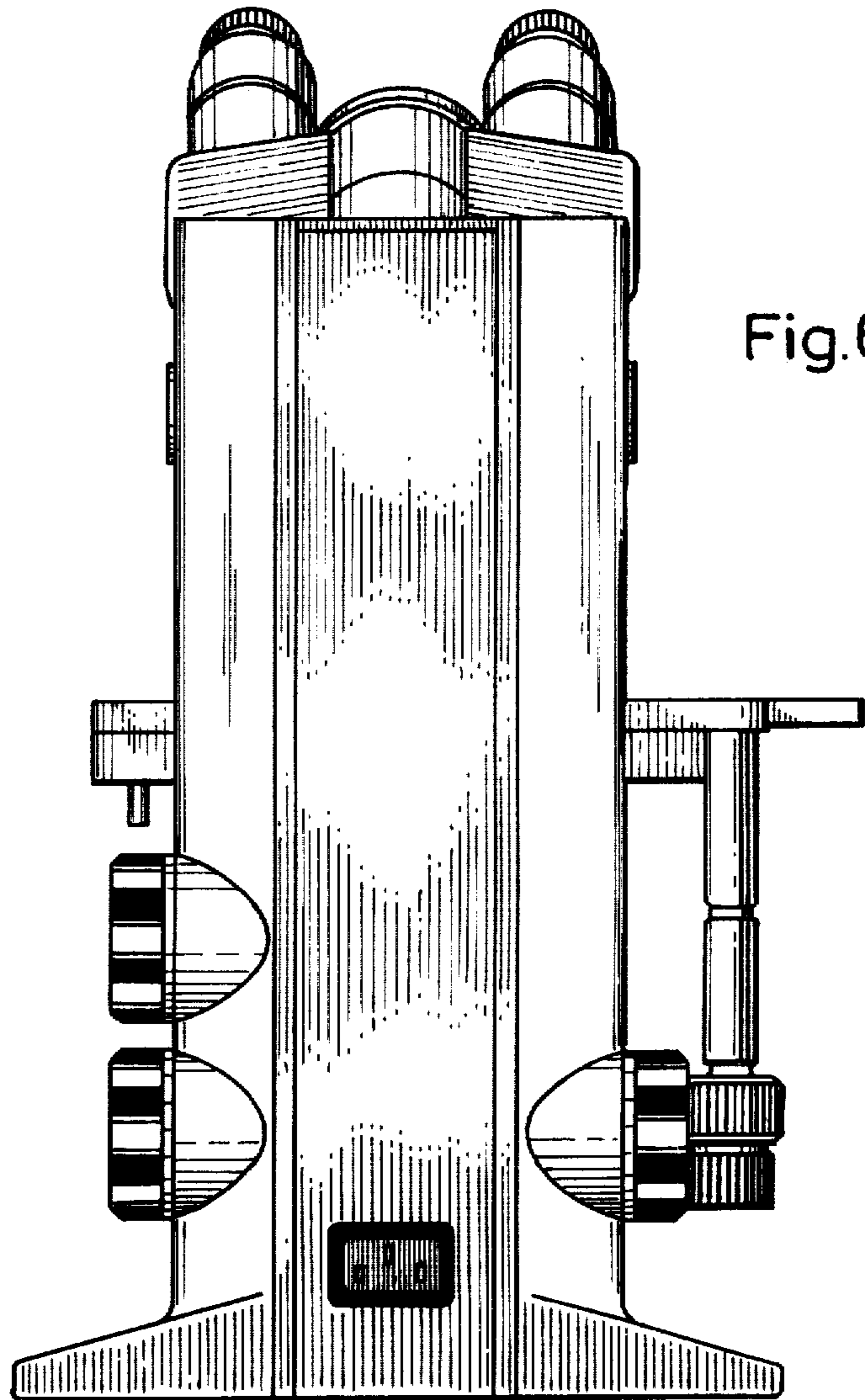


Fig.6