

[54] NUMERICALLY CONTROLLED LATHE

[75] Inventors: Manuel C. Turchan, Dearborn, Mich.; Harry D. Mackie, Palatine, Ill.

[73] Assignee: Turchan, Inc., Dearborn, Mich.

[**] Term: 14 Years

[21] Appl. No.: 164,401

[22] Filed: Jun. 30, 1980

[51] Int. Cl. D15-09

[52] U.S. Cl. D15/130

[58] Field of Search D15/130, 122, 127; 29/27 R; 82/2 R, 2 B

[56] References Cited

U.S. PATENT DOCUMENTS

D. 220,721 5/1971 Stevens D15/130

D. 252,575 8/1979 Simmons D15/130
3,691,879 8/1972 Blake 82/2 B
3,844,186 10/1974 Youden et al. 82/2 R
4,141,278 2/1979 Lieser 82/2 R

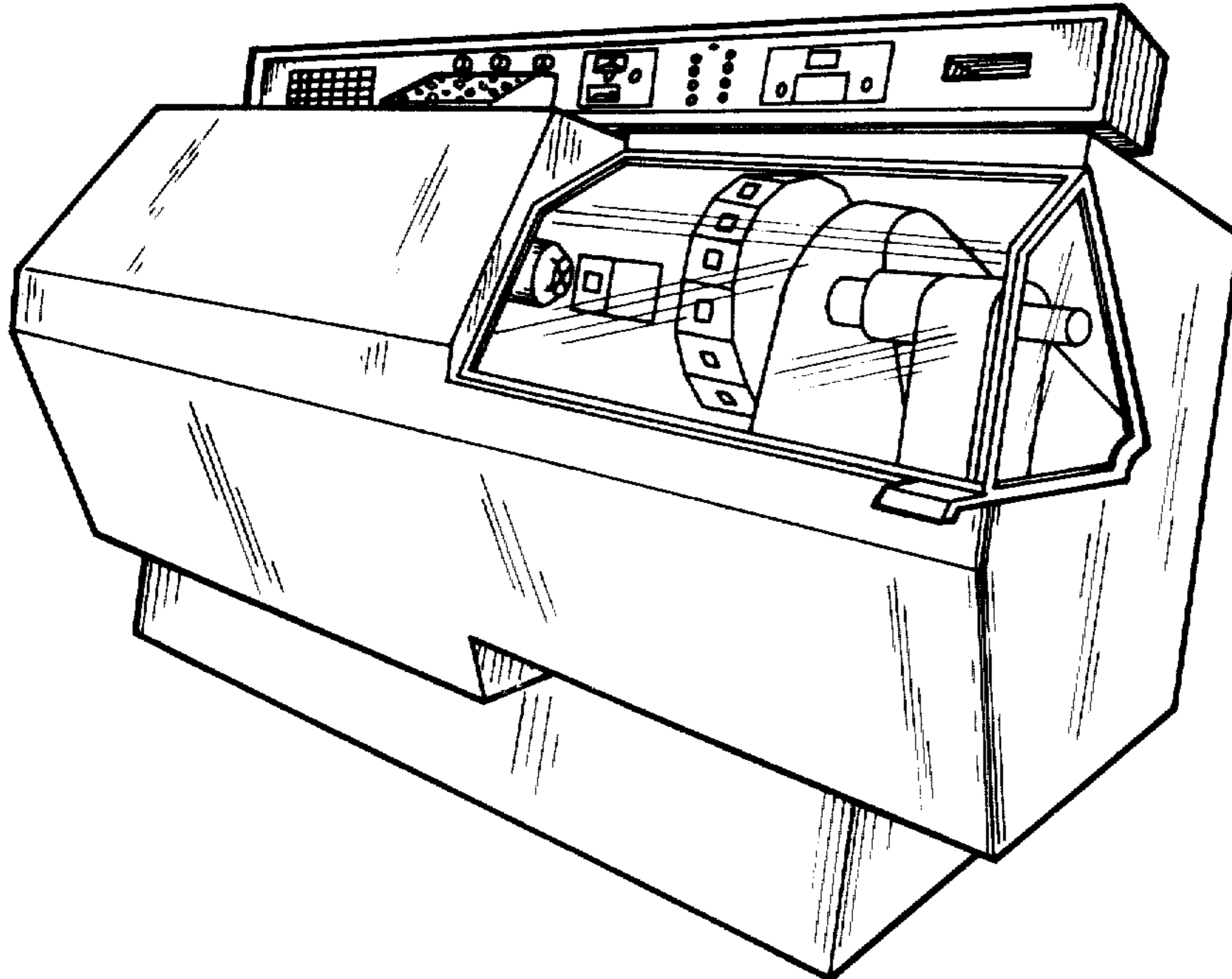
Primary Examiner—B. J. Bullock
Attorney, Agent, or Firm—Krass, Young & Schivley

[57] CLAIM

The ornamental design for a numerically controlled lathe, as shown and described.

DESCRIPTION

FIG. 1 is a front perspective view of a numerically controlled lathe showing our new design; FIG. 2 is a side view taken from the right of FIG. 1; FIG. 3 is a front view; FIG. 4 is a top view; FIG. 5 is a rear view; FIG. 6 is a bottom view; and FIG. 7 is a side view taken from the left of FIG. 1.



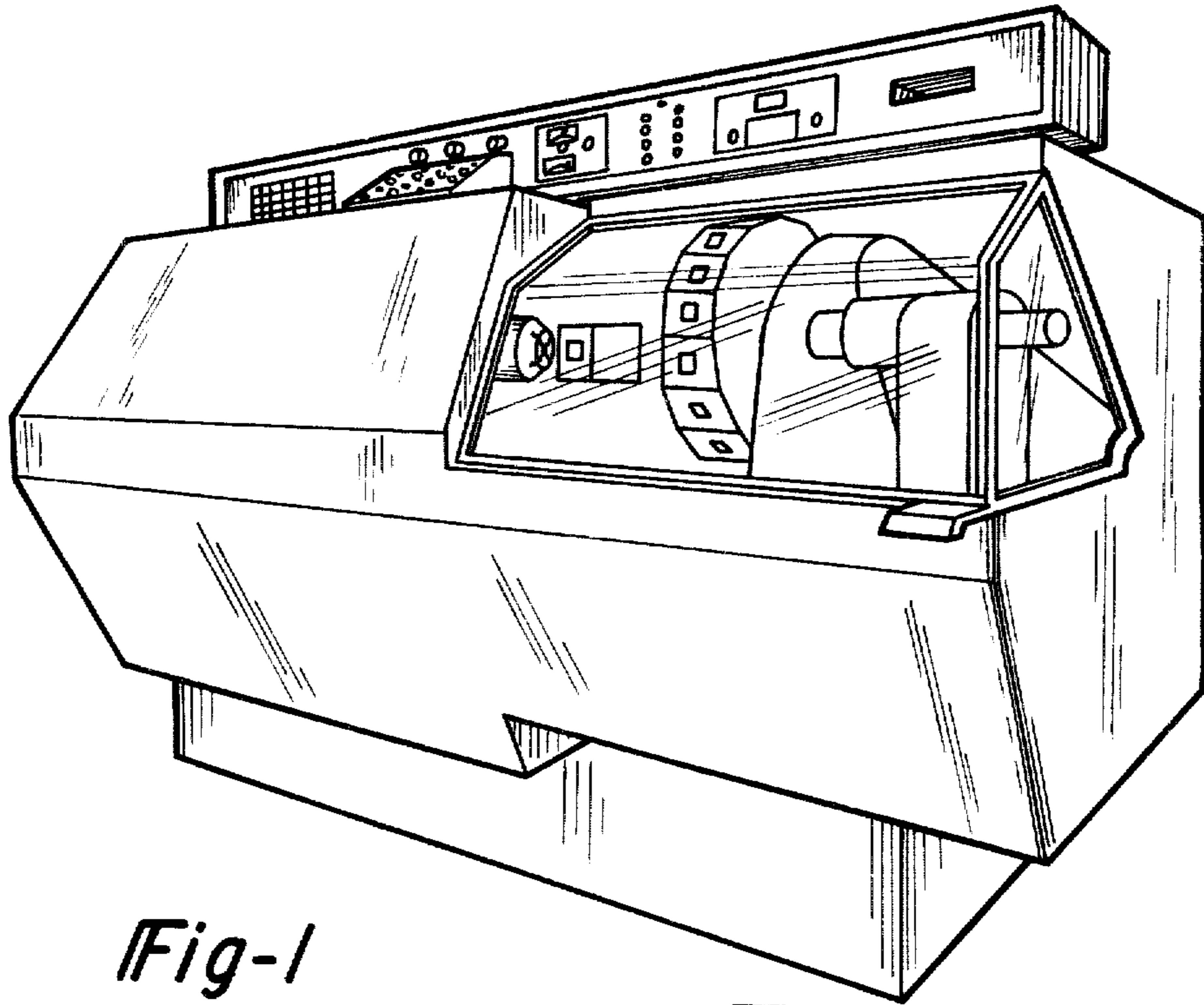


Fig-1

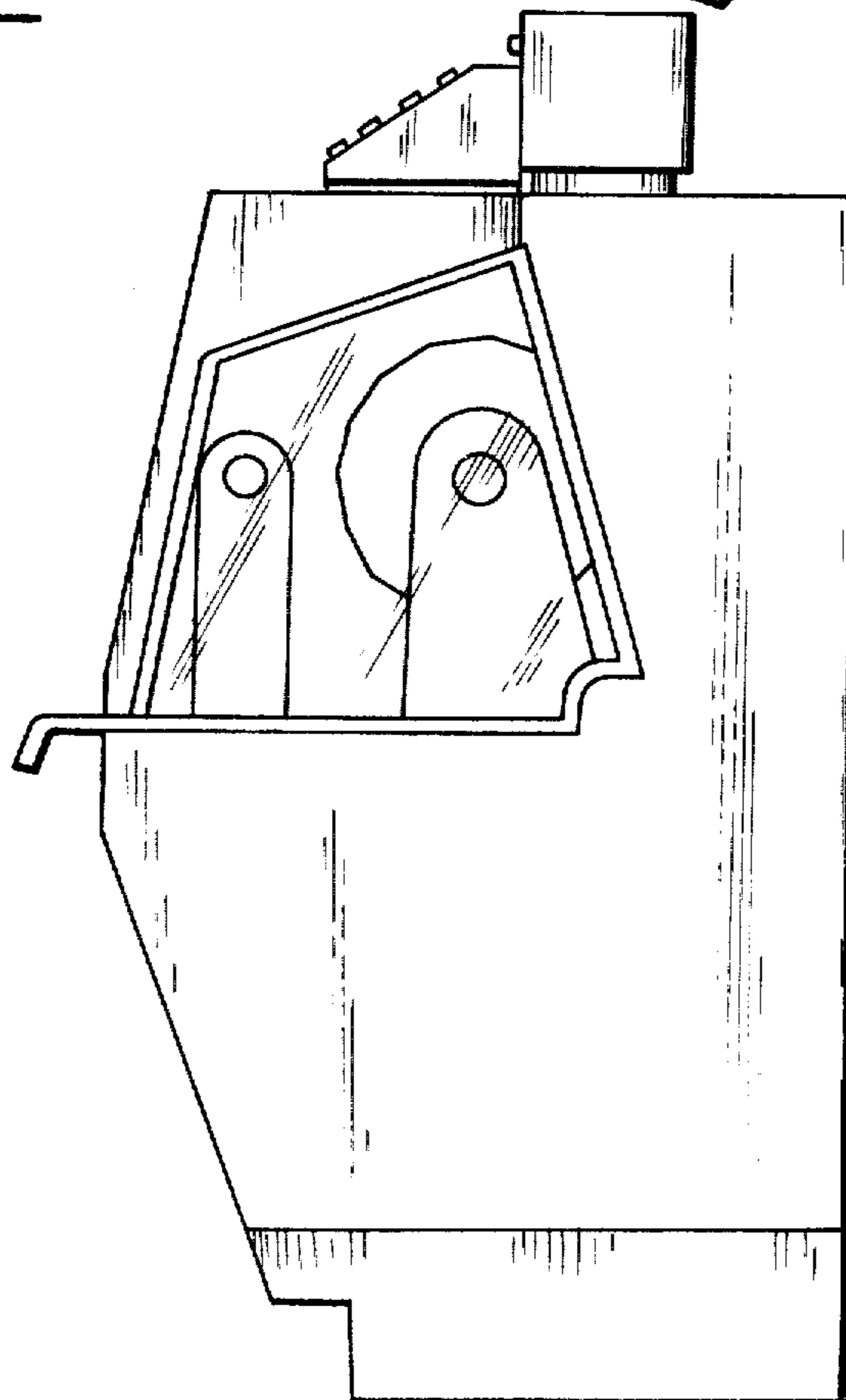
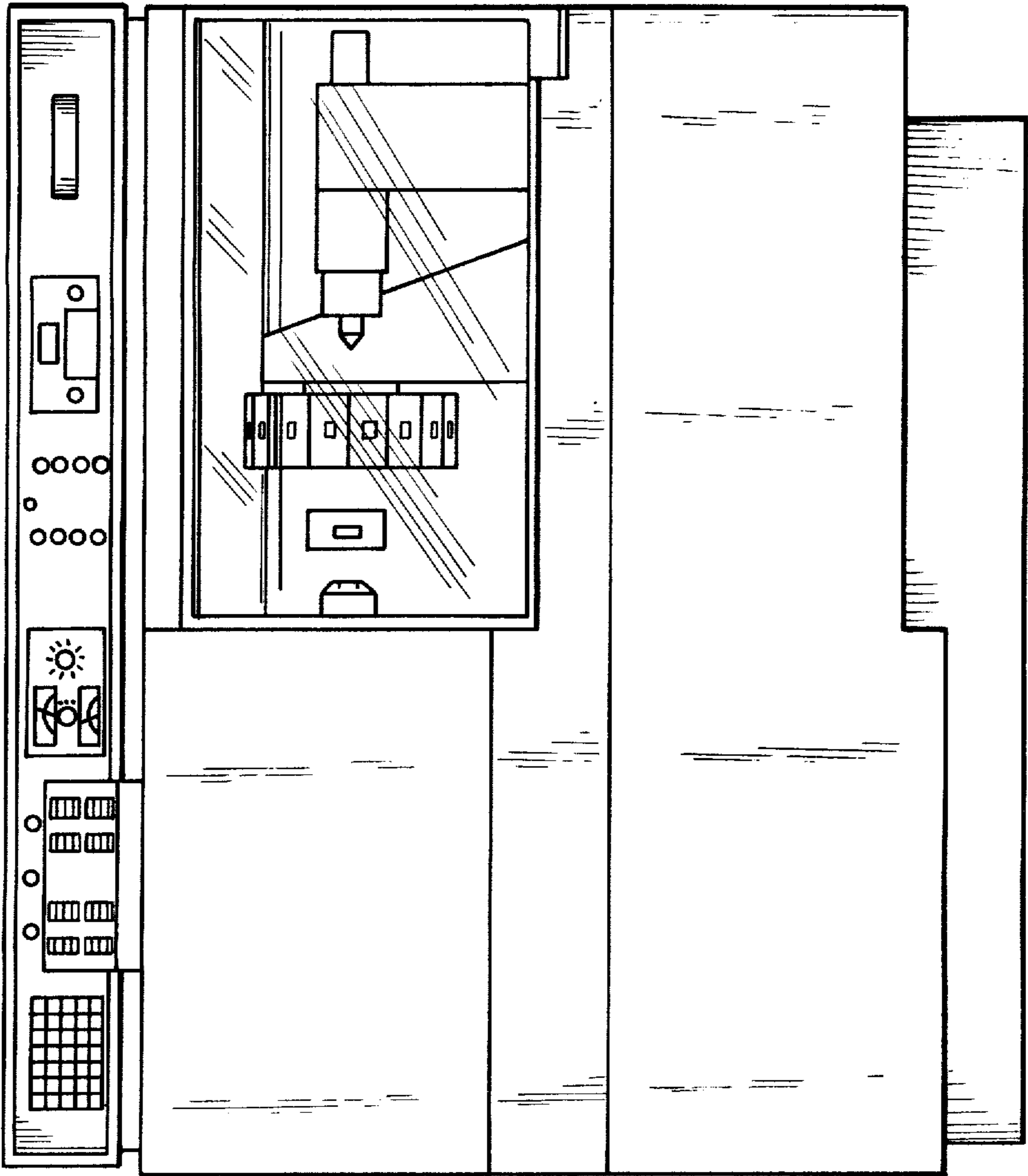


Fig-2

Fig-3



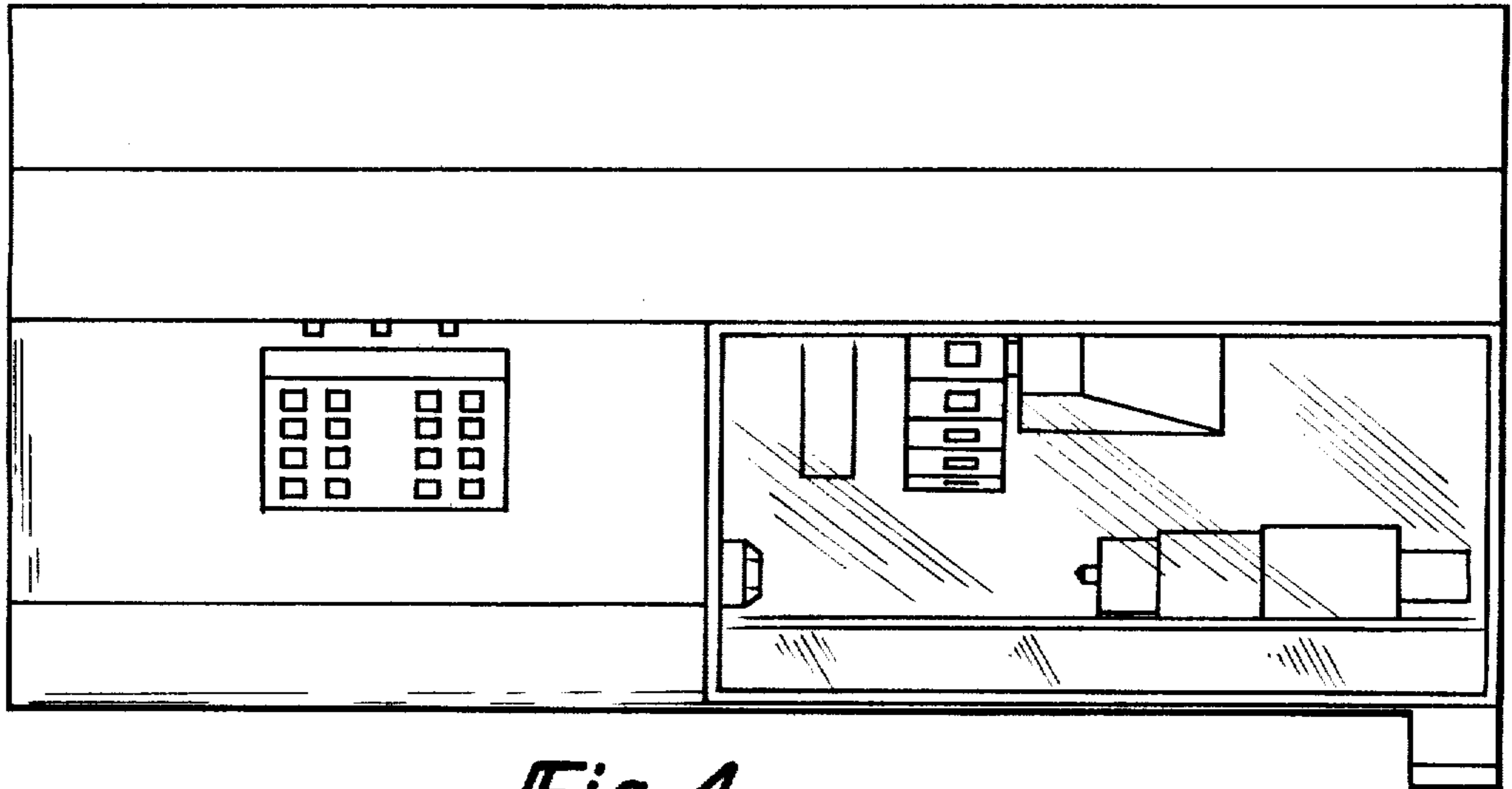
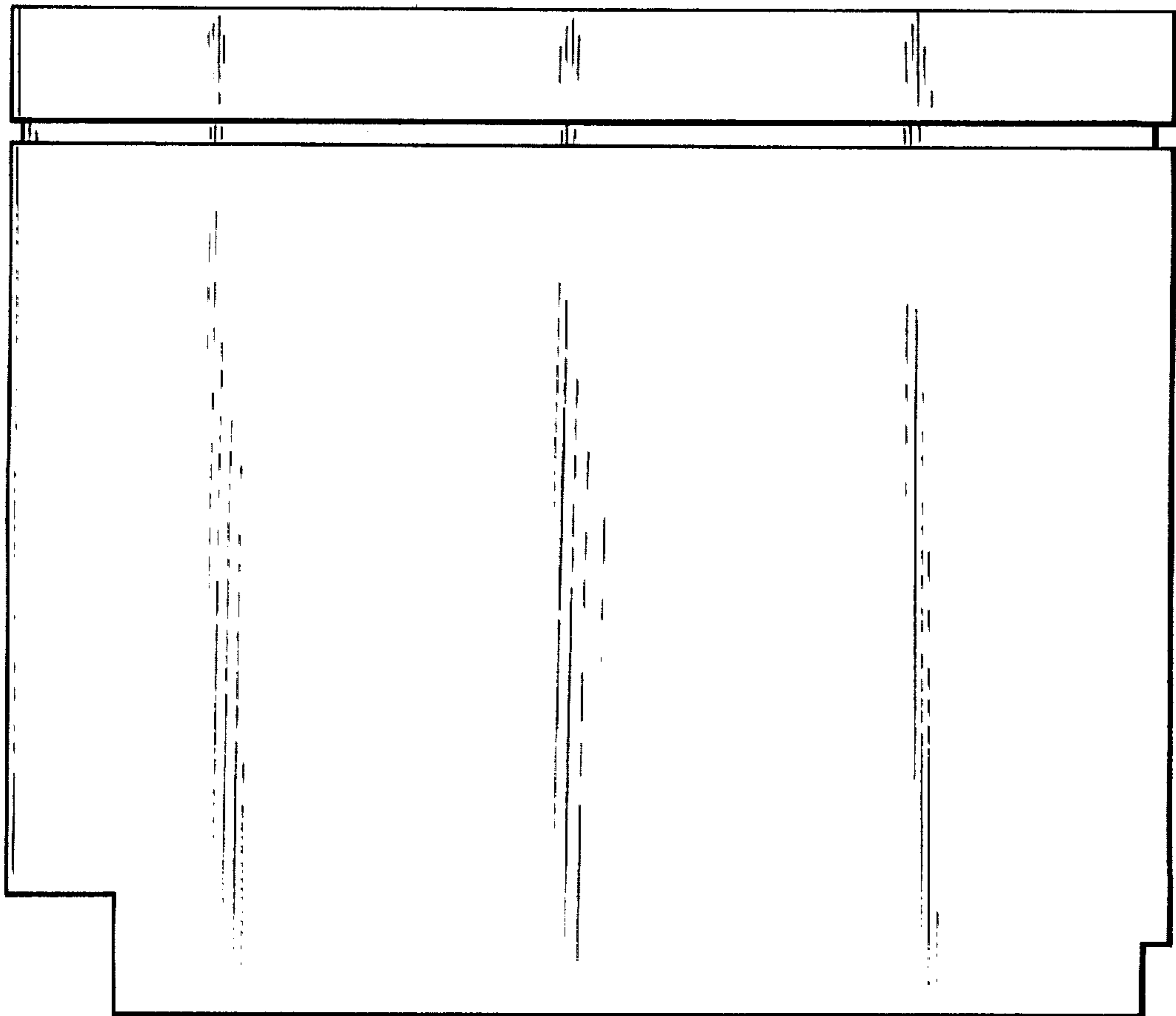


Fig-4

Fig-5



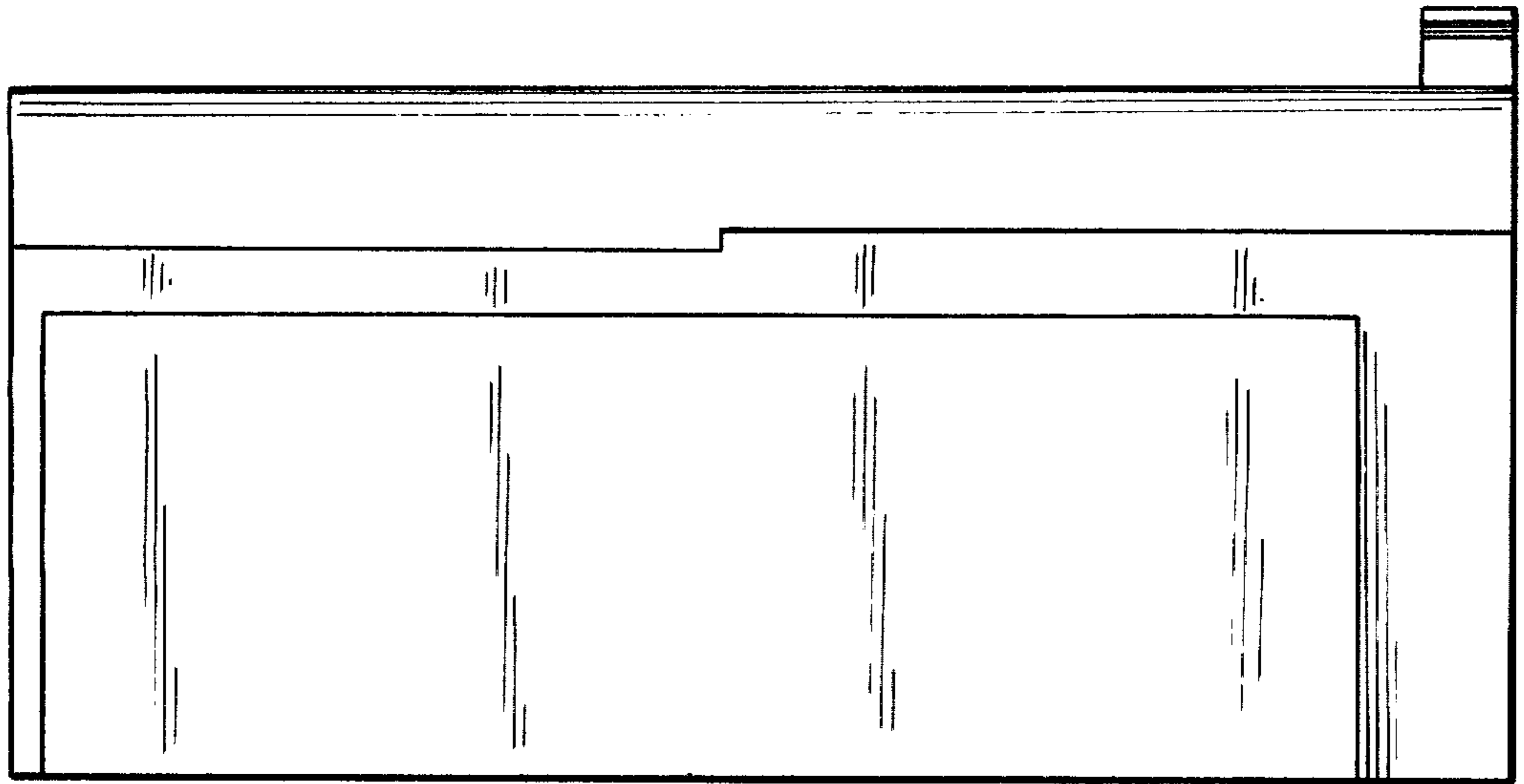


Fig-6

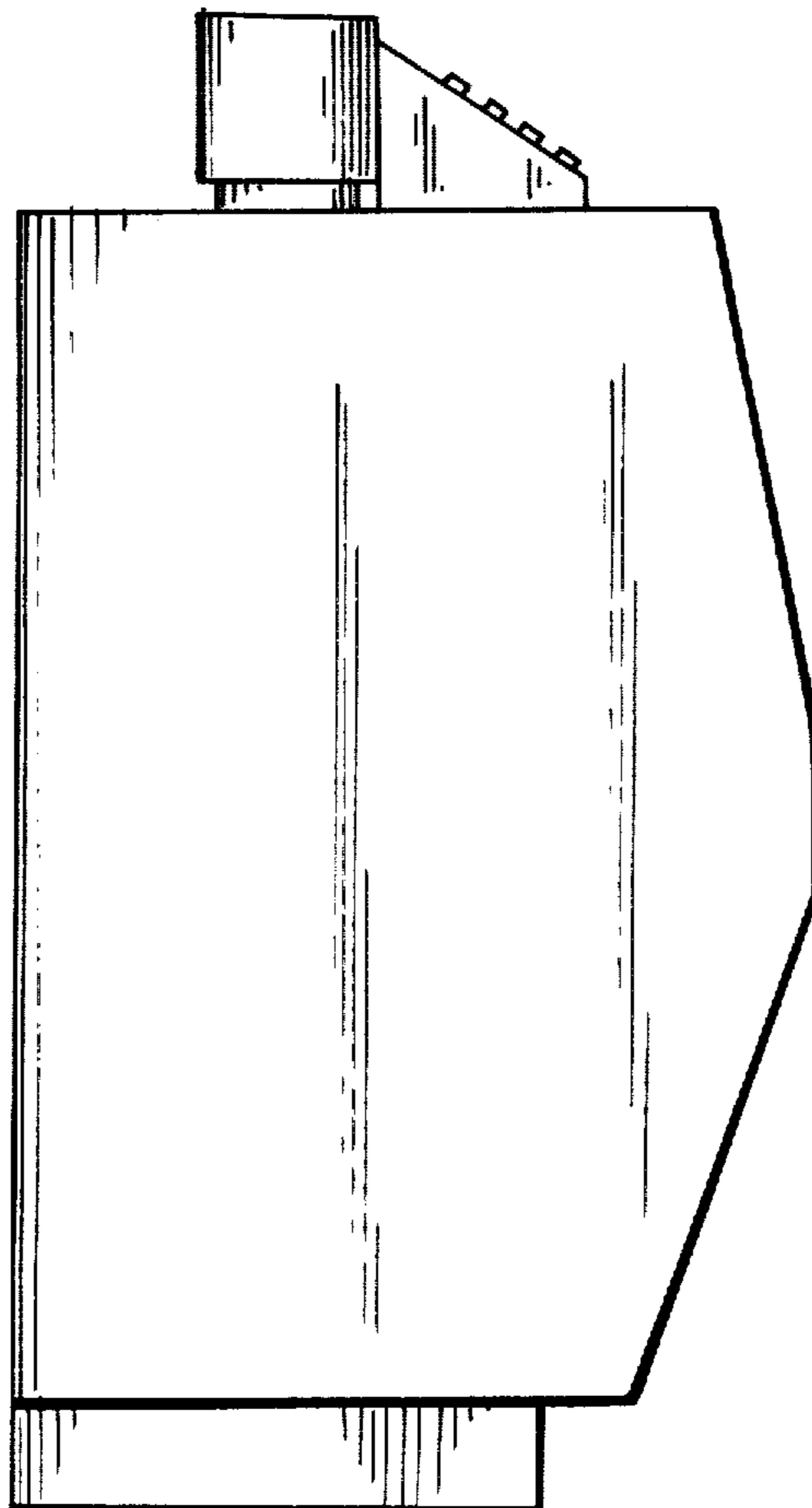


Fig-7