

[54] ELECTRONIC POWER AMPLIFIER

[75] Inventor: Hari Matsuda, Skokie, Ill.  
[73] Assignee: International Jensen Incorporated,  
Schiller Park, Ill.  
[\*\*] Term: 14 Years  
[21] Appl. No.: 149,454  
[22] Filed: May 13, 1980

[51] Int. Cl. .... D14-03  
[52] U.S. Cl. .... D14/96  
[58] Field of Search ..... D14/96, 72, 68-71,  
D14/99; D13/11; 361/390, 331; 307/150, 152;  
325/352, 355; 330/65, 84, 207 R

[56] References Cited

U.S. PATENT DOCUMENTS

D. 238,789	2/1976	Ross	.....	D14/96
D. 244,616	6/1977	Sizer	.....	D14/96
D. 252,810	9/1979	Bocko	.....	D14/96
D. 259,789	7/1981	Watanabe	.....	D14/96

OTHER PUBLICATIONS

Radio Shack, ©1979, Cat. 315, p. 68, Power Booster,  
Item No. 12-1877.

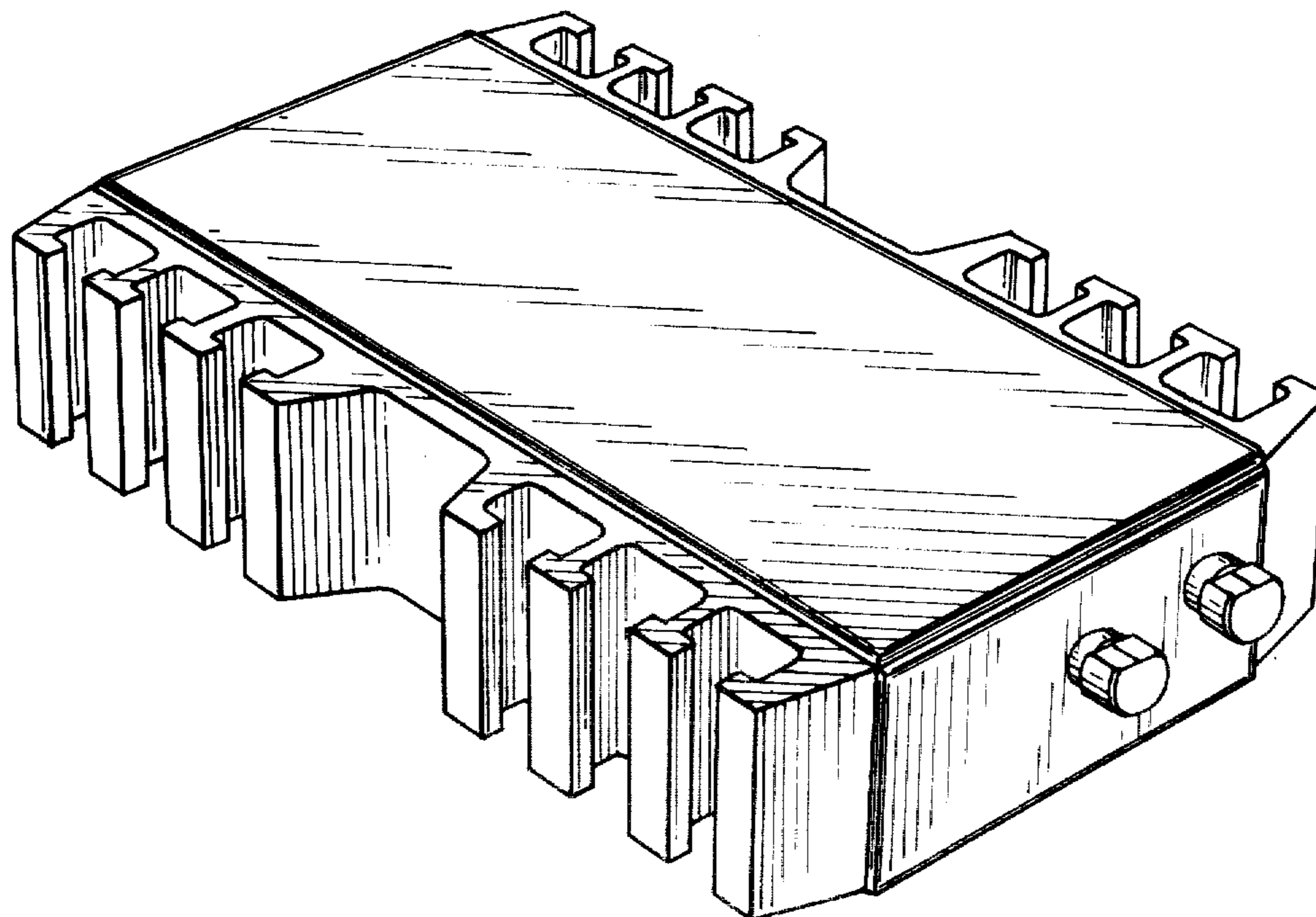
Primary Examiner—Bernard Ansher  
Attorney, Agent, or Firm—Howard H. Darbo

[57] CLAIM

The ornamental design for an electronic power amplifier, as shown and described.

DESCRIPTION

FIG. 1 is a top perspective view of an electronic power amplifier showing my new design; FIG. 2 is a top plan view thereof; FIG. 3 is a right side view thereof; FIG. 4 is a front view thereof; FIG. 5 is a rear view thereof; FIG. 6 is a top perspective view thereof showing a modified embodiment of my new design; FIG. 7 is a top plan view thereof; FIG. 8 is a right side view thereof; FIG. 9 is a front view thereof, and FIG. 10 is a rear view thereof.



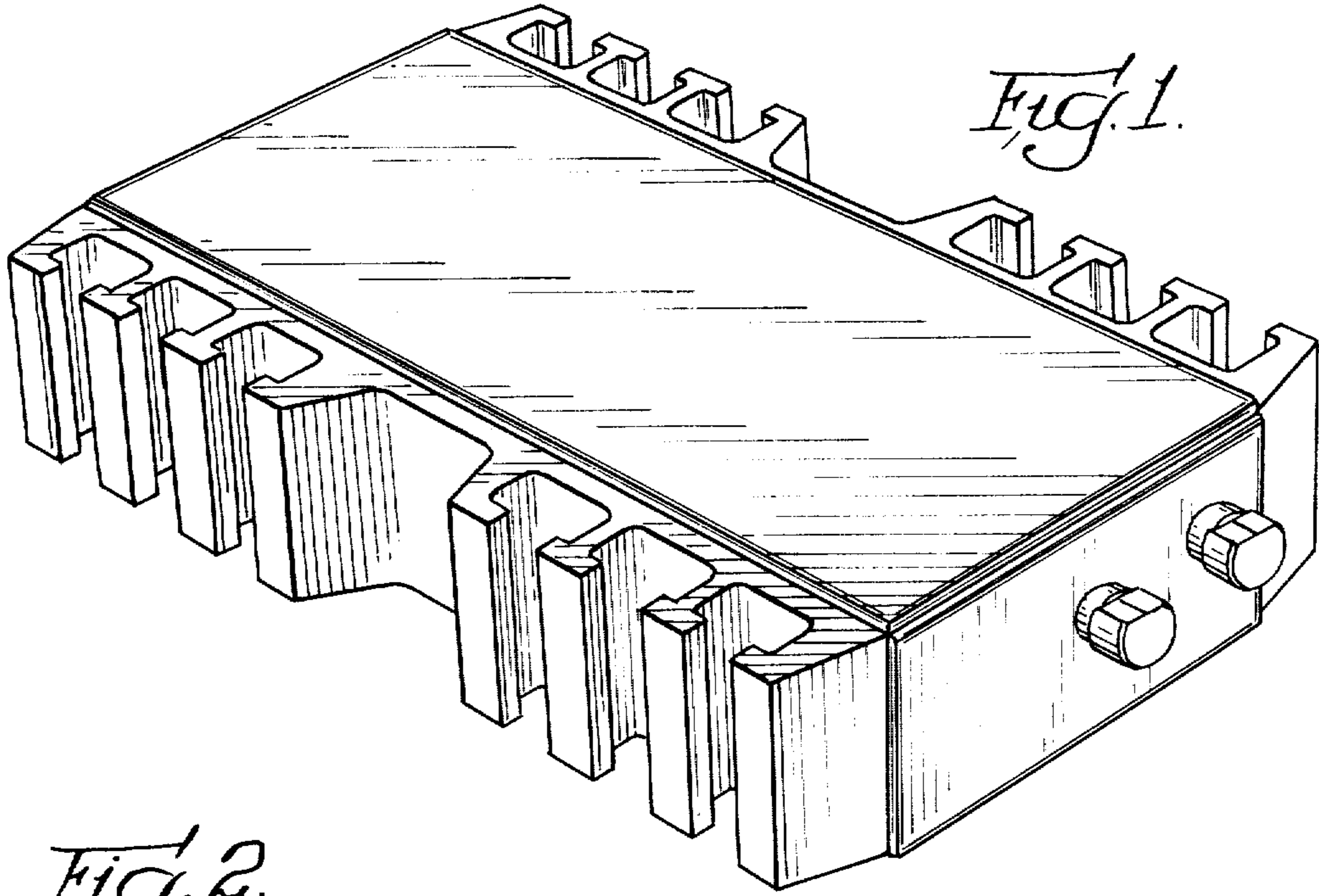


Fig. 2.

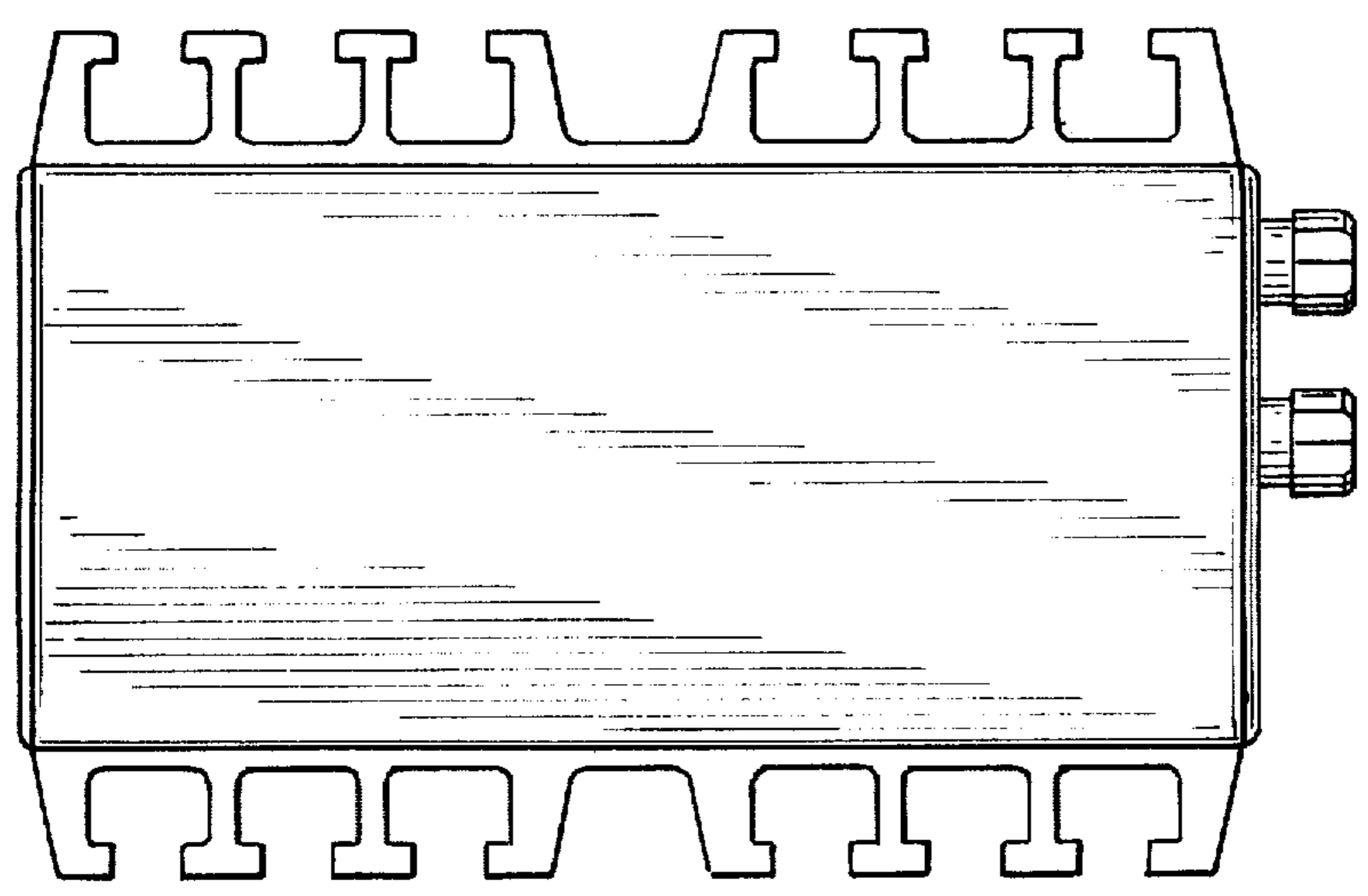


Fig. 4.

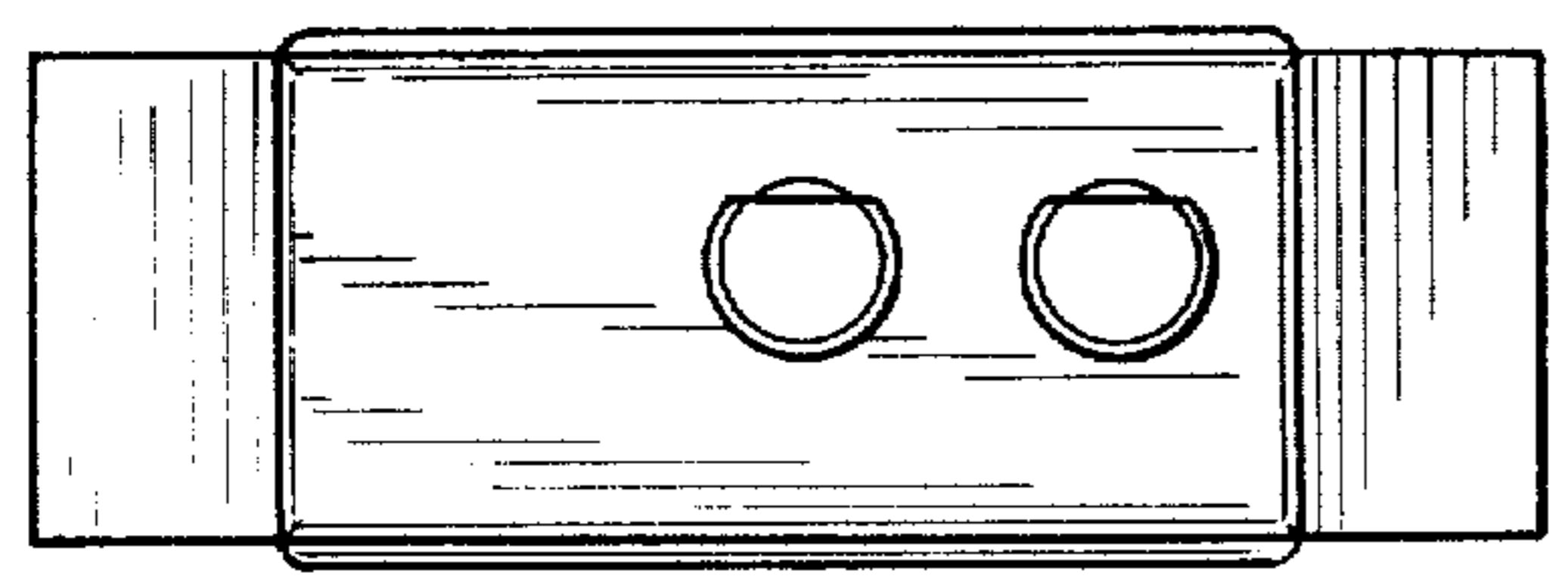
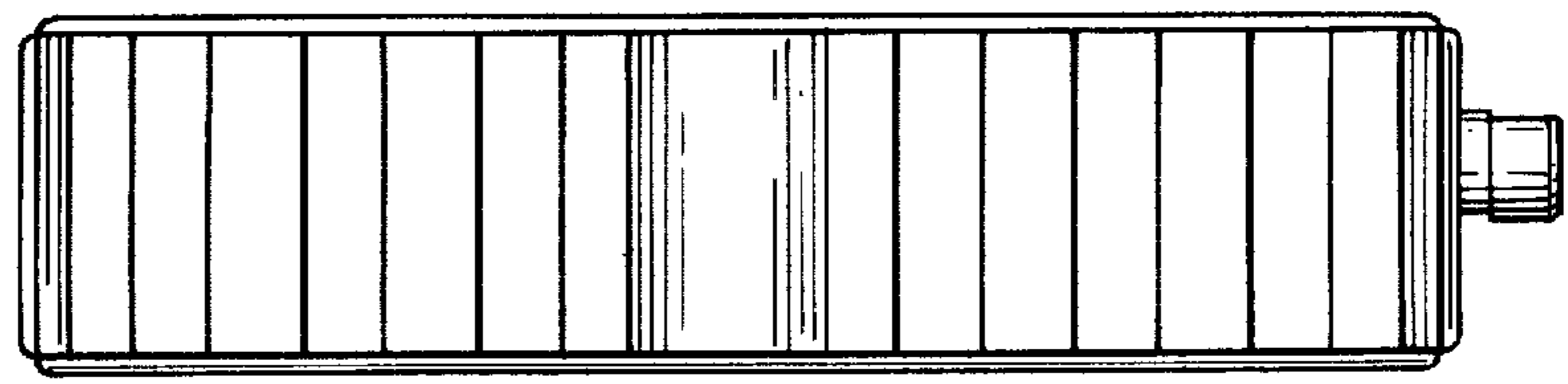
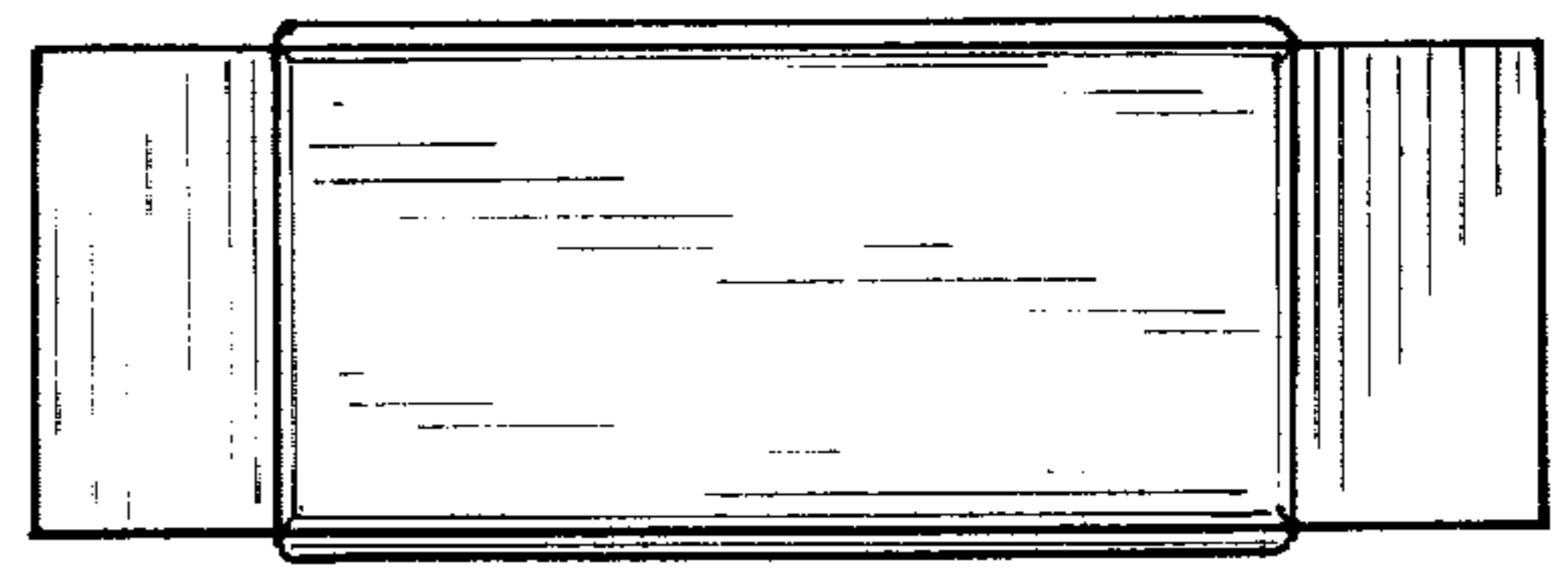


Fig. 5.



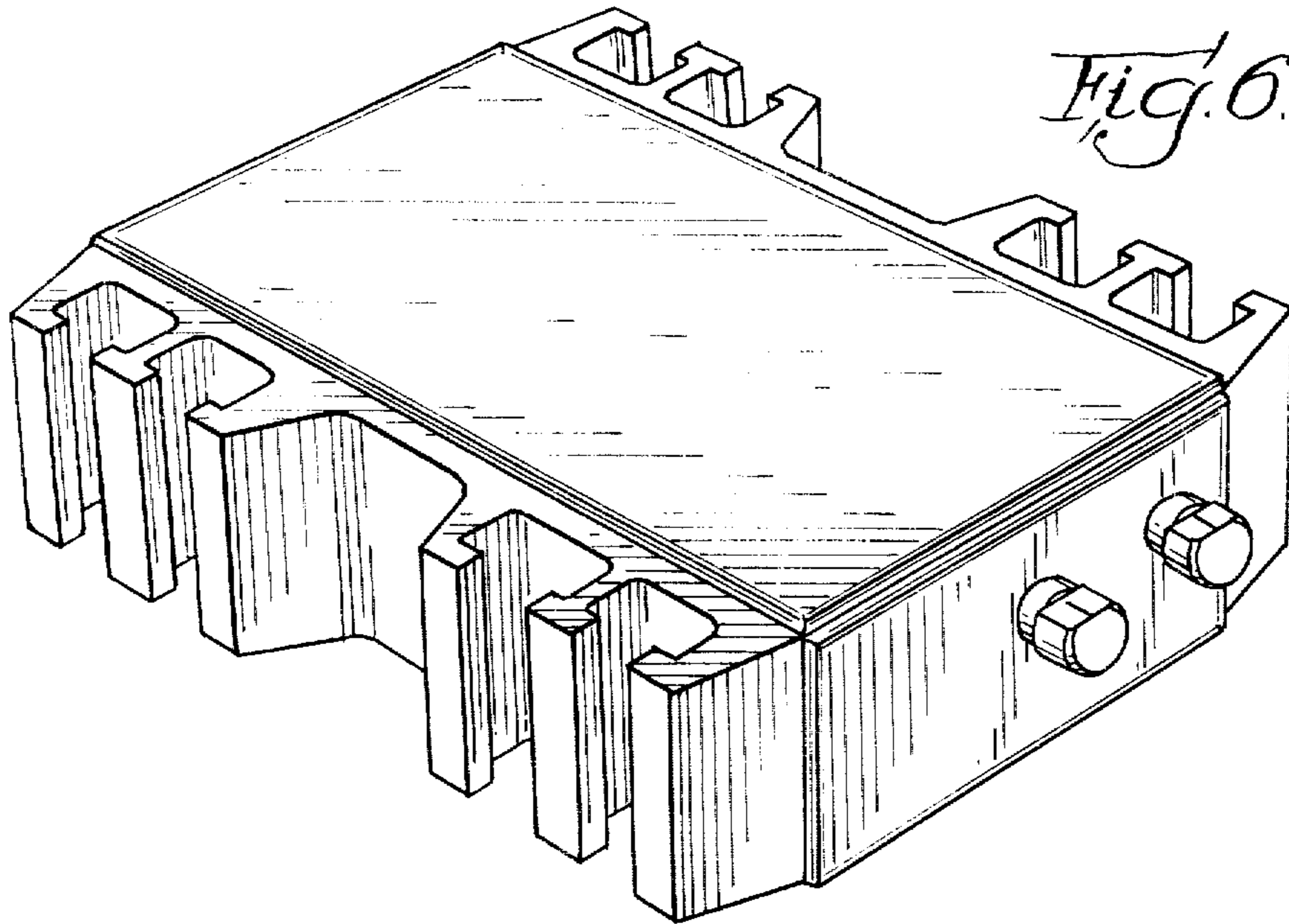


Fig. 7.

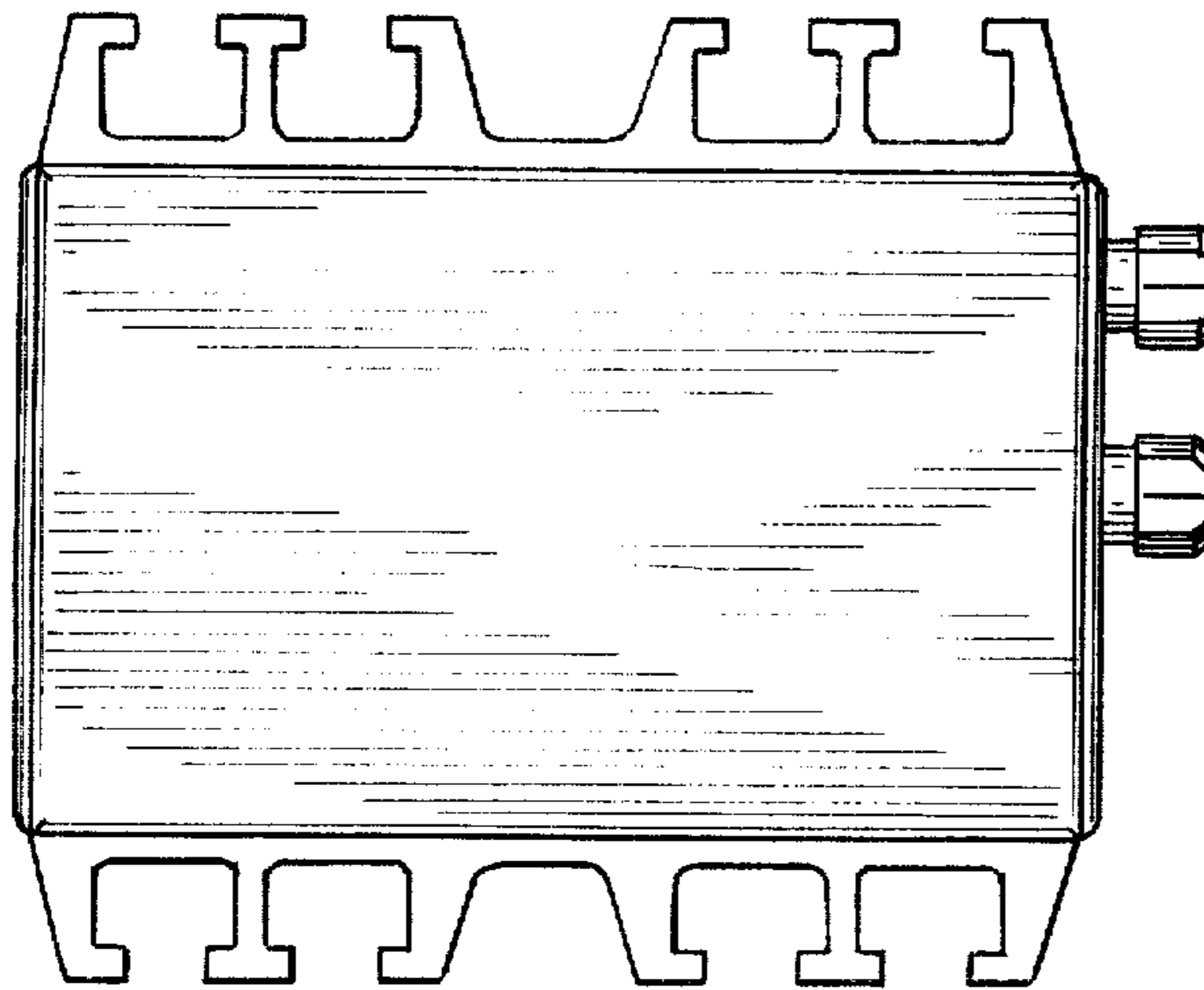


Fig. 8.

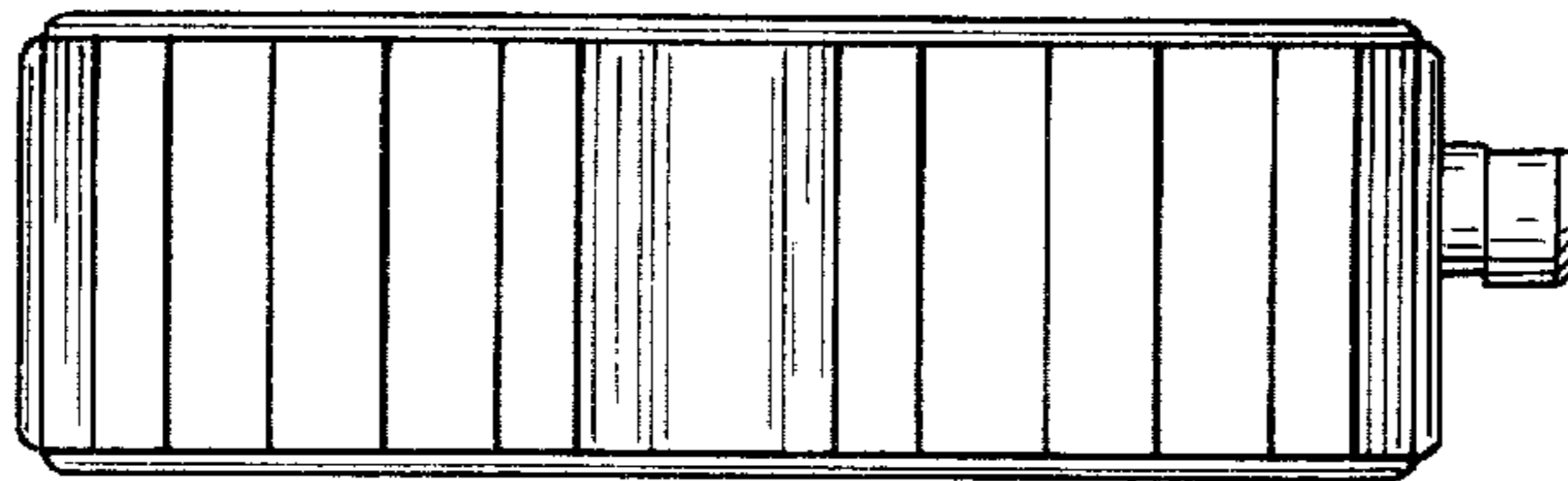


Fig. 9.

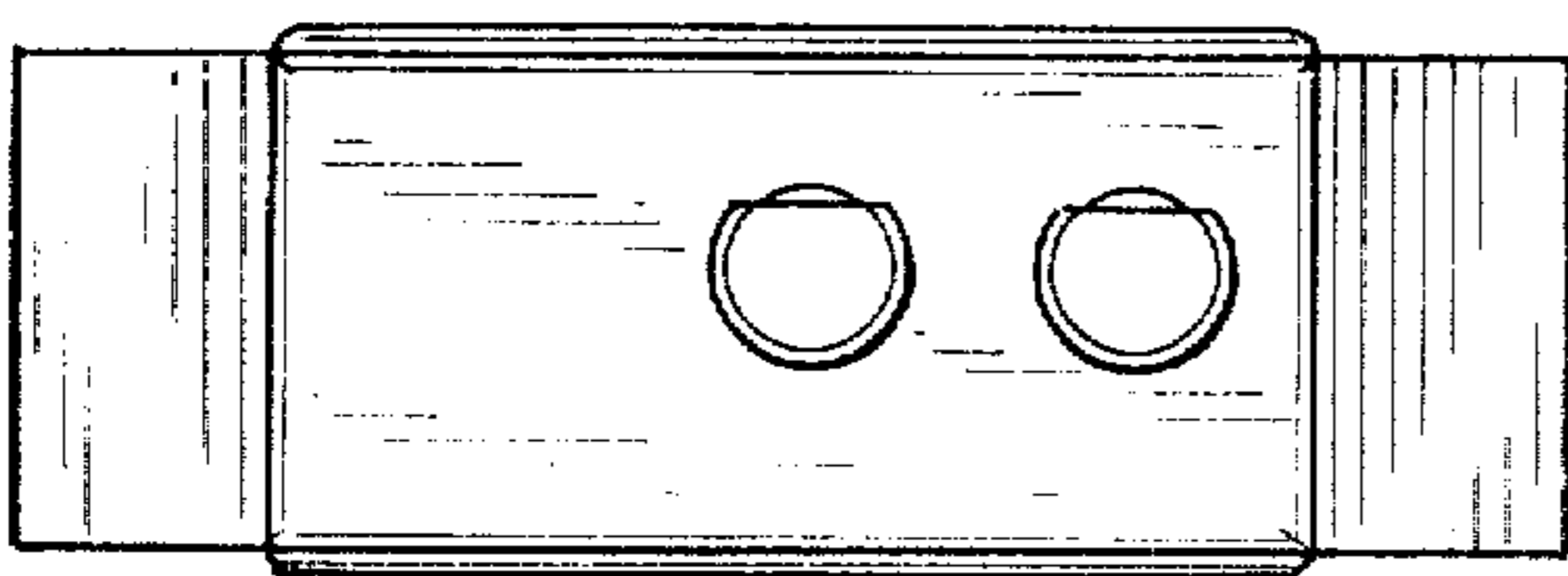


Fig. 10.

