

[54] COMBINED RADIO RECEIVER AND TAPE RECORDER

[75] Inventors: **Katsutoshi Kido**, Kyoto; **Satoru Usami**, Hirakata, both of Japan

[73] Assignee: **Matsushita Electric Industrial Co., Ltd.**, Osaka, Japan

[\*\*] Term: **14 Years**

[21] Appl. No.: **192,403**

[22] Filed: **Sep. 30, 1980**

[30] Foreign Application Priority Data

Apr. 2, 1980 [JP] Japan ..... 55-13165

[51] Int. Cl. .... **D14-01; D14-03**

[52] U.S. Cl. .... **D14/5; D14/70**

[58] Field of Search ..... **D14/1, 2, 5, 6, 10, D14/39, 68, 70-76, 79, 99**

[56] References Cited PUBLICATIONS

Panasonic Consumer Electronics 1974 Brochure, p. 43, Item #RS-451S.  
Circuit City 11-19-78 Supplement to *Washington Post*, p. 55, Superscope Model #CRS-2020.  
W. Bell & Co. 1979 Cat., ©1978, p. 283, Item "G", Panasonic Item.  
Evans 1979-1980 Cat., p. 250x, Item #1, Lloyd's Item.

*Primary Examiner*—Jane E. Corrigan  
*Attorney, Agent, or Firm*—Sughrue, Mion, Zinn, Macpeak and Seas

[57] CLAIM

The ornamental design for a combined radio receiver and tape recorder, as shown.

DESCRIPTION

FIG. 1 is a front, top and right side perspective view of a combined radio receiver and tape recorder showing our new design;  
FIG. 2 is a rear, bottom and left side perspective view thereof;  
FIG. 3 is a top plan view thereof; and  
FIG. 4 is a right side elevational view thereof.

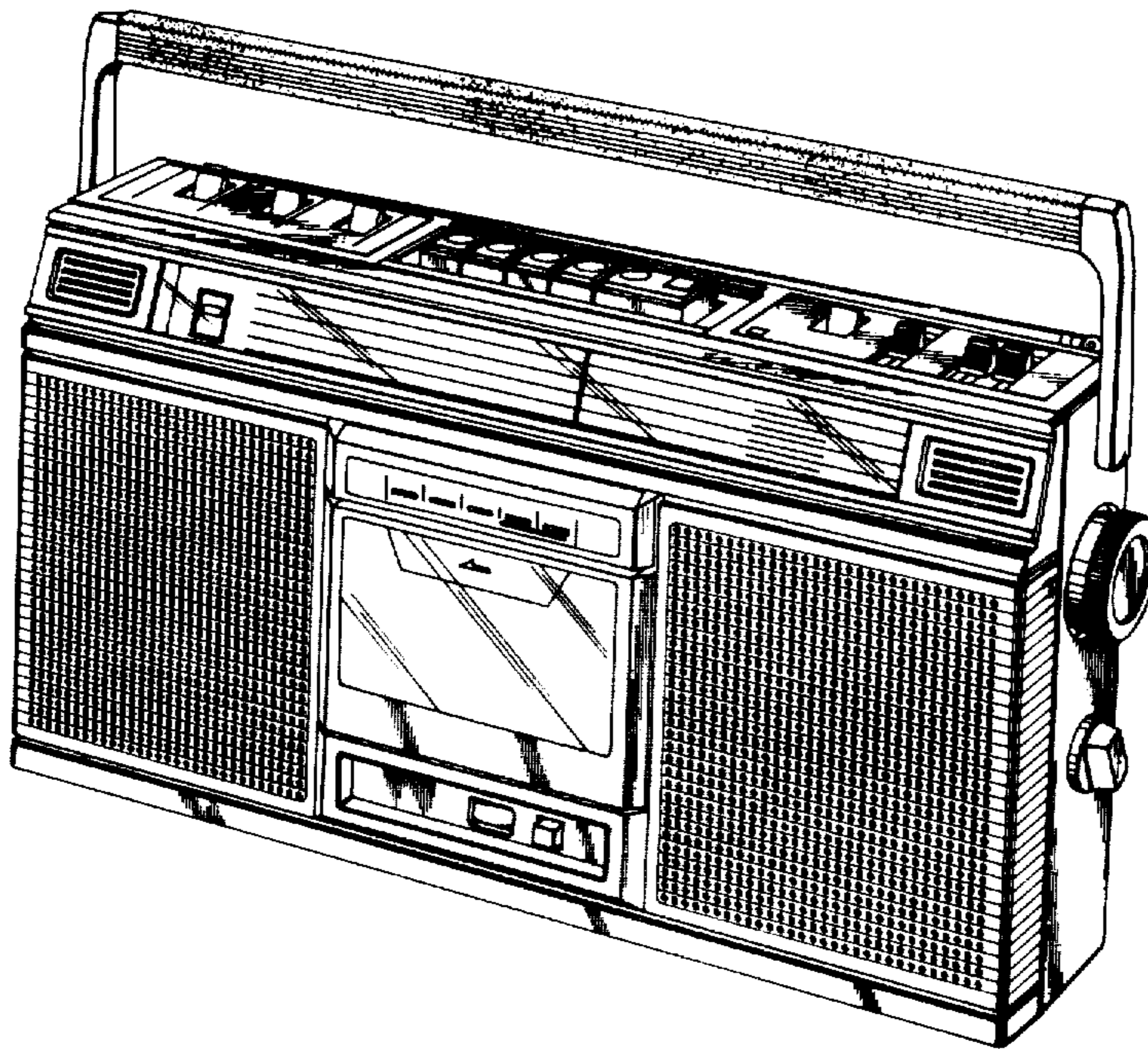


FIG. 1

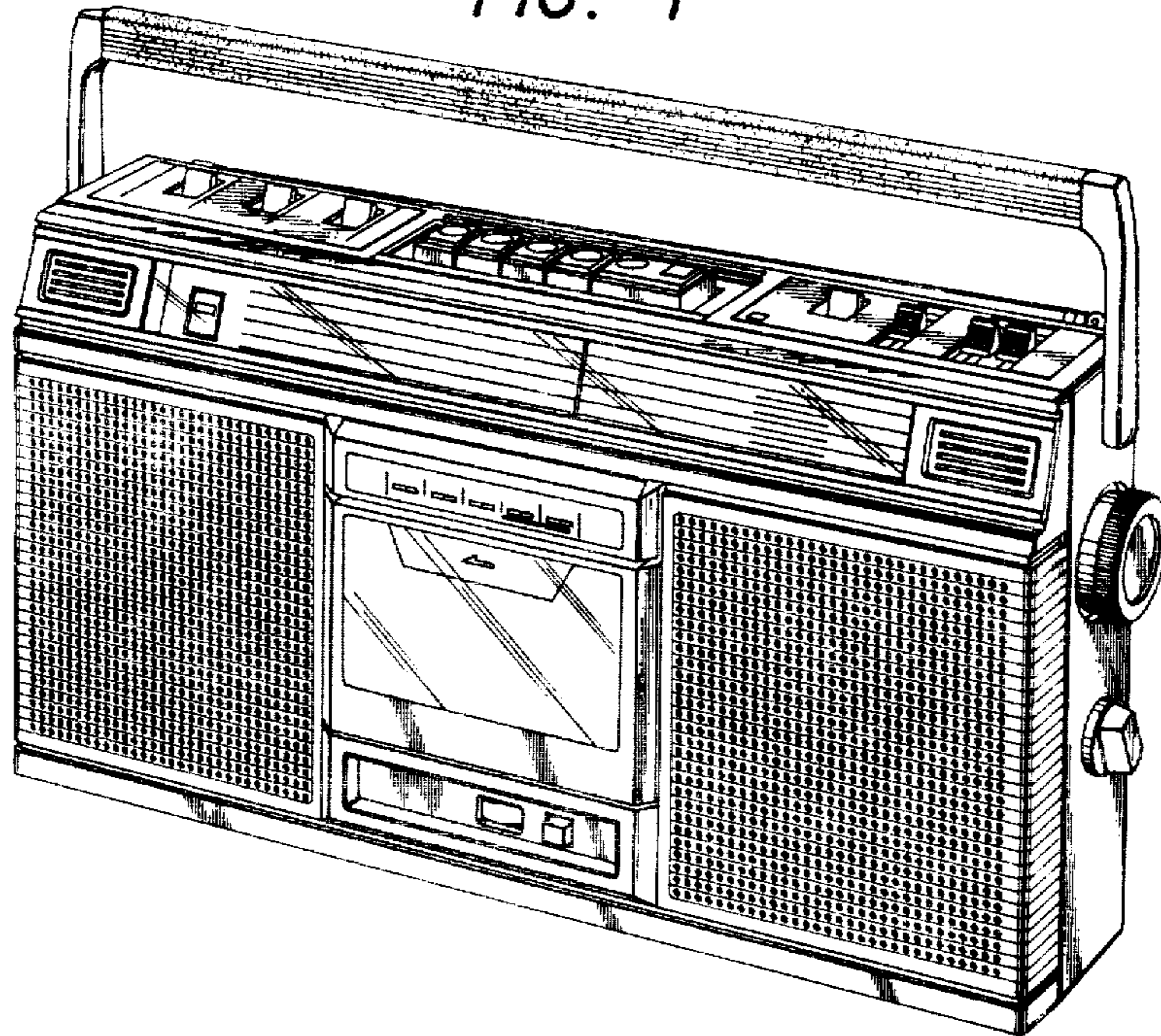
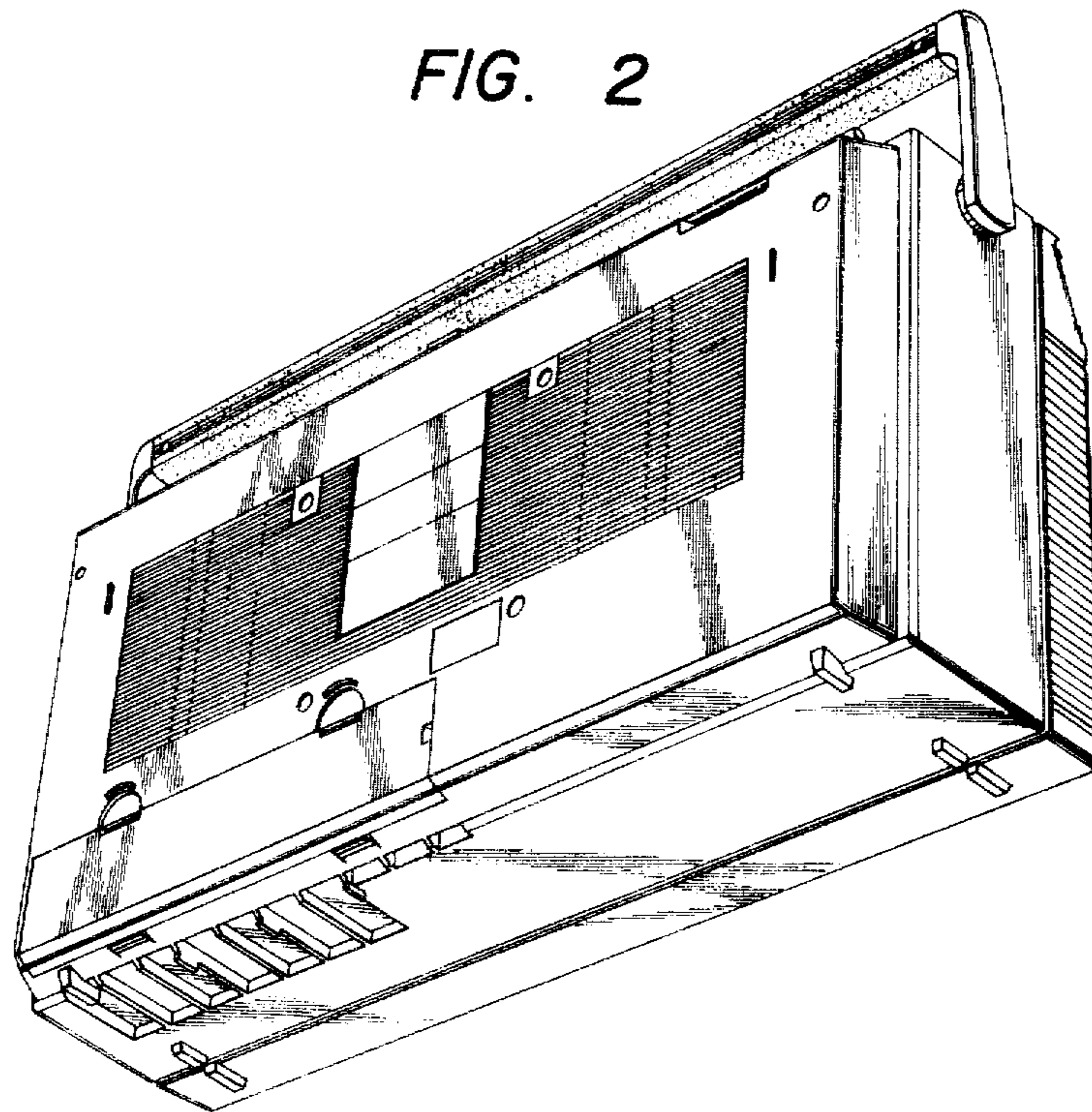
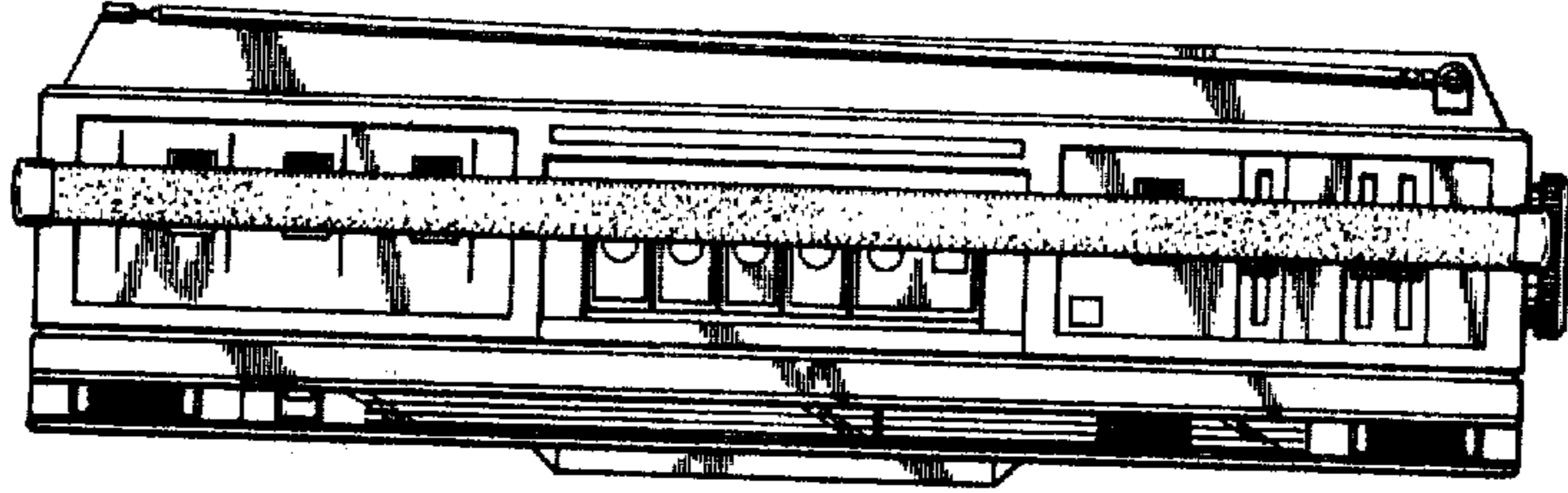


FIG. 2



*FIG. 3*



*FIG. 4*

