

[54] COMBINED CLOCK RADIO AND CASSETTE PLAYER

[75] Inventor: Pak T. Fung, Hong Kong, Hong Kong

[73] Assignee: Baro Far East Limited, Hong Kong, Hong Kong

[**] Term: 14 Years

[21] Appl. No.: 114,314

[22] Filed: Jan. 22, 1980

[30] Foreign Application Priority Data

Jul. 23, 1979 [GB] United Kingdom 990847

[51] Int. Cl. D14-01; D14-03; D10-01

[52] U.S. Cl. D14/5; D10/2; D10/15; D14/6; D14/73

[58] Field of Search D14/1, 2, 5, 6, 68, D14/71-76, 79, 99; D10/2, 15

[56] References Cited

U.S. PATENT DOCUMENTS

- D. 227,266 6/1973 Shimasaki D14/6
- D. 241,067 8/1976 Houlihan D10/15 X
- D. 246,105 10/1977 Coons D10/15 X
- D. 258,058 1/1981 Dietrich D14/6 X

OTHER PUBLICATIONS

Best Products 1979 Buyer's Book, #122-C, ©1978, p. 320, Item "E", p. 322, Item C.

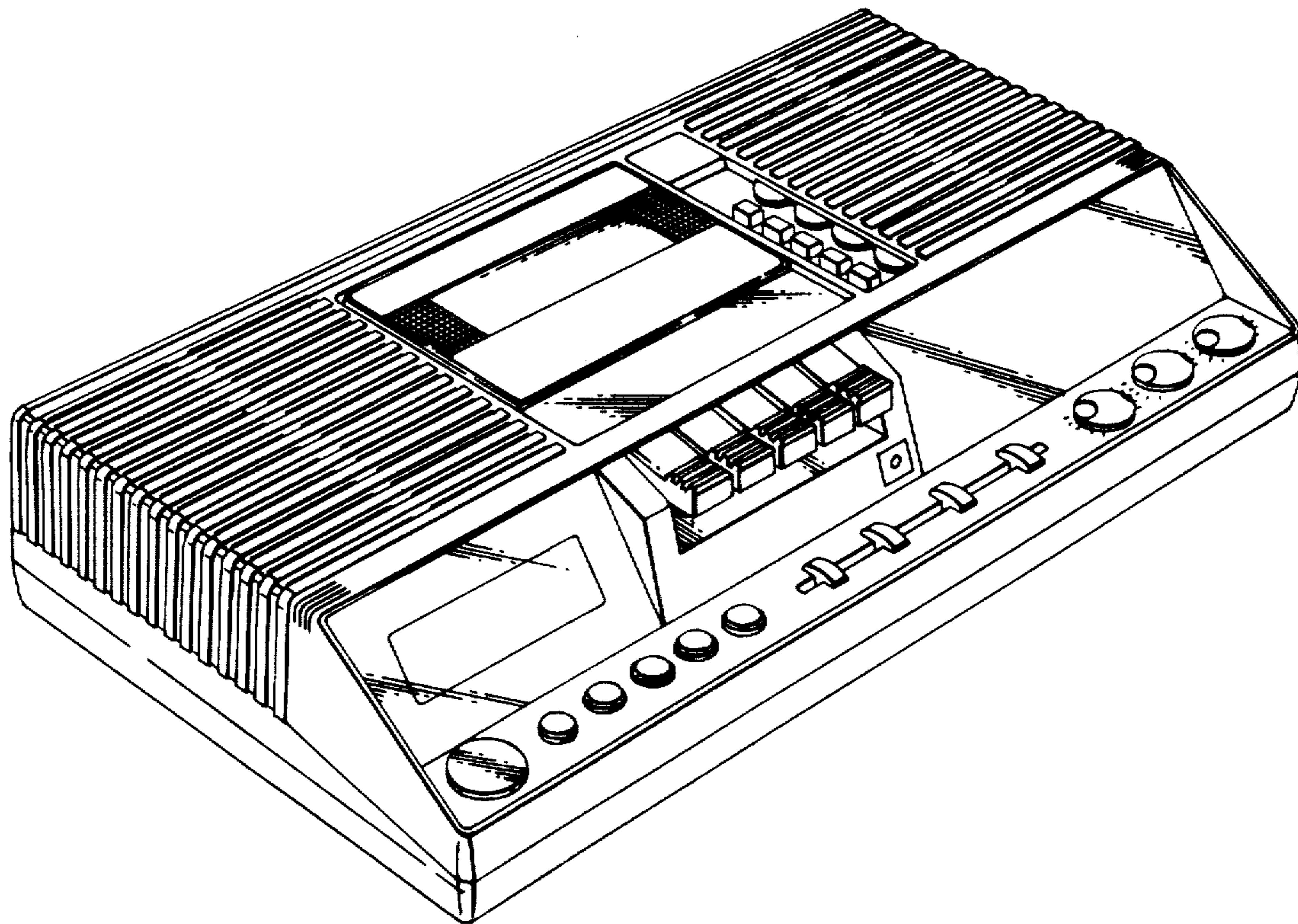
Primary Examiner—Jane E. Corrigan
Attorney, Agent, or Firm—Spencer & Kaye

[57] CLAIM

The ornamental design for a combined clock radio and cassette player, substantially as shown.

DESCRIPTION

FIG. 1 is a front, top and left side perspective view of a combined clock radio and cassette player showing my new design;
FIG. 2 is a rear, bottom and right side perspective view; and
FIG. 3 is a right side elevational view.



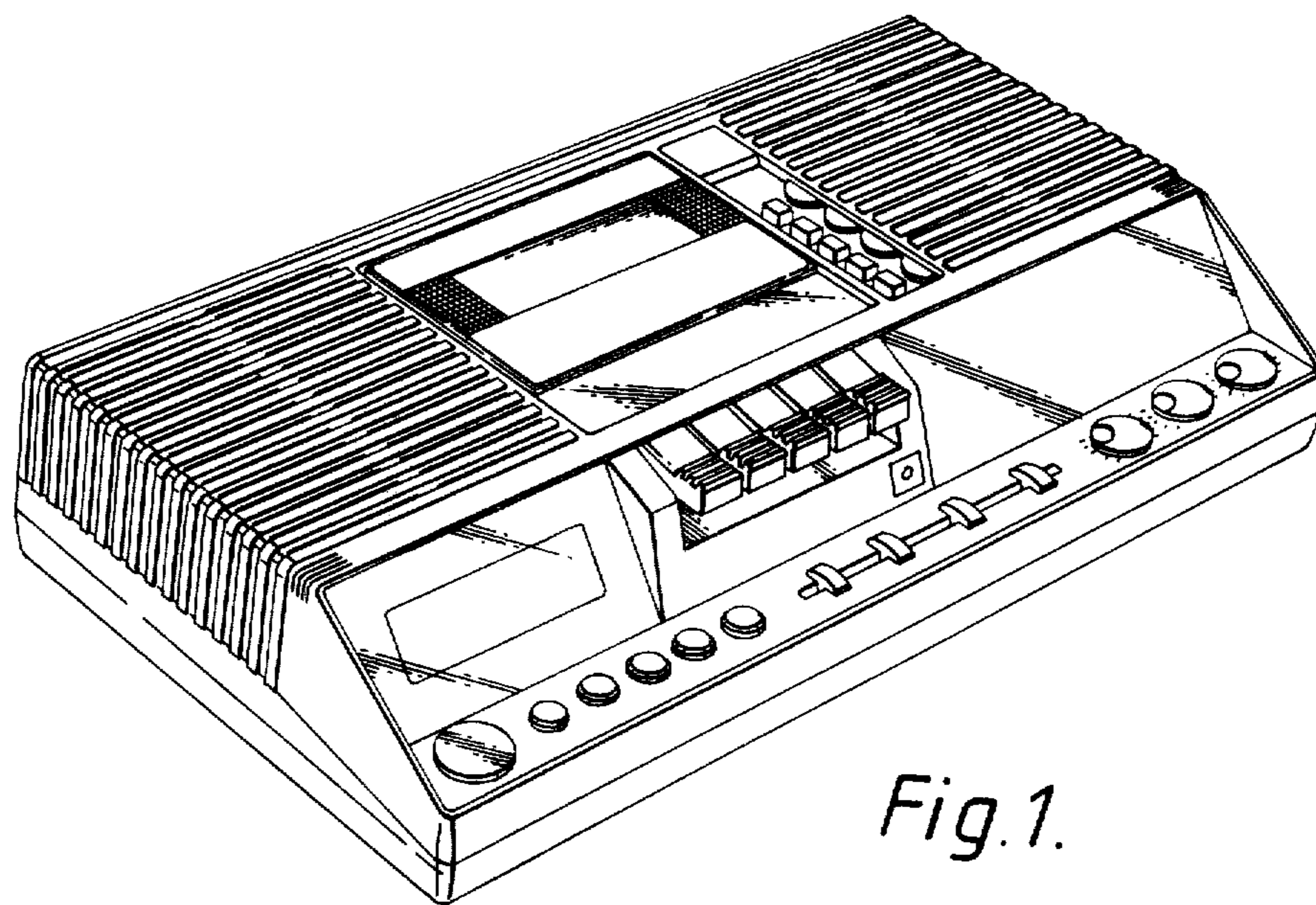


Fig. 1.

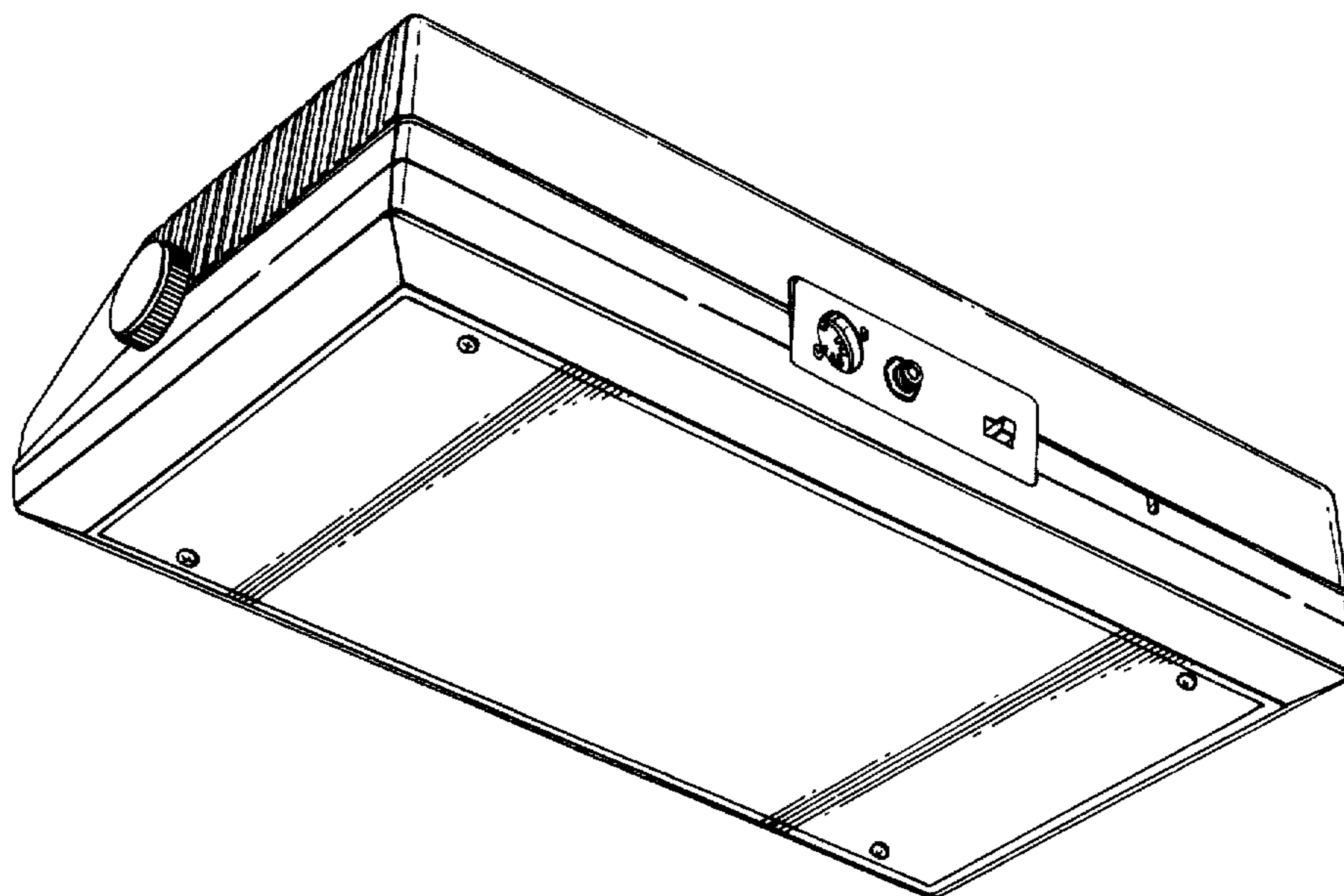


Fig. 2.

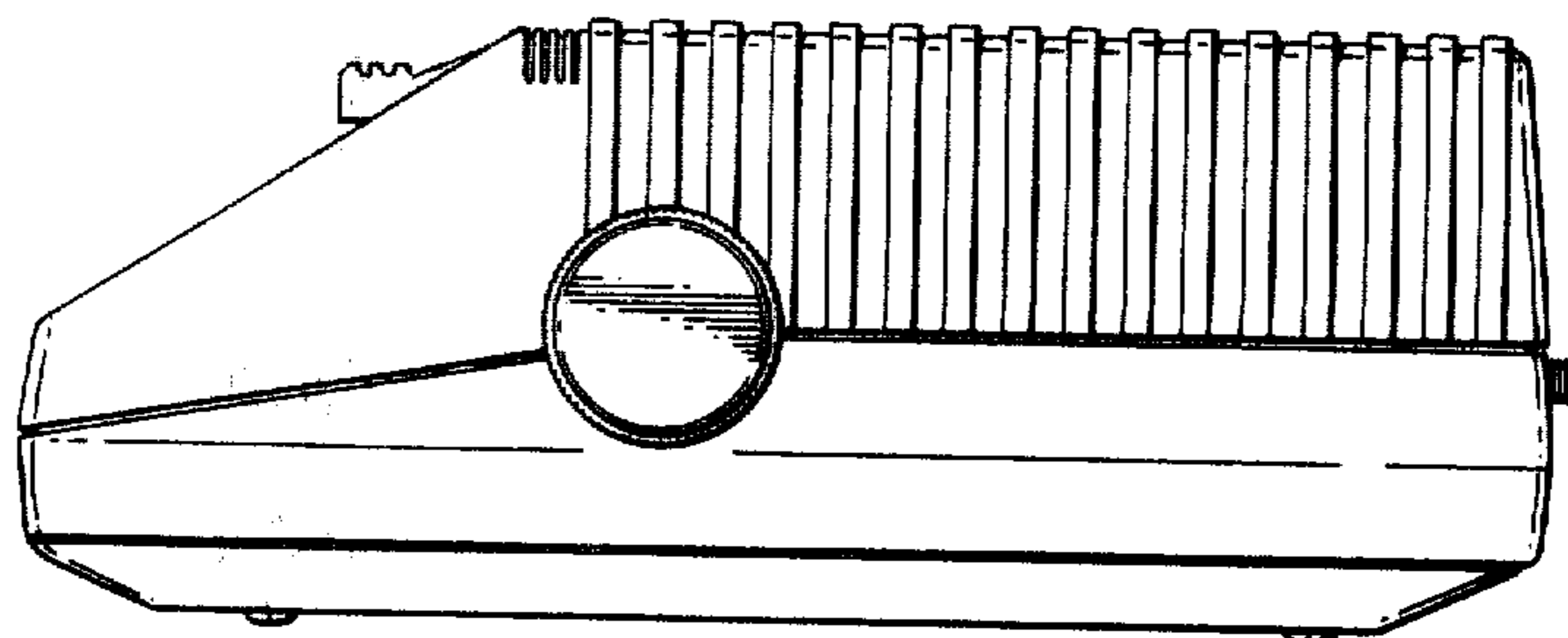


Fig. 3.