

[54] EYEGLOSS TEMPLE SCREW OR THE LIKE

[76] Inventor: **Raymond J. Boyle**, 244 Chemung St.,
Corning, N.Y. 14830

[**] Term: **14 Years**

[21] Appl. No.: **153,151**

[22] Filed: **May 27, 1980**

[51] Int. Cl. **D8-08**

[52] U.S. Cl. **D8/387**

[58] Field of Search **D8/387; 411/378, 393,**
411/394, 402, 403, 405, 411, 423, 428; 351/140,
141

[56] **References Cited**

U.S. PATENT DOCUMENTS

377,611 2/1888 Harley 411/403

674,051 5/1901 Applegate 351/140
996,534 6/1911 Stott 351/141
2,740,327 4/1956 Stegeman 351/141

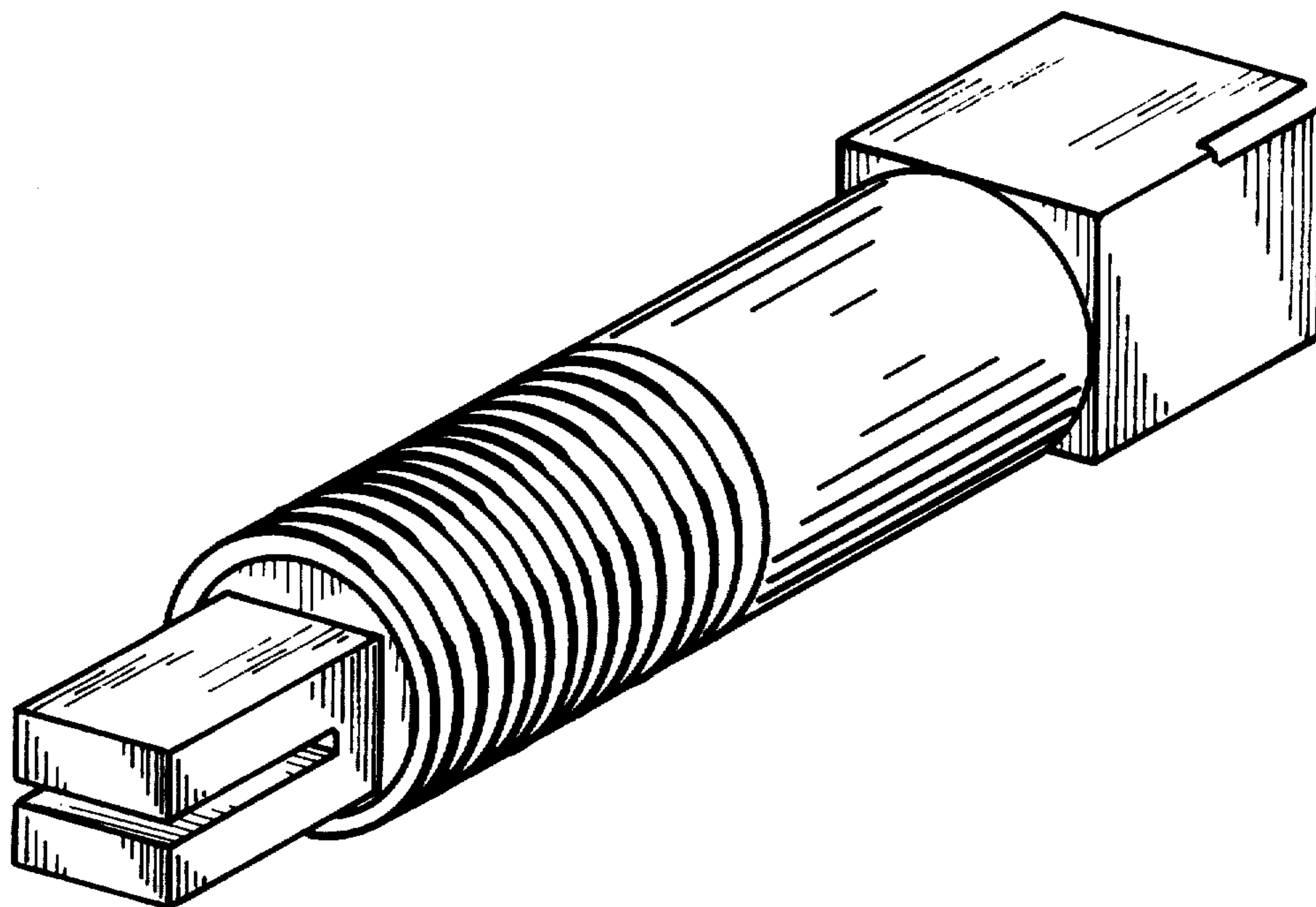
Primary Examiner—B. J. Bullock
Attorney, Agent, or Firm—Burton R. Turner

[57] **CLAIM**

The ornamental design for an eyeglass temple screw or the like, as shown and described.

DESCRIPTION

FIG. 1 is an enlarged perspective view of an eyeglass temple screw or the like, showing my new design; FIG. 2 is a side elevational view of the eyeglass temple screw or the like shown in FIG. 1, with the opposite side being identical except that the termination of the head slot would be at the bottom of the view; FIG. 3 is a top plan view; FIG. 4 is a bottom plan view.



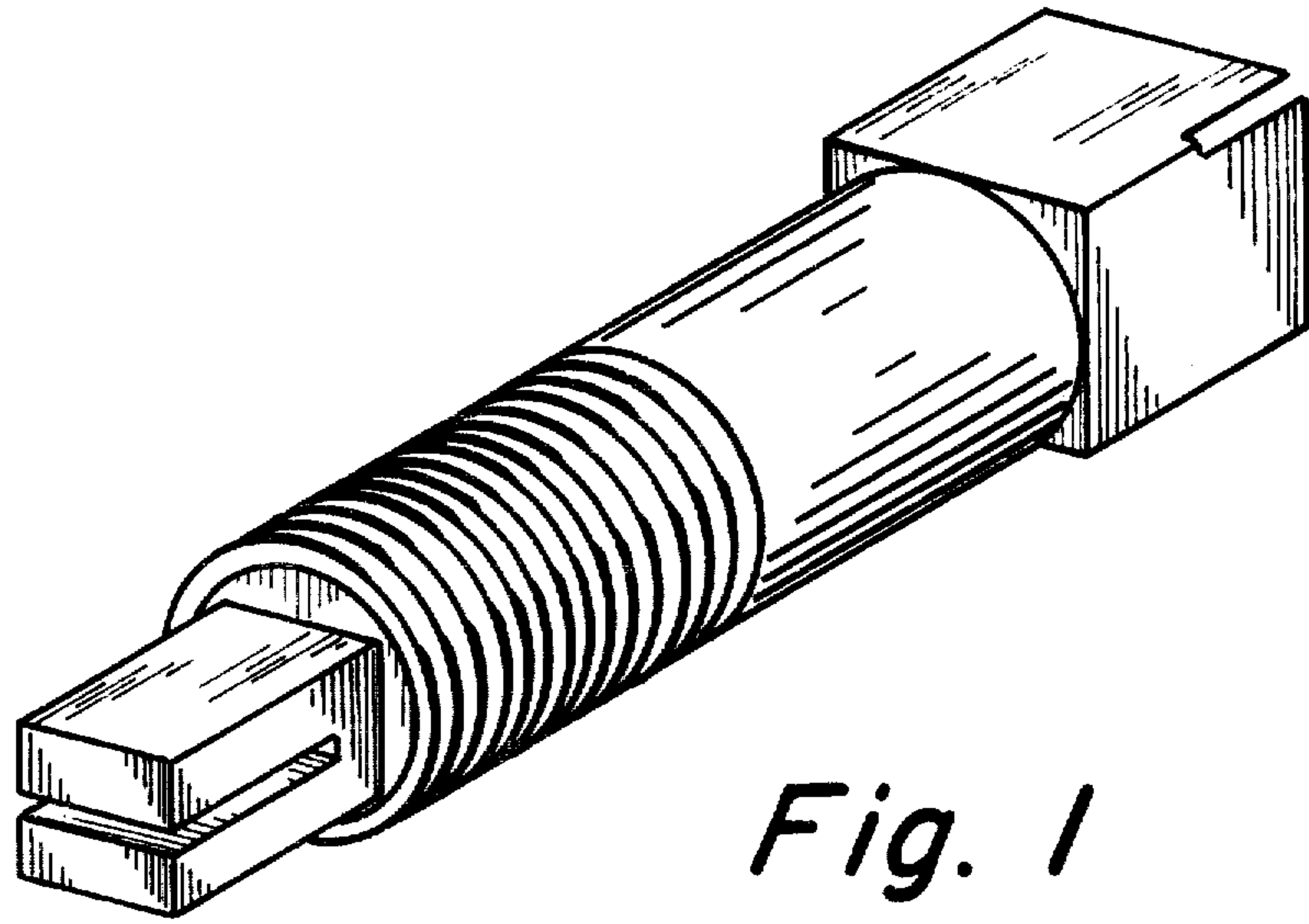


Fig. 1

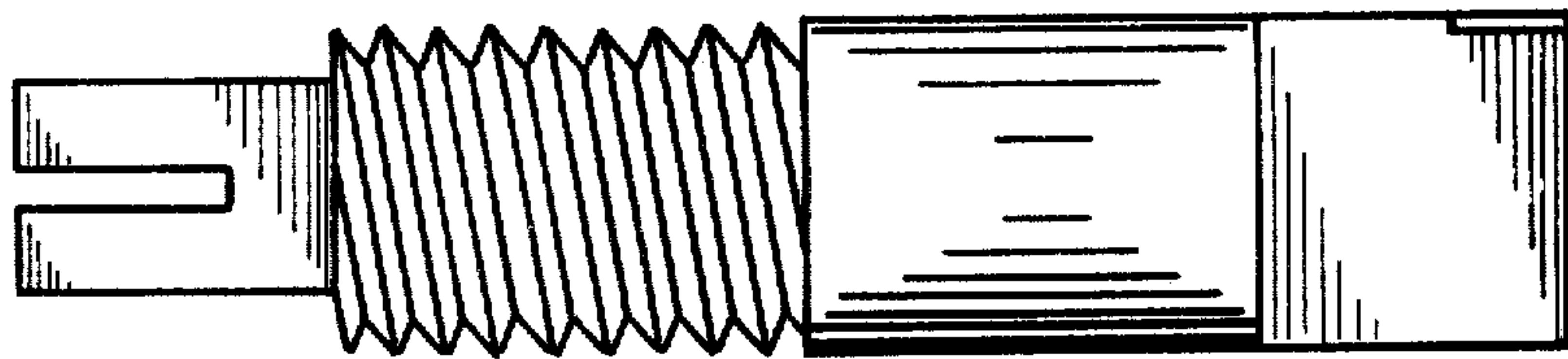


Fig. 2

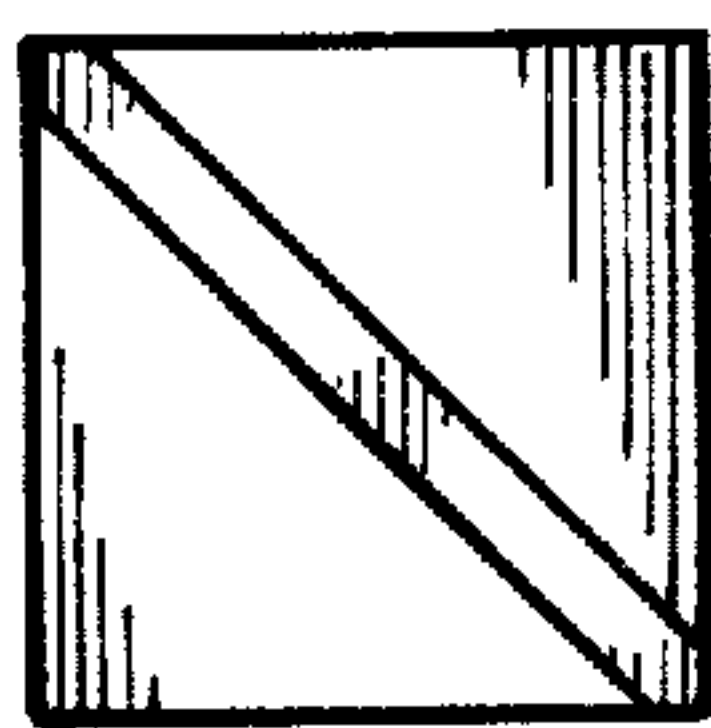


Fig. 3

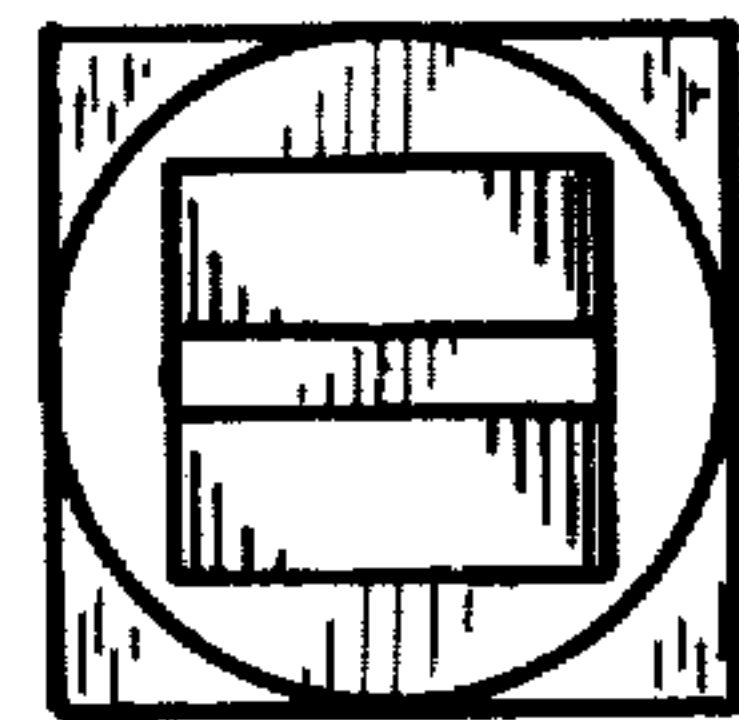


Fig. 4