

[54] CASING FOR A PORTABLE BELT GRINDER

[75] Inventors: Elwin H. Fleckenstein, Alden; Walter N. Welsch, Tonawanda, both of N.Y.

[73] Assignee: Dynabrade, Inc., Tonawanda, N.Y.

[\*\*] Term: 14 Years

[21] Appl. No.: 140,845

[22] Filed: Apr. 16, 1980

[51] Int. Cl. .... D8-05

[52] U.S. Cl. .... D8/62; D8/70

[58] Field of Search ..... D8/70, 62; 51/268, 272, 51/170 EB

[56] References Cited

U.S. PATENT DOCUMENTS

D. 215,047 8/1969 Mikita ..... D8/62

OTHER PUBLICATIONS

G & P Machinery Corp. Bulletin 162, Portable Abrasive Belt Grinder.

Primary Examiner—James M. Gandy

Attorney, Agent, or Firm—Bean, Kauffman & Bean

[57] CLAIM

The ornamental design for a casing for a portable belt grinder, as shown and described.

DESCRIPTION

FIG. 1 is a perspective view of a casing for a portable belt grinder showing our new design, it being understood that the broken lines are for illustrative purposes only;

FIG. 2 is an enlarged top plan view thereof;

FIG. 3 is an enlarged bottom plan view thereof;

FIG. 4 is an enlarged side elevational view thereof;

FIG. 5 is an enlarged opposite side elevational view thereof;

FIG. 6 is an enlarged front end elevational view thereof;

FIG. 7 is an enlarged rear end elevational view thereof;

FIG. 8 is a top plan view of a casing for a portable belt grinder showing a second embodiment of our new design;

FIG. 9 is a bottom plan view of FIG. 8;

FIG. 10 is a side elevational view of FIG. 8;

FIG. 11 is an opposite side elevational view of FIG. 8;

FIG. 12 is a front end elevational view of FIG. 8; and

FIG. 13 is a rear end elevational view of FIG. 8.

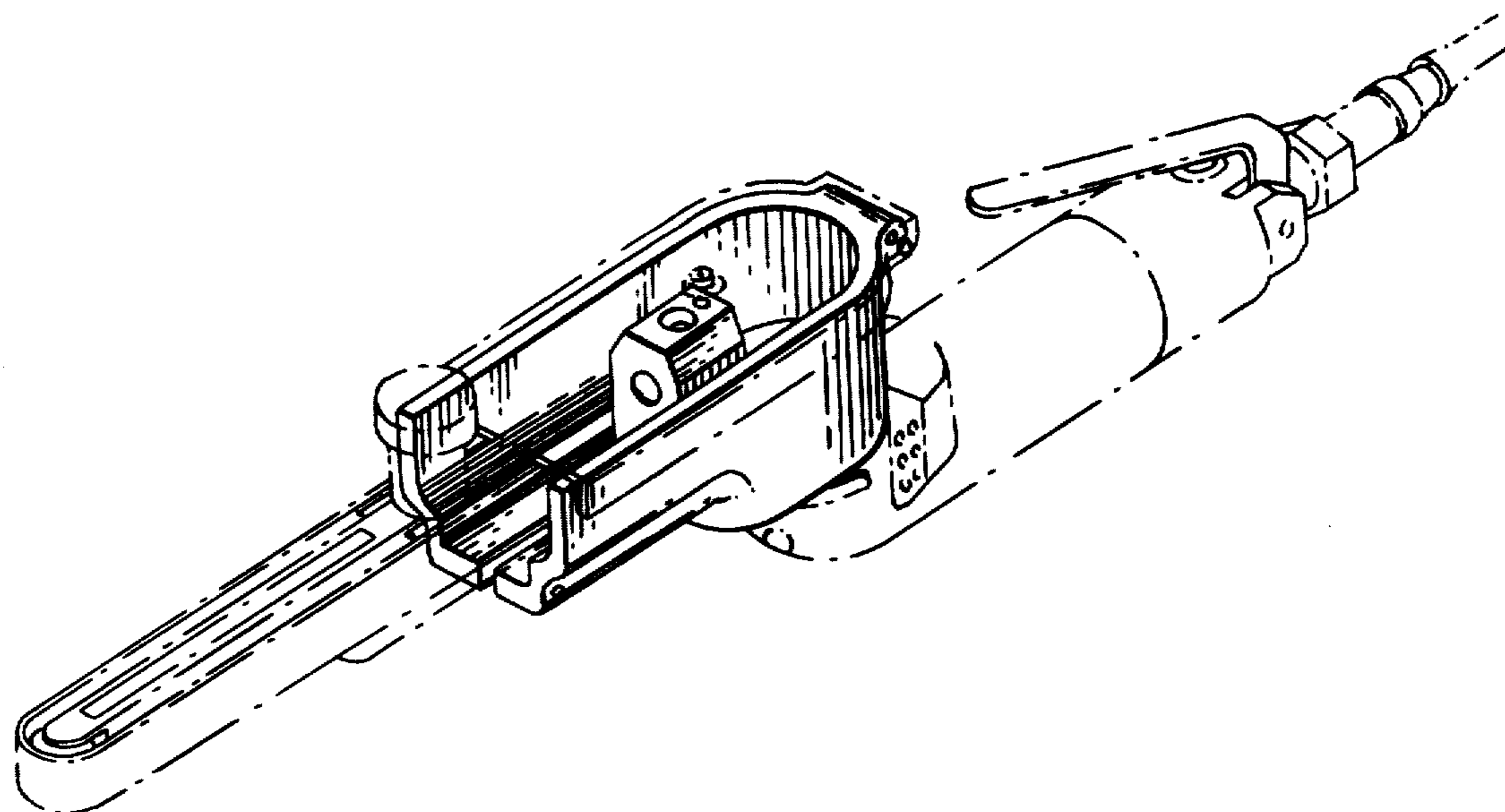


Fig. 1.

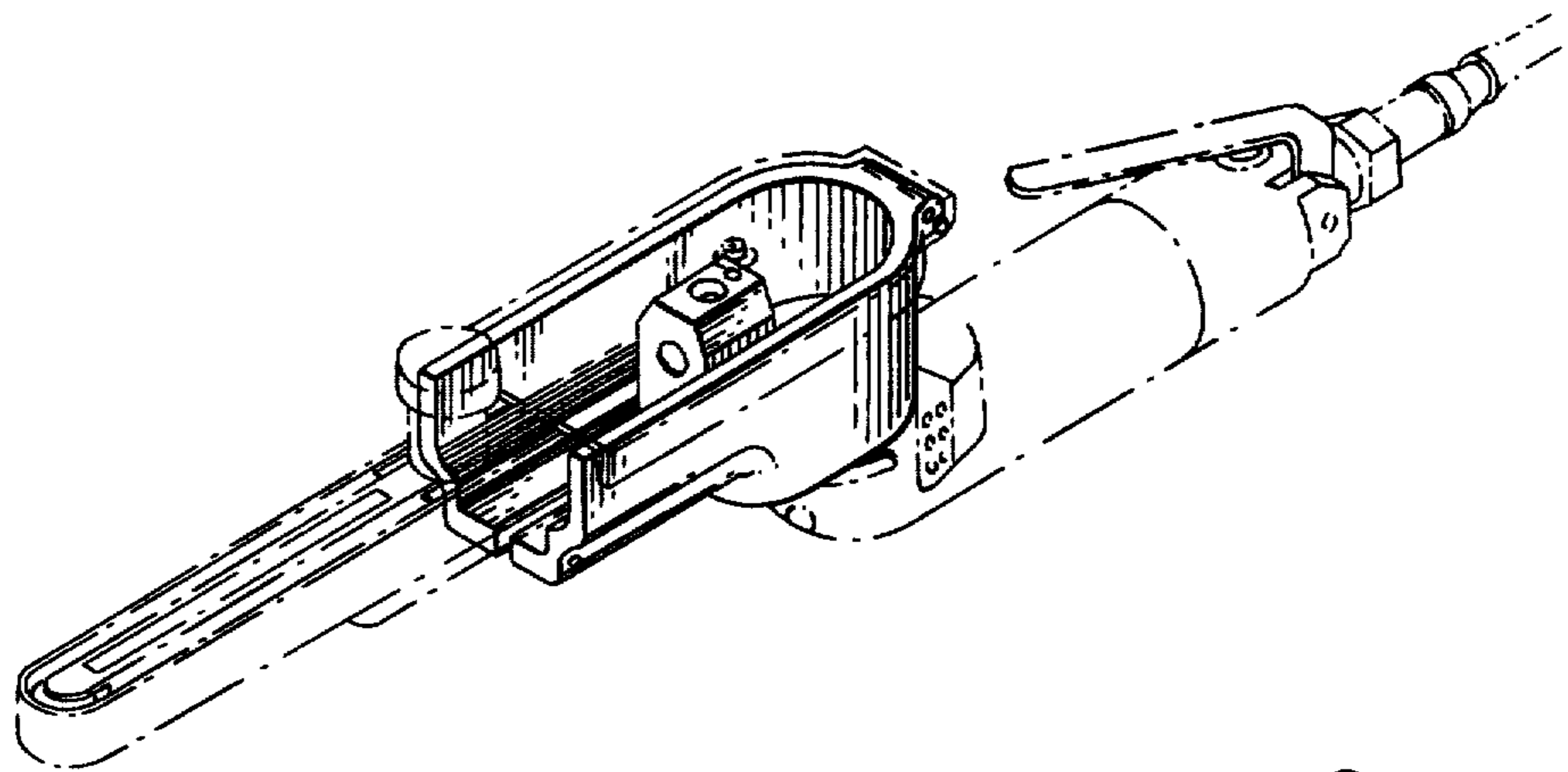


Fig. 2.

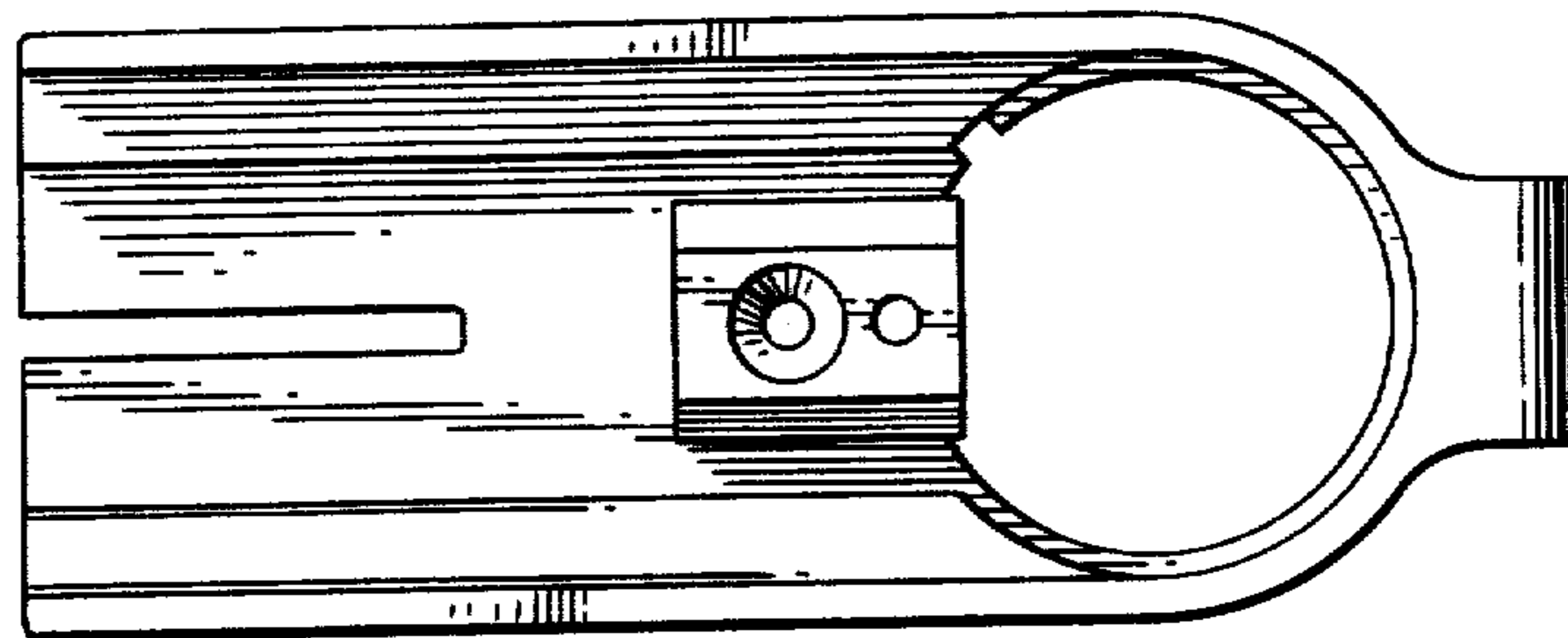


Fig. 3.

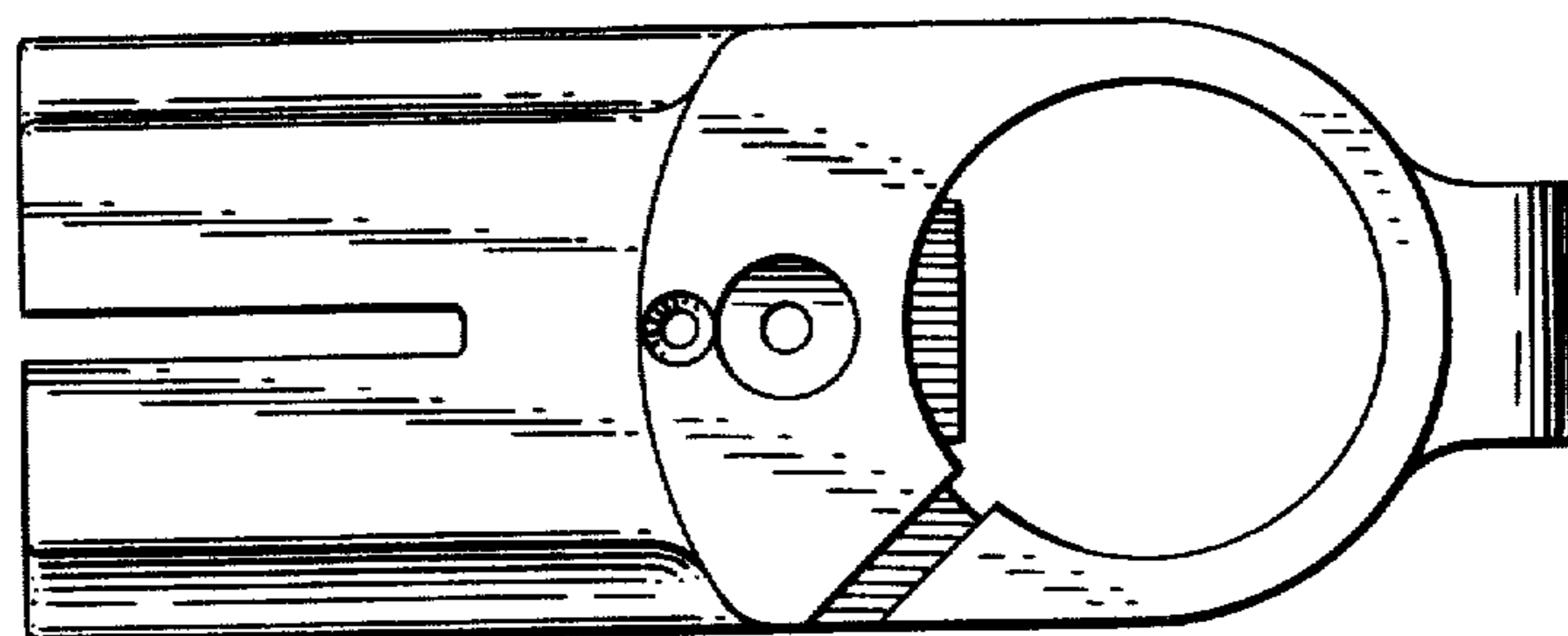


Fig. 4.

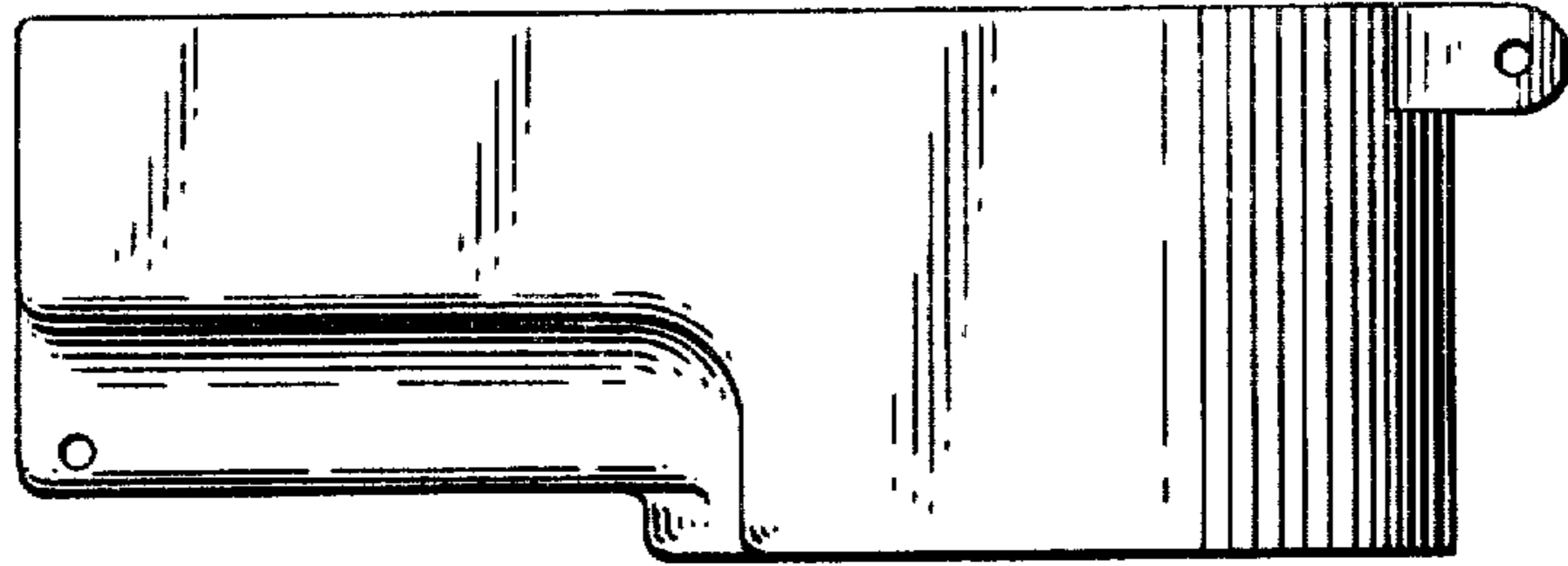


Fig. 5.

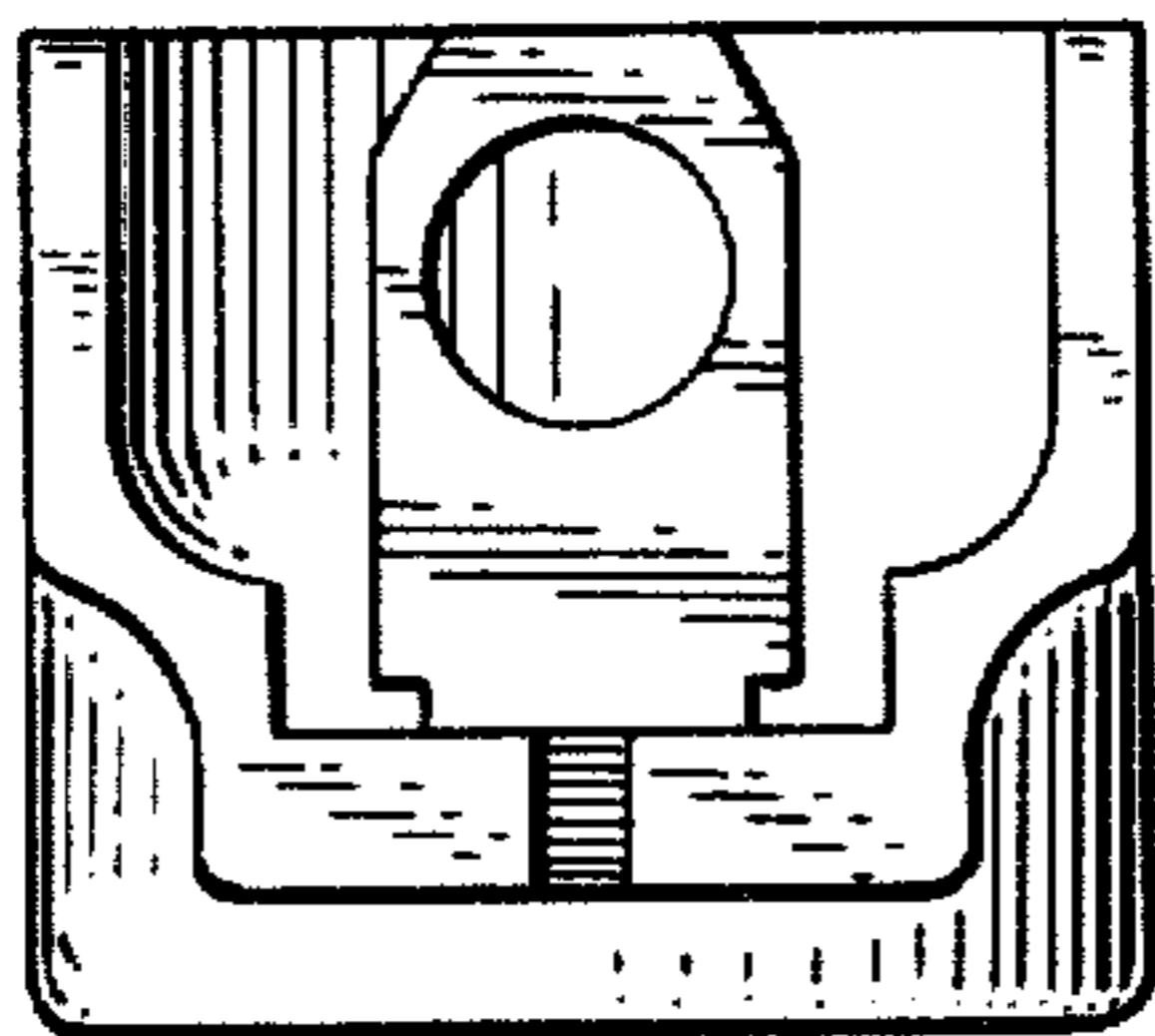
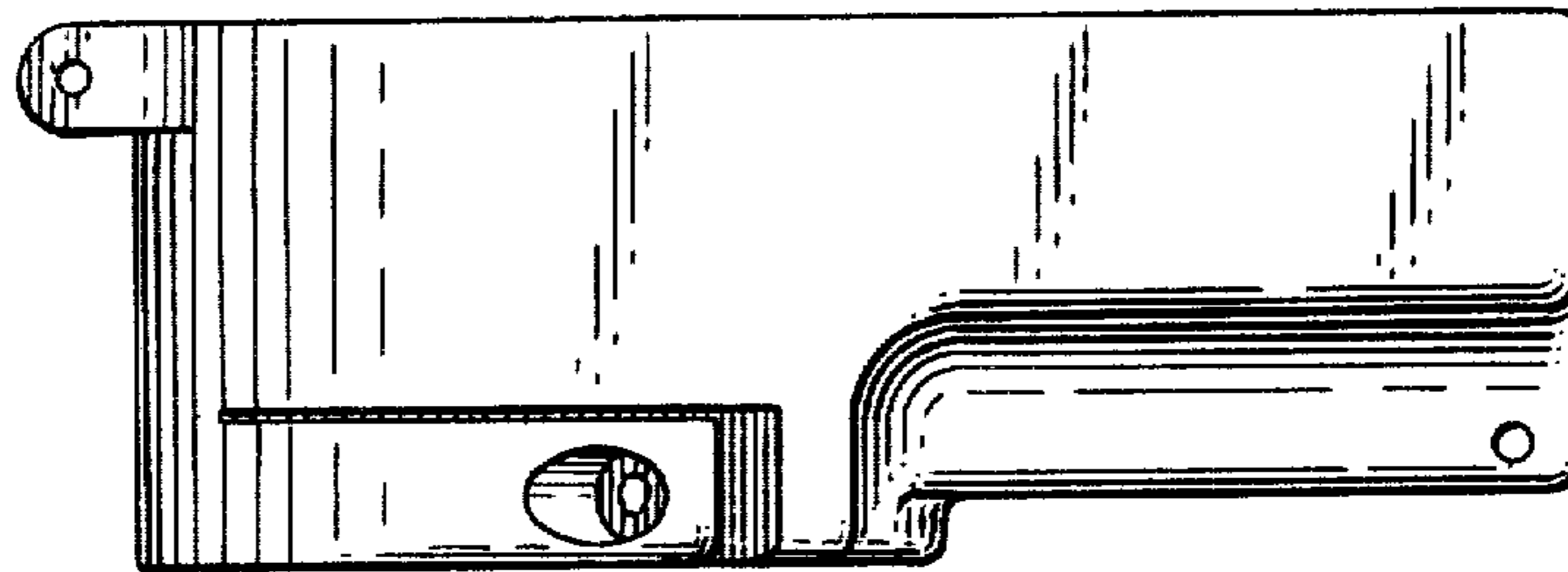


Fig. 6.

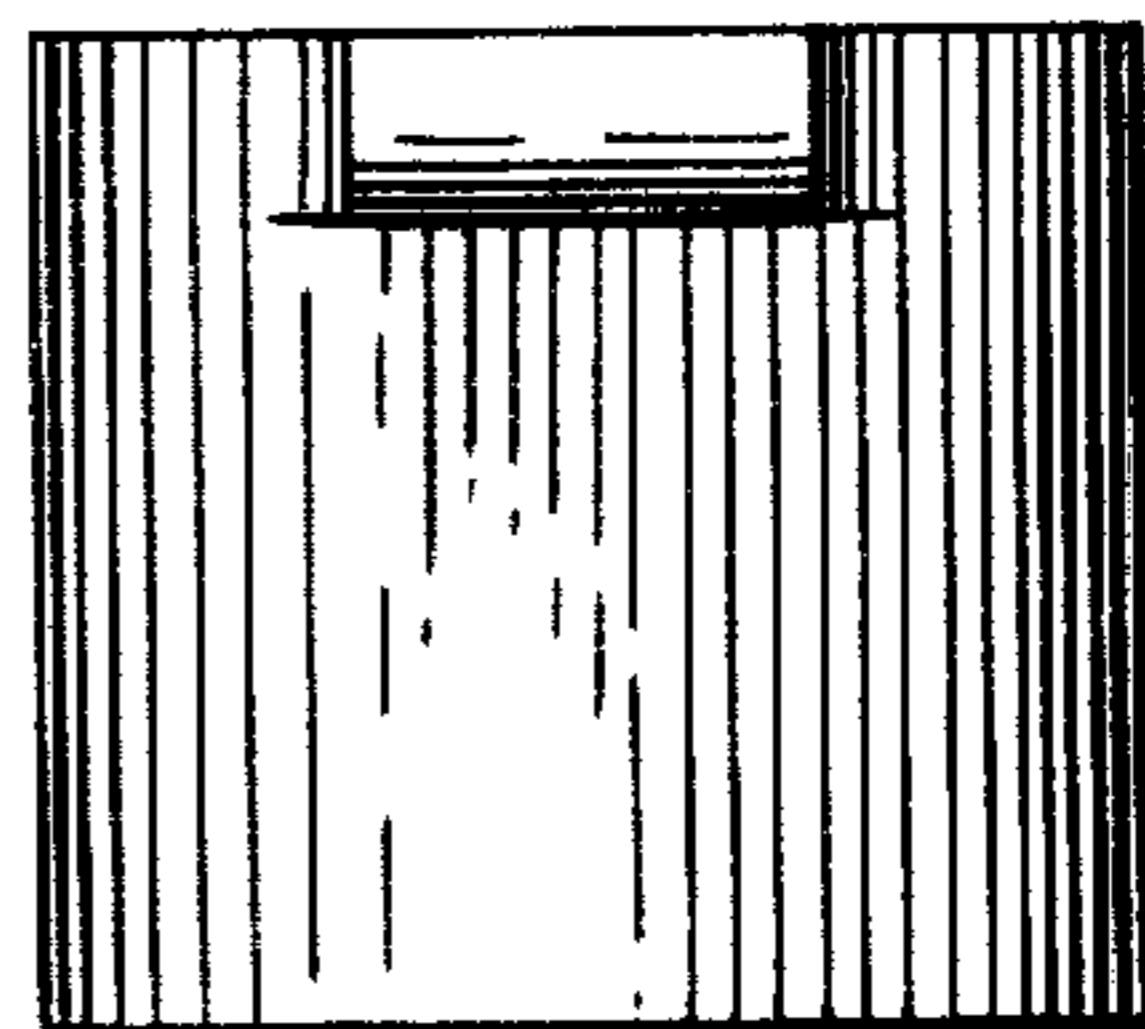


Fig. 7.

Fig. 8.

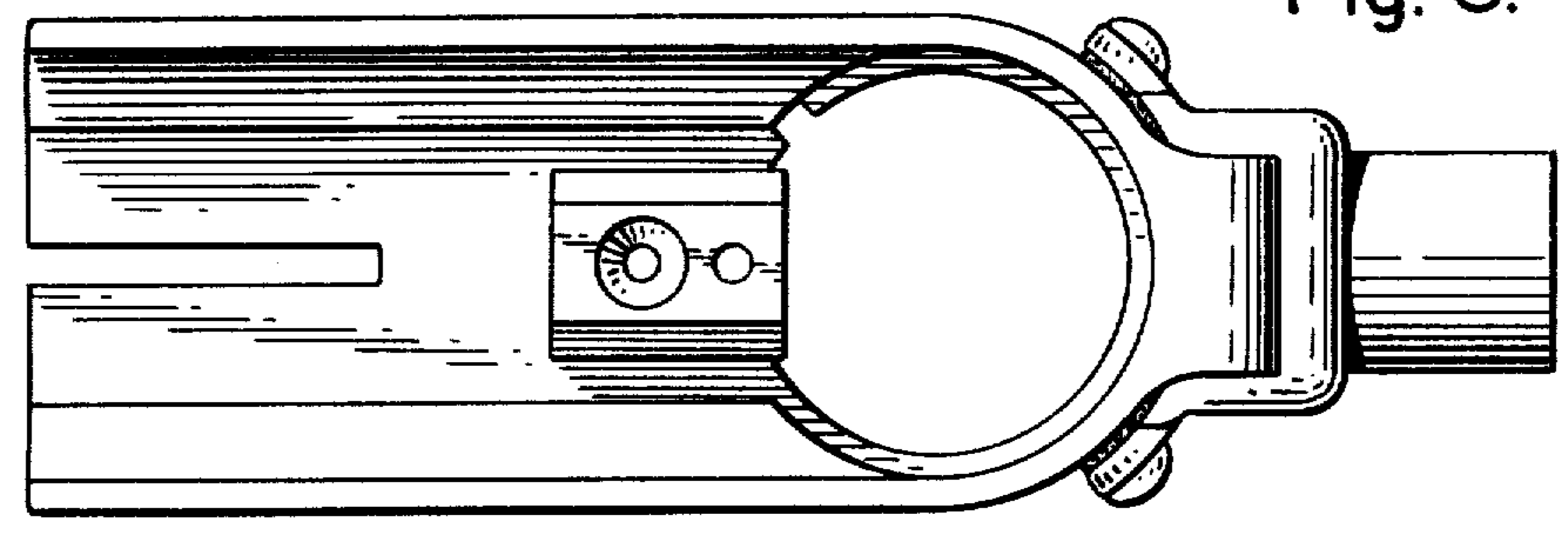


Fig. 9.

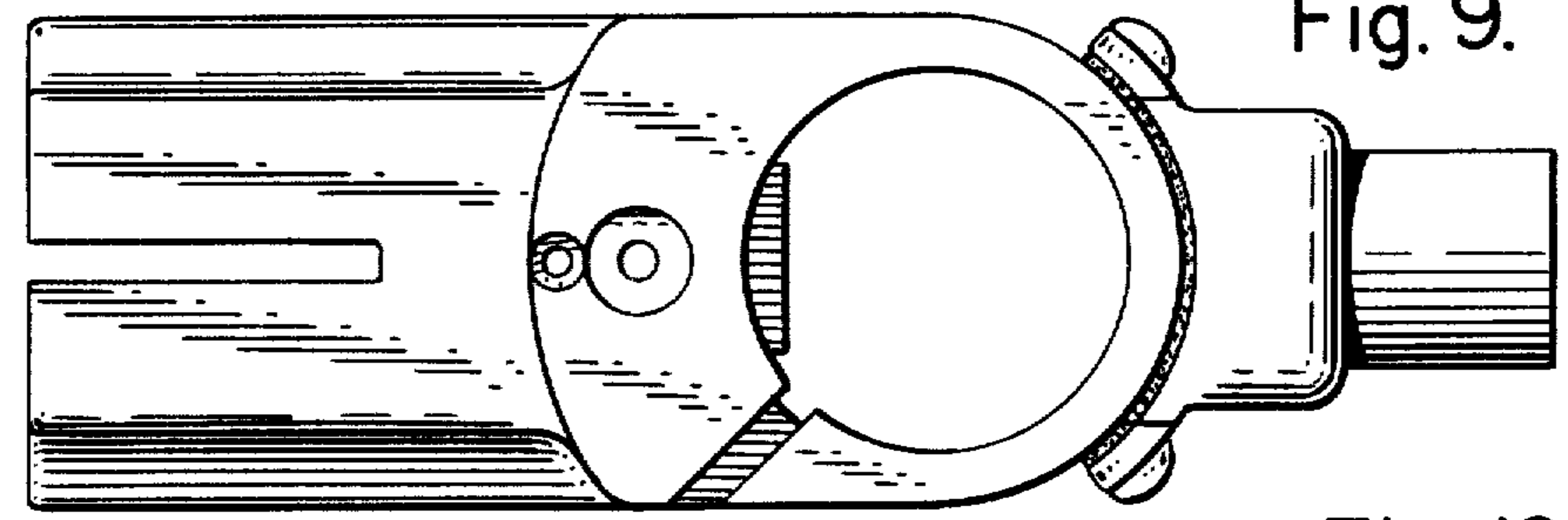


Fig. 10.

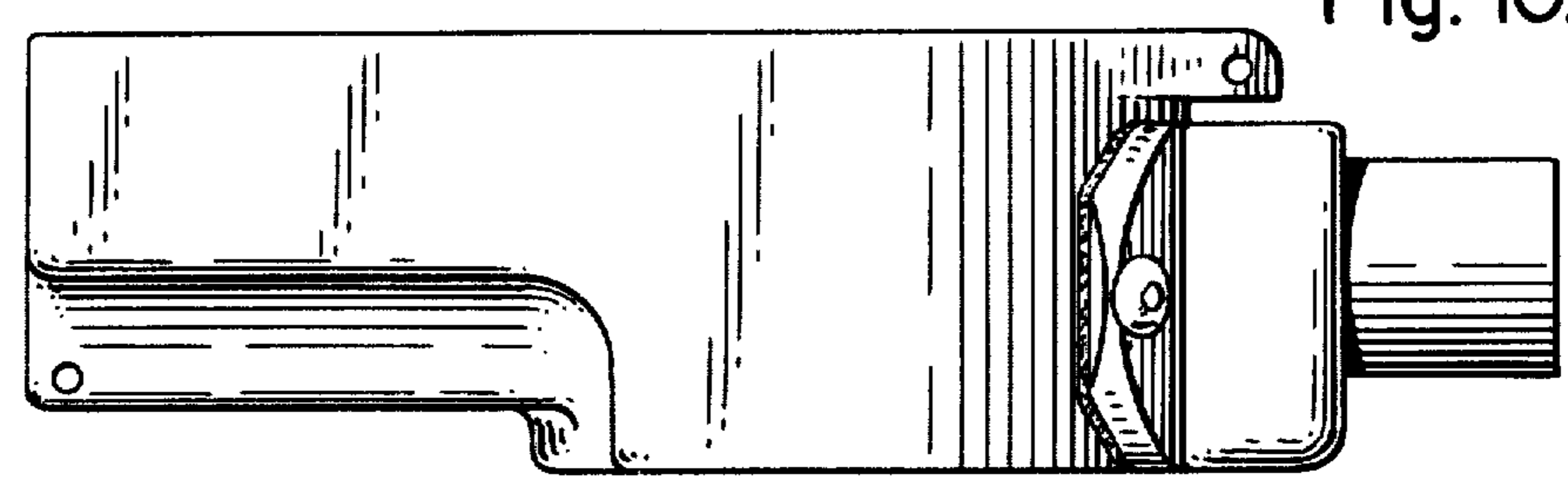


Fig. 11.

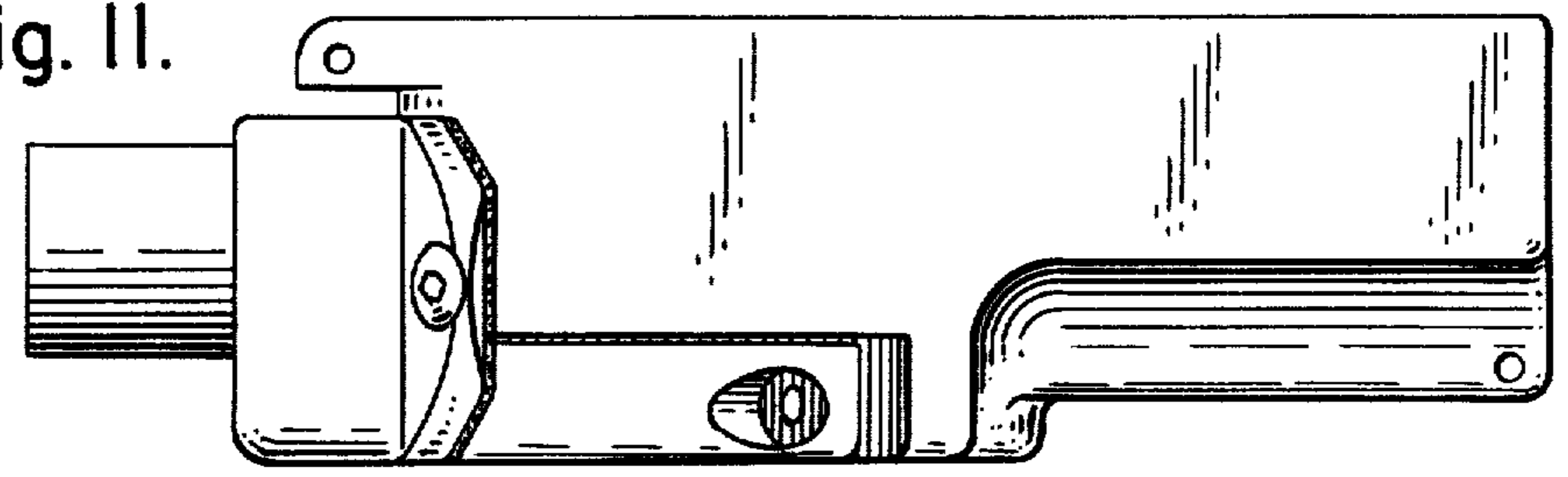


Fig. 12.

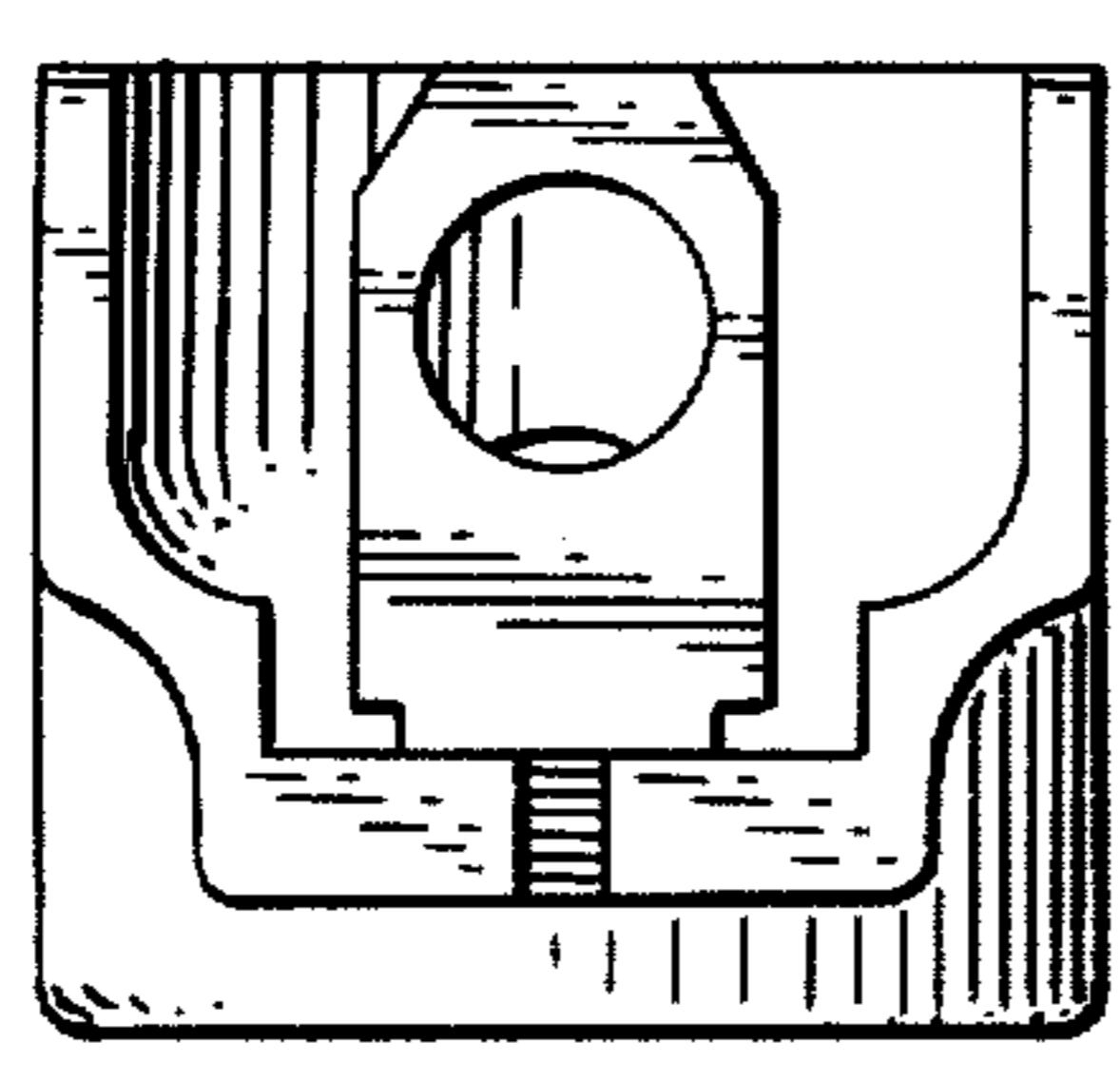


Fig. 13.

