

[54] LINE TIGHTENER

[76] Inventor: Robert C. Zukaitis, 7192 Mohawk Trail, Yucca Valley, Calif. 92284

[\*\*] Term: 14 Years

[21] Appl. No.: 172,461

[22] Filed: Jul. 21, 1980

[51] Int. Cl. .... D8-05

[52] U.S. Cl. .... D8/44; D8/349; D8/356

[58] Field of Search ..... 140/123.5; 24/71.1, 24/71.2, 71.3; 254/161, 357, 164, 231; 403/43; D8/44, 356, 349; 256/37; 72/390

[56] References Cited

U.S. PATENT DOCUMENTS

1,484,558 2/1924 Peto ..... 72/390

1,638,432 8/1927 Connors ..... 24/71.1 X  
1,957,367 5/1934 Suydam ..... 24/71.1 X  
2,344,052 3/1944 Neale ..... 24/71.1

Primary Examiner—A. Hugo Word  
Attorney, Agent, or Firm—Wagner & Bachand

[57] CLAIM

The ornamental design for a line tightener, as shown and described.

DESCRIPTION

FIG. 1 is a perspective view of a line tightener of my invention with the dotted line being disclosed for illustrative purposes only;

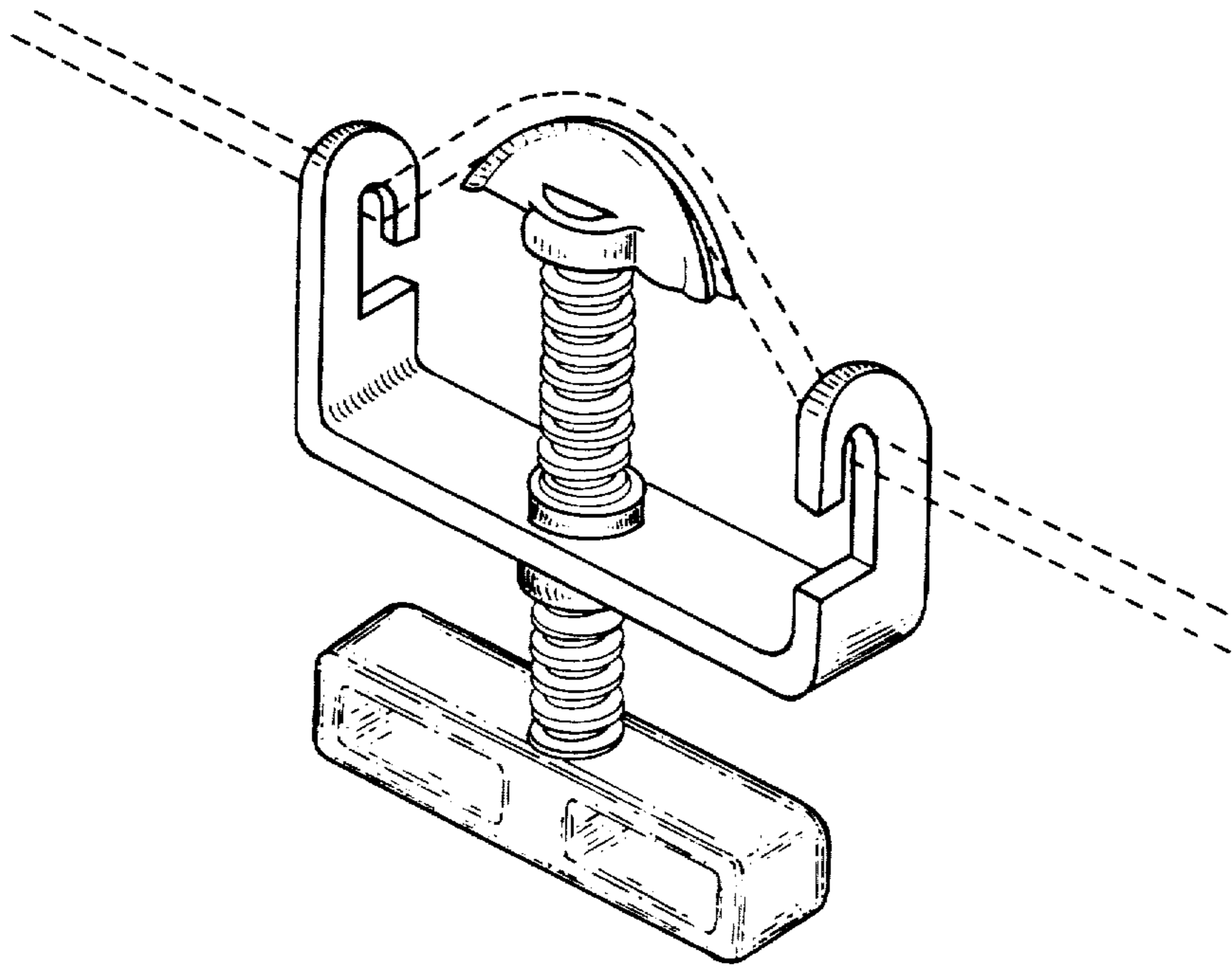
FIG. 2 is a front elevational view thereof;

FIG. 3 is an end view thereof;

FIG. 4 is a top view thereof;

FIG. 5 is a bottom view thereof.

The rear and opposite side views are mirror images of FIGS. 2 and 3 respectively.



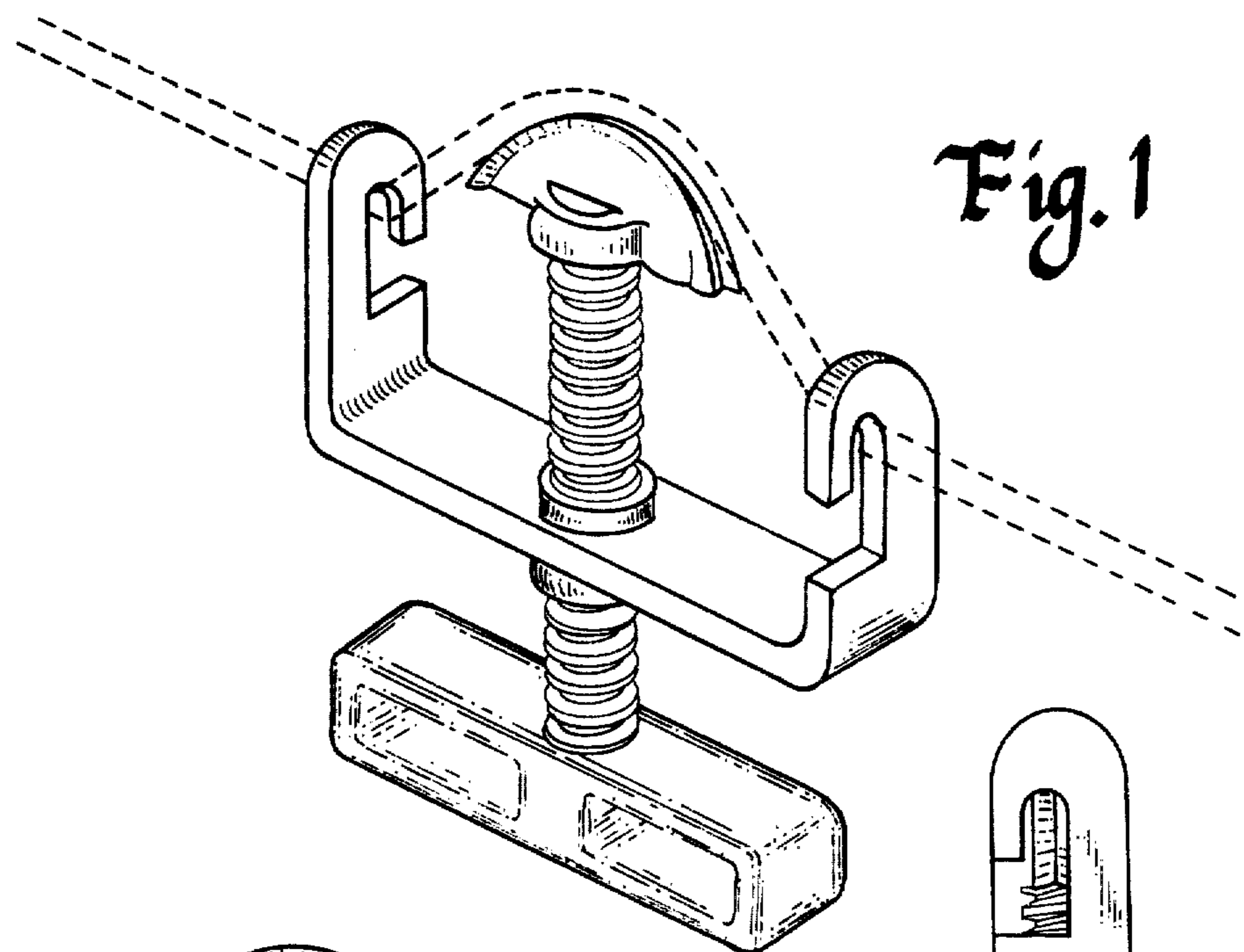


Fig. 1

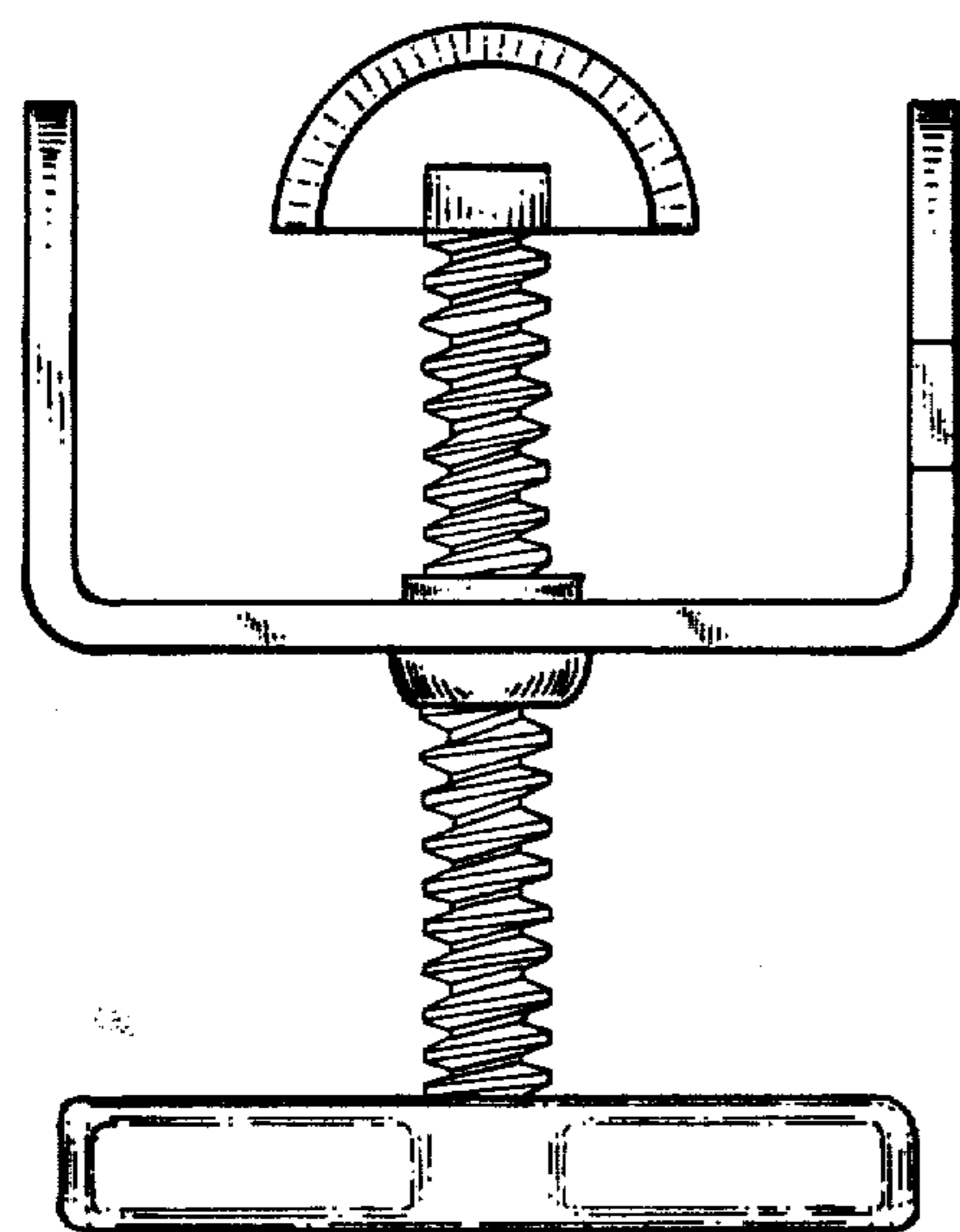


Fig. 2



Fig. 3

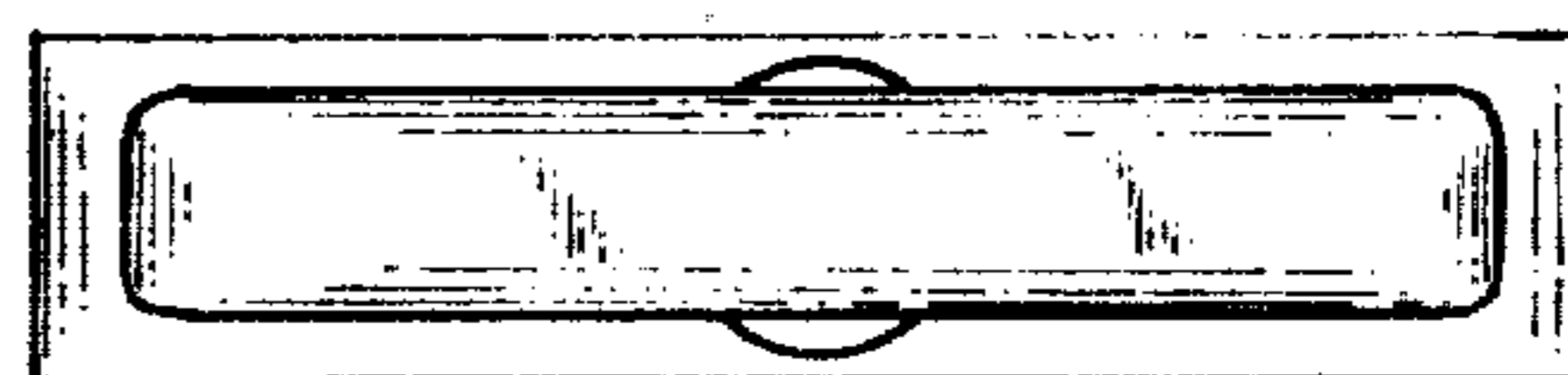


Fig. 5



Fig. 4