

[54] COMBINED GRATE AND WATER HEATER INSERT FOR WOOD BURNING FIREPLACE

4,159,801 7/1979 Roland ..... 126/132 X  
4,159,802 7/1979 Ficker et al. .... 126/132 X  
4,180,053 12/1979 Patel ..... 126/132

[76] Inventor: Adolph Cordova, 1249 43rd Ave., Sacramento, Calif. 95822

Primary Examiner—Catherine E. Kemper  
Attorney, Agent, or Firm—Lothrop & West

[\*\*] Term: 14 Years

[57] CLAIM

[21] Appl. No.: 173,986

The ornamental design for a combined grate and water heater insert for wood burning fireplace, as shown and described.

[22] Filed: Jul. 31, 1980

DESCRIPTION

[51] Int. Cl. .... D23-03

[52] U.S. Cl. .... D7/207; D23/95

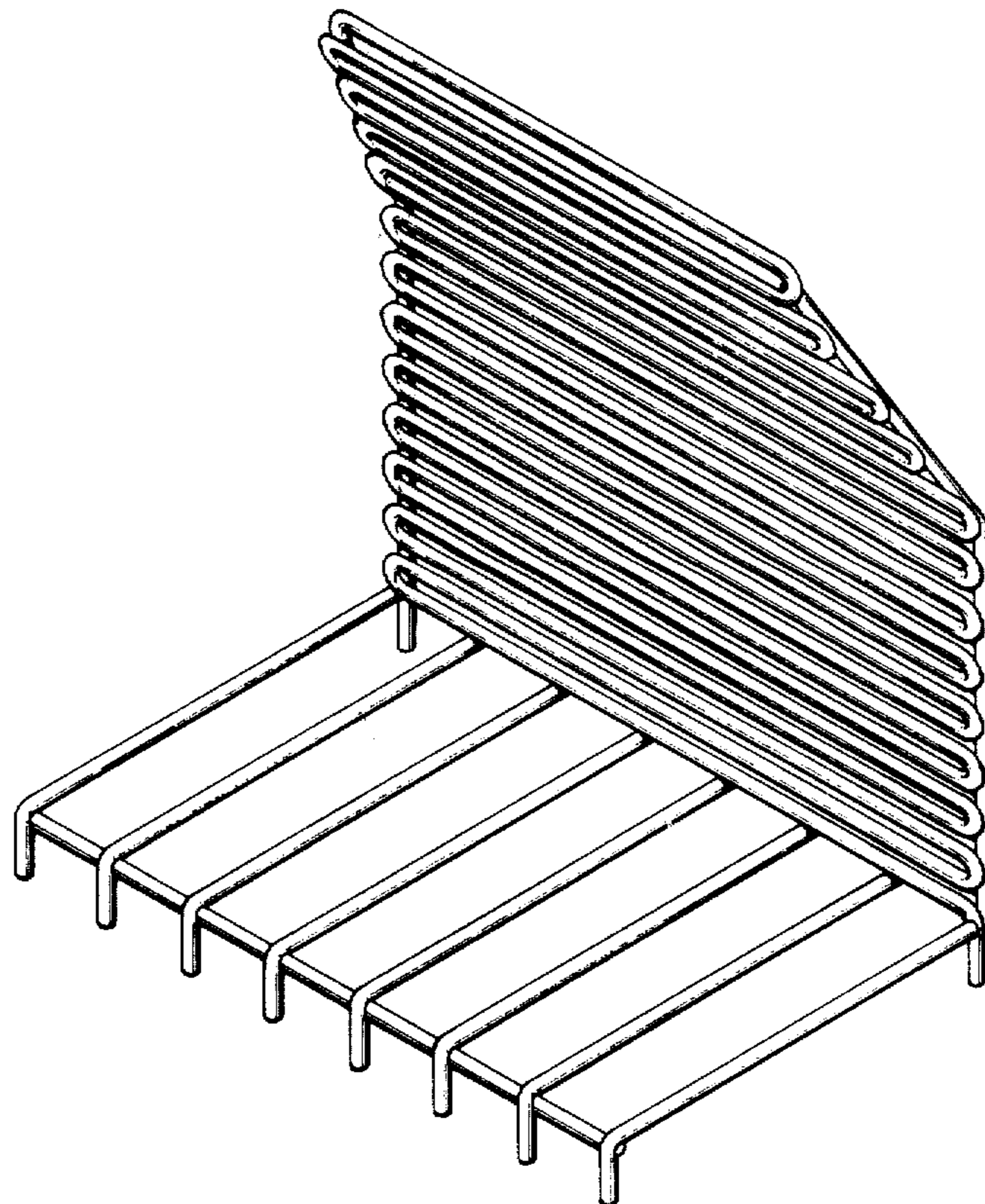
[58] Field of Search ..... D7/207; D23/95, 136; 126/120, 121, 132, 163, 164, 165

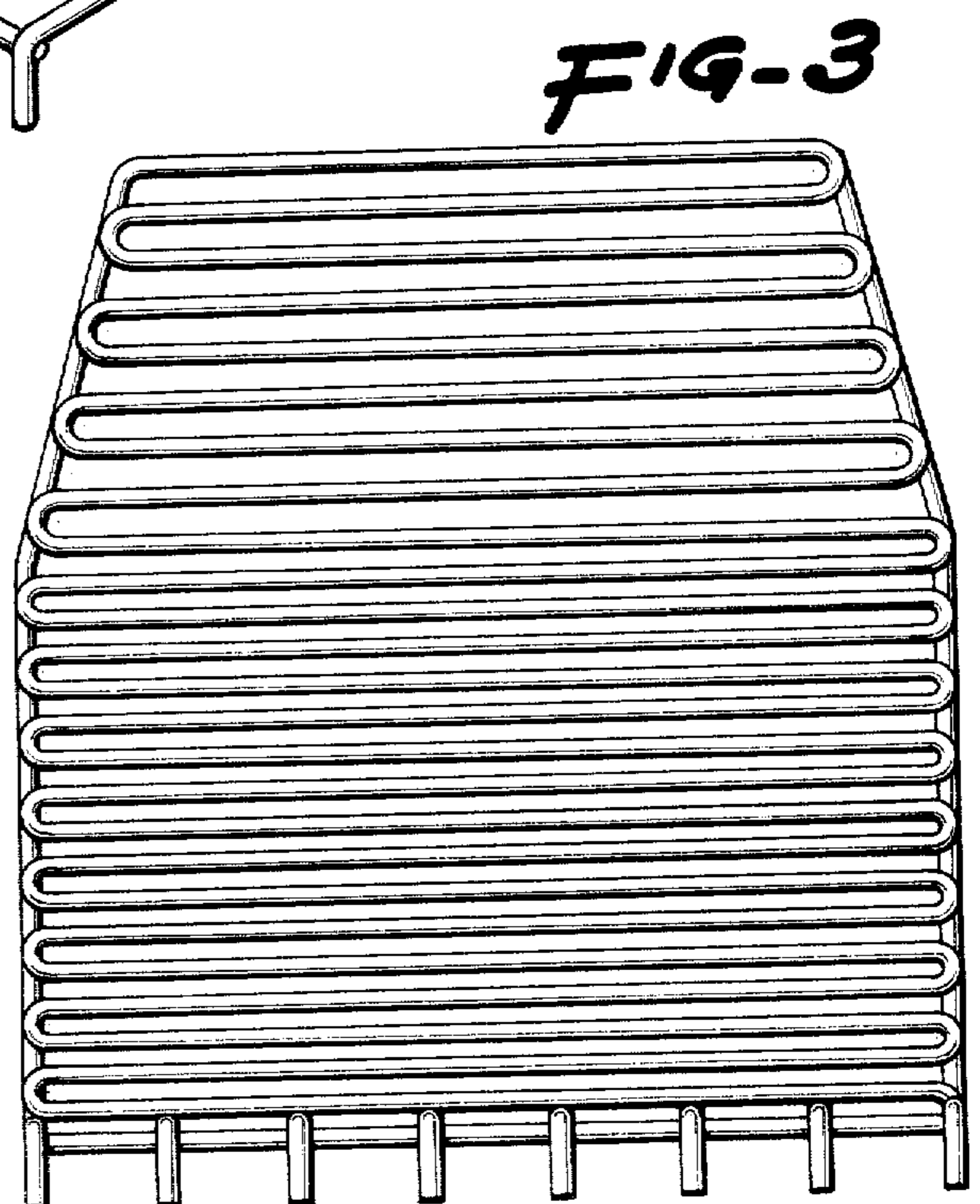
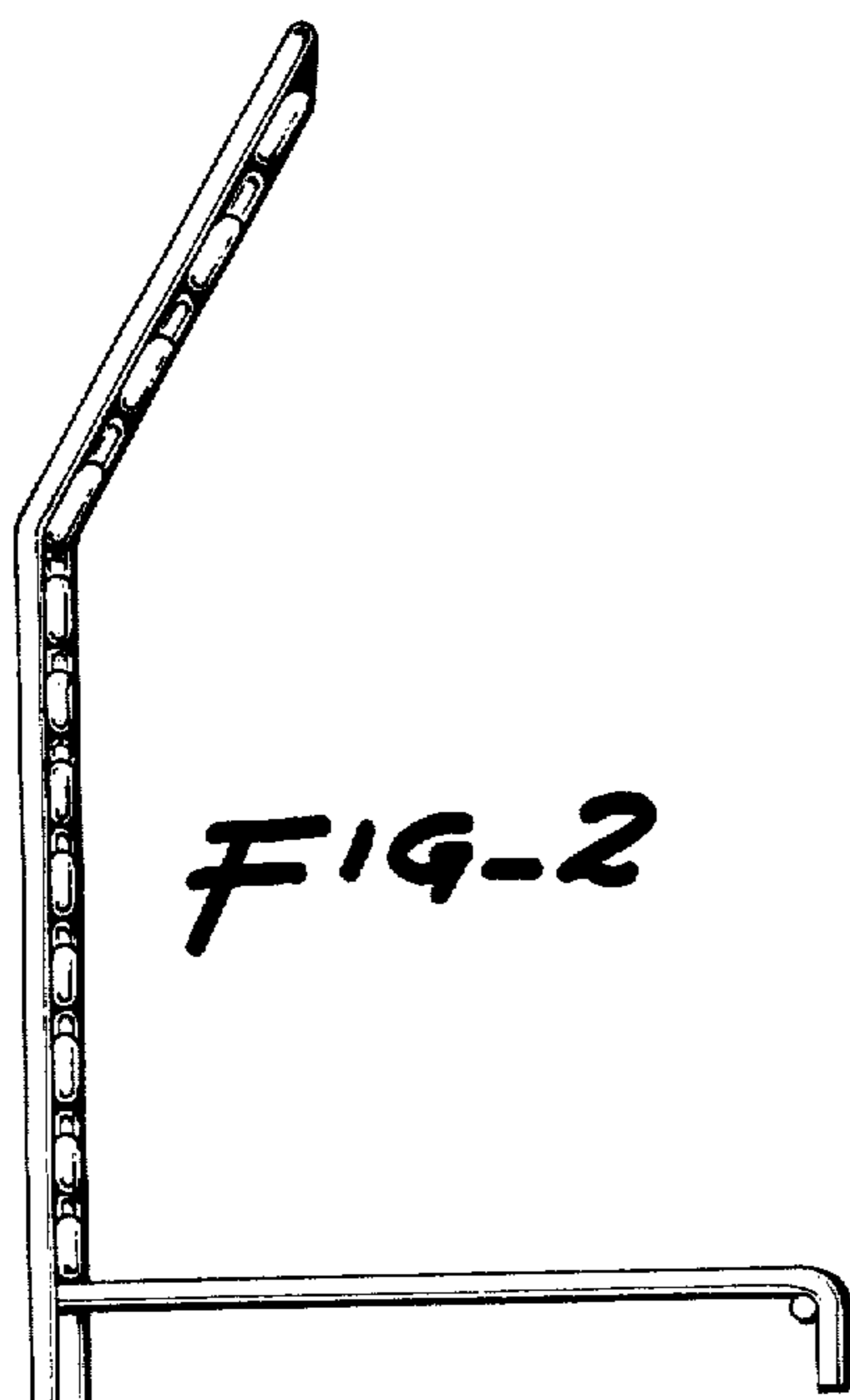
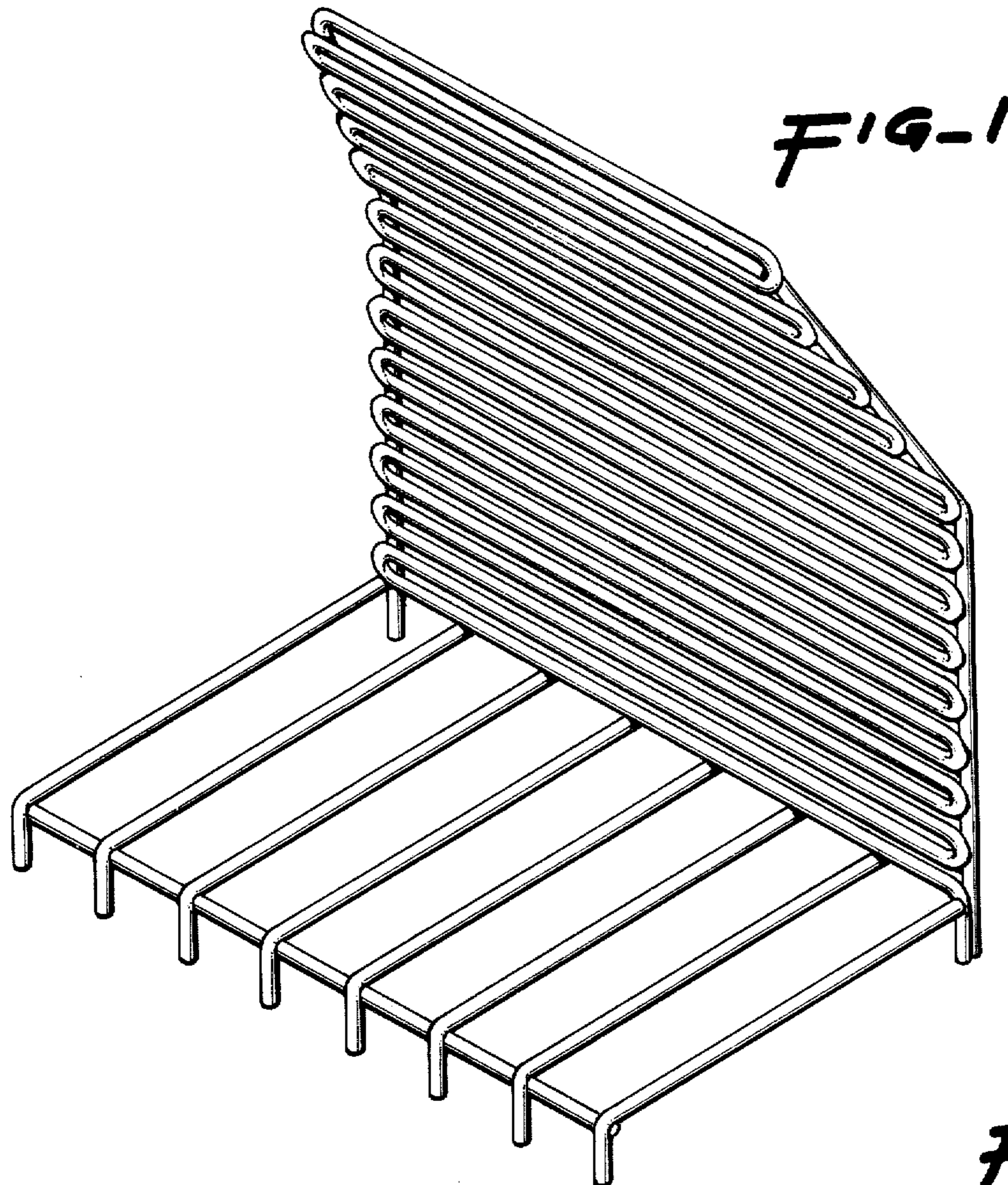
FIG. 1 is a right front perspective view of a combined grate and water heater insert for wood burning fireplace, showing my new design;  
FIG. 2 is a left side elevational view, the right side being a mirror image thereof;  
FIG. 3 is a top plan view thereof;  
FIG. 4 is a bottom plan view thereof;  
FIG. 5 is a rear elevational view thereof;  
FIG. 6 is a front elevational view thereof.

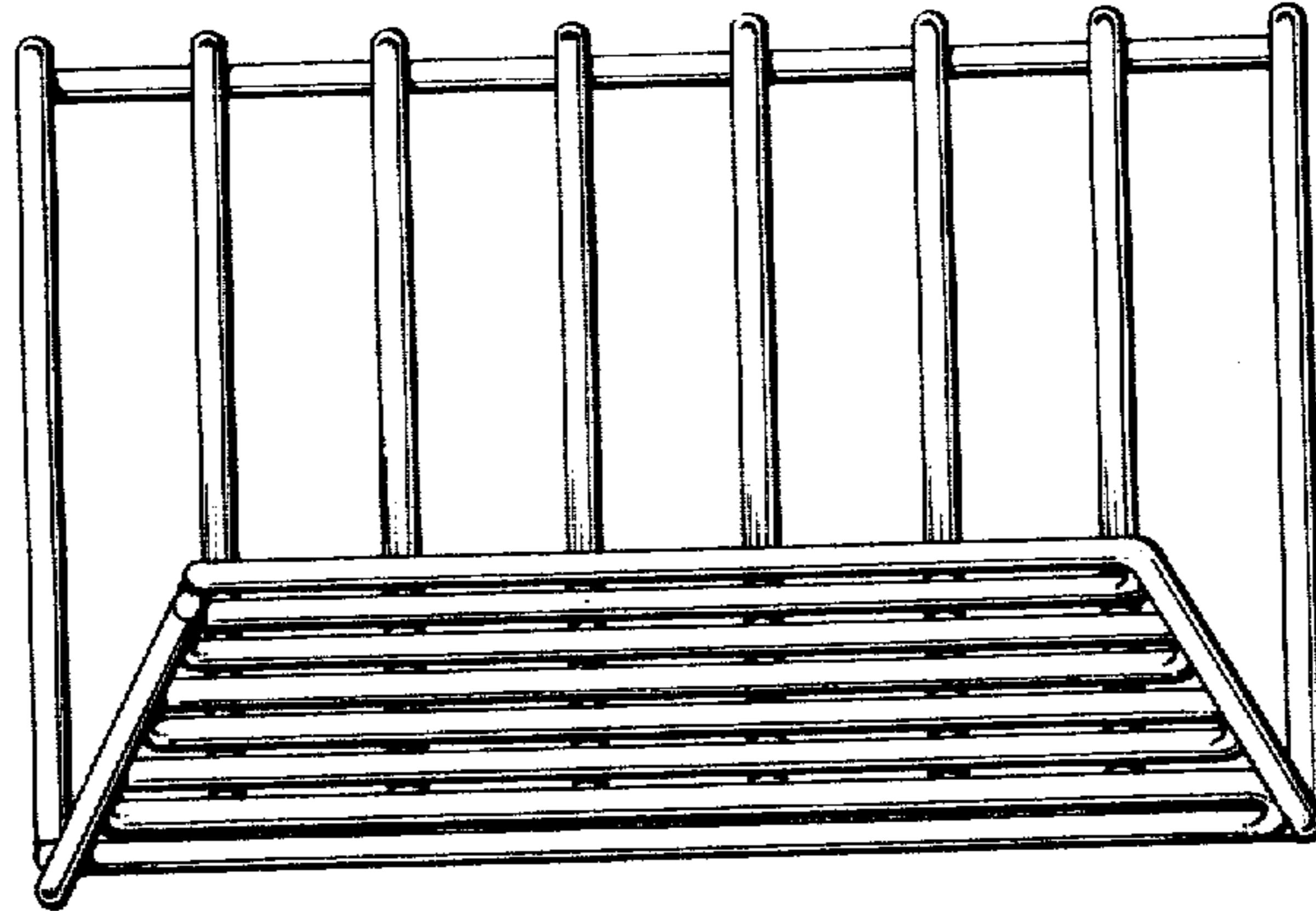
[56] References Cited

U.S. PATENT DOCUMENTS

D. 222,940 2/1972 Gaves ..... D7/207  
3,394,697 7/1968 Lewis ..... 126/132  
4,074,676 2/1978 Thomas ..... 126/132

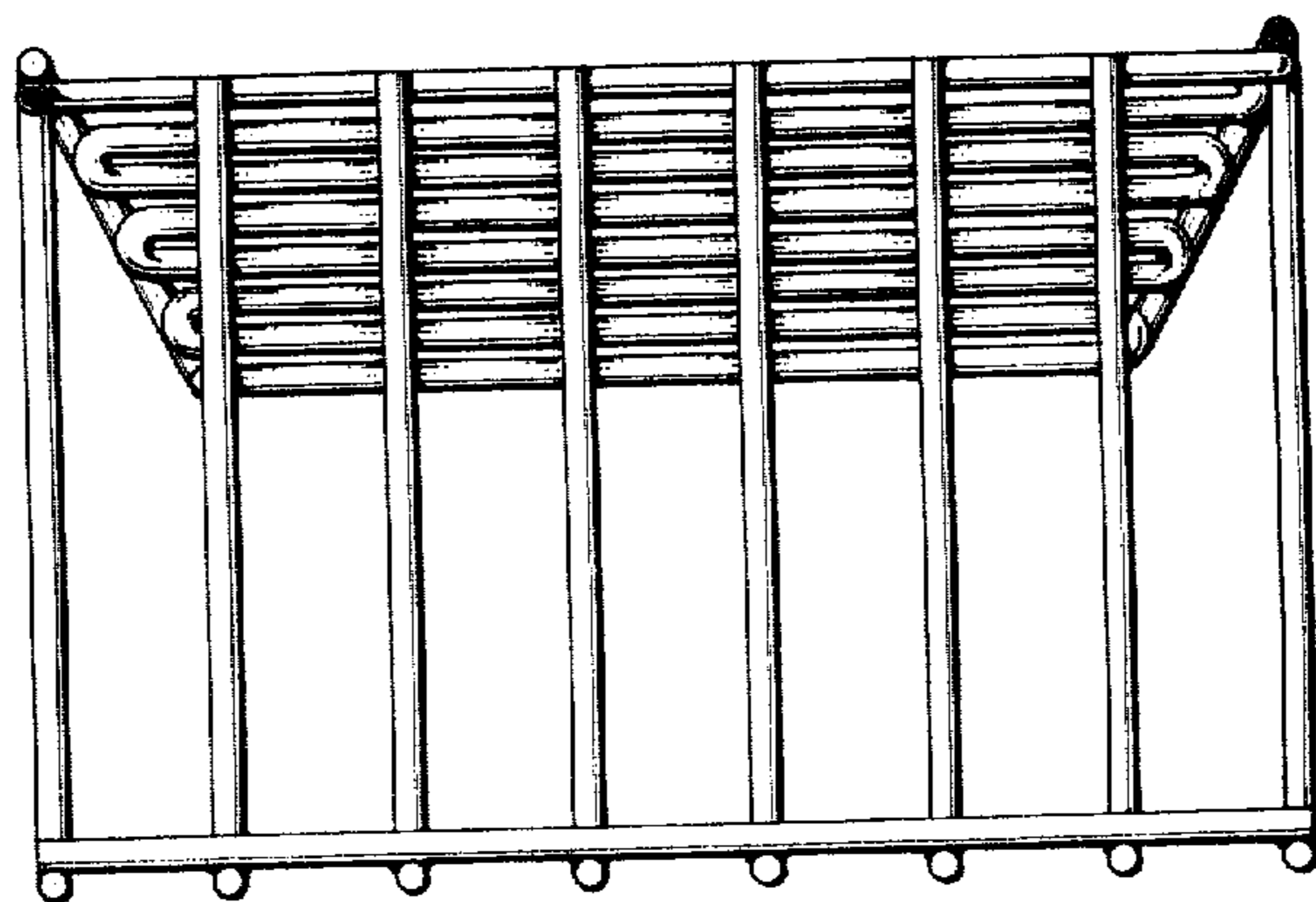
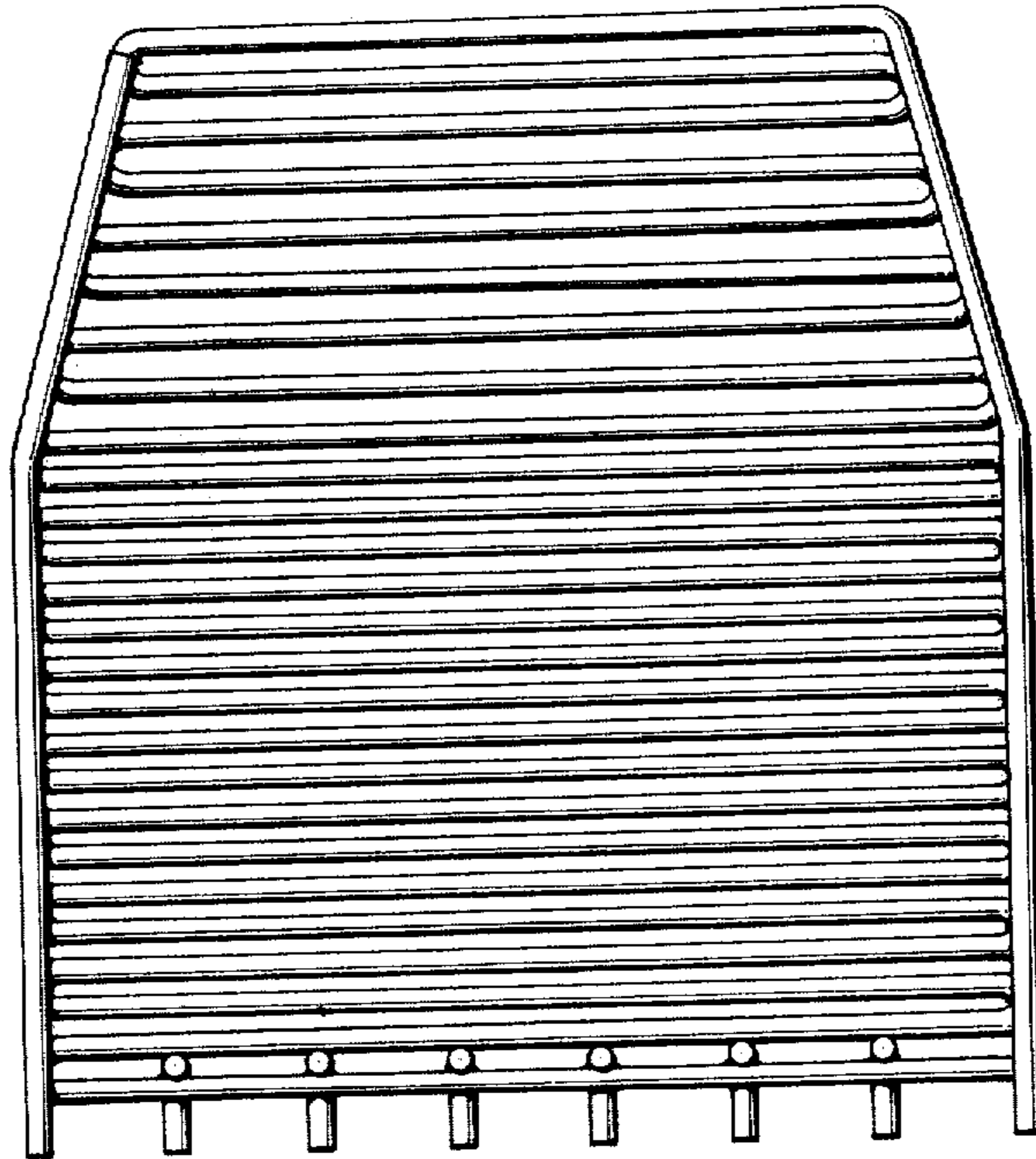






*FIG. 6*

*FIG. 5*



*FIG. 4*