

[54] **FOOD-MIXING APPARATUS**

[75] Inventors: **Robert O. Ernest, Oak Park; Bernard B. Bluestein, Des Plaines, both of Ill.**

[73] Assignee: **Sunbeam Corporation, Chicago, Ill.**

[**] Term: **14 Years**

[21] Appl. No.: **167,626**

[22] Filed: **Jul. 11, 1980**

[51] Int. Cl. **D7-04**
 [52] U.S. Cl. **D7/159; D7/153**
 [58] Field of Search **D7/153, 154, 155, 156, D7/157, 158, 159, 160, 41; D15/92, 98, 99, 100**

[56] **References Cited**

U.S. PATENT DOCUMENTS

D. 170,130 8/1953 Moore D7/159
 D. 189,936 3/1961 Grange D15/98
 D. 209,072 10/1967 Duncan D7/159

D. 254,948 5/1980 Besford D7/153
 D. 254,949 5/1980 Besford D7/153
 D. 254,950 5/1980 Besford D7/153
 D. 256,318 8/1980 Levin D7/154
 3,951,351 4/1976 Ernster et al. 241/101.1

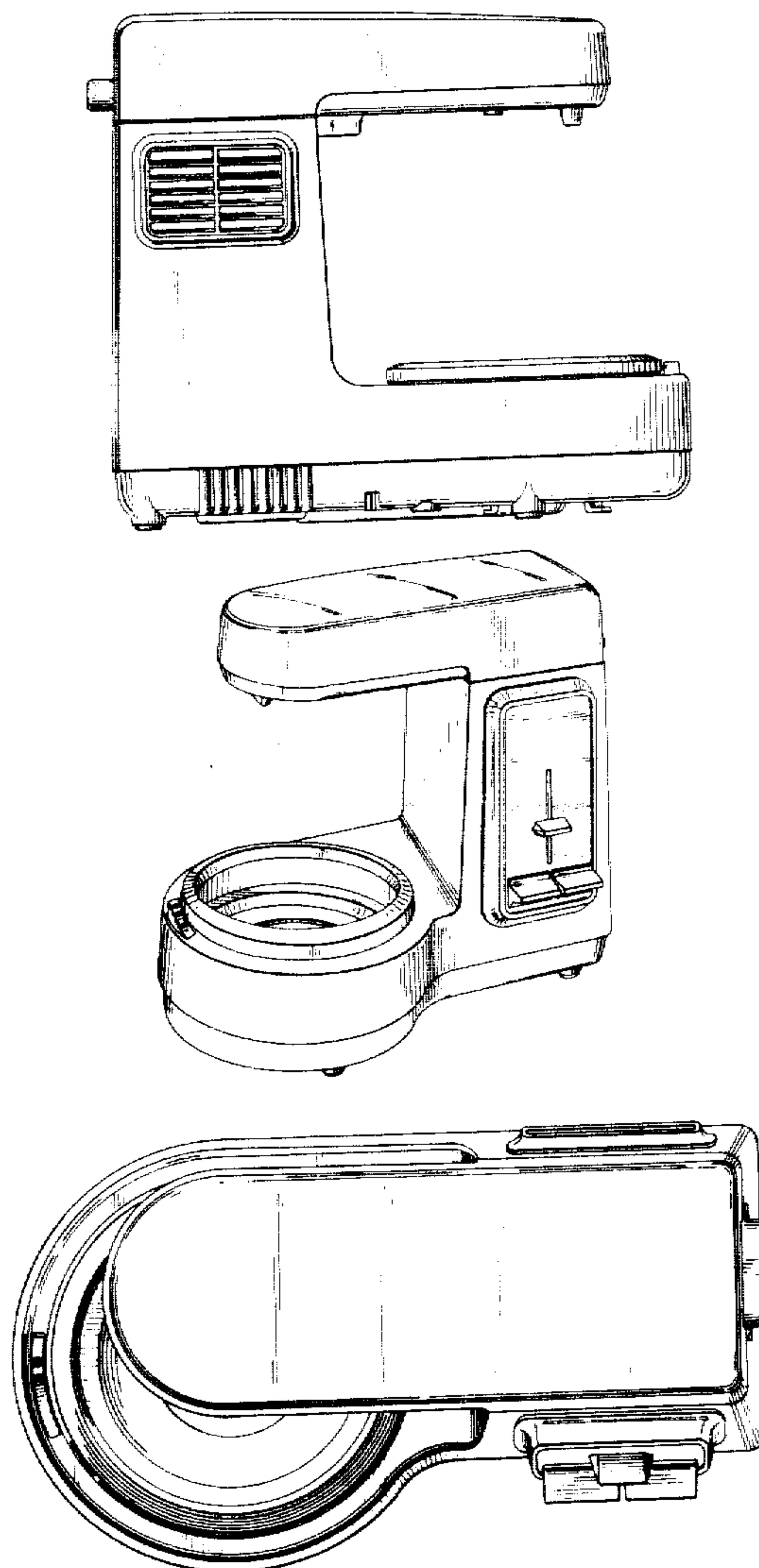
Primary Examiner—Winifred E. Herrmann
Attorney, Agent, or Firm—George R. Clark; Neil M. Rose; Allen J. Hoover

[57] **CLAIM**

The ornamental design for a food-mixing apparatus, as shown.

DESCRIPTION

FIG. 1 is a perspective view of a food-mixing apparatus showing our new design;
 FIG. 2 is a front elevational view thereof;
 FIG. 3 is a rear elevational view thereof;
 FIG. 4 is a top plan view thereof;
 FIG. 5 is a left side elevational view thereof;
 FIG. 6 is a right side elevational view thereof; and
 FIG. 7 is a bottom plan view thereof.



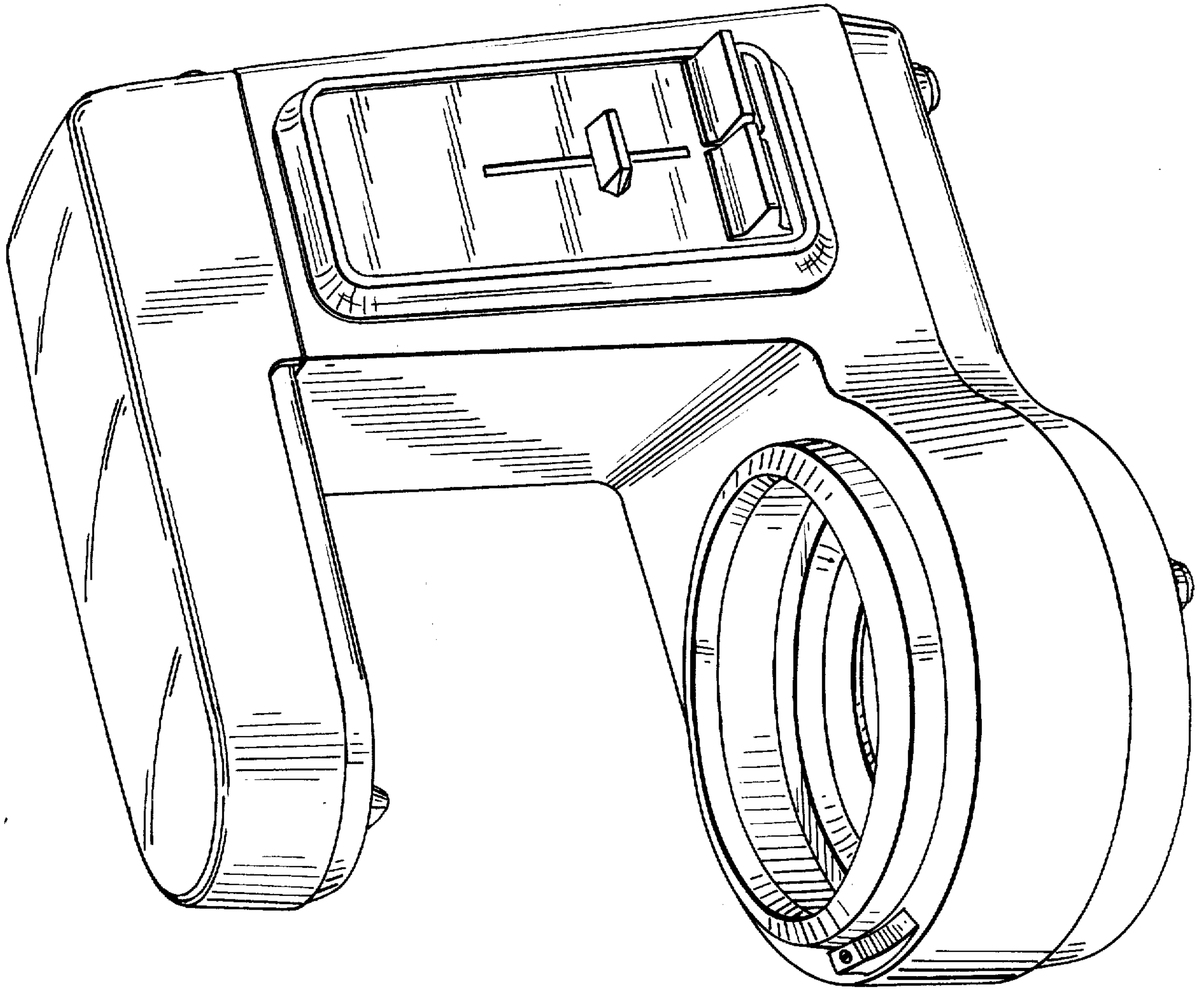


FIG. 1

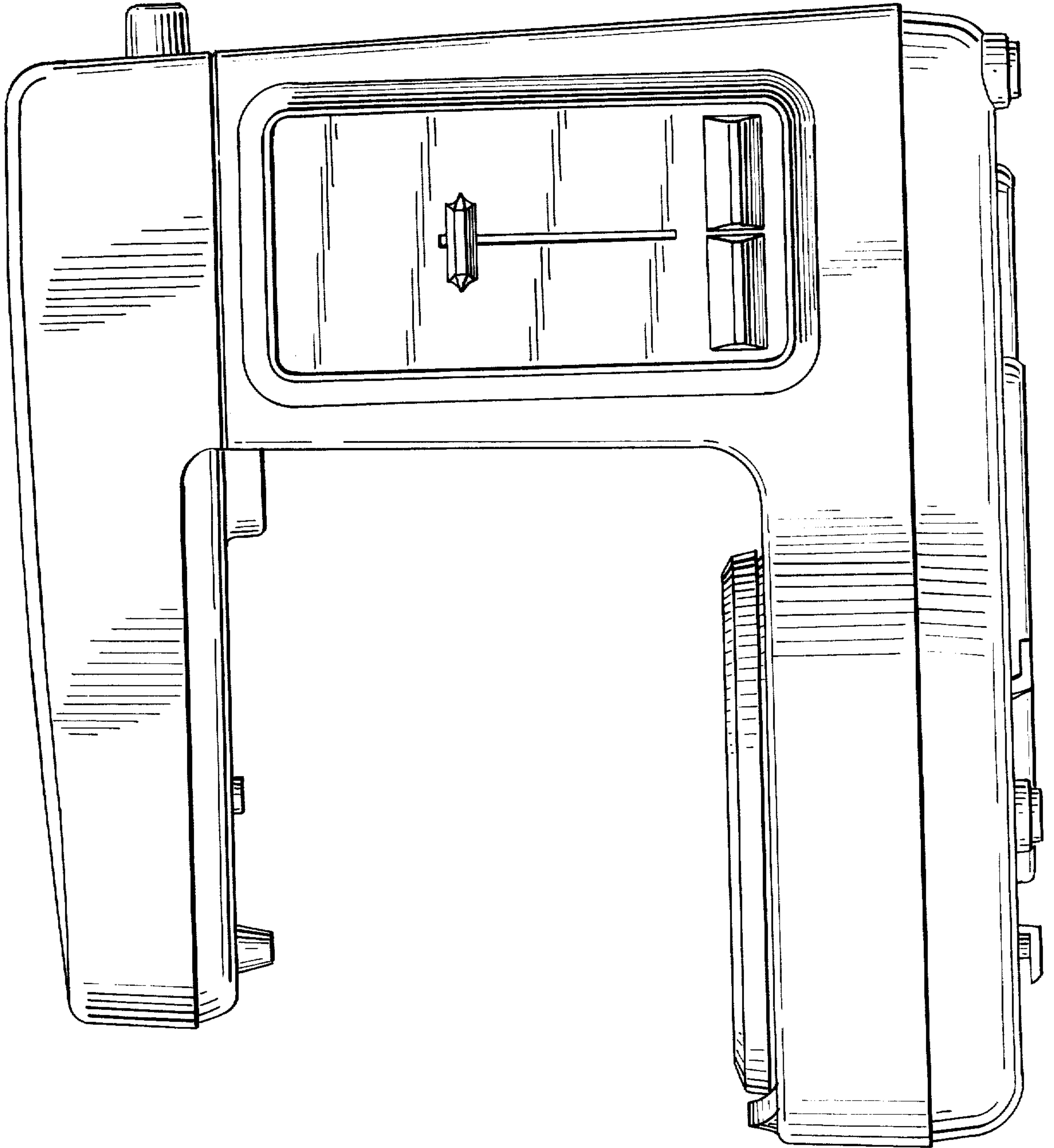


FIG. 2

FIG. 3

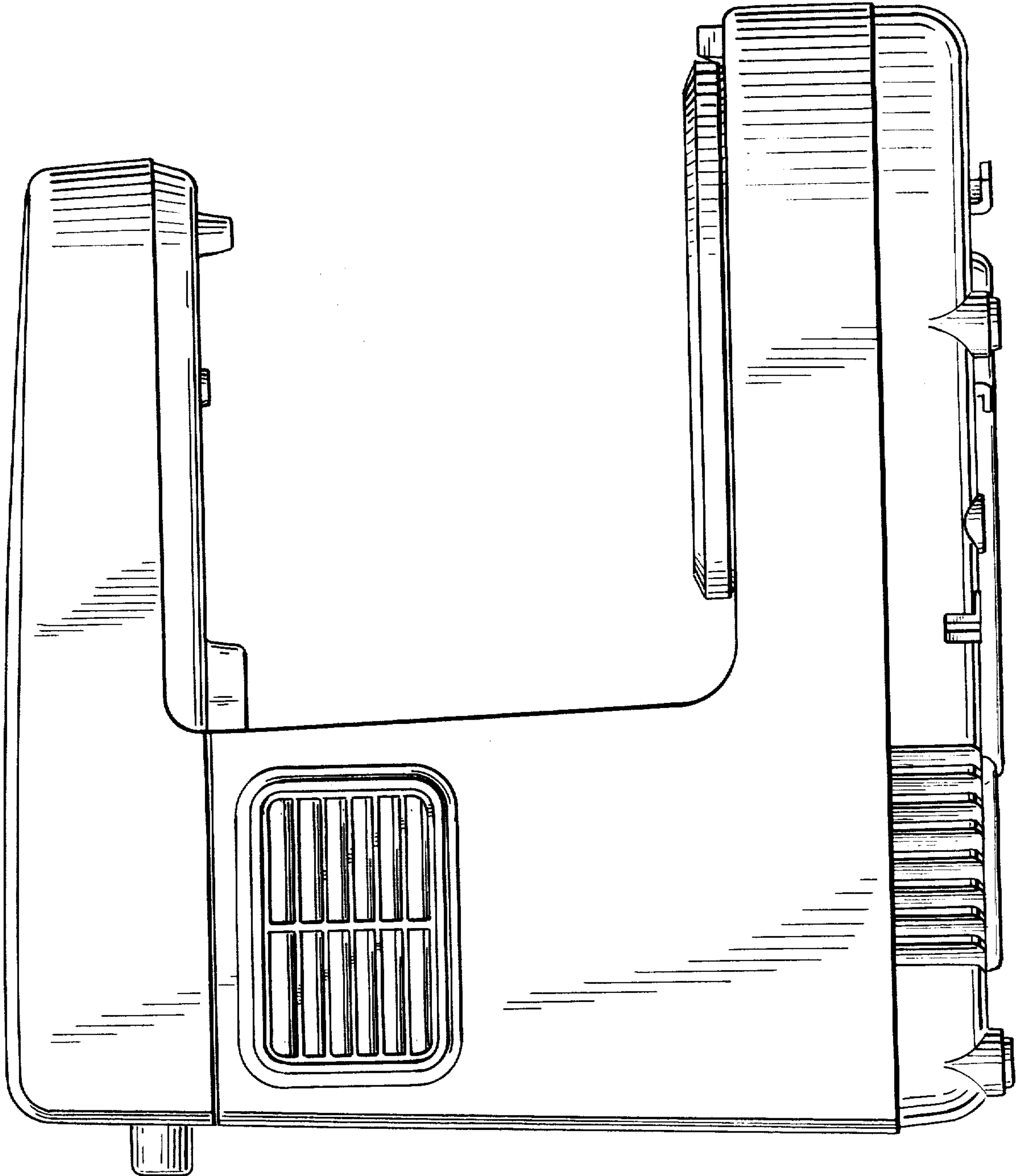
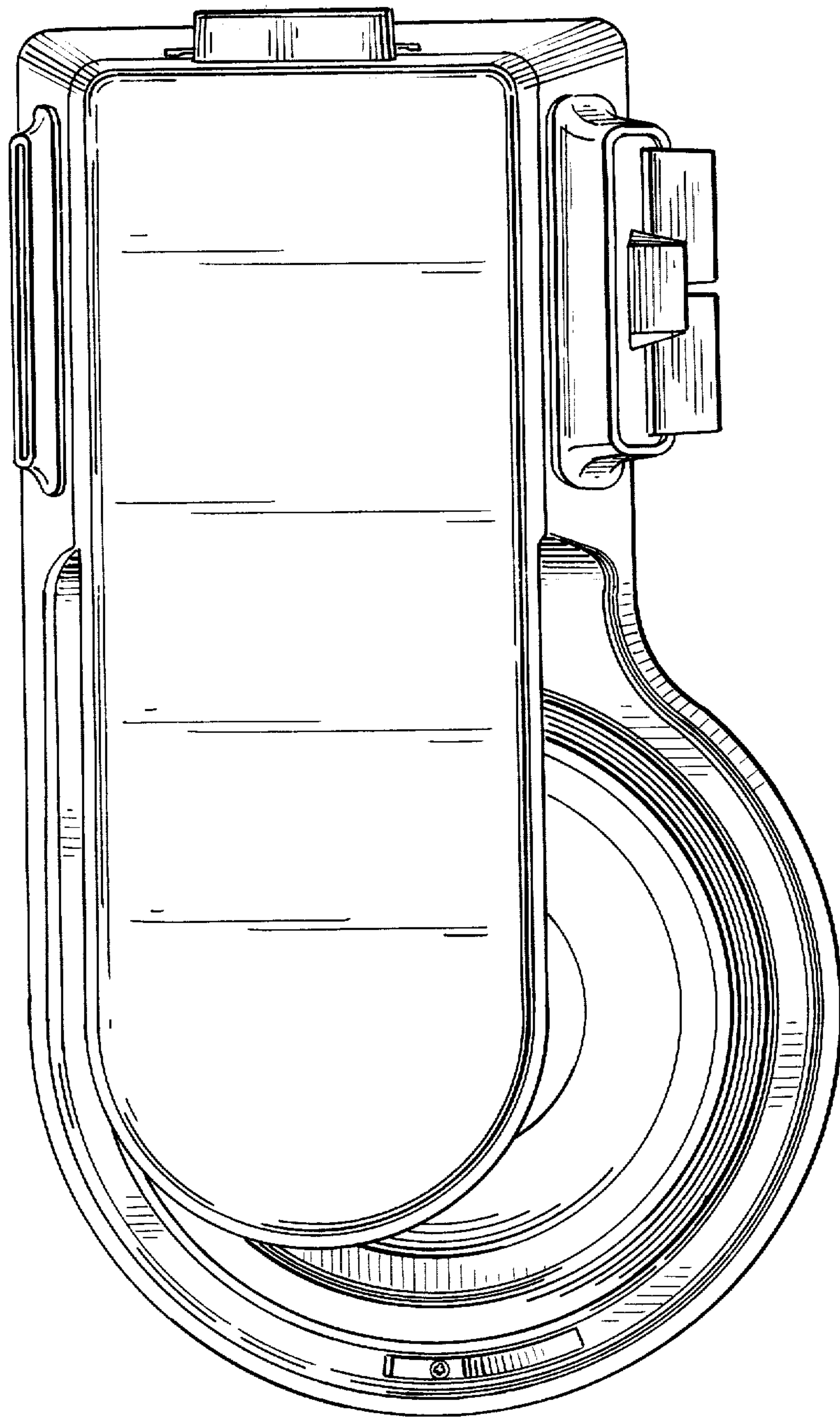


FIG. 4



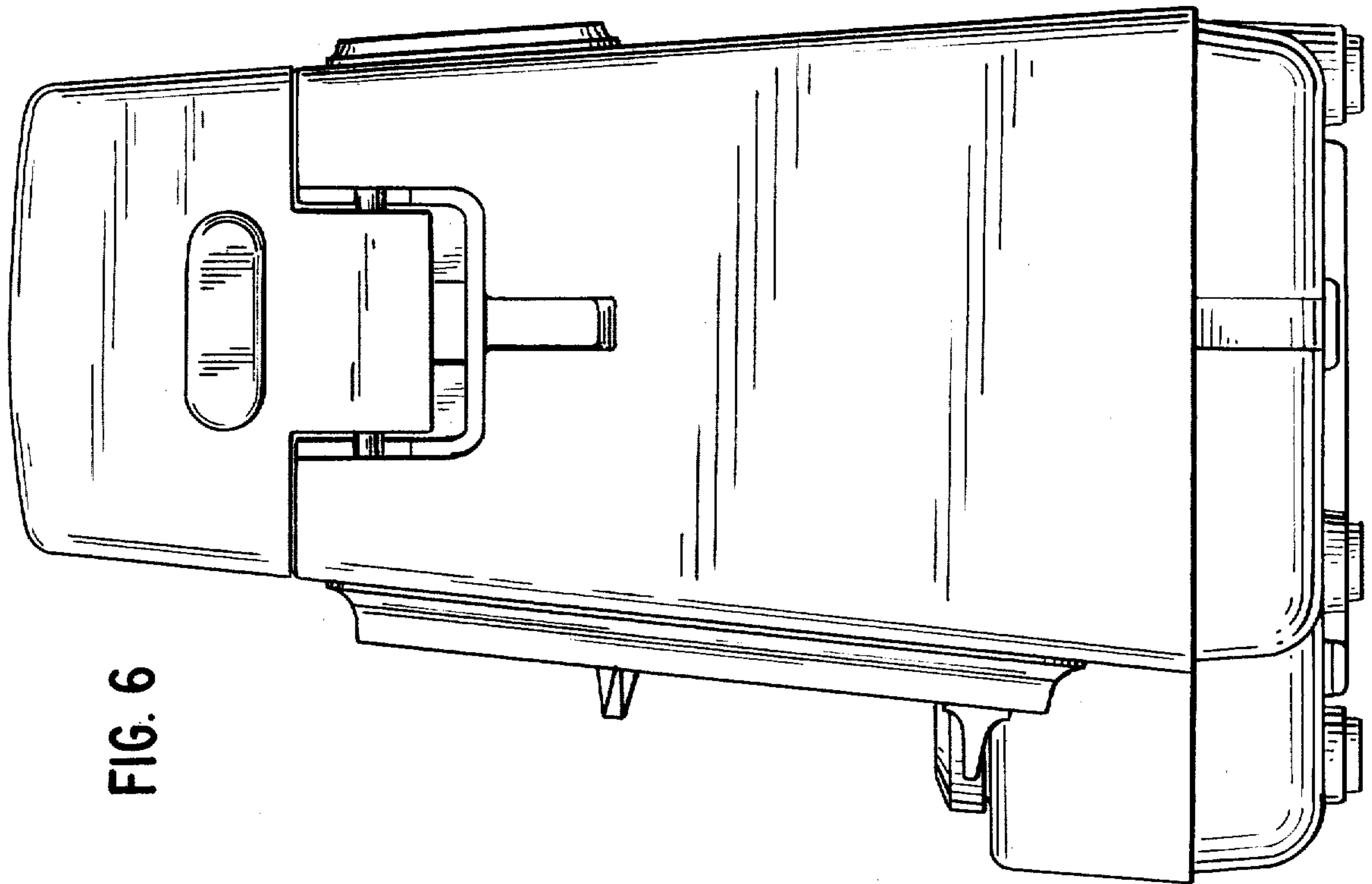


FIG. 6

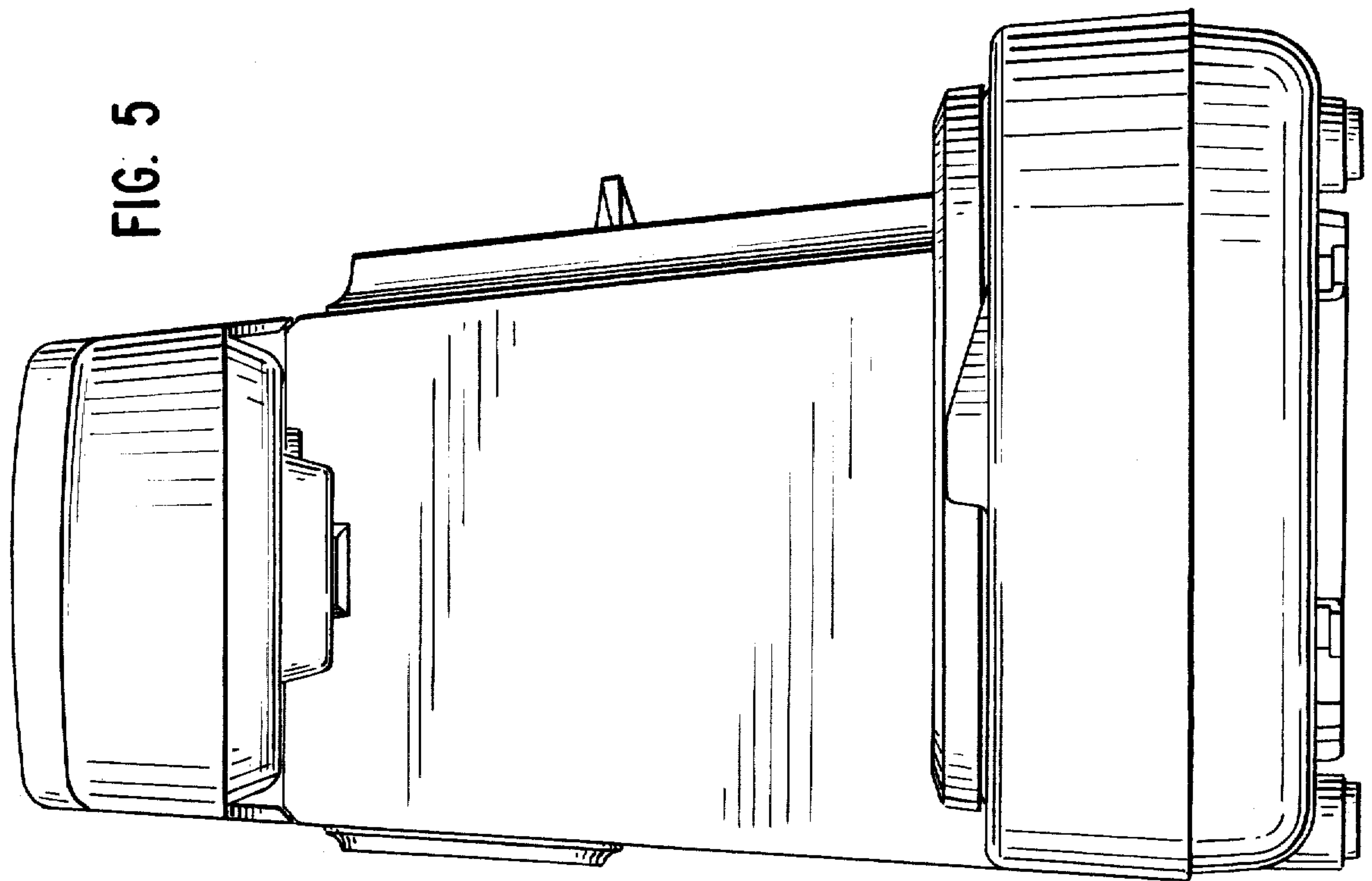


FIG. 5

FIG. 7

