

[54] **FOOD PROCESSOR BASE**
 [75] Inventors: **Robert O. Ernest, Oak Park; Richard K. Thomas, Elk Grove Village, both of Ill.**
 [73] Assignee: **Sunbeam Corporation, Chicago, Ill.**
 [**] Term: **14 Years**
 [21] Appl. No.: **163,833**
 [22] Filed: **Jun. 27, 1980**

D. 255,758 7/1980 Steinkamp et al. D7/153
 D. 256,087 7/1980 Minami D7/153
 4,199,268 4/1980 Parzych D7/153 X

Primary Examiner—Winifred E. Herrmann
Attorney, Agent, or Firm—George R. Clark; Neil M. Rose; Clifford A. Dean

[51] Int. Cl. **D07—04**
 [52] U.S. Cl. **D7/153; D7/154**
 [58] Field of Search **D7/153, 154, 155, 156, D7/157, 158, 159, 160; D15/92, 98, 99, 100**

[57] **CLAIM**
 The ornamental design for a food processor base, as shown and described.

[56] **References Cited**
U.S. PATENT DOCUMENTS
 D. 209,652 12/1967 Weiss D7/154
 D. 216,237 12/1969 Levin D7/154

DESCRIPTION

FIG. 1 is a front perspective view of a food processor base embodying my new design; FIG. 2 is a top plan view thereof on an enlarged scale; FIG. 3 is a left end elevational view thereof on an enlarged scale, the opposite end elevational view being generally plain and unornamented as shown in the perspective view of FIG. 1; and FIG. 4 is a rear elevational view thereof on an enlarged scale.

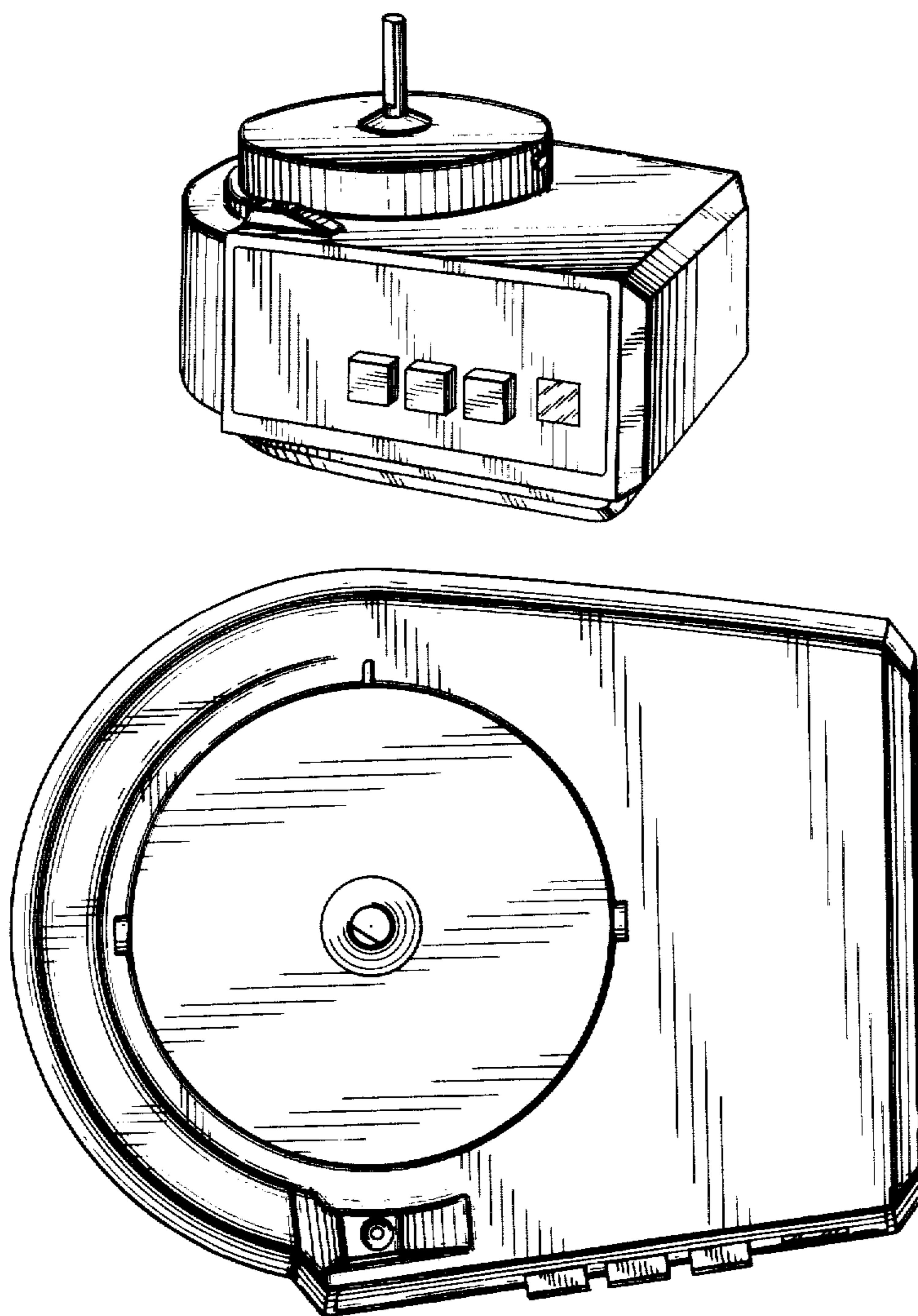


Fig. 1.

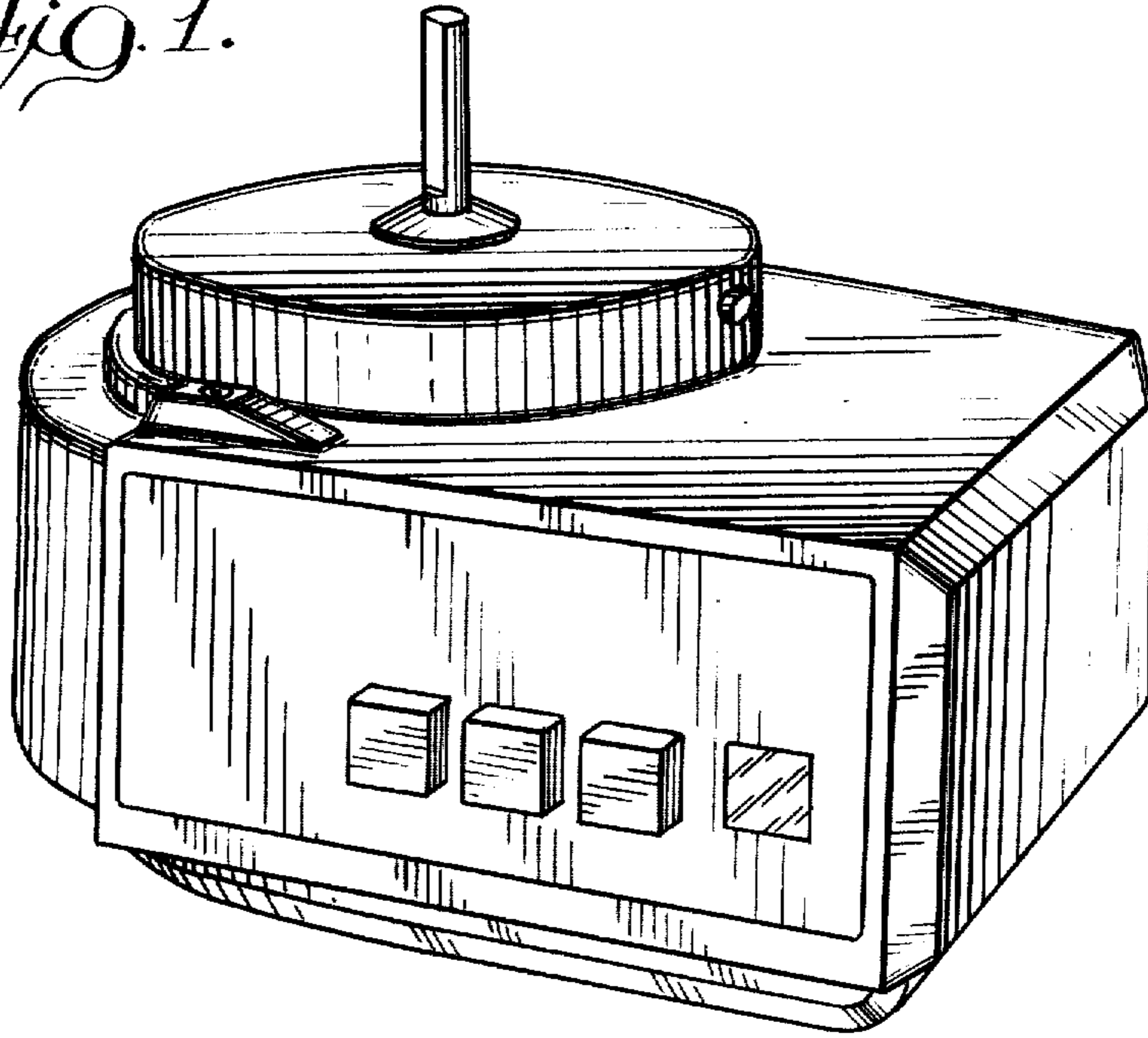


Fig. 2.

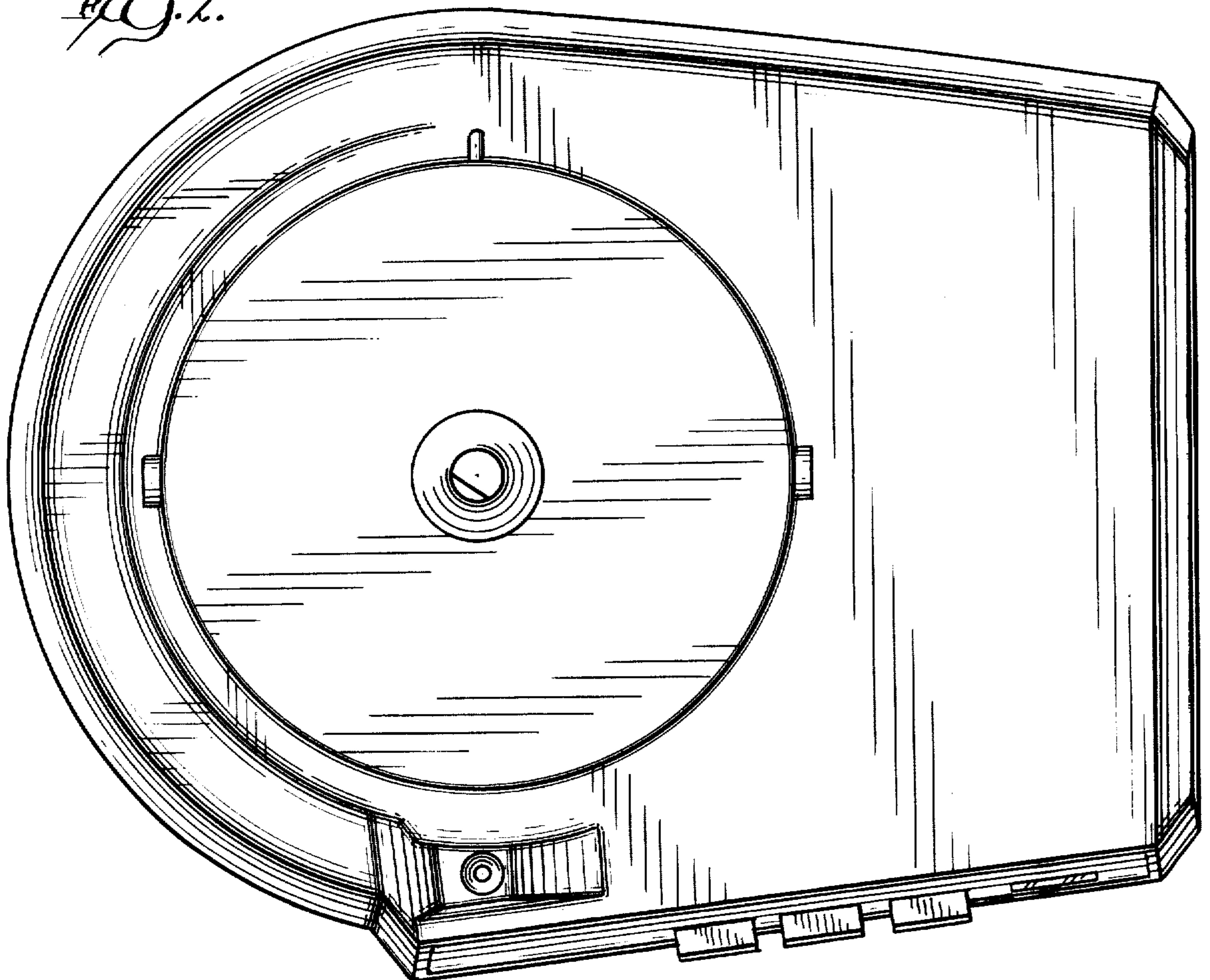


Fig. 3.

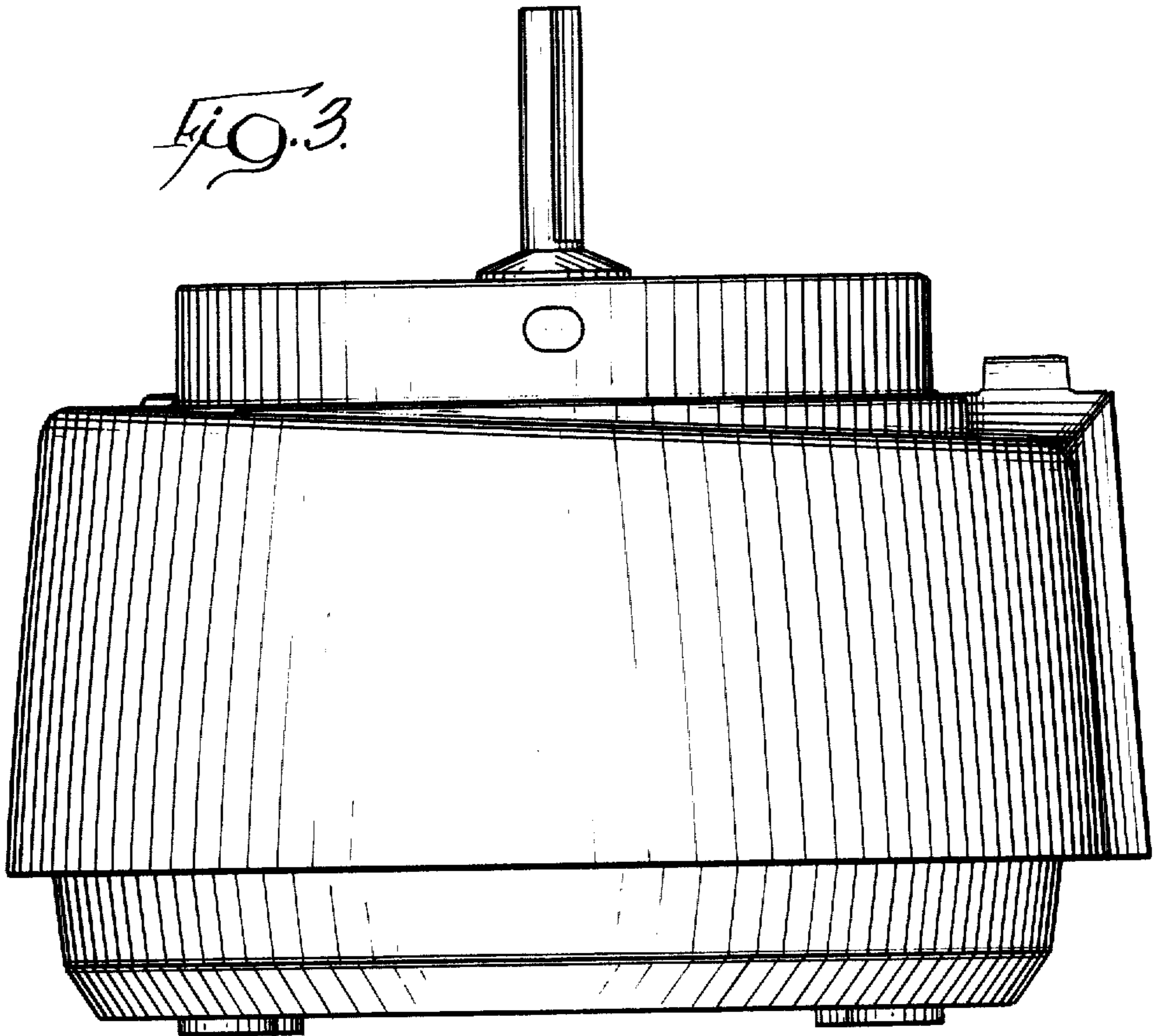


Fig. 4.

