

- [54] **APPLIANCE-DRIVING UNIT FOR A FOOD-PROCESSING APPLIANCE**
- [75] Inventors: **Robert O. Ernest, Oak Park; Bernard B. Bluestein, Des Plaines, both of Ill.**
- [73] Assignee: **Sunbeam Corporation, Chicago, Ill.**
- [\*\*] Term: **14 Years**
- [21] Appl. No.: **167,497**
- [22] Filed: **Jul. 11, 1980**
- [51] Int. Cl. .... **D07-04**
- [52] U.S. Cl. .... **D7/153; D7/159; D7/160**
- [58] Field of Search ..... **D7/153, 154, 155, 156, D7/157, 158, 159, 160, 41; D15/92, 98, 99, 100**

[56] **References Cited**  
**U.S. PATENT DOCUMENTS**

D. 189,936	3/1961	Grange .....	D15/98
D. 191,153	8/1961	Gresens et al. ....	D7/154
D. 226,124	1/1973	Roberts .....	D7/159
D. 254,948	5/1980	Besford .....	D7/153
D. 254,949	5/1980	Besford .....	D7/153
D. 254,950	5/1980	Besford .....	D7/153
D. 256,318	8/1980	Levin .....	D7/154
3,951,351	4/1976	Ernster et al. ....	241/101.1

**OTHER PUBLICATIONS**

*Retailing Home Furnishings*, May 23, 1977, p. 32, bottom right panel, Cuisine Machine-Hamilton Beach.

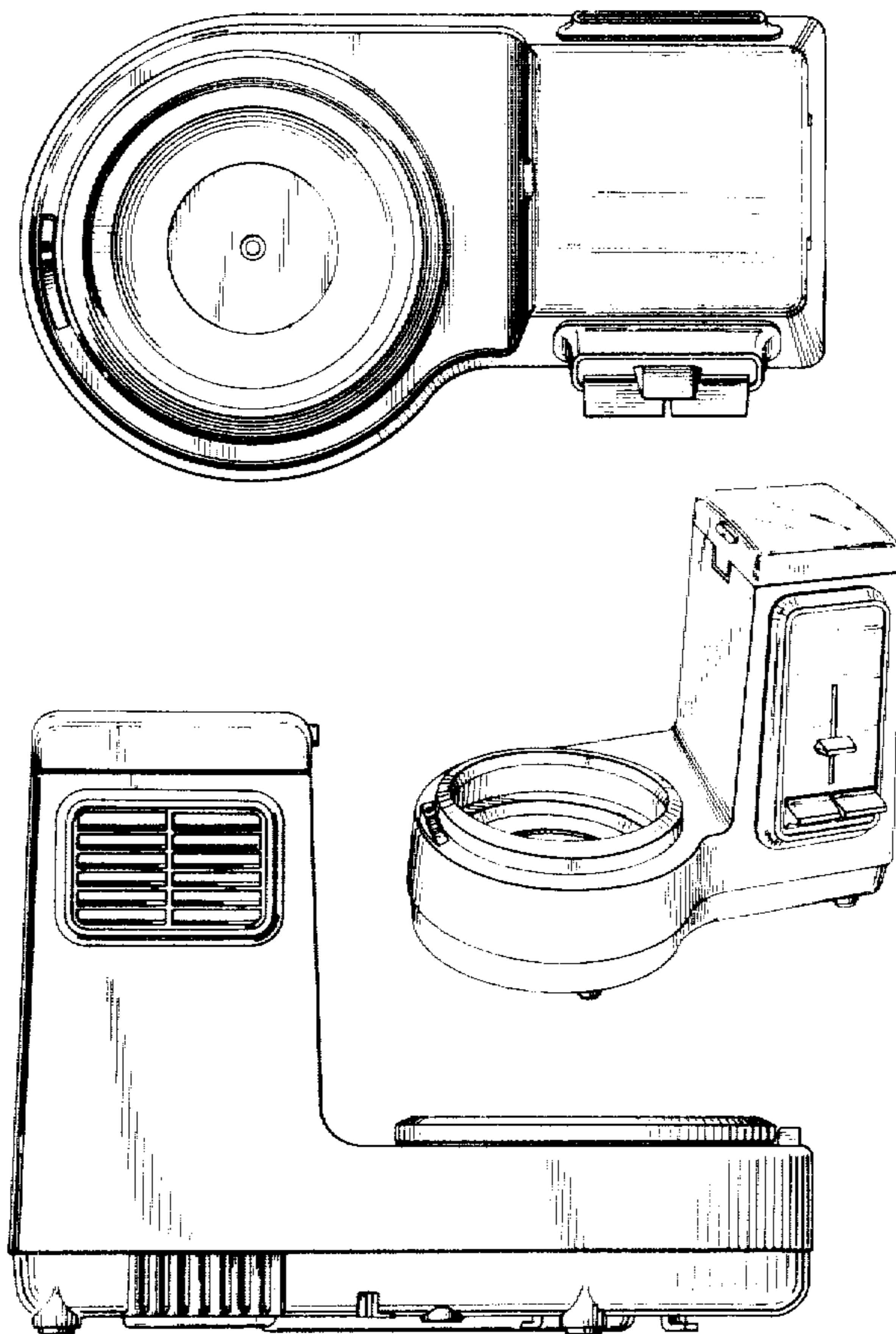
*Primary Examiner*—Winifred E. Herrmann  
*Attorney, Agent, or Firm*—George R. Clark; Neil M. Rose; Allen J. Hoover

[57] **CLAIM**

The ornamental design for an appliance-driving unit for a food-processing appliance, as shown and described.

**DESCRIPTION**

FIG. 1 is a perspective view of an appliance-driving unit for a food-processing appliance showing our new design;  
 FIG. 2 is a front elevational view thereof;  
 FIG. 3 is a rear elevational view thereof;  
 FIG. 4 is a top plan view thereof;  
 FIG. 5 is a left side elevational view thereof;  
 FIG. 6 is a right side elevational view thereof; and  
 FIG. 7 is a bottom plan view thereof.  
 An environmental use of the appliance-driving unit for a food-processing appliance is exemplified in design application Ser. No. 167,626 filed simultaneously herewith by Robert O. Ernest and Bernard B. Bluestein for food-mixing apparatus and assigned commonly herewith.



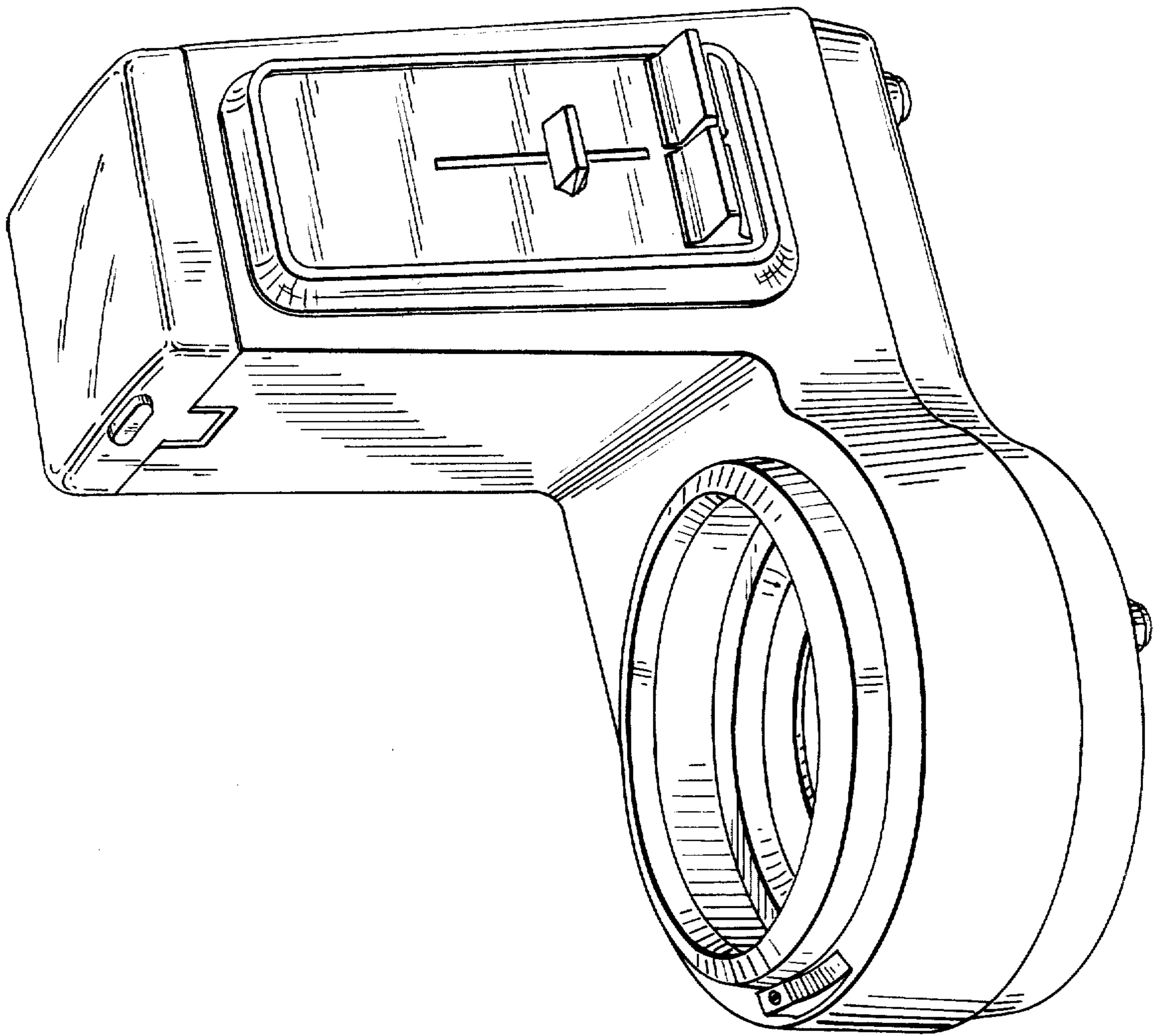


FIG. 1

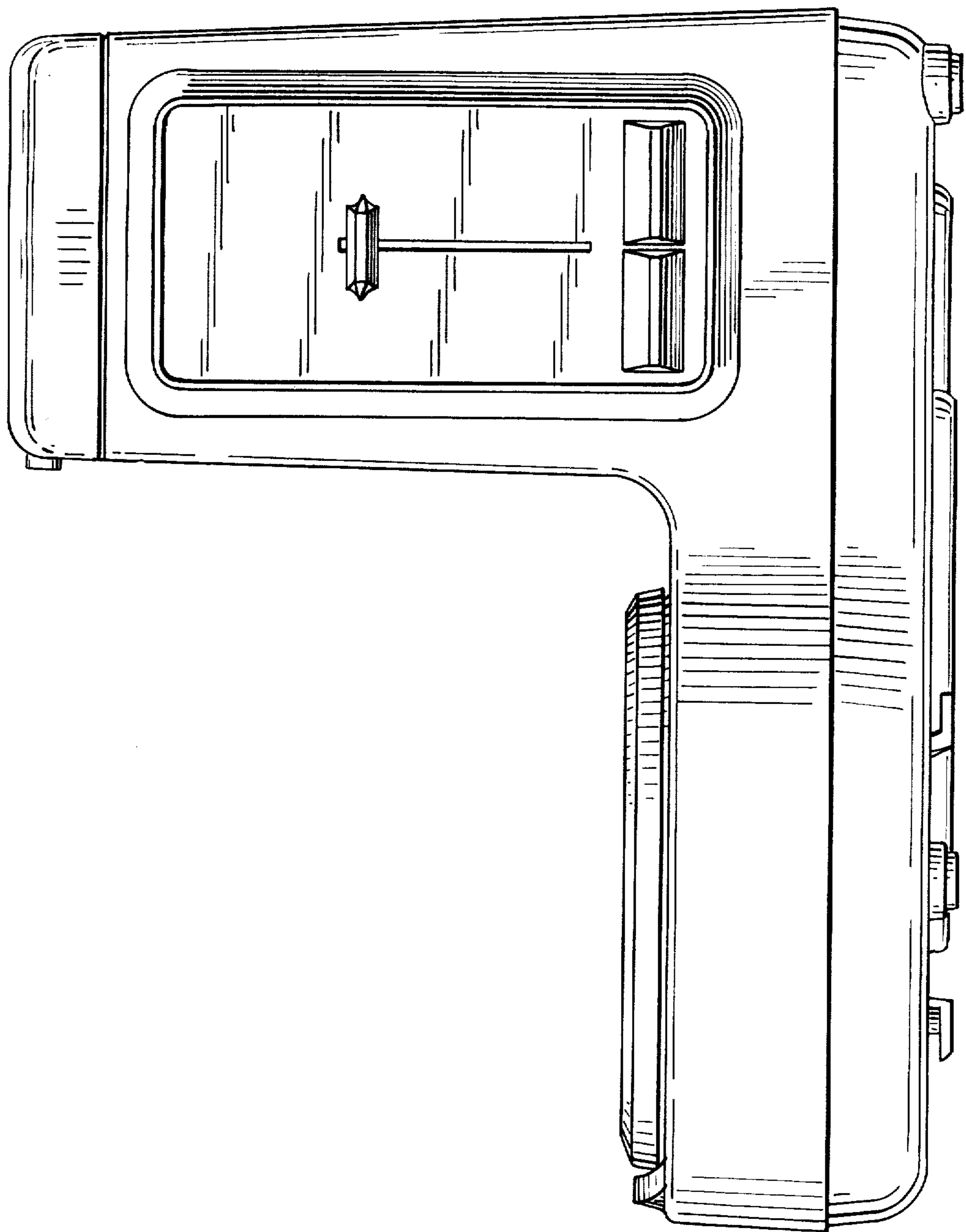


FIG. 2

FIG. 3

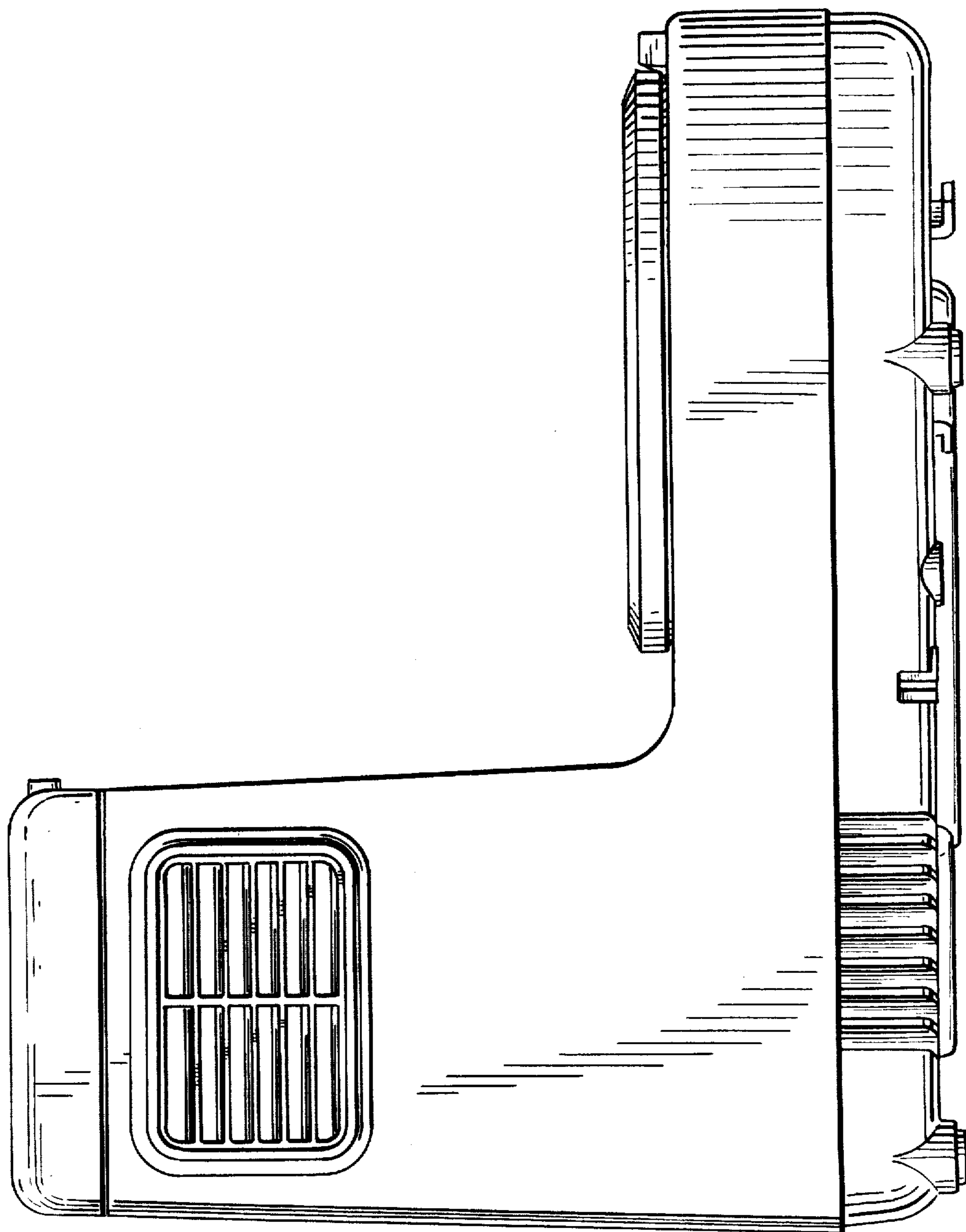


FIG. 4

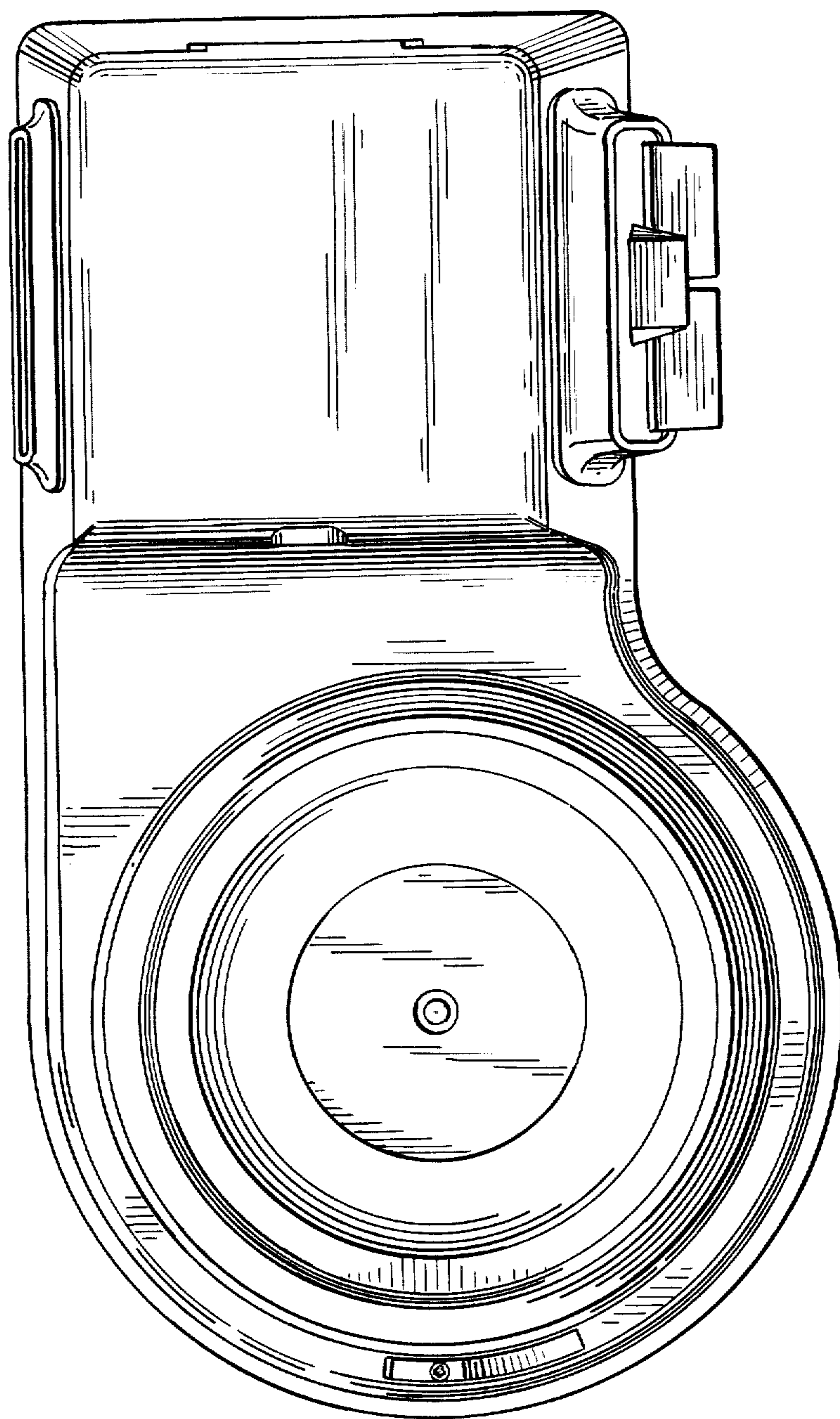


FIG. 6

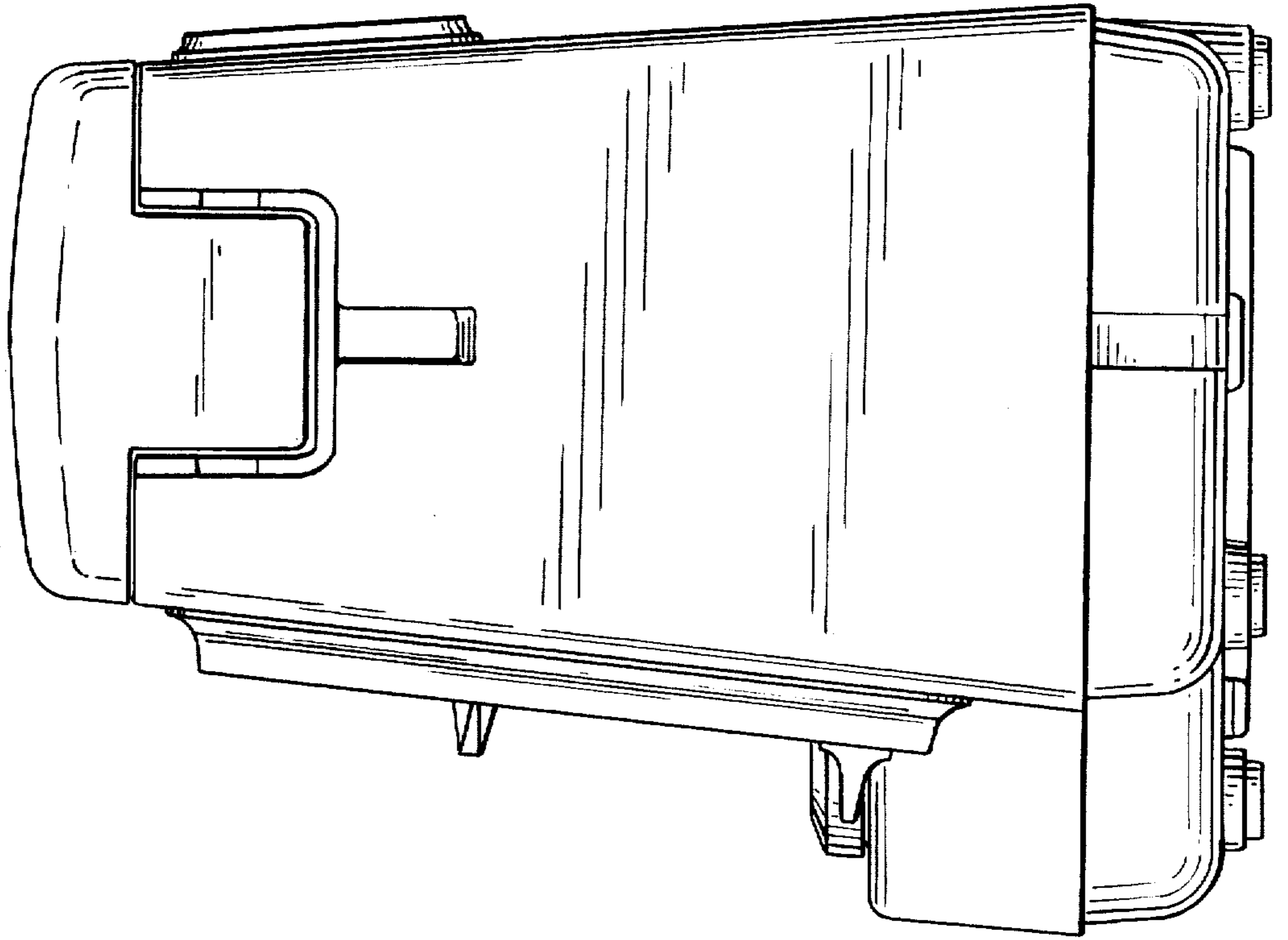


FIG. 5

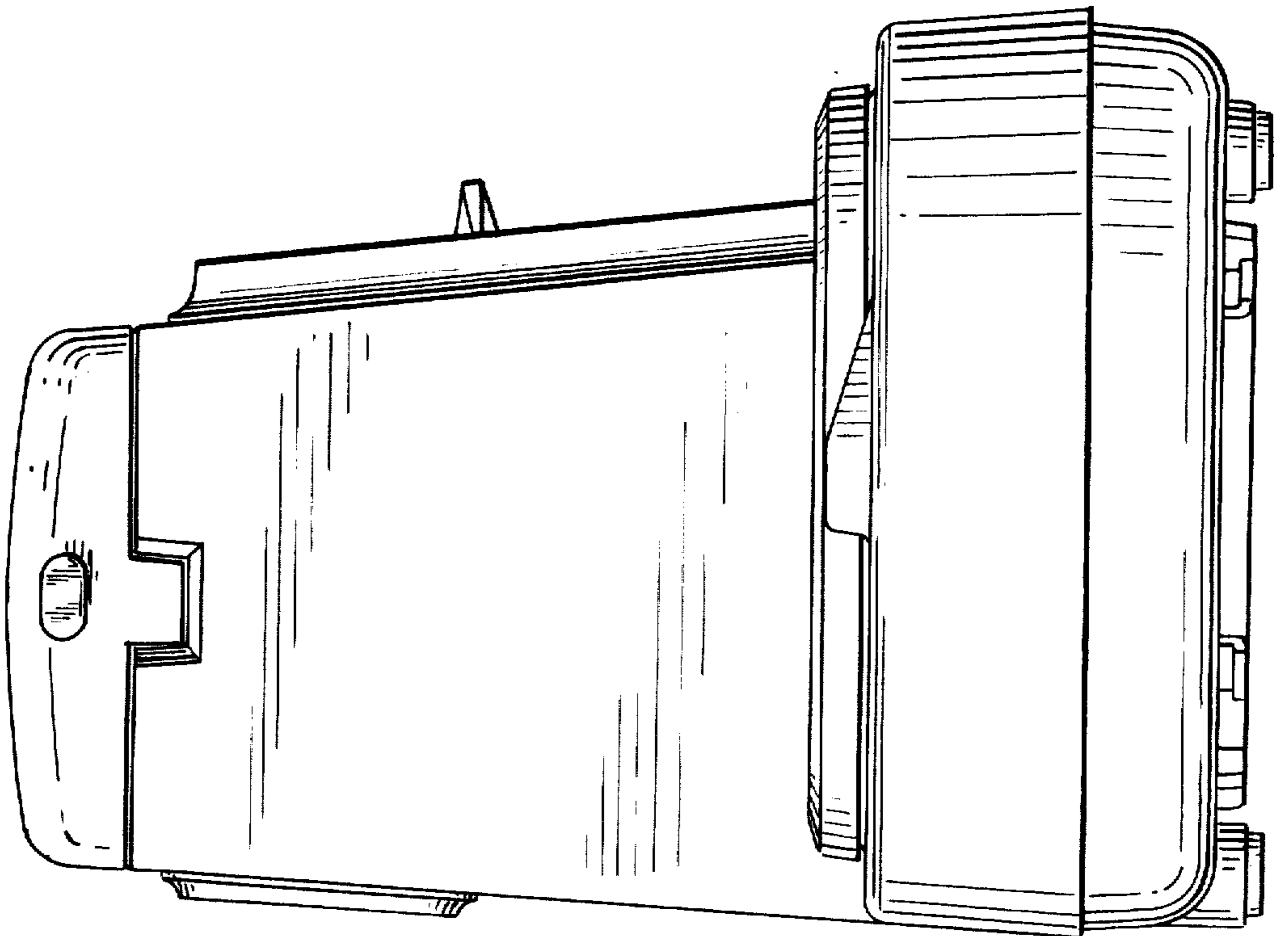


FIG. 7

