

[54] TOASTER

[75] Inventor: Craig B. Kelley, Wayne, Pa.

[73] Assignee: SCM Corporation, New York, N.Y.

[**] Term: 14 Years

[21] Appl. No.: 167,085

[22] Filed: Jul. 8, 1980

[51] Int. Cl. D07-02

[52] U.S. Cl. D7/93

[58] Field of Search D7/91, 92, 93, 126,
D7/94; D15/104

[56] References Cited

U.S. PATENT DOCUMENTS

- D. 148,936 3/1948 Layton D7/93
- D. 208,604 9/1967 Leman D7/93

- D. 220,809 5/1971 Krammes D7/93
- D. 226,242 1/1973 Weiss D7/93
- D. 258,926 4/1981 Hentschel D7/93
- 3,685,434 8/1972 Harrison D7/92 X

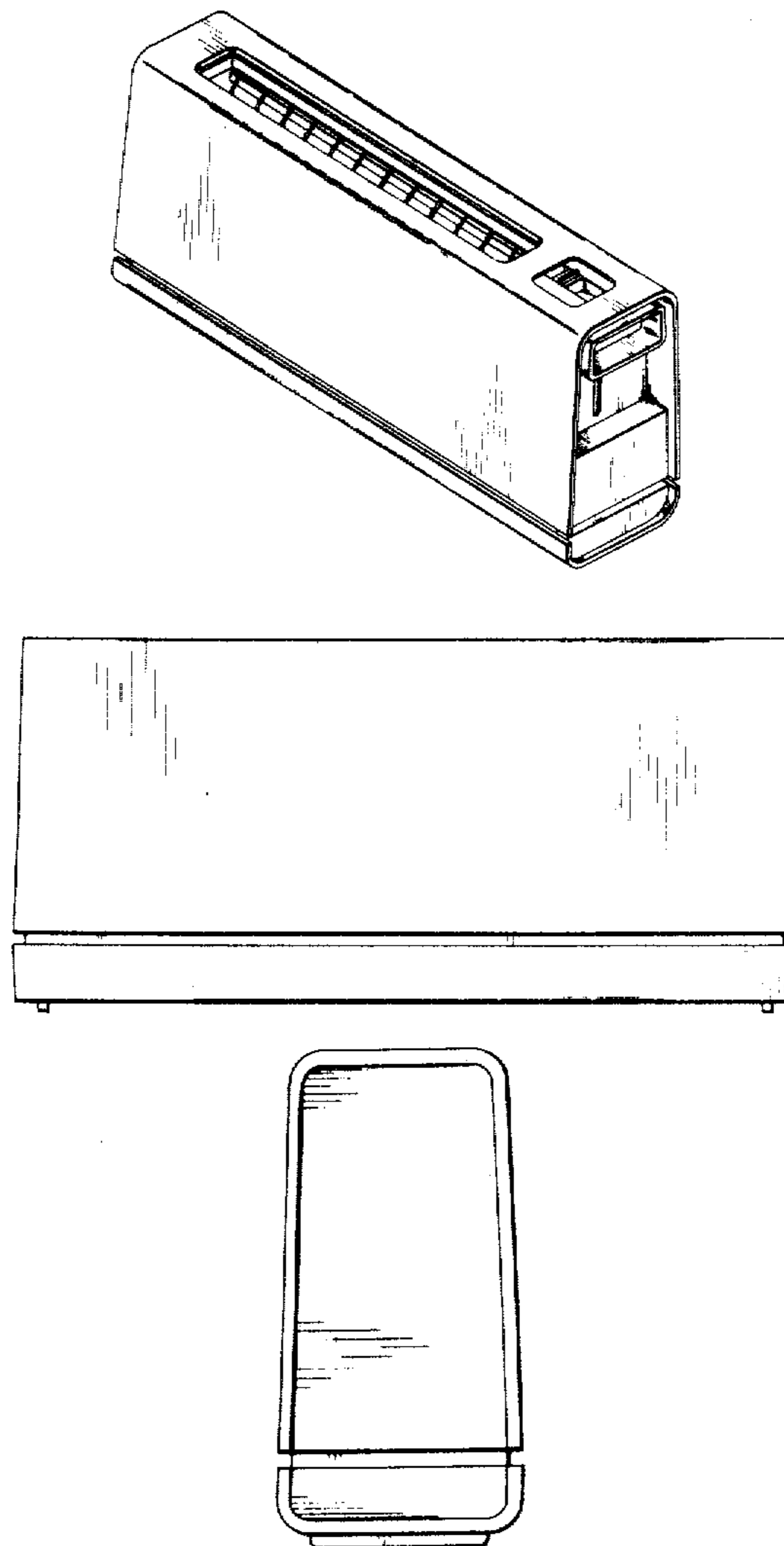
Primary Examiner—Winifred E. Herrmann
Attorney, Agent, or Firm—William E. Mear, III; Ernest F. Weinberger

[57] CLAIM

The ornamental design for a toaster, as shown.

DESCRIPTION

FIG. 1 is a front perspective view of a toaster showing my new design;
 FIG. 2 is a front elevational view thereof;
 FIG. 3 is a rear elevational view thereof;
 FIG. 4 is a top plan view thereof;
 FIG. 5 is a bottom plan view thereof;
 FIG. 6 is a left side elevational view thereof; and
 FIG. 7 is a right side elevational view thereof.



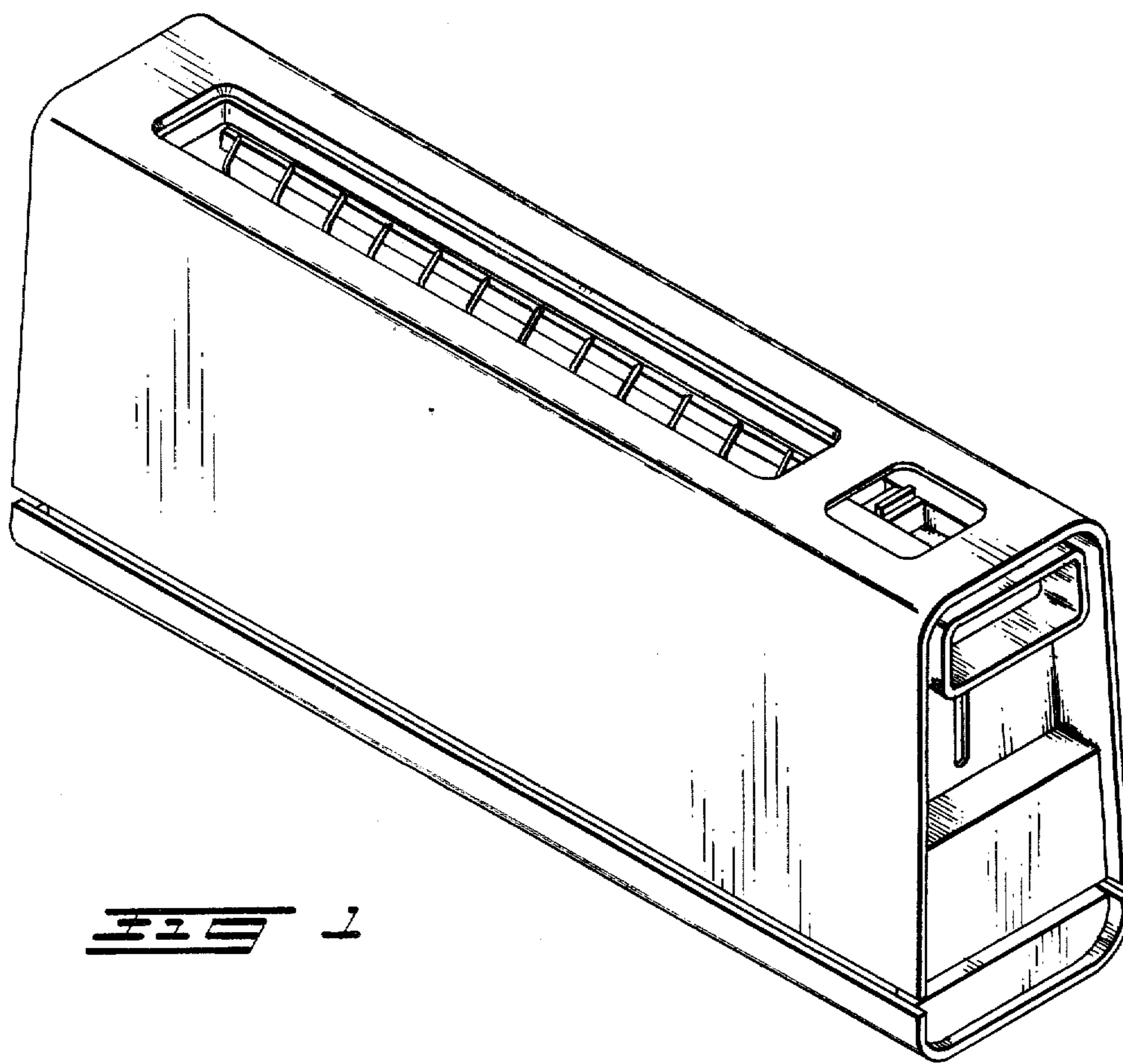


FIG. 1

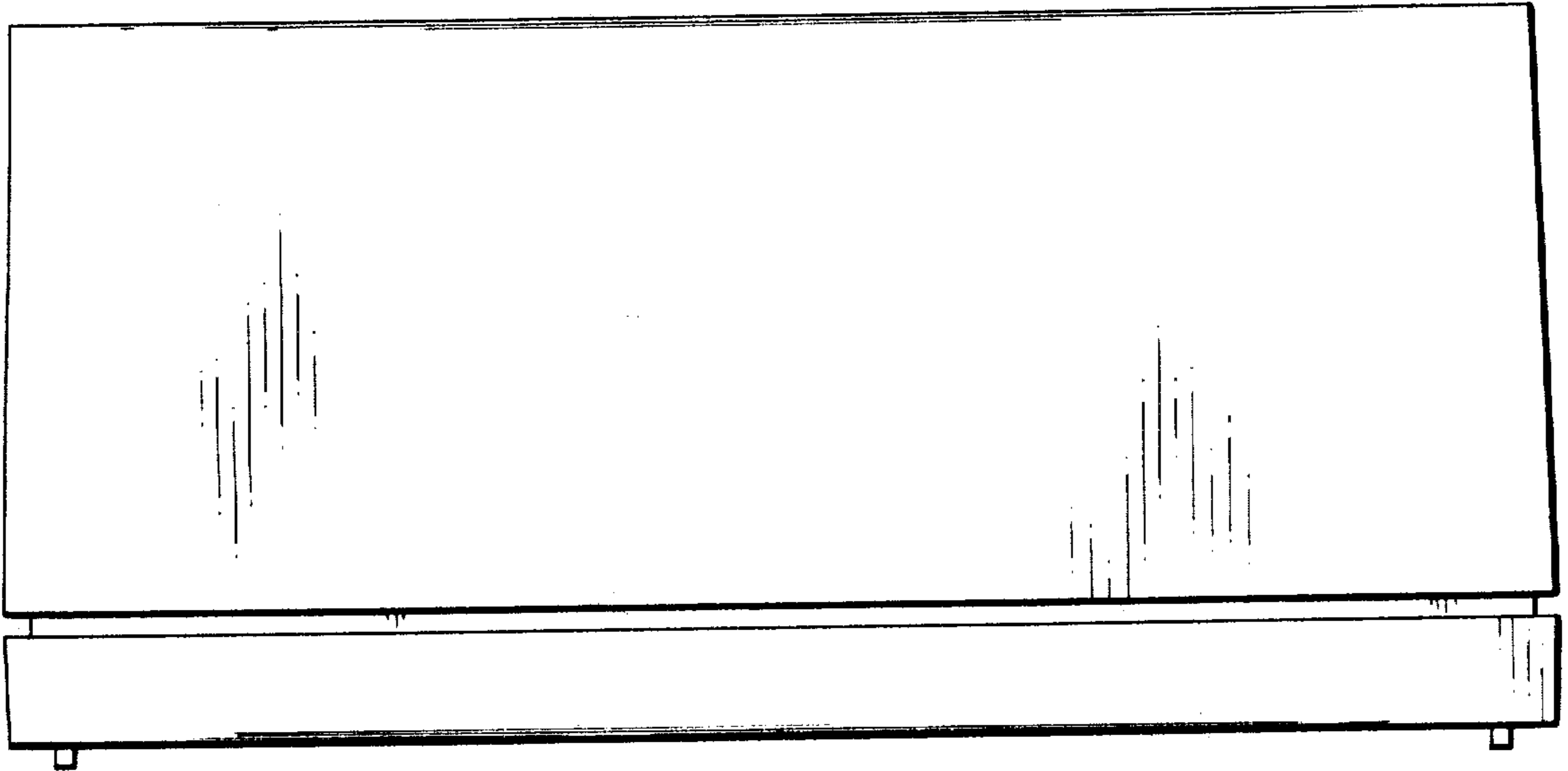


FIG 2

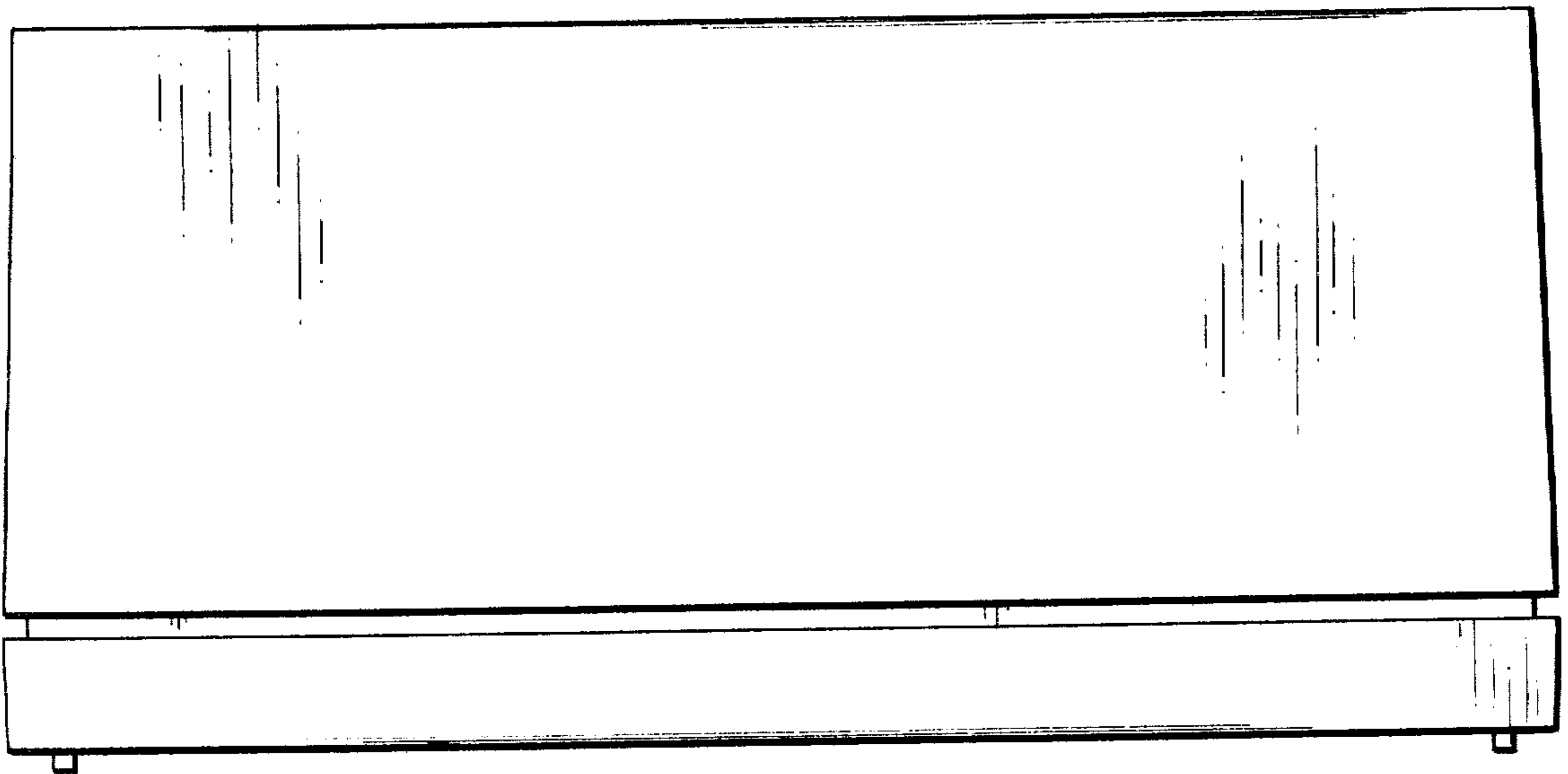


FIG 3

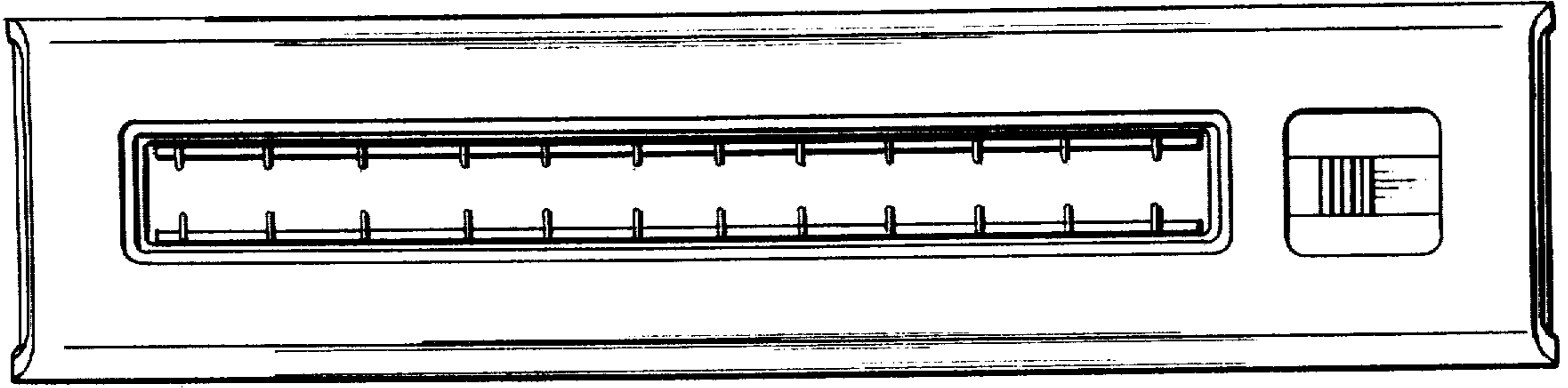


FIG. 4

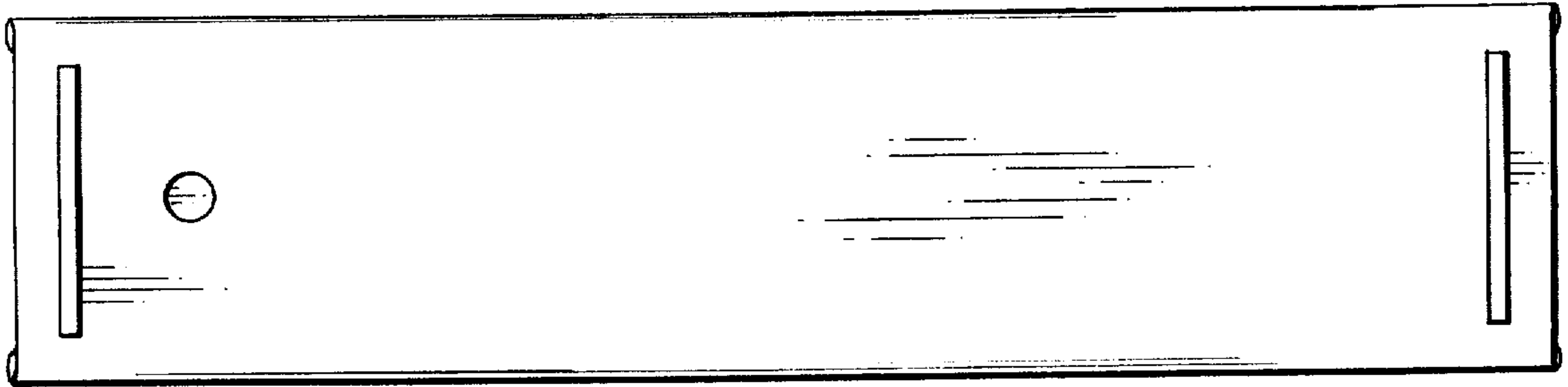


FIG. 5

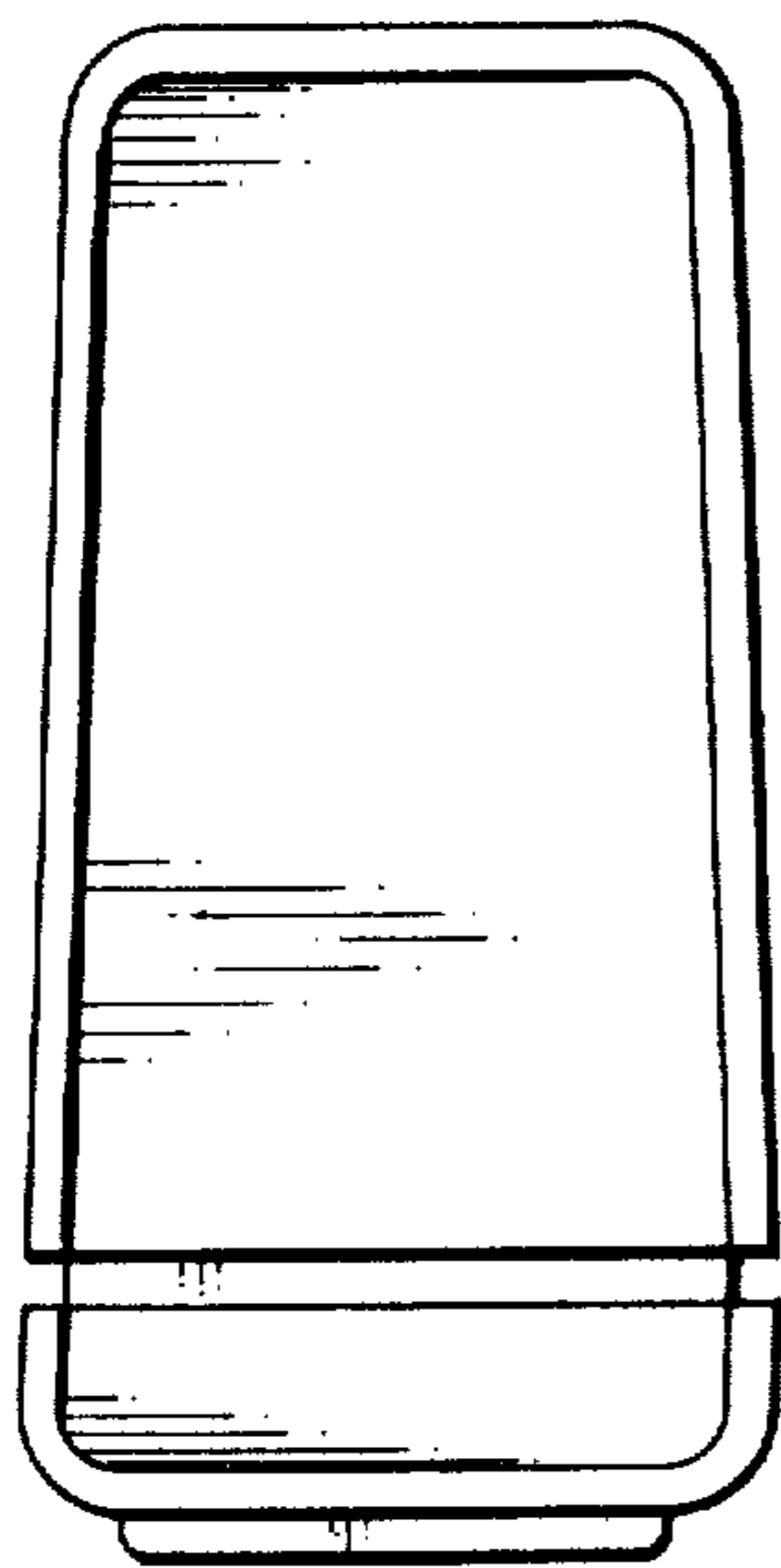


FIG. 6

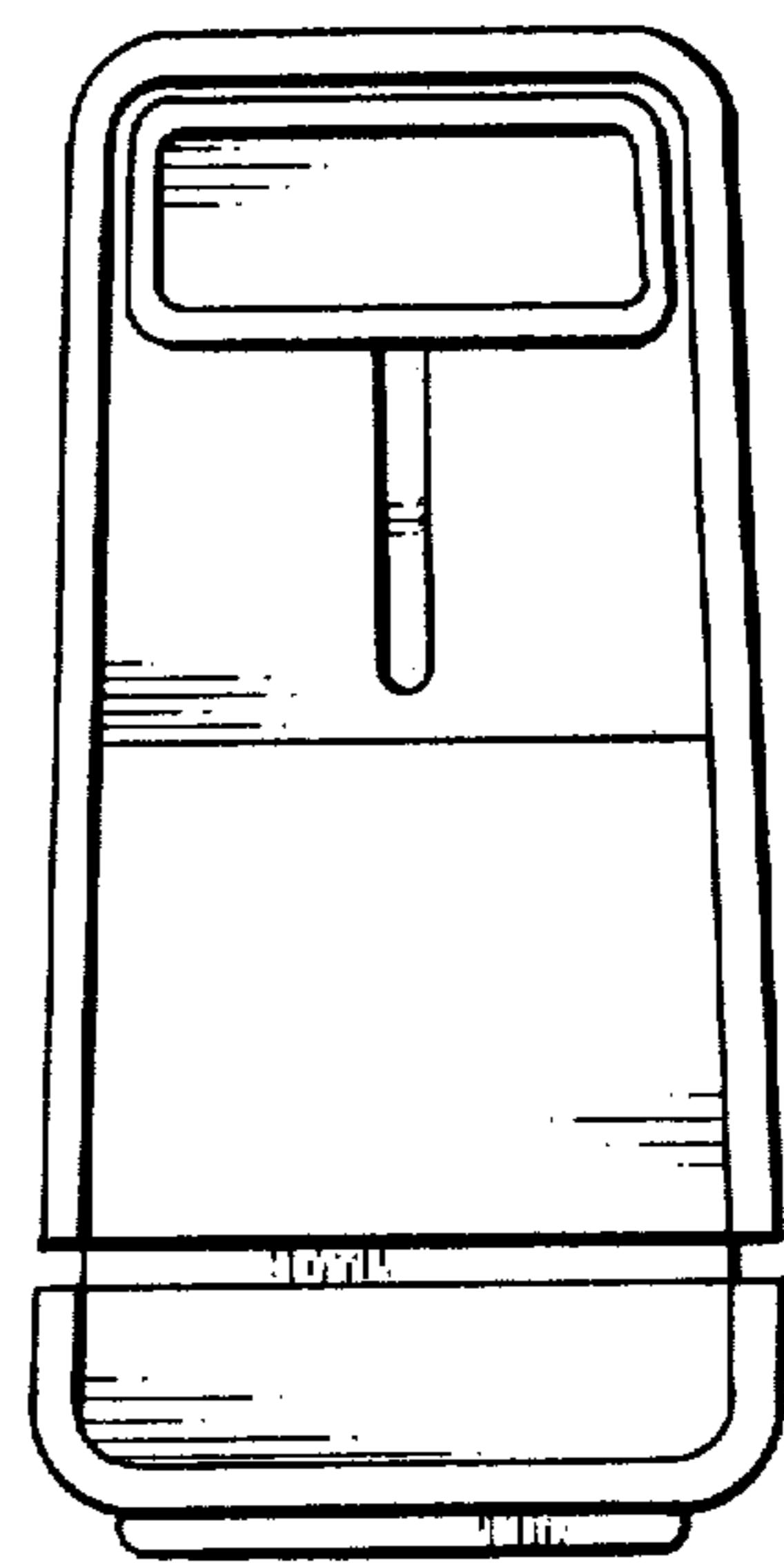


FIG. 7