

[54] SCISSOR SCABBARD

[75] Inventor: Dennis B. Jackson, Nunawading, Australia

[73] Assignee: Wiltshire Consolidated Limited, South Melbourne, Australia

[**] Term: 14 Years

[21] Appl. No.: 147,798

[22] Filed: May 8, 1980

[30] Foreign Application Priority Data

Nov. 13, 1979 [AU] Australia 79556

[51] Int. Cl. D3-02

[52] U.S. Cl. D3/30.1; D3/34

[58] Field of Search D3/30, 39, 34; 150/52 R; D19/75; D8/57; 30/151, 152

[56] References Cited

U.S. PATENT DOCUMENTS

D. 201,486	6/1965	Stolarz	D3/39
D. 219,897	2/1971	Laughlin	D3/30
D. 255,507	6/1980	Gingher, Jr.	D3/30

OTHER PUBLICATIONS

Hazel Cat. 1971/72 p. 21, Item R 594.

Primary Examiner—George P. Word
Attorney, Agent, or Firm—Ladas & Parry

[57] CLAIM

The ornamental design for a scissor scabbard, as shown and described.

DESCRIPTION

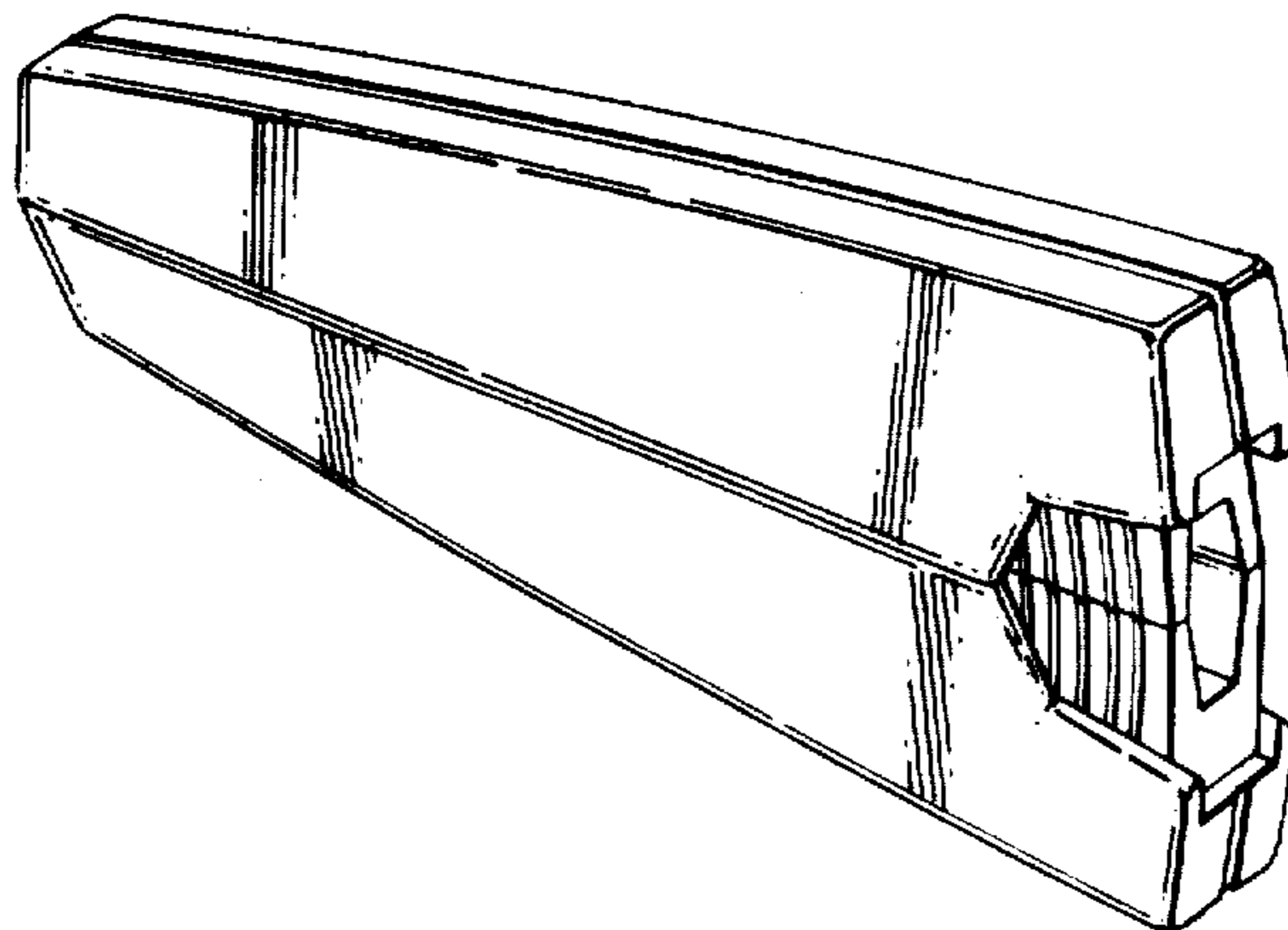
FIG. 1 is a left side elevational view of a scissor scabbard showing my new design, the opposite side being a mirror image thereof;

FIG. 2 is a top plan view, the bottom plan view being a mirror image thereof;

FIG. 3 is a rear elevational view thereof;

FIG. 4 is a front elevational view thereof; and

FIG. 5 is a front perspective view shown on a reduced scale.



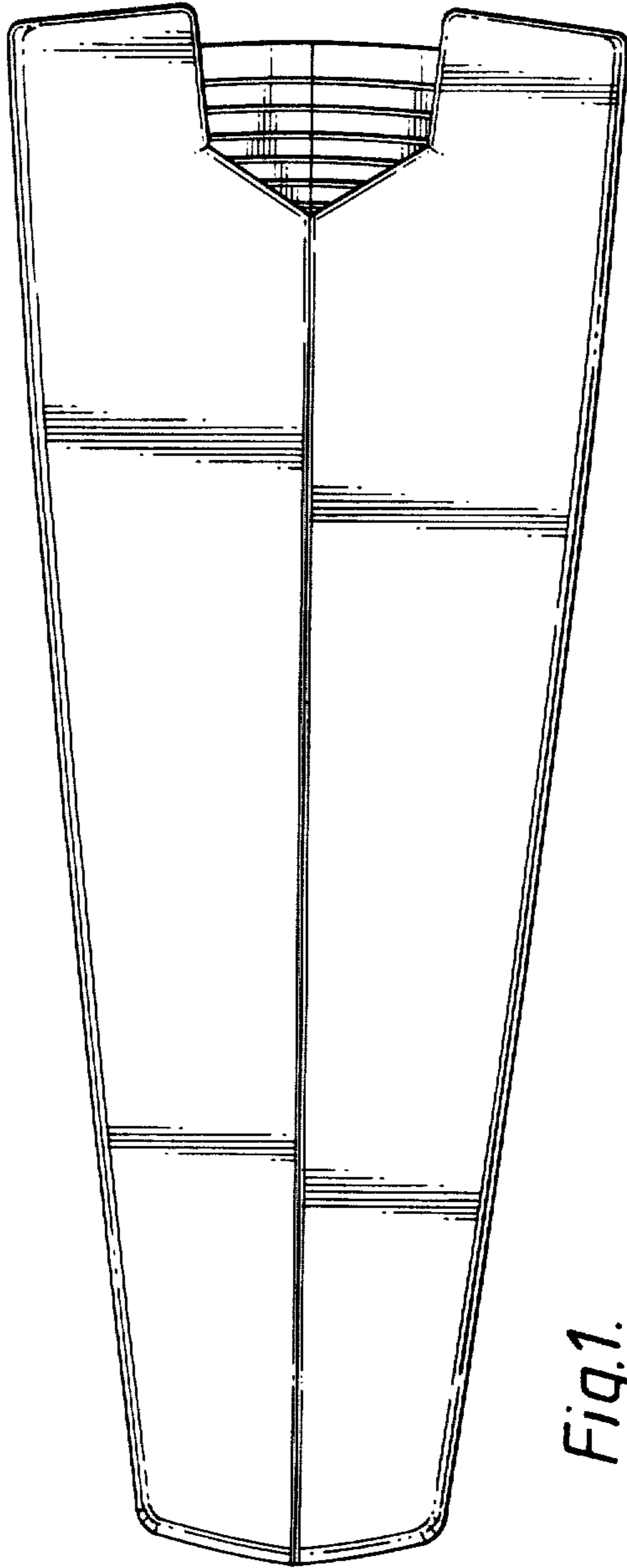


Fig. 1.

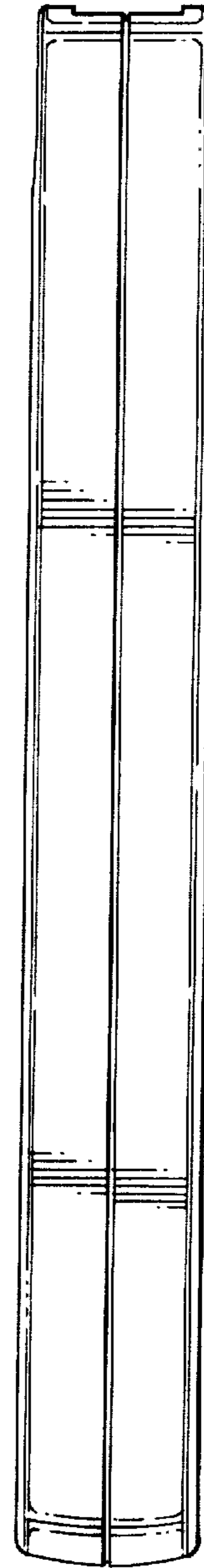


Fig. 2.

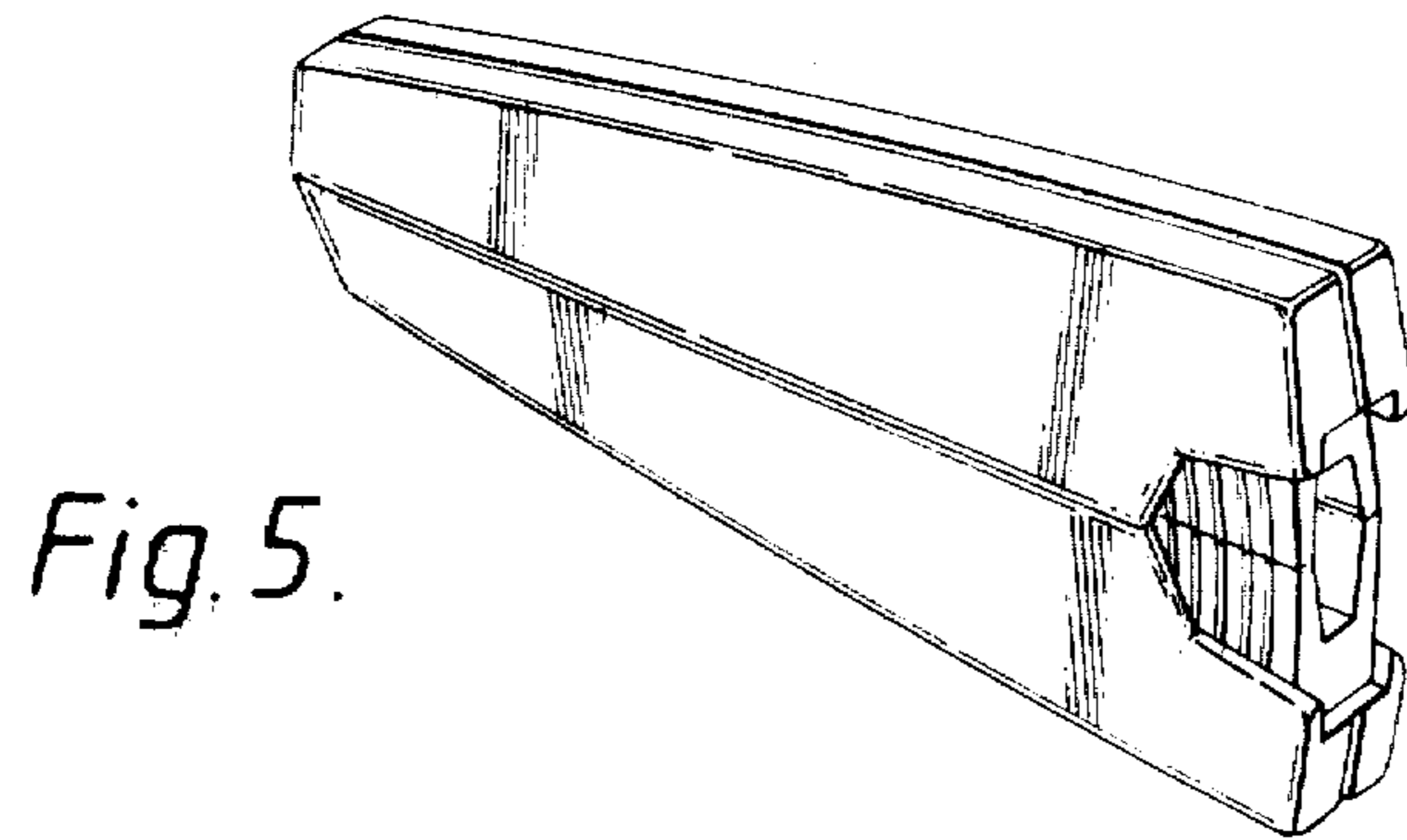


Fig. 5.

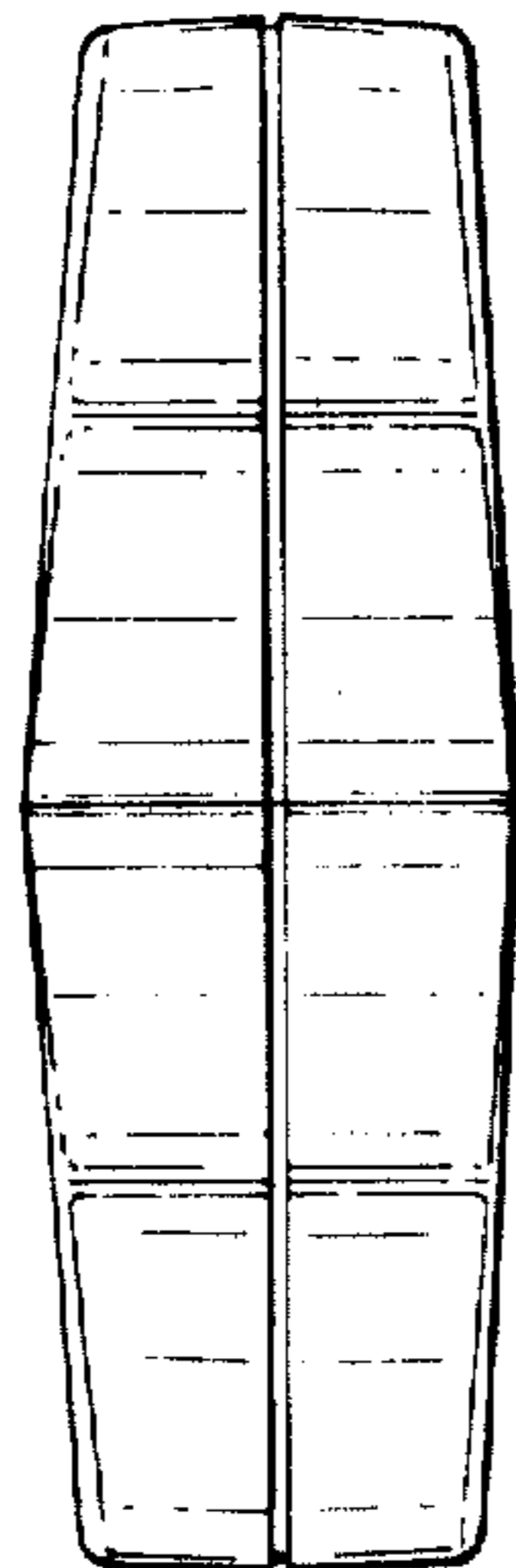


Fig. 3.

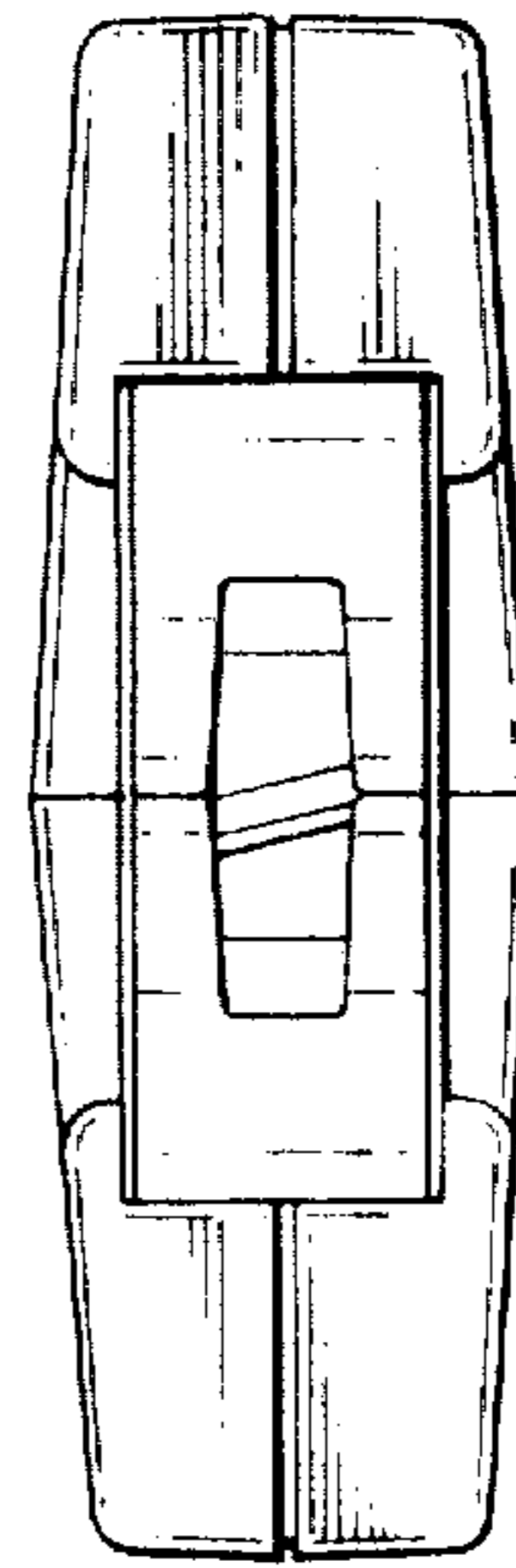


Fig. 4.