

[54] CAT PLAYGROUND OR THE LIKE

3,604,397 9/1971 Salerno 119/29
4,177,761 12/1979 Bellocchi, Jr. 119/29 X

[76] Inventor: Nicholas J. Salvato, 1537 Stuyvesant Ave., Union, N.J. 07083

Primary Examiner—James R. Largen
Attorney, Agent, or Firm—Lerner, David, Littenberg & Samuel

[**] Term: 14 Years

[21] Appl. No.: 164,680

[57] CLAIM

[22] Filed: Jun. 30, 1980

The ornamental design for a cat playground or the like, substantially as shown and described.

[51] Int. Cl. D30—99

[52] U.S. Cl. D30/42

[58] Field of Search D30/1, 2, 41, 42, 99;
119/18, 29

DESCRIPTION

[56] References Cited

U.S. PATENT DOCUMENTS

- D. 220,843 6/1971 Cook D30/1
- D. 224,685 8/1972 Michlap et al. D30/1
- D. 224,686 8/1972 Michlap et al. D30/1
- D. 236,140 7/1975 Whitlock D30/42
- D. 254,813 4/1980 Kossar D30/42
- D. 257,293 10/1980 Michalski D30/42
- 3,479,991 11/1969 Lichtenberger 119/29 X
- 3,552,356 1/1971 Rosenthal 119/29 X
- 3,581,707 6/1971 Cook 119/1

FIG. 1 is a front perspective view of a cat playground or the like showing my new design; FIG. 2 is a right side elevational view thereof; FIG. 3 is a left side elevational view thereof; FIG. 4 is a front elevational view thereof; FIG. 5 is a rear elevational view thereof; FIG. 6 is a top plan view thereof; FIG. 7 is a bottom plan view thereof; FIG. 8 is a rear perspective view thereof; and FIG. 9 is a front perspective view thereof, partially broken away to illustrate a portion of the interior thereof.

The stippling in FIGS. 1 through 9 represents carpeting or cloth-like material.

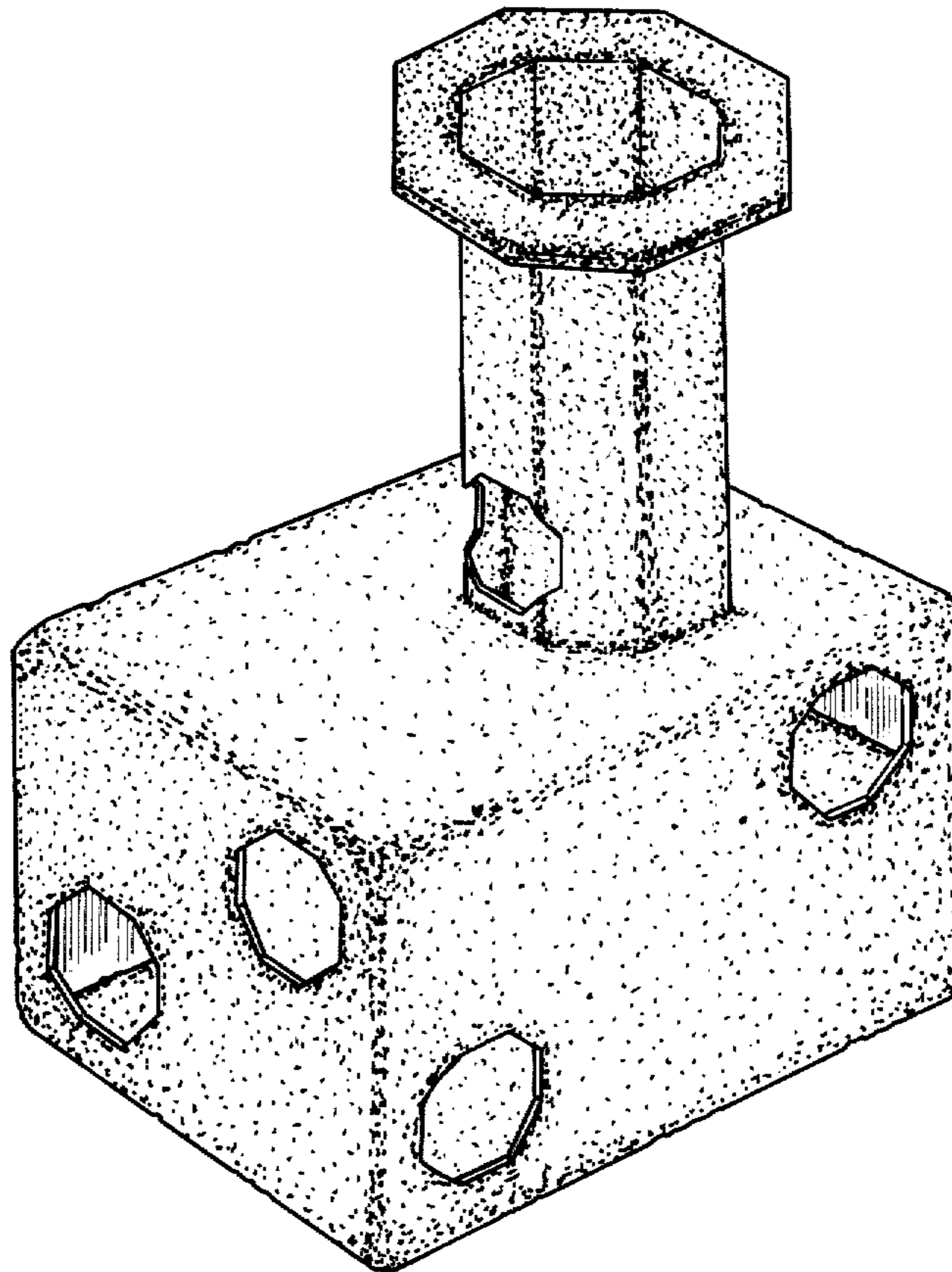


FIG.1

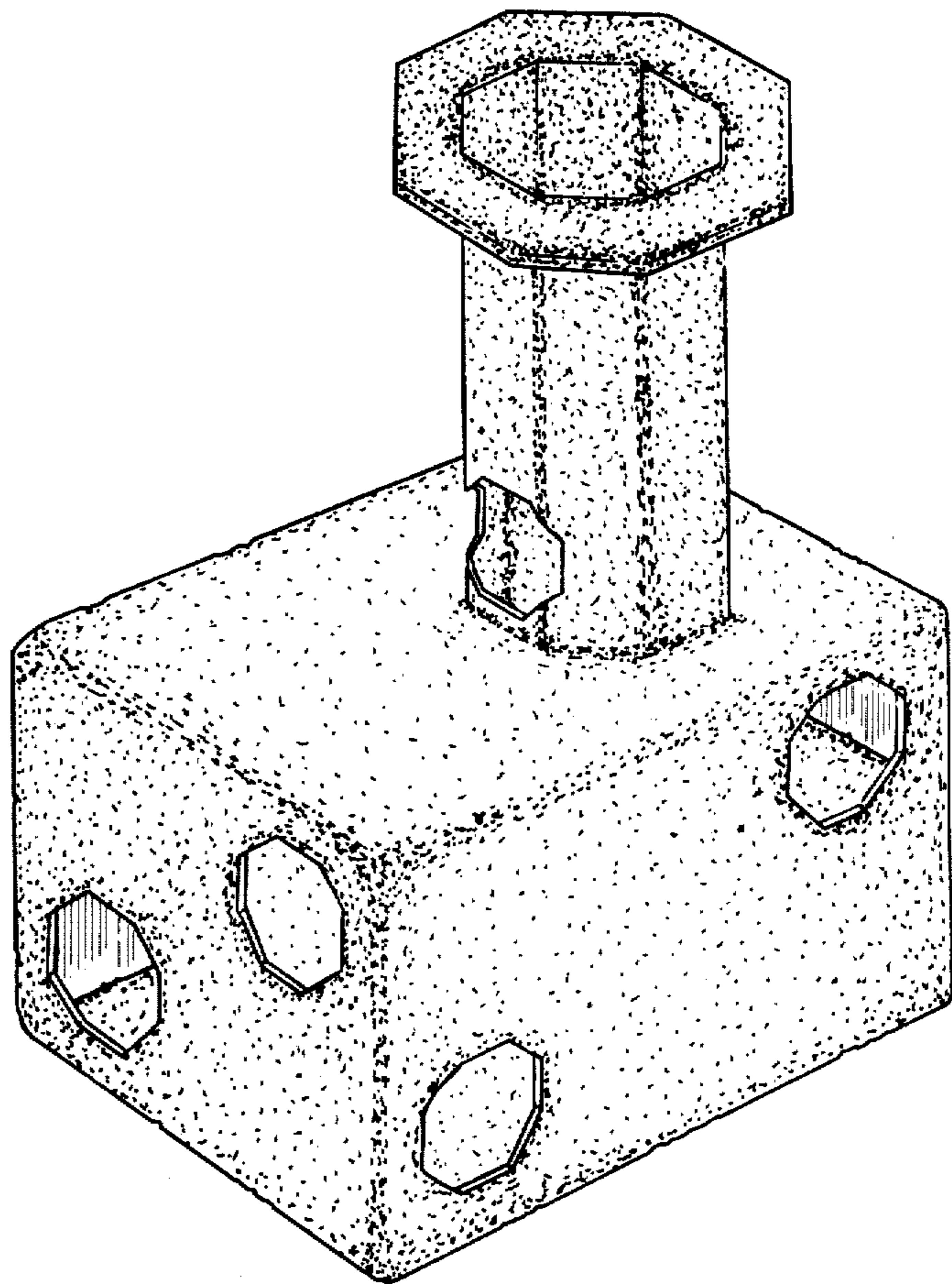


FIG.2

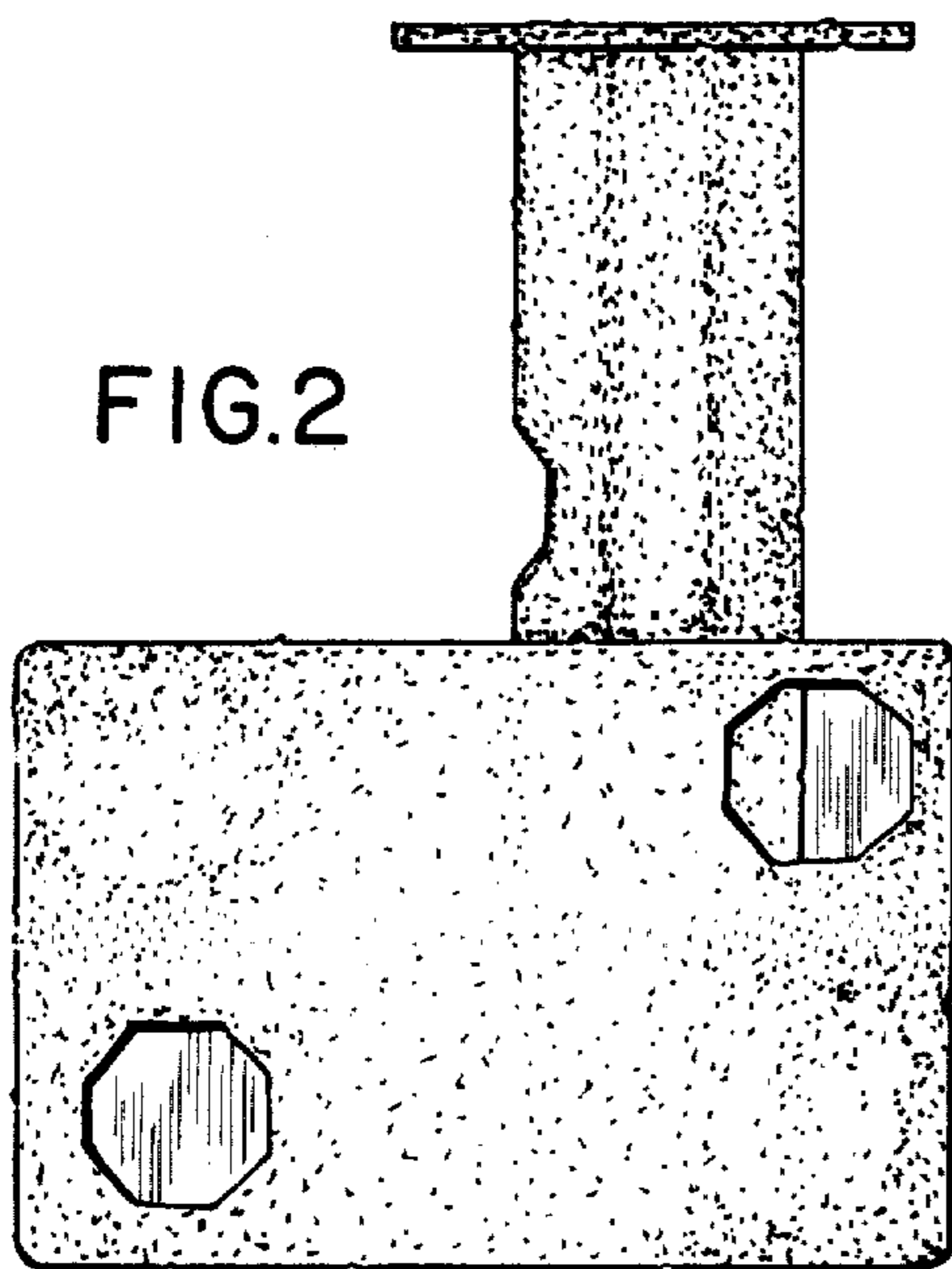
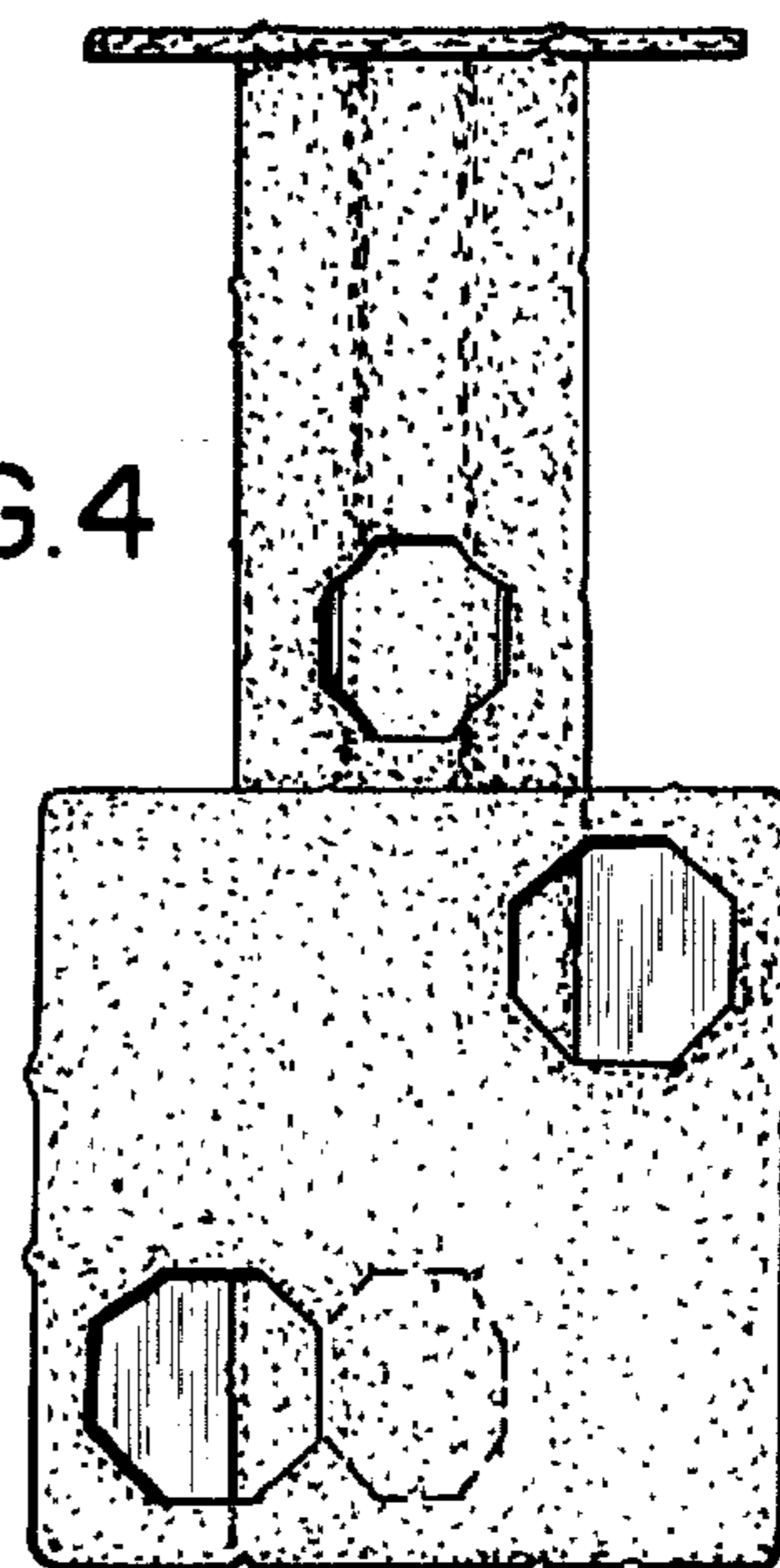


FIG.4



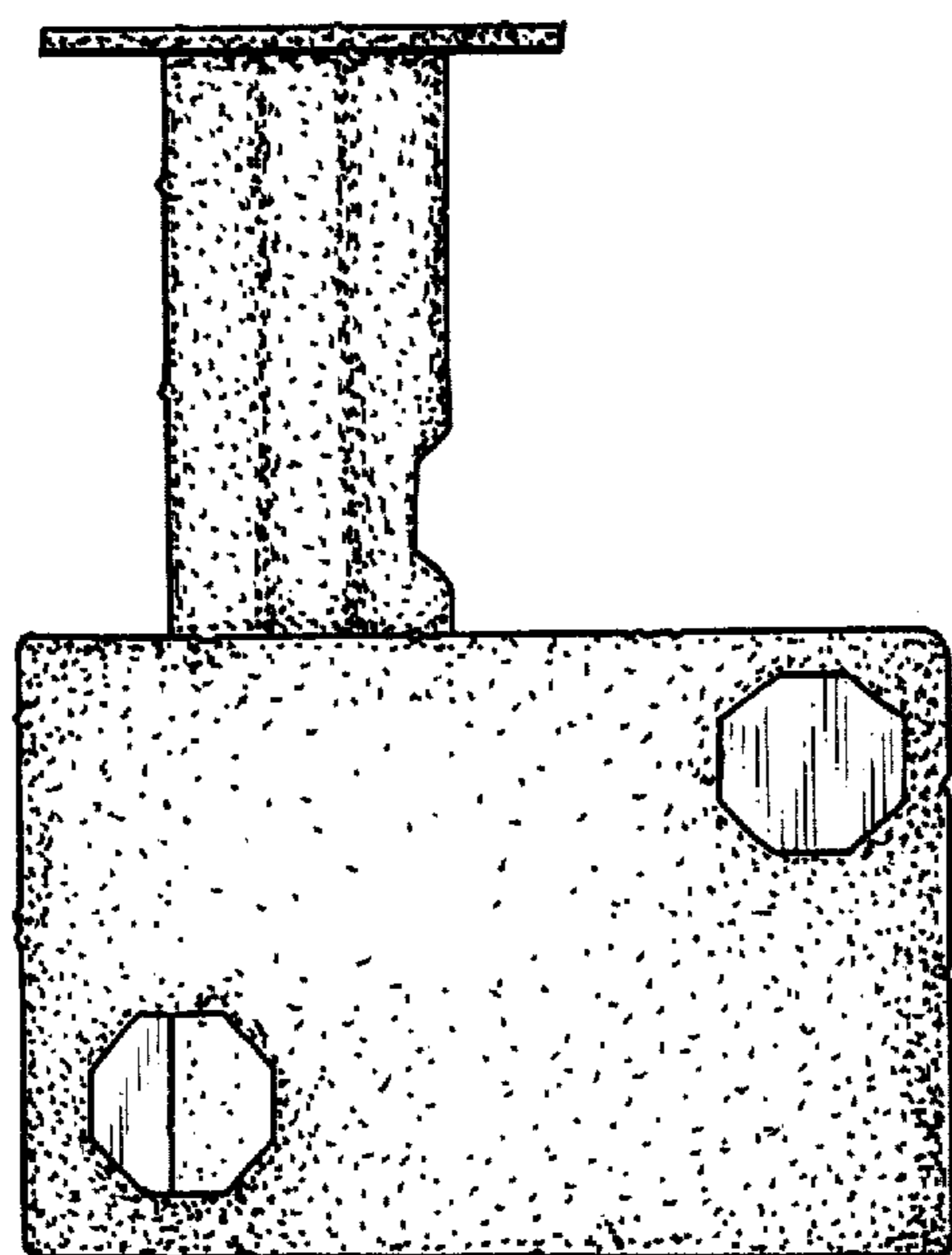


FIG. 3

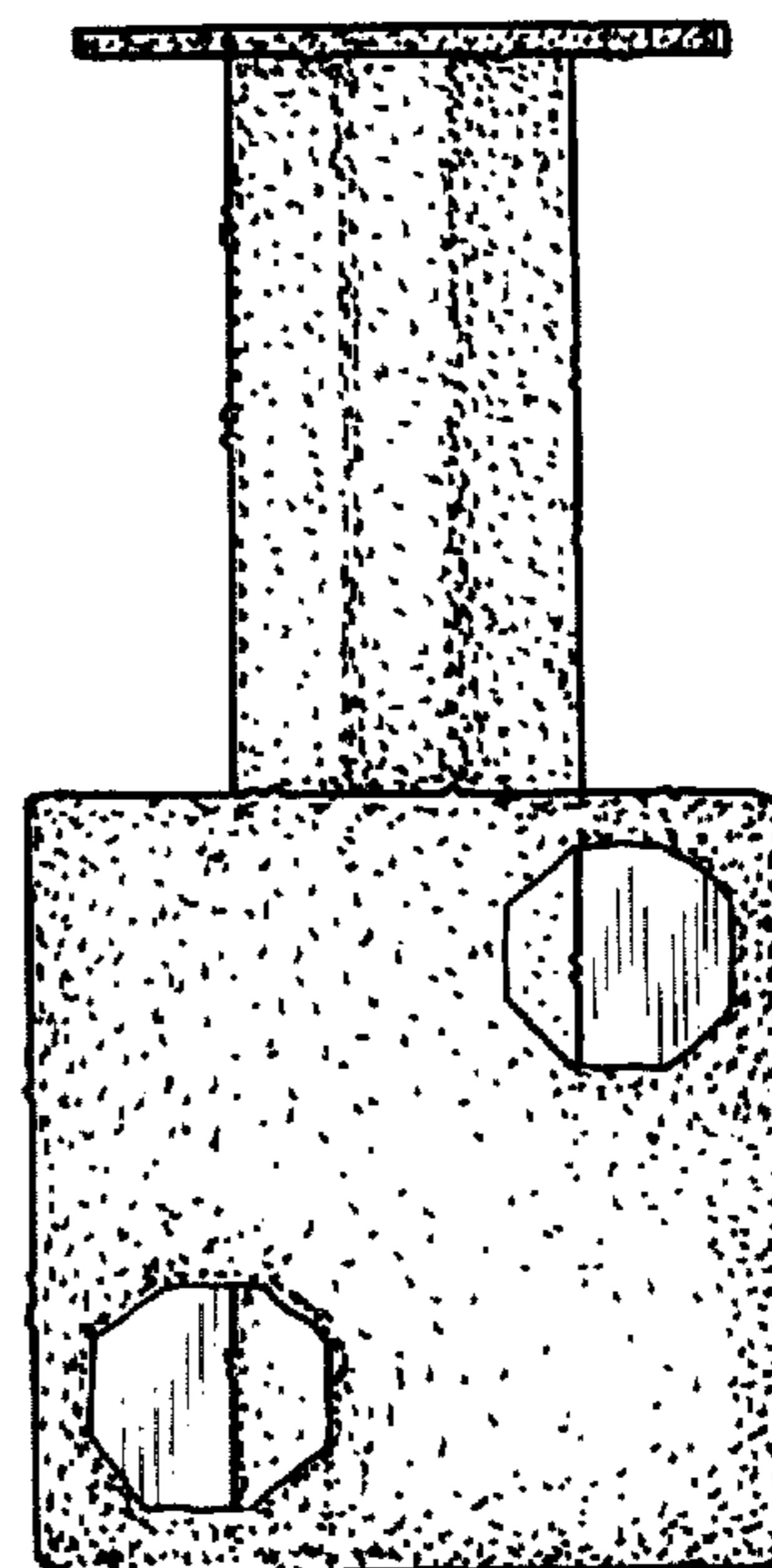


FIG. 5

FIG. 6

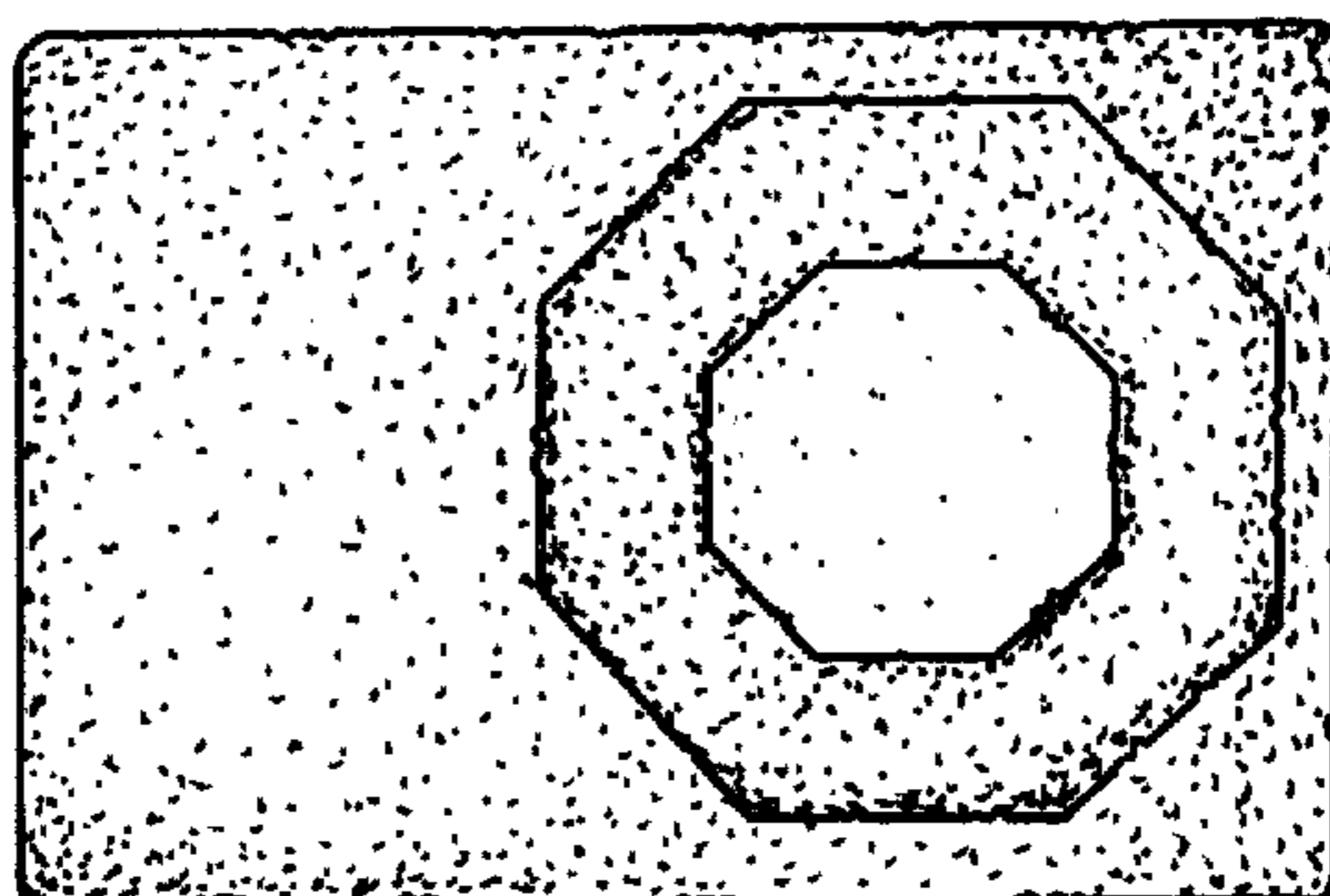


FIG. 7

