

[54] HAIR DRYER

[75] Inventor: Douglas G. Long, Lombard, Ill.

[73] Assignee: Sunbeam Corporation, Chicago, Ill.

[\*\*] Term: 14 Years

[21] Appl. No.: 167,865

[22] Filed: Jul. 14, 1980

[51] Int. Cl. .... D28-03

[52] U.S. Cl. .... D28/13

[58] Field of Search ..... D28/10-19,  
D28/25; 34/96-98; 132/7, 9; 219/222

[56] References Cited

U.S. PATENT DOCUMENTS

- D. 254,689 4/1980 Neumark ..... D28/13
- D. 259,665 6/1981 Cousins ..... D28/13
- 1,603,117 10/1926 Kimmel ..... 34/96

FOREIGN PATENT DOCUMENTS

647291 12/1950 United Kingdom ..... D28/13

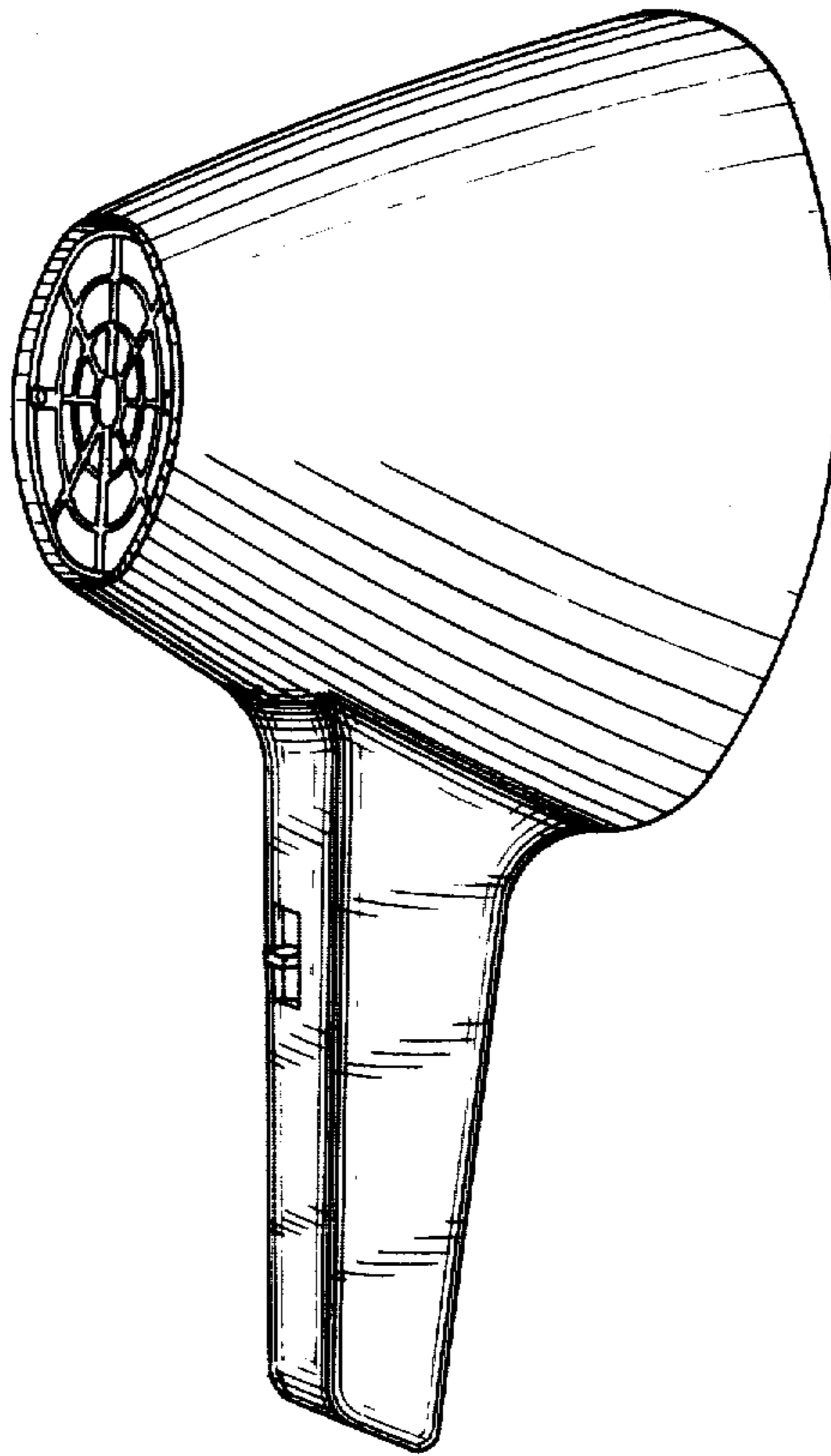
Primary Examiner—Louis S. Zarfes  
Attorney, Agent, or Firm—George R. Clark; Neil M. Rose; Clifford A. Dean

[57] CLAIM

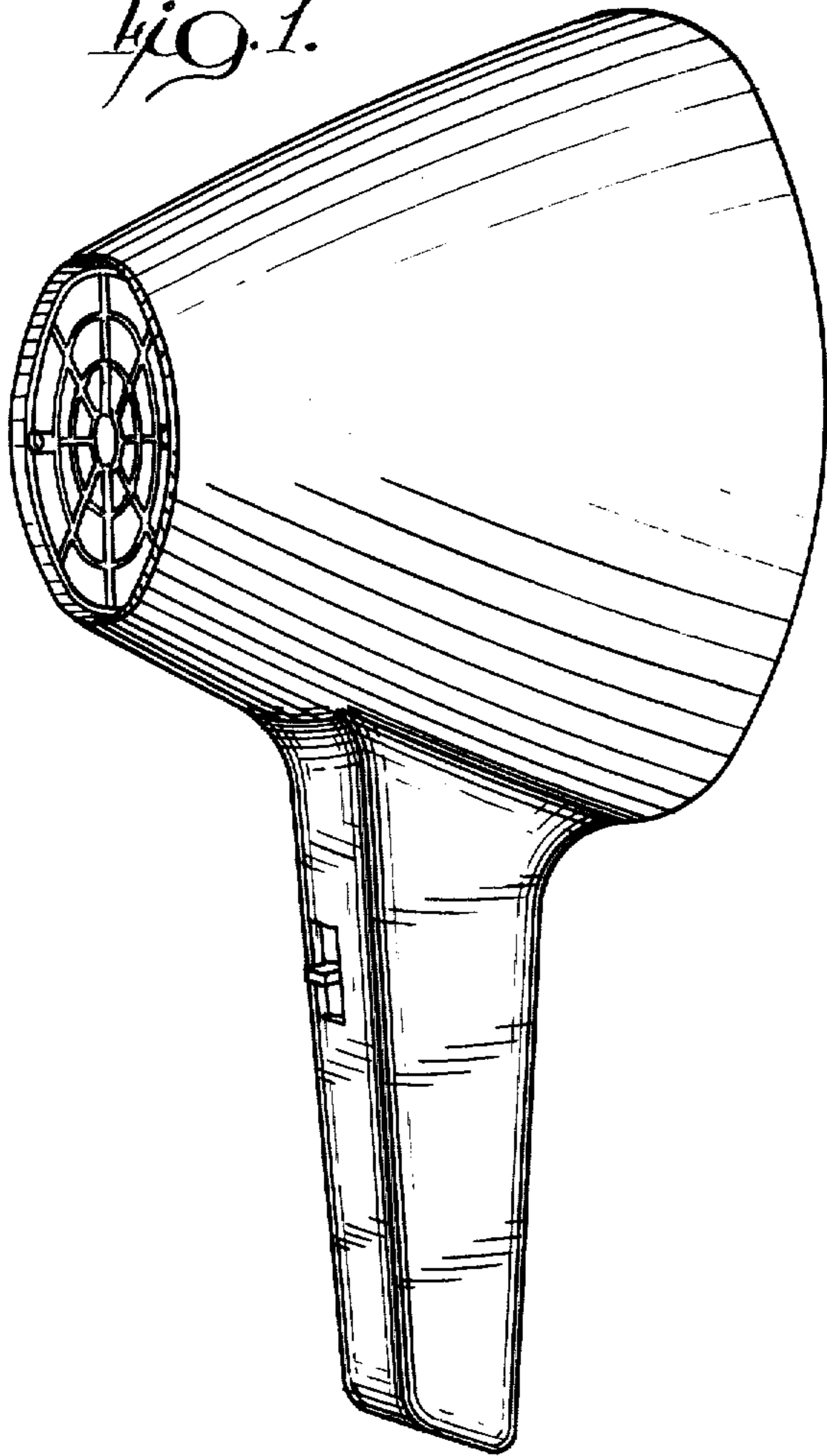
The ornamental design for a hair dryer, as shown.

DESCRIPTION

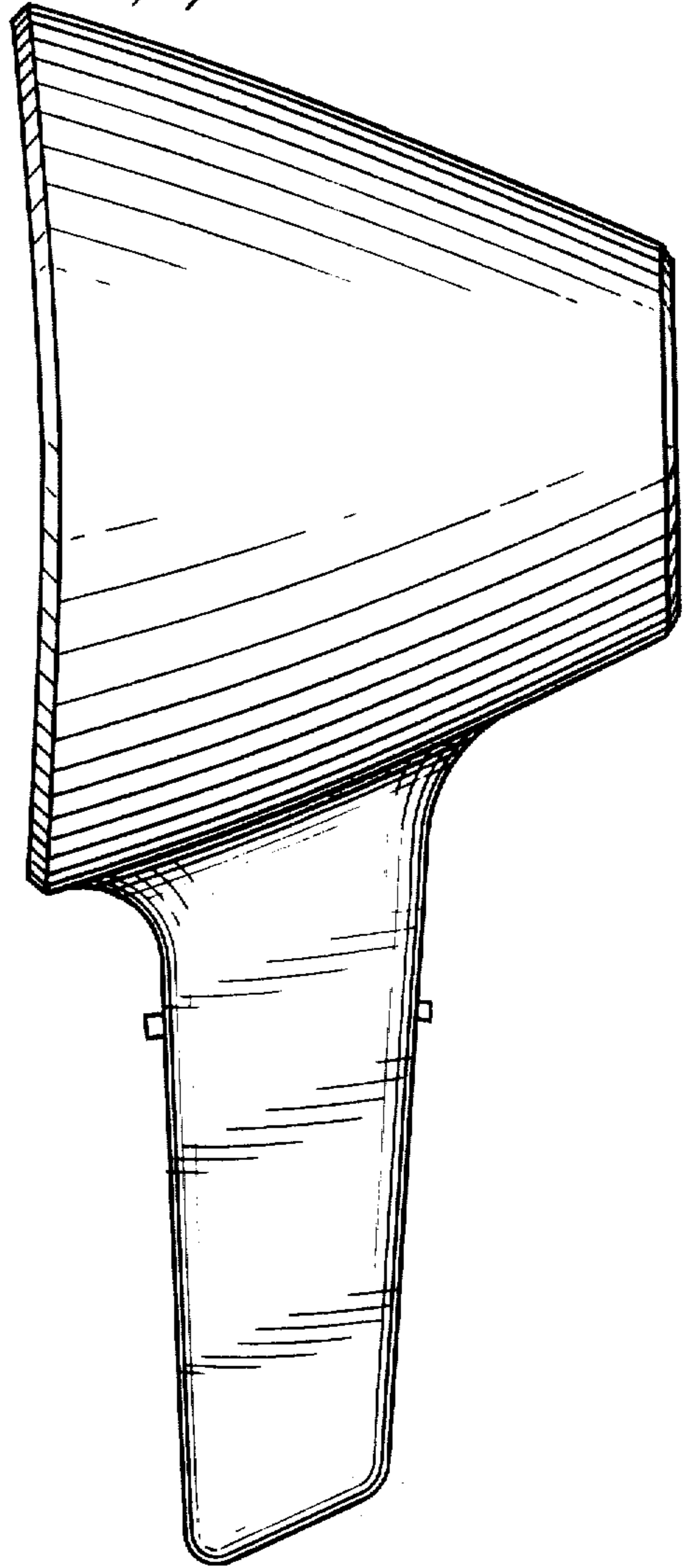
FIG. 1 is a side perspective view of a hair dryer embodying my new design;  
FIG. 2 is a side elevational view showing the side opposite that shown in FIG. 1;  
FIG. 3 is a top plan view thereof;  
FIG. 4 is an end elevational view looking toward the smaller diameter end of the subject hair dryer; and  
FIG. 5 is an end elevational view looking toward the opposite larger diameter end of the subject hair dryer.



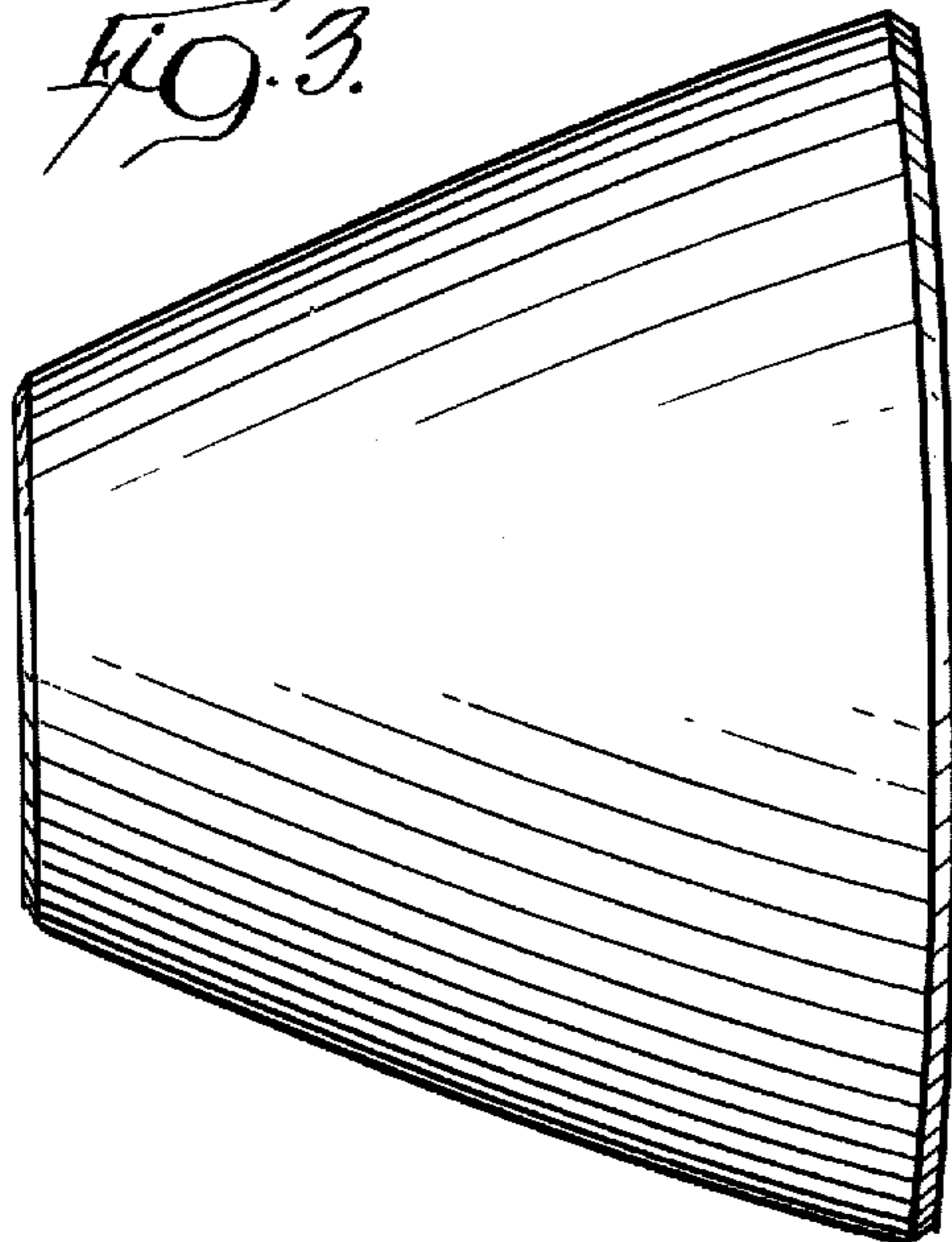
*FIG. 1.*



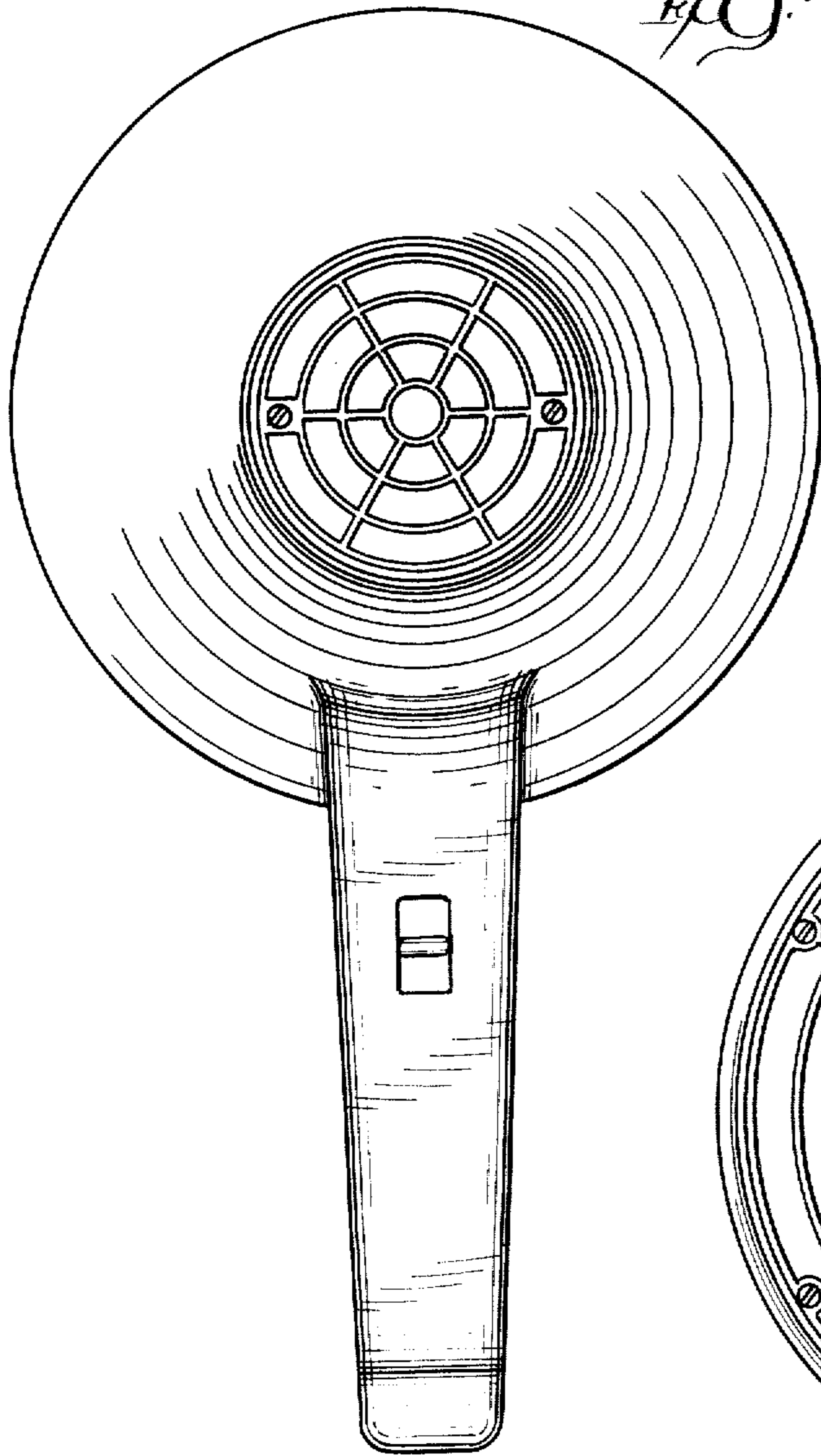
*FIG. 2.*



*FIG. 3.*



*Fig. 4.*



*Fig. 5.*

