

[54] **LAMP**
[75] **Inventor: Carlo S. Bessone, Woburn, Mass.**
[73] **Assignee: GTE Products Corporation, Stamford, Conn.**
[**] **Term: 14 Years**
[21] **Appl. No.: 108,201**
[22] **Filed: Dec. 28, 1979**
[51] **Int. Cl. D26-05**
[52] **U.S. Cl. D26/93**
[58] **Field of Search D26/24, 75, 56, 76, D26/104, 77, 78, 79, 81, 72, 82, 83, 85, 93; 362/362, 216, 217, 218, 220, 223, 224, 235, 395, 410, 411, 413, 806; 40/564**

[56] **References Cited**
U.S. PATENT DOCUMENTS
D. 153,885 5/1949 Libby D26/104

D. 169,231 3/1953 Walker D26/56

FOREIGN PATENT DOCUMENTS

853772 10/1952 Fed. Rep. of Germany 362/216
894349 10/1953 Fed. Rep. of Germany 362/217
1164094 5/1958 France 40/564

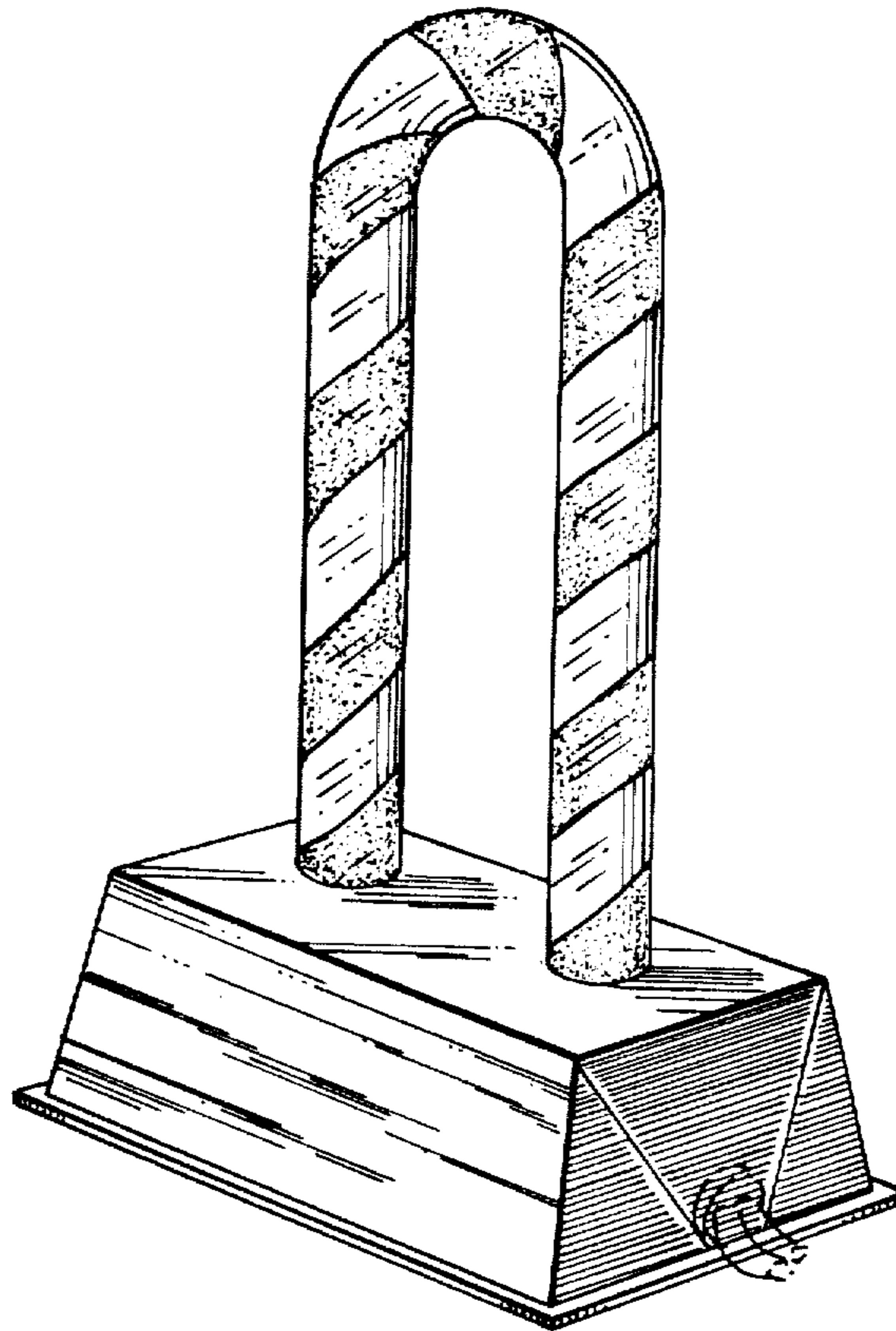
Primary Examiner—Susan J. Lucas
Attorney, Agent, or Firm—William H. McNeill

[57] **CLAIM**

The ornamental design for a lamp, substantially as shown and described.

DESCRIPTION

FIG. 1 is a perspective view of a lamp illustrating my new design;
FIG. 2 is a side elevational view thereof;
FIG. 3 is an end elevational view thereof; and
FIG. 4 is a plan view thereof.
The lamp is shaded to indicate contrast. The grommet and electric cord are shown in broken lines for illustrative purposes only.



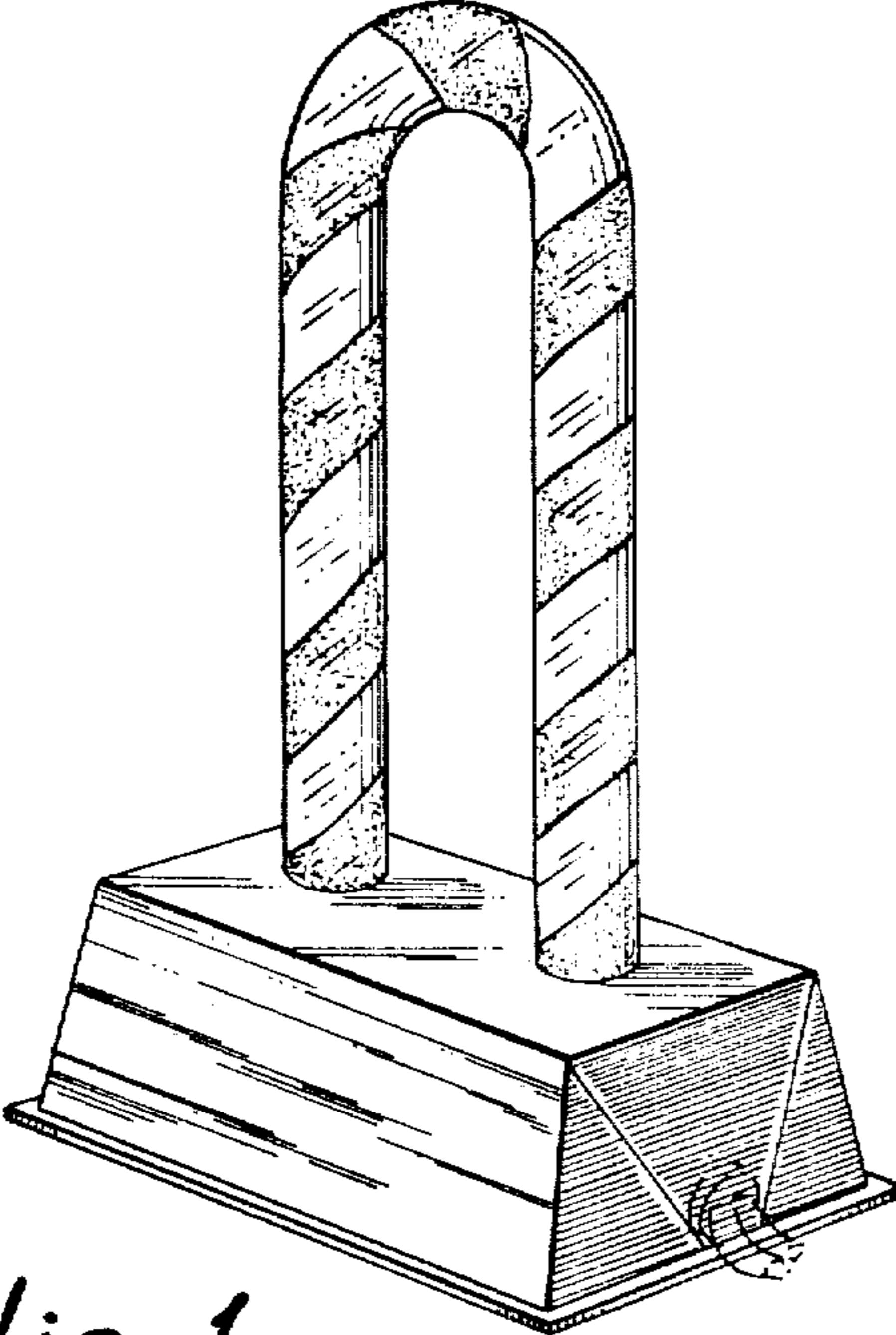


fig. 1

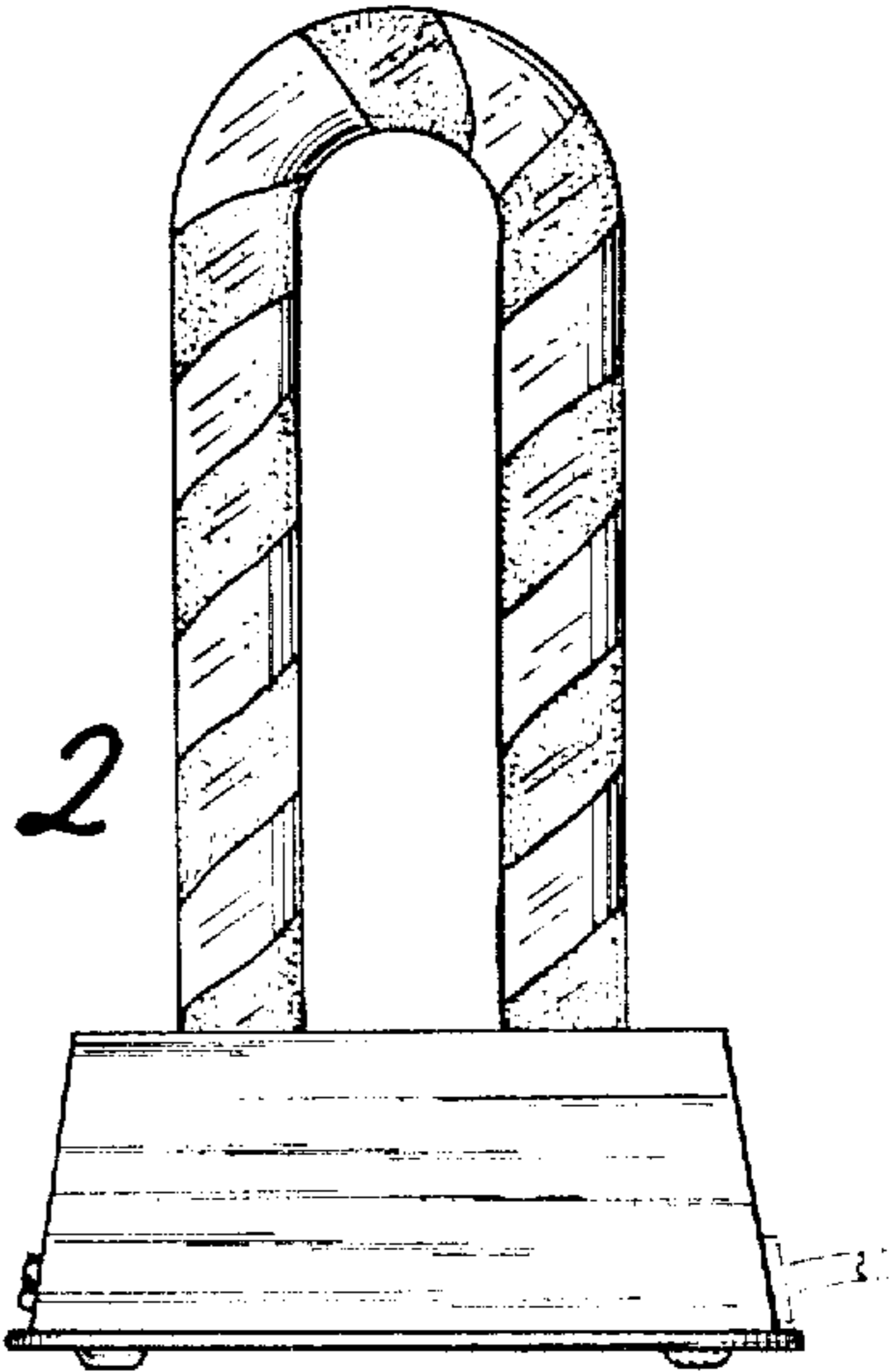


fig. 2

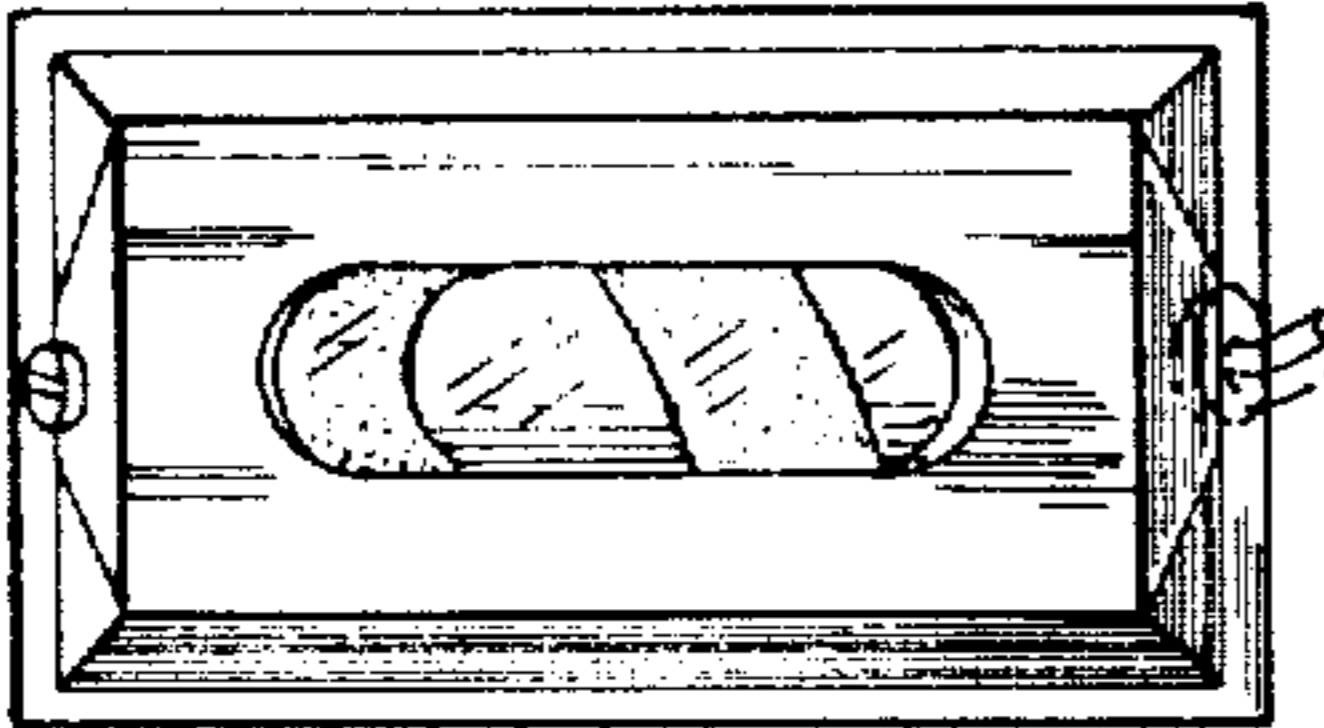


fig. 4

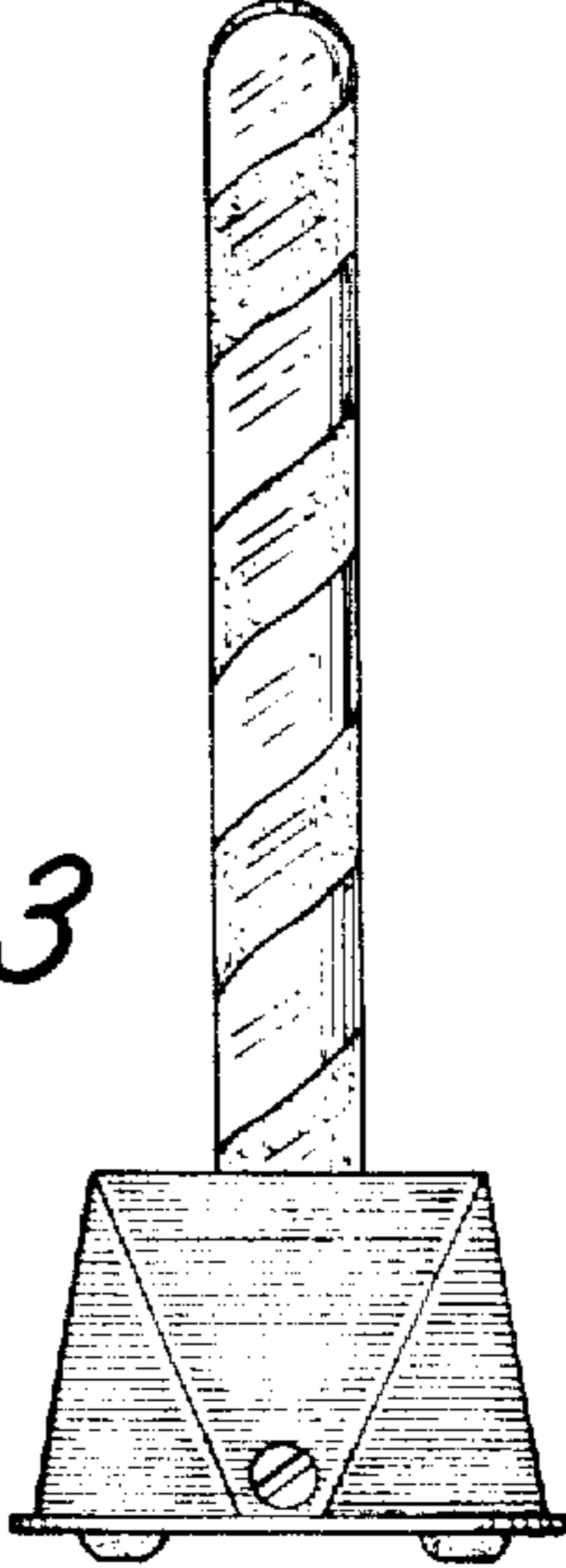


fig. 3