

[54] LAMP

[56]

References Cited

U.S. PATENT DOCUMENTS

[76] Inventor: John O. Black, 9607 Sturgeon Valley Rd., Vanderbilt, Mich. 49795

D. 214,461 6/1969 Gardner ..... D26/67  
D. 216,042 11/1969 Myhre ..... D26/68

[\*\*] Term: 14 Years

Primary Examiner—Susan J. Lucas  
Attorney, Agent, or Firm—Lyman R. Lyon

[21] Appl. No.: 83,807

[57] CLAIM

The ornamental design for a lamp, as shown and described.

[22] Filed: Oct. 11, 1979

DESCRIPTION

[51] Int. Cl. .... D26—03

[52] U.S. Cl. .... D26/70

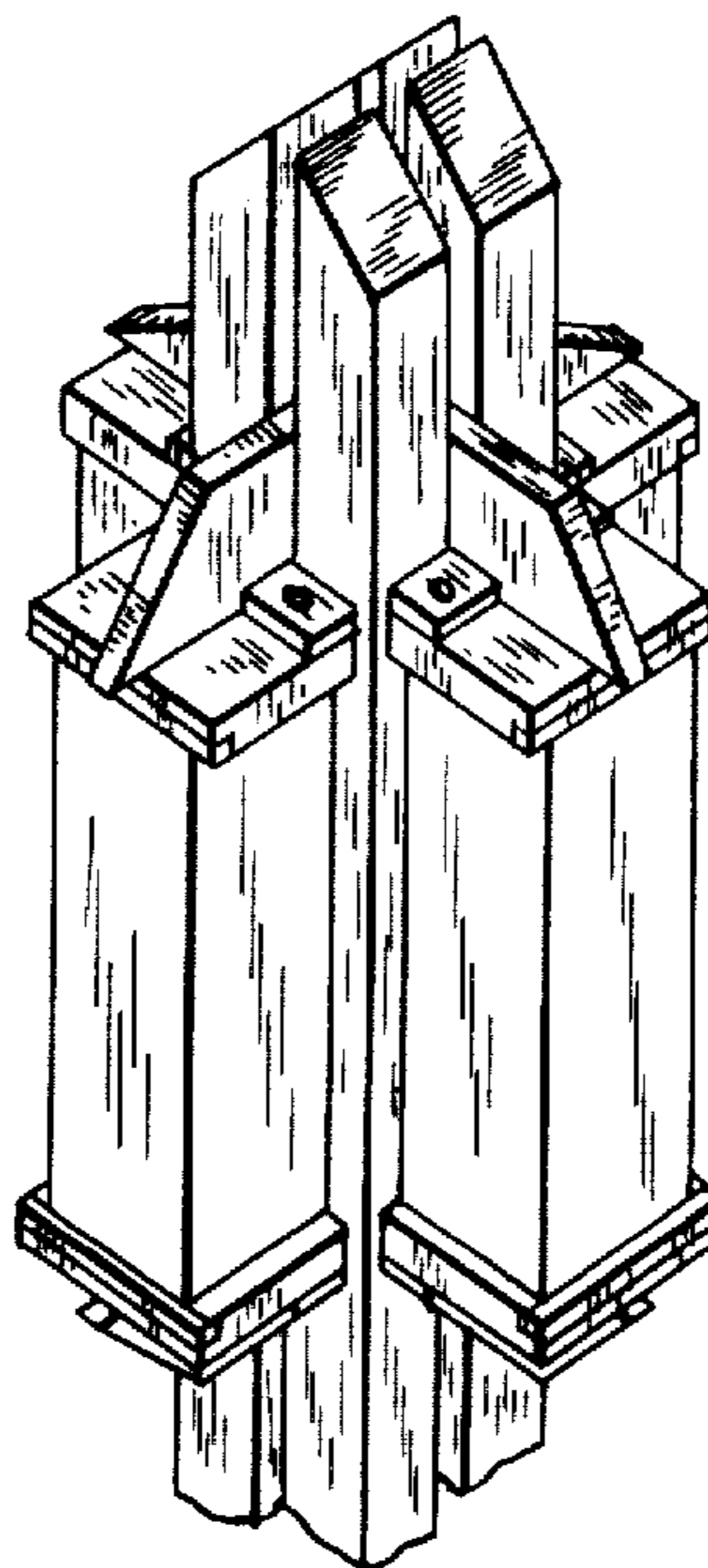
[58] Field of Search ..... D26/24, 67, 68, 69,  
D26/70, 71; 362/431, 362, 297, 310, 311, 308,  
309

FIG. 1 is a perspective view of a lamp showing my new design;

FIG. 2 is a side elevational view thereof on an enlarged scale;

FIG. 3 is a top plan view thereof on an enlarged scale;

FIG. 4 is a side elevational view on an enlarged scale as seen from the right of FIG. 2.



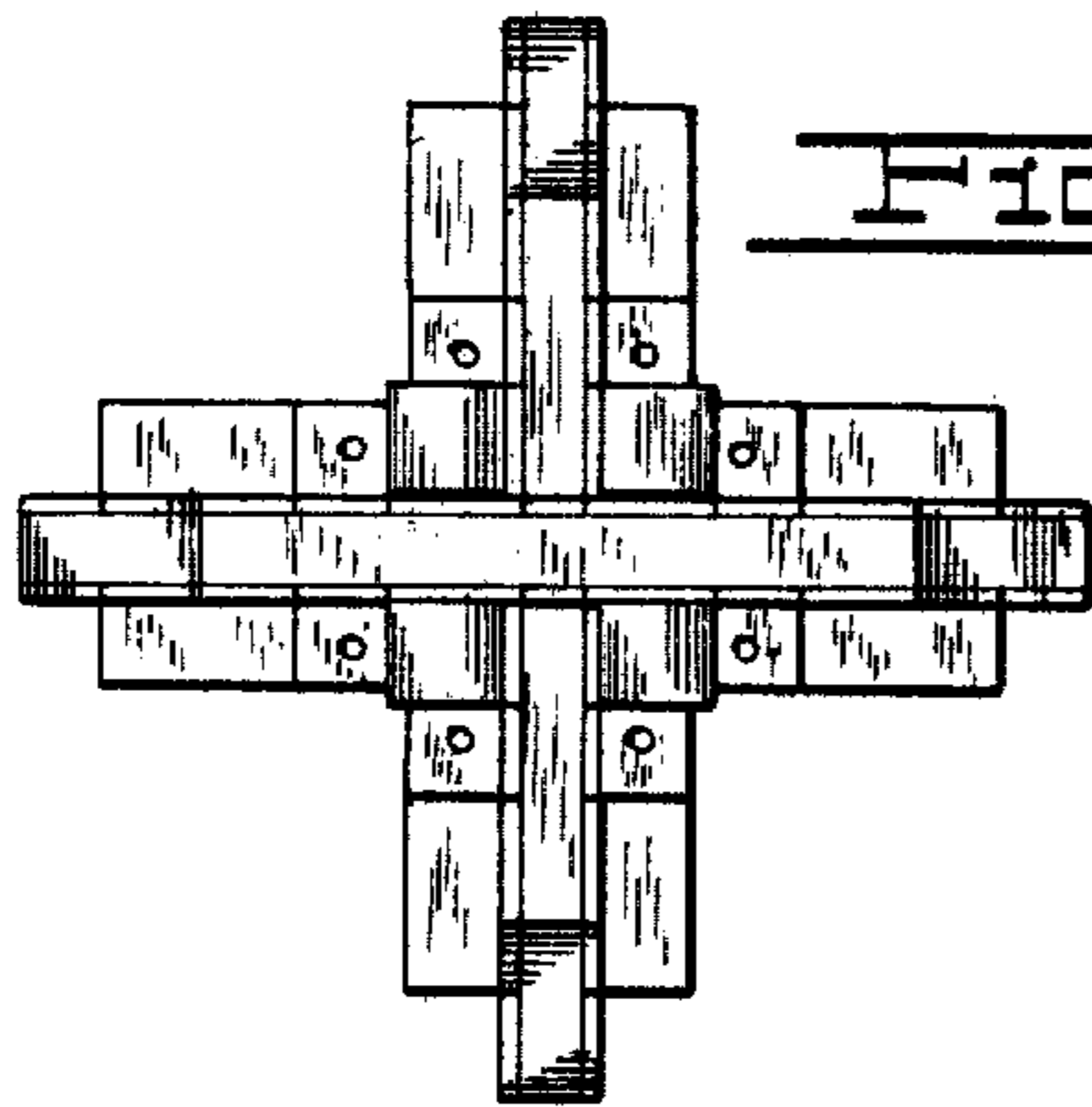


FIG. 3.

FIG. 1.

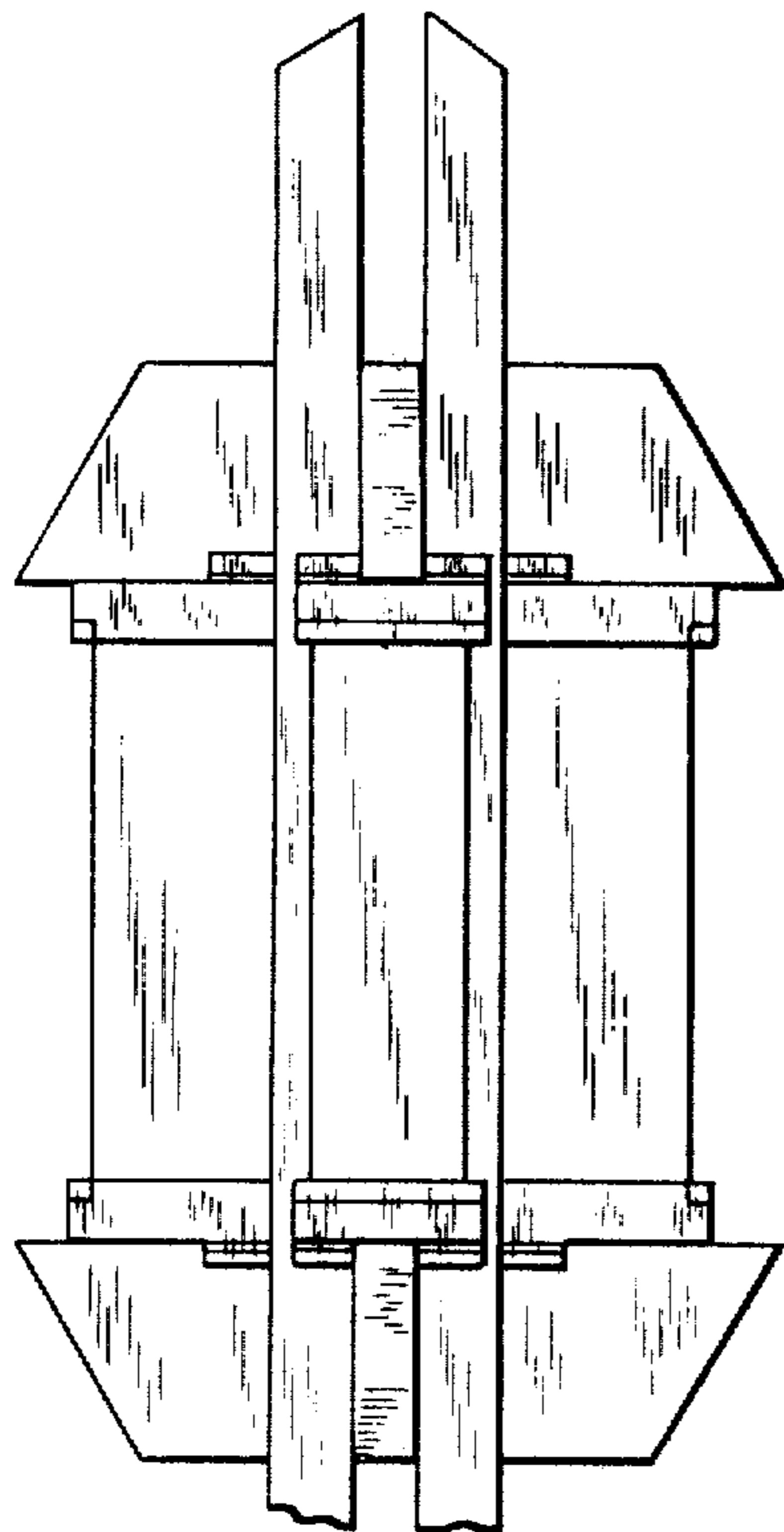
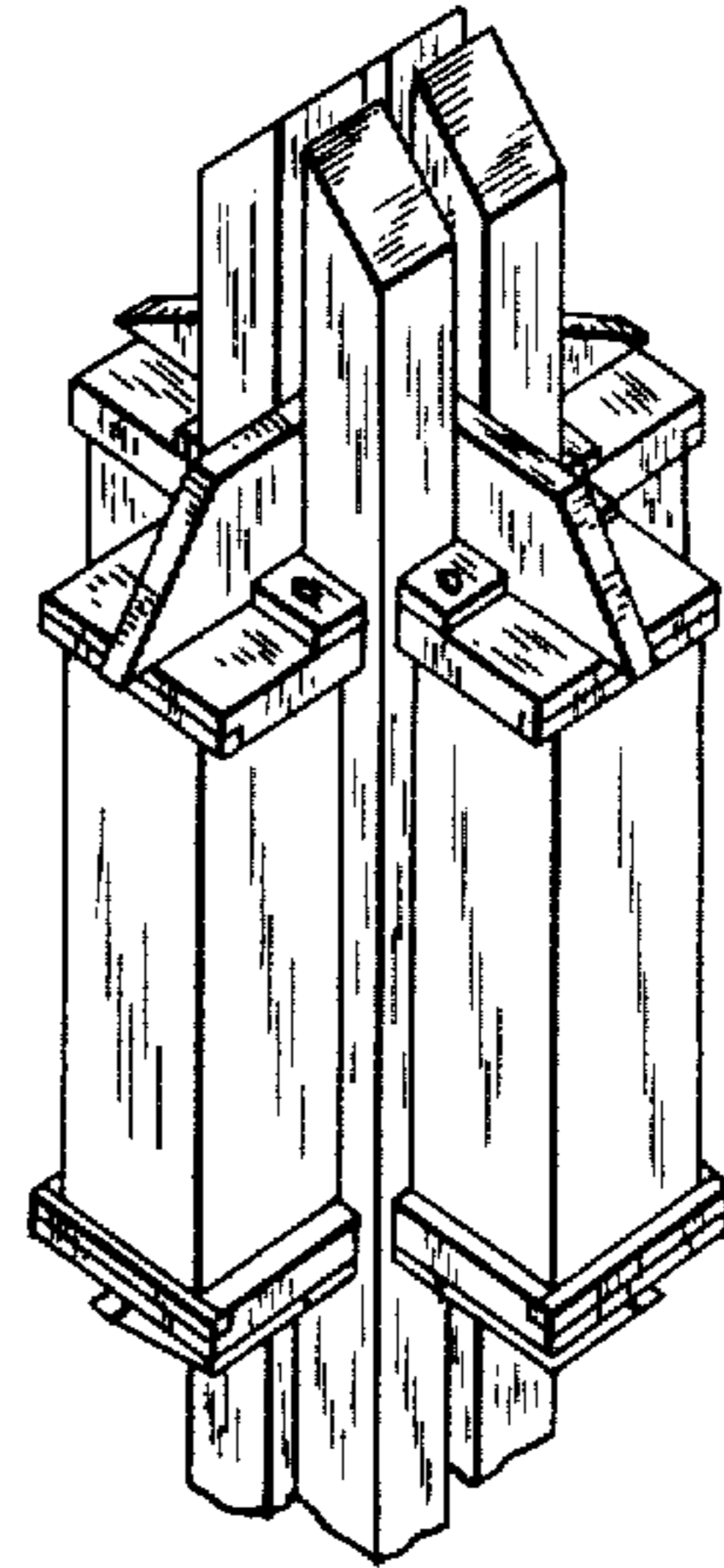


FIG. 2.

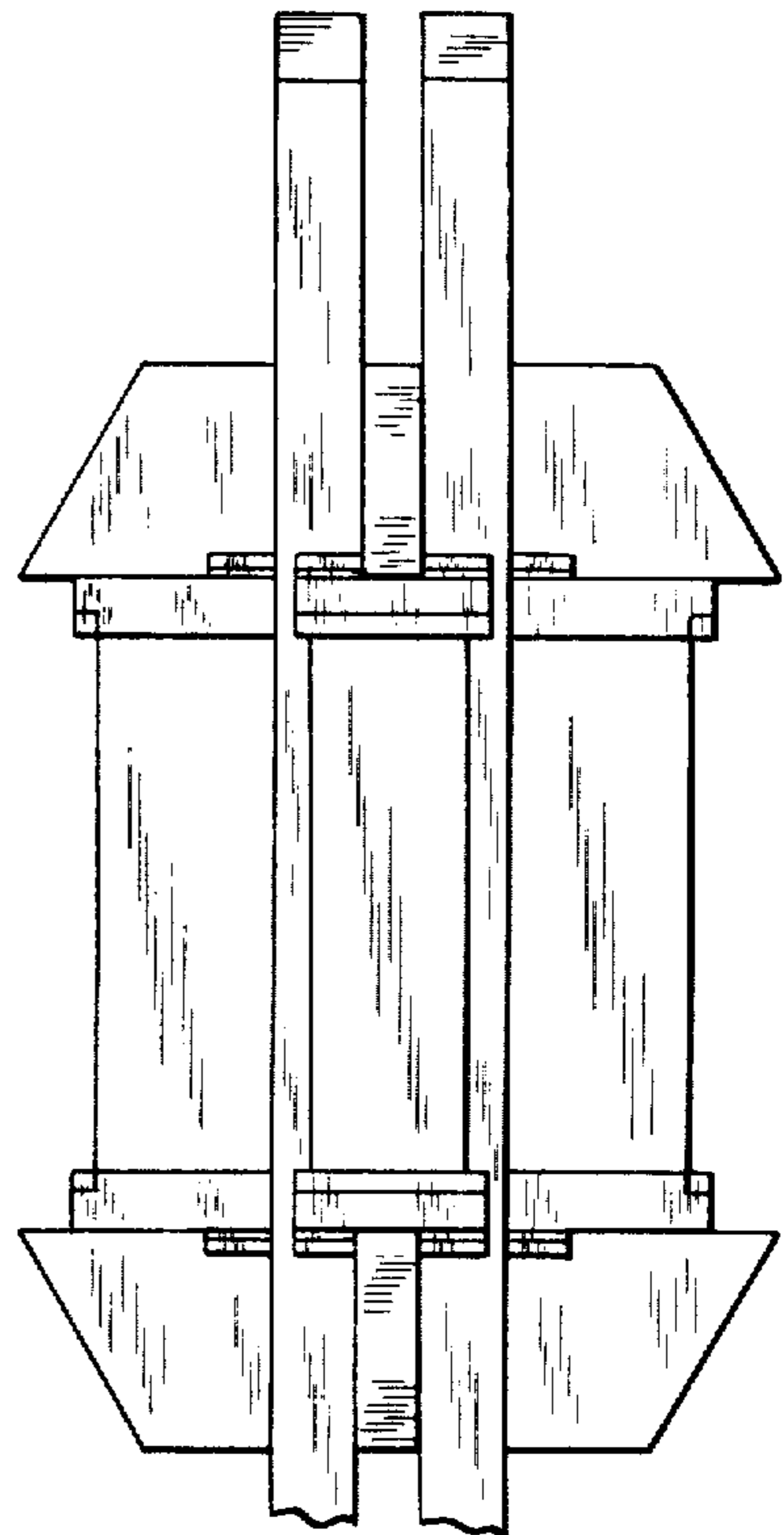


FIG. 4.