

[54] CONNECTING PIECE FOR FENCES

[76] Inventor: Tommy B. B. Persson, Allansgatan 54, S-214 65 Malmö, Sweden

[**] Term: 14 Years

[21] Appl. No.: 863,615

[22] Filed: Dec. 23, 1977

[30] Foreign Application Priority Data

Jun. 23, 1977 [SE]	Sweden	77-1404
Dec. 22, 1977 [DK]	Denmark	988/77
Dec. 22, 1977 [FI]	Finland	775/77
Dec. 22, 1977 [NO]	Norway	58812

[51] Int. Cl. D25-01

[52] U.S. Cl. D25/44

[58] Field of Search 256/21, 19; 403/272, 403/271, 230, 265, 267, 270, 290; 52/284; 285/189, 196; D6/191; D25/73, 74, 75, 38, 42, 43, 44; 312/263, 257

[56] References Cited

U.S. PATENT DOCUMENTS

2,614,827	10/1952	Peach et al.	256/21 X
3,851,981	12/1974	Corsi et al.	403/271 X

OTHER PUBLICATIONS

Sweet's Architectural Catalog File, 1961, Ge/Tu, p. 5, joints at lower left.

Primary Examiner—A. Hugo Word
Attorney, Agent, or Firm—Wenderoth, Lind & Ponack

[57] CLAIM

The ornamental design for a connecting piece for fences, as shown and described.

DESCRIPTION

FIG. 1 is a perspective view of the connecting piece for fences according to a first embodiment of the invention as seen from the side

FIG. 2 is a perspective view of the connecting piece as seen from below

FIG. 3 is a side plan view of the connecting piece

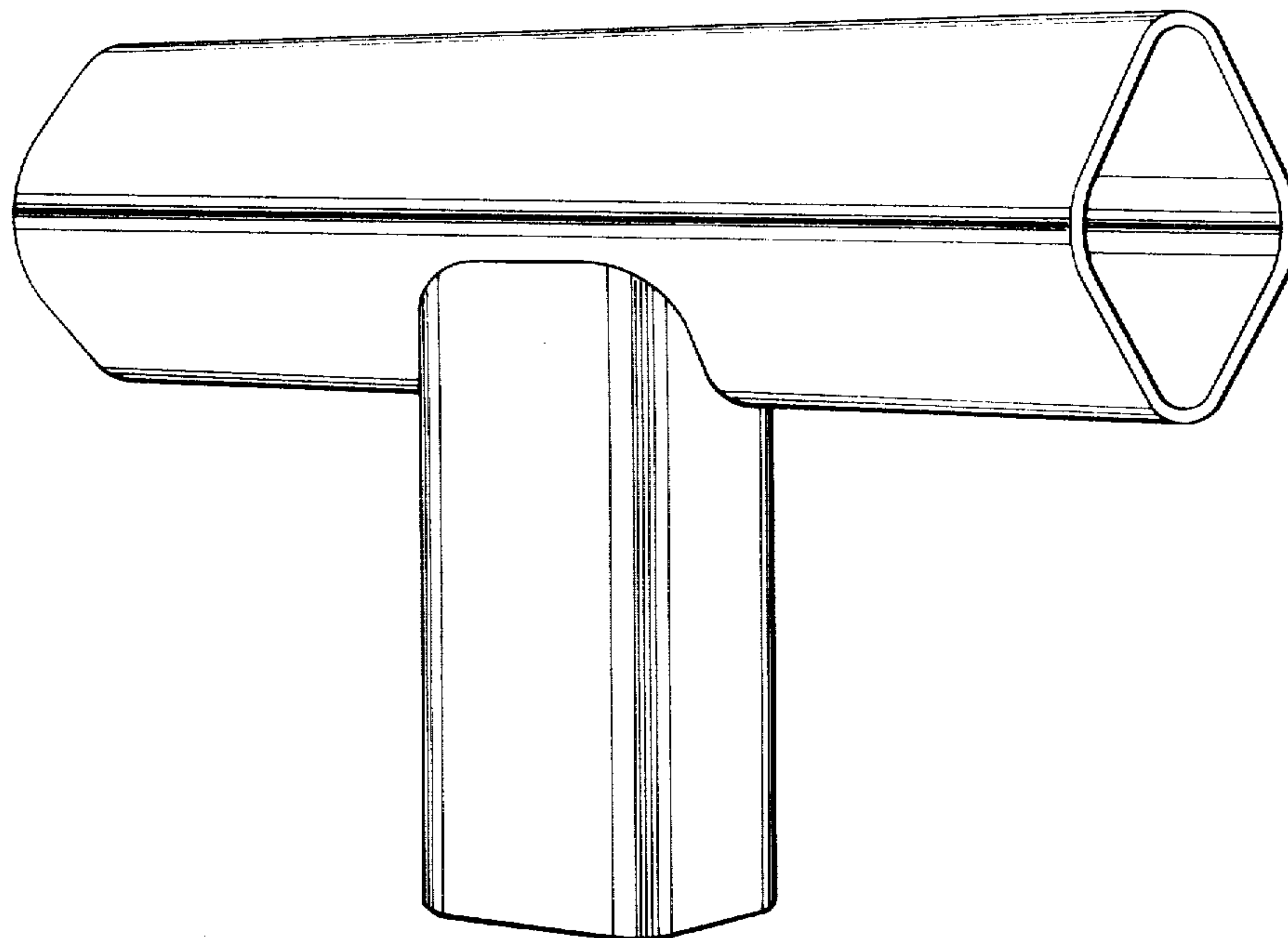
FIG. 4 is a bottom plan view of the connecting piece

FIG. 5 is a perspective view of the connecting piece for fences according to a second embodiment of the invention as seen from the side

FIG. 6 is a perspective view of the connecting piece as seen from below

FIG. 7 is a side plan view of the connecting piece

FIG. 8 is a bottom plan view of the connecting piece.



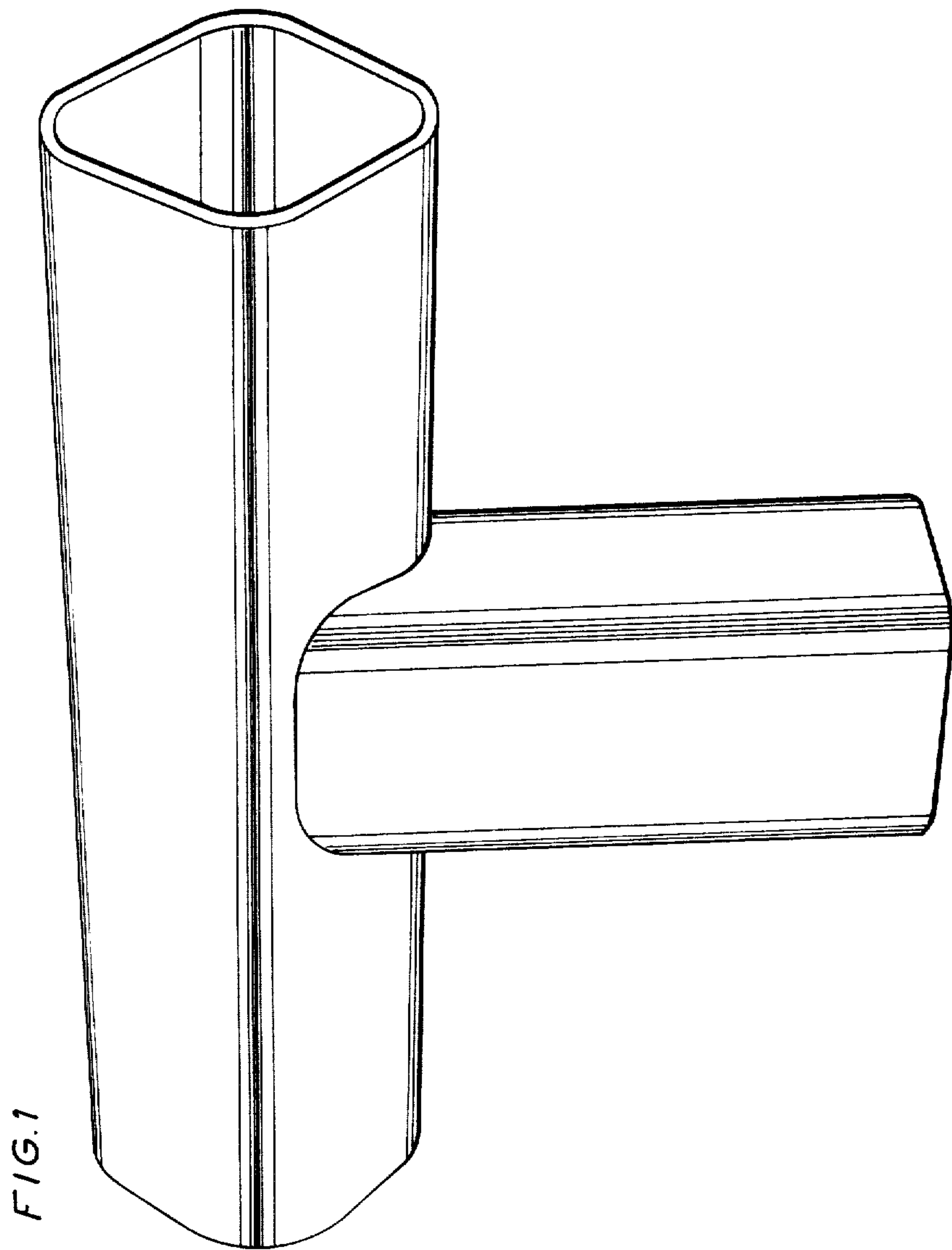


FIG. 2

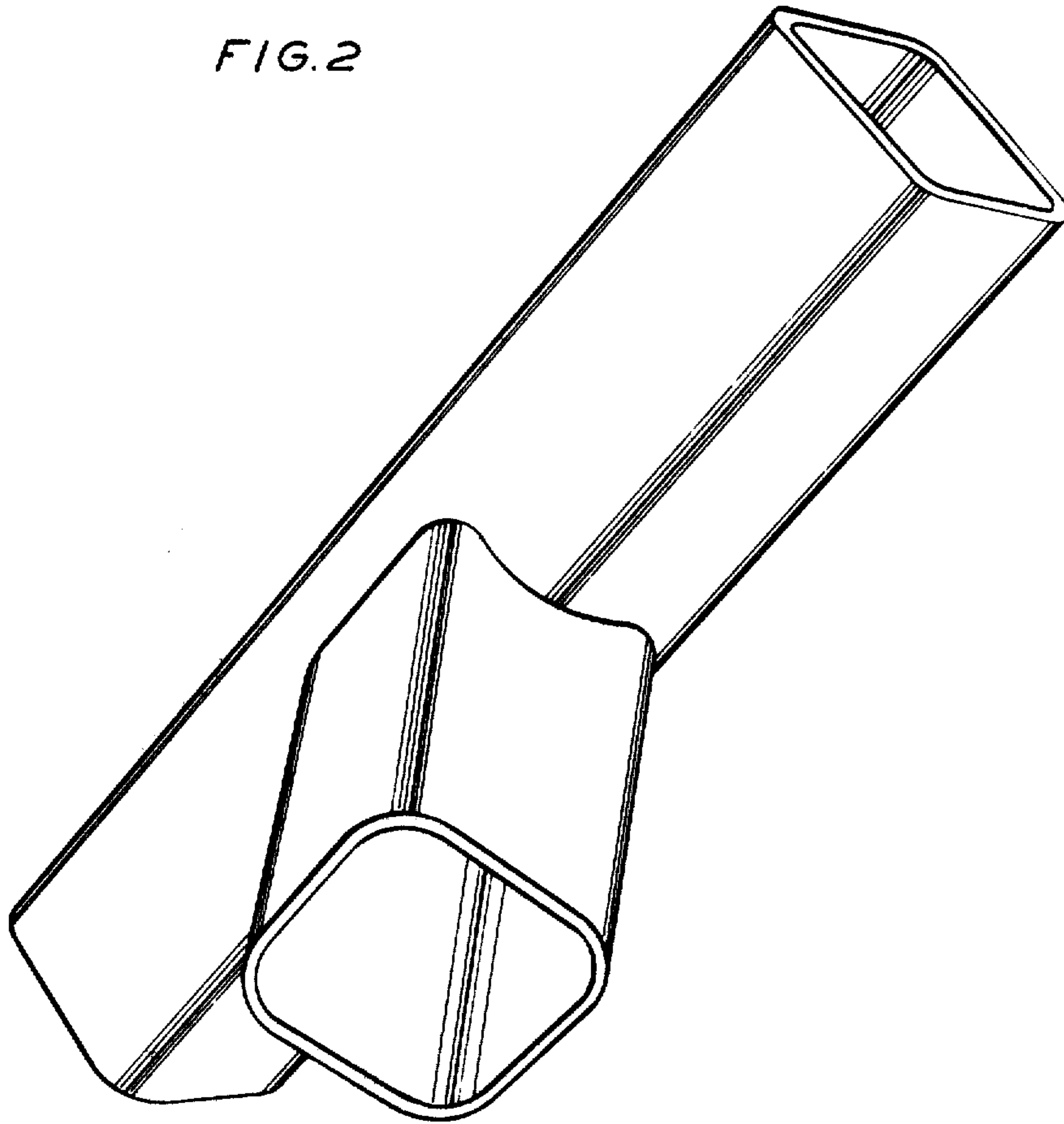


FIG. 3

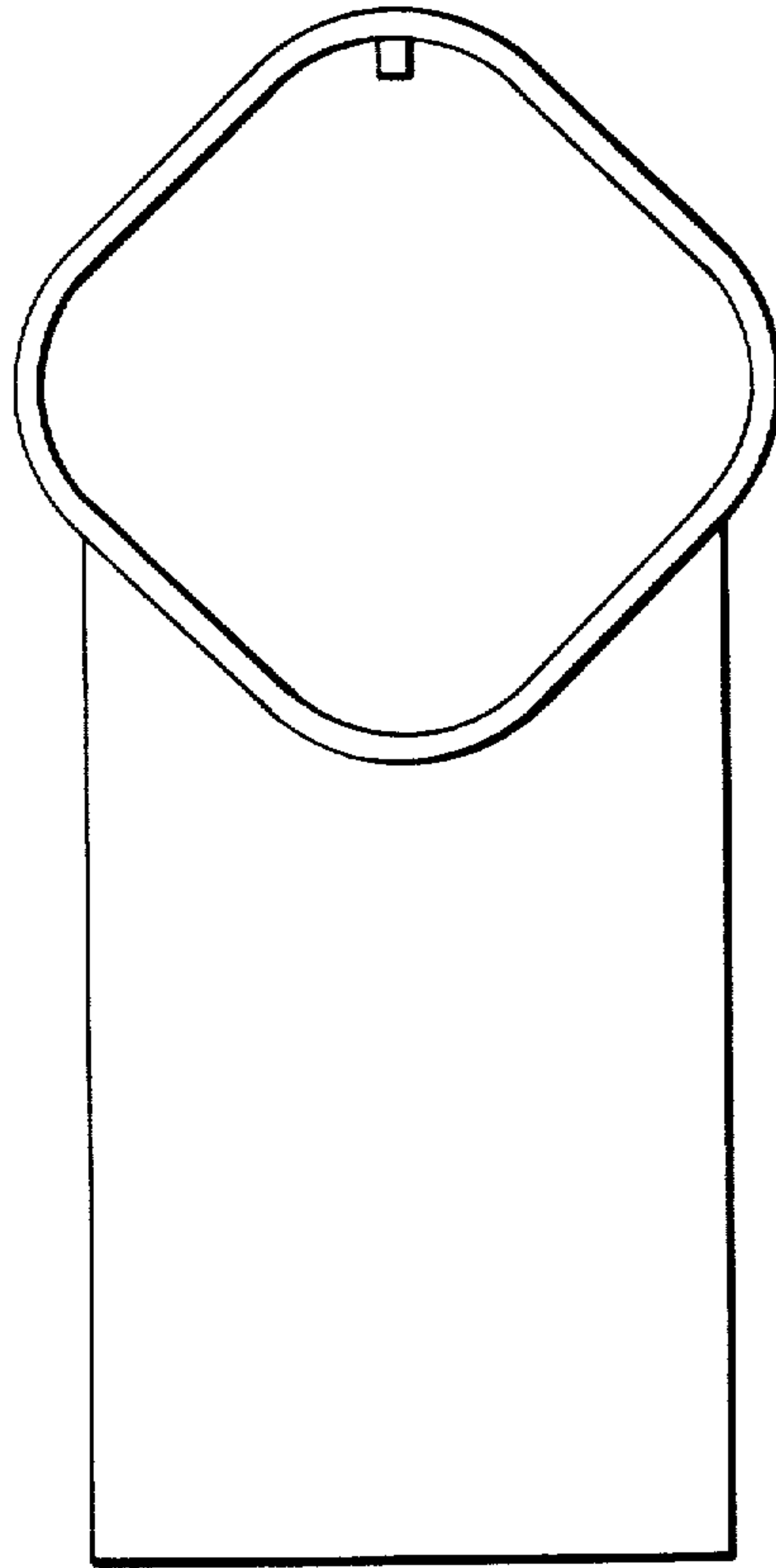
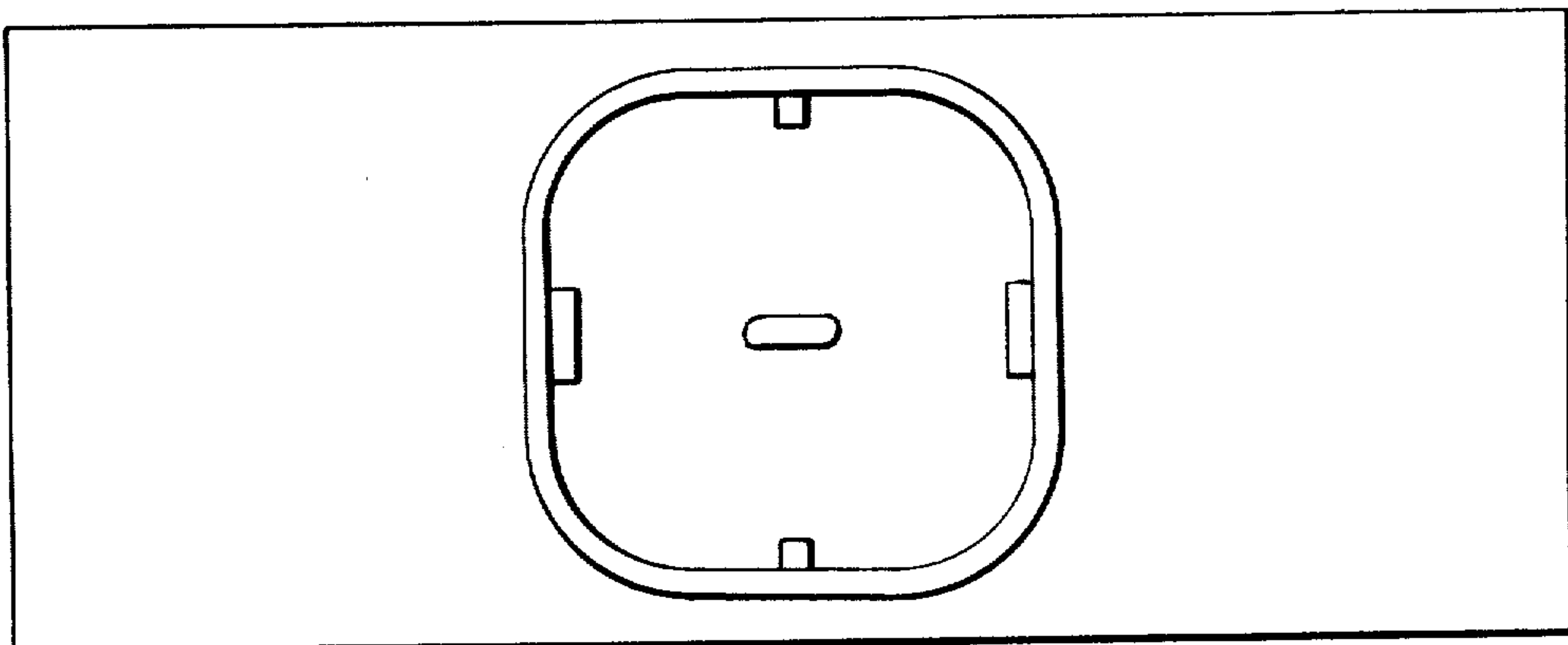


FIG. 4



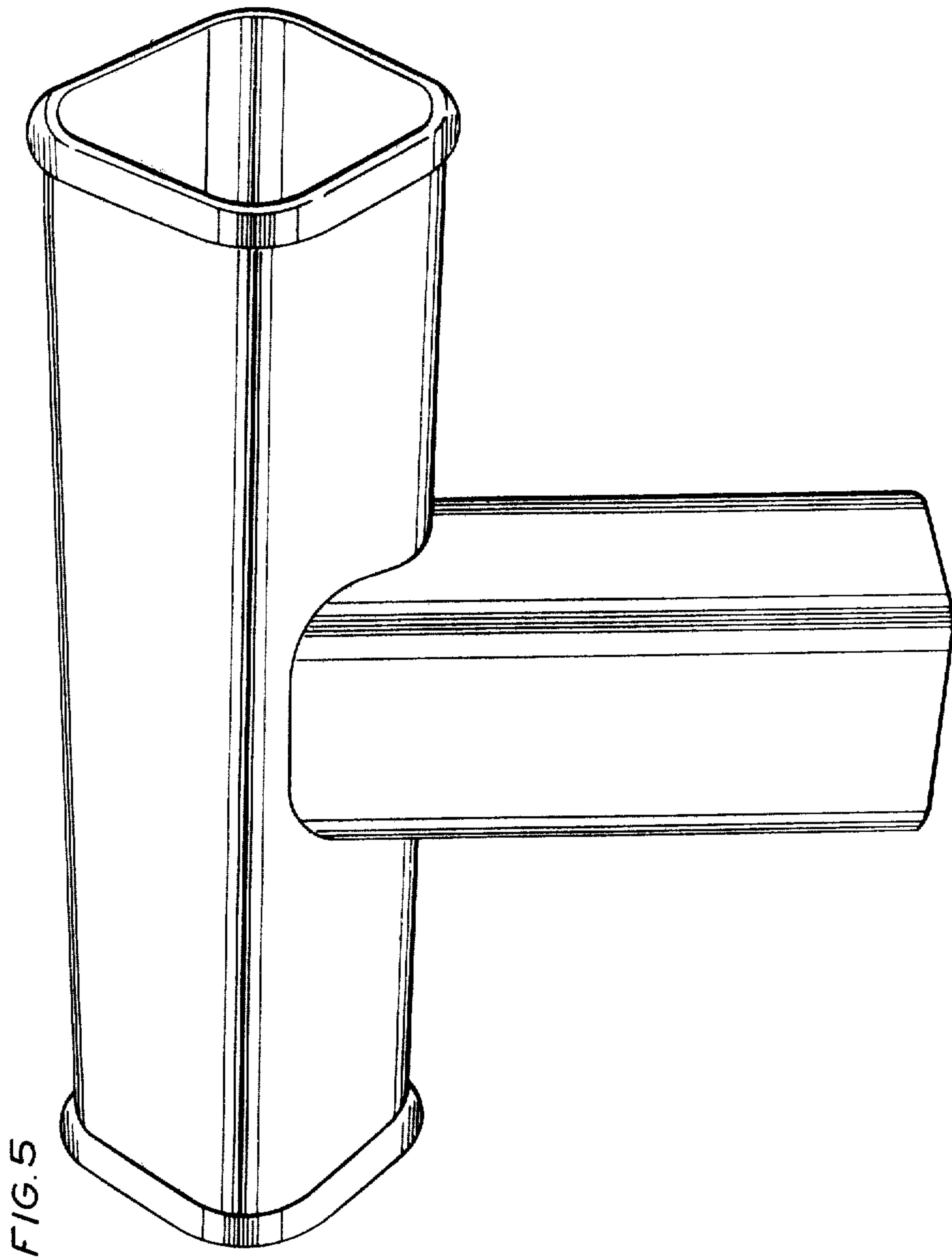


FIG. 6

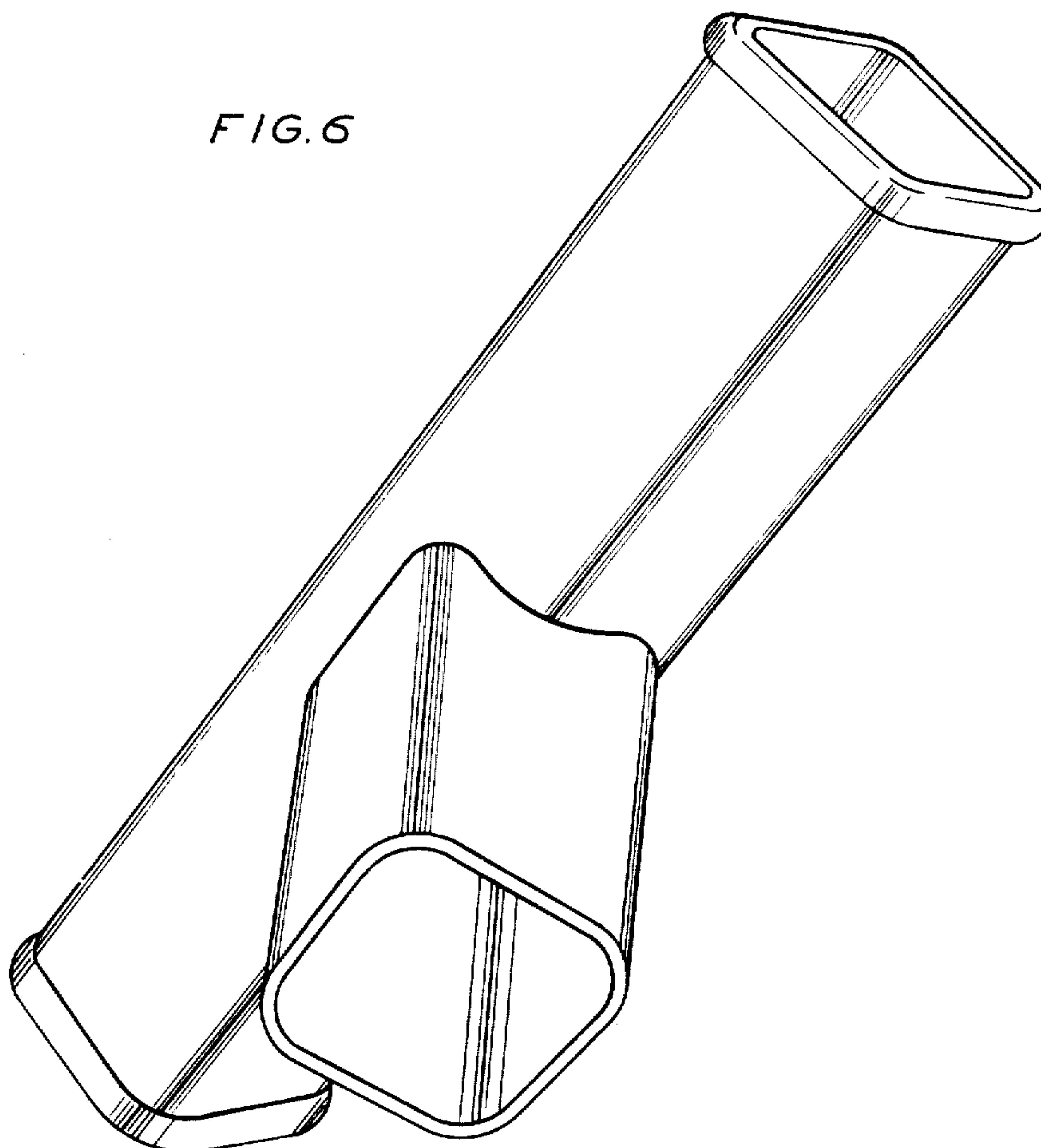


FIG. 7

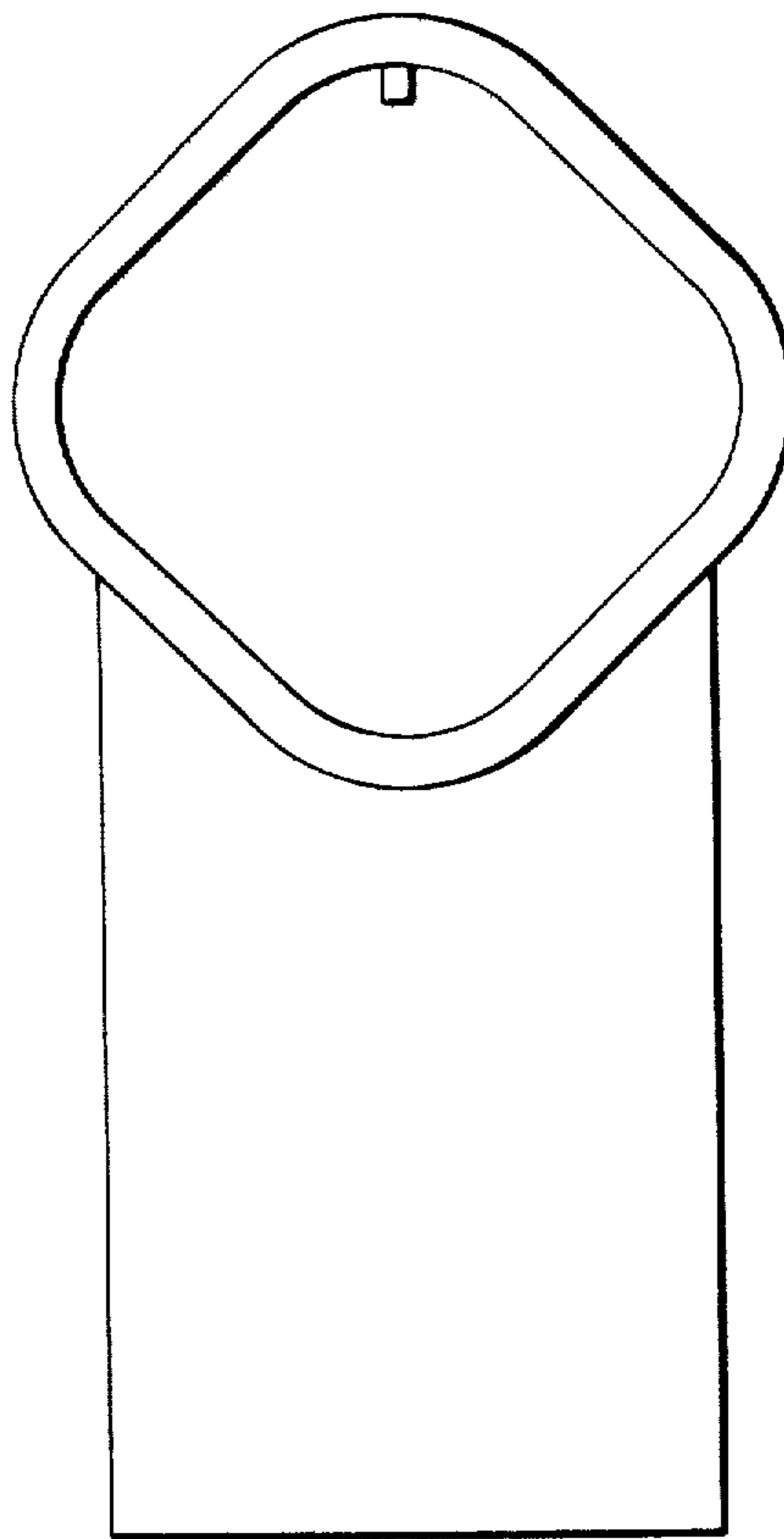


FIG. 8

