

[54] **HYDROMASSAGE DEVICE**

[75] Inventor: **Morison S. Cousins**, New York, N.Y.

[73] Assignee: **The Gillette Company**, Boston, Mass.

[**] Term: **14 Years**

[21] Appl. No.: **46,200**

[22] Filed: **Jun. 6, 1979**

[51] Int. Cl. **D24-01**

[52] U.S. Cl. **D24/38**

[58] Field of Search **D24/38; 128/66, 65, 128/365, 369; 4/541-544, 567-570**

[56] **References Cited**

U.S. PATENT DOCUMENTS

D. 187,060	1/1960	Bohnenblust	D24/38
D. 243,040	1/1977	Grube	D24/38
2,559,678	7/1951	Schroeter	128/66
3,034,139	5/1962	Kapnick et al.	4/544
3,085,576	4/1963	Rocke	128/66
3,159,849	12/1964	Jacuzzi	4/542
3,345,982	10/1967	Guiler	128/66

3,481,328	12/1969	Powell	128/66
3,874,374	4/1975	Jacuzzi	128/66
3,961,382	6/1976	Peterson	4/544
3,965,495	6/1976	McNair	4/622
4,086,525	4/1978	Ibsen	320/40
4,100,917	7/1978	Talge et al.	4/542
4,139,001	2/1979	Macabee	128/66

Primary Examiner—T. Tung

Attorney, Agent, or Firm—Raymond J. DeVellis

[57] **CLAIM**

The ornamental design for a hydromassage device, as shown and described.

DESCRIPTION

FIG. 1 is a front perspective view of a hydromassage device showing my new design, FIG. 2 is a rear perspective view thereof, FIG. 3 is a front elevational view thereof, FIG. 4 is a left side elevational view thereof, FIG. 5 is a right side elevational view thereof, FIG. 6 is a rear elevational view thereof, FIG. 7 is a top plan view thereof, and FIG. 8 is a bottom plan view thereof.

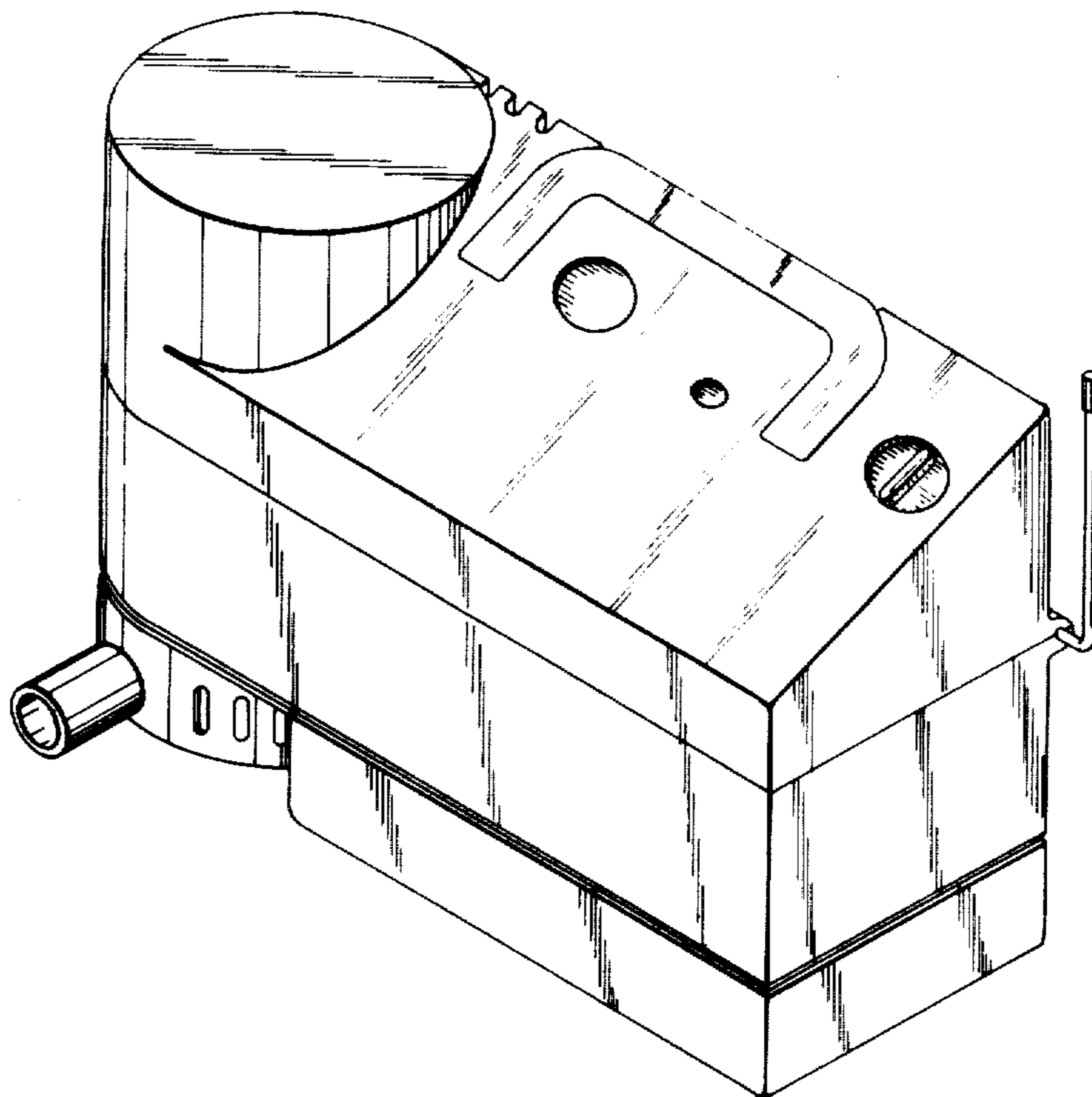


FIG. 1

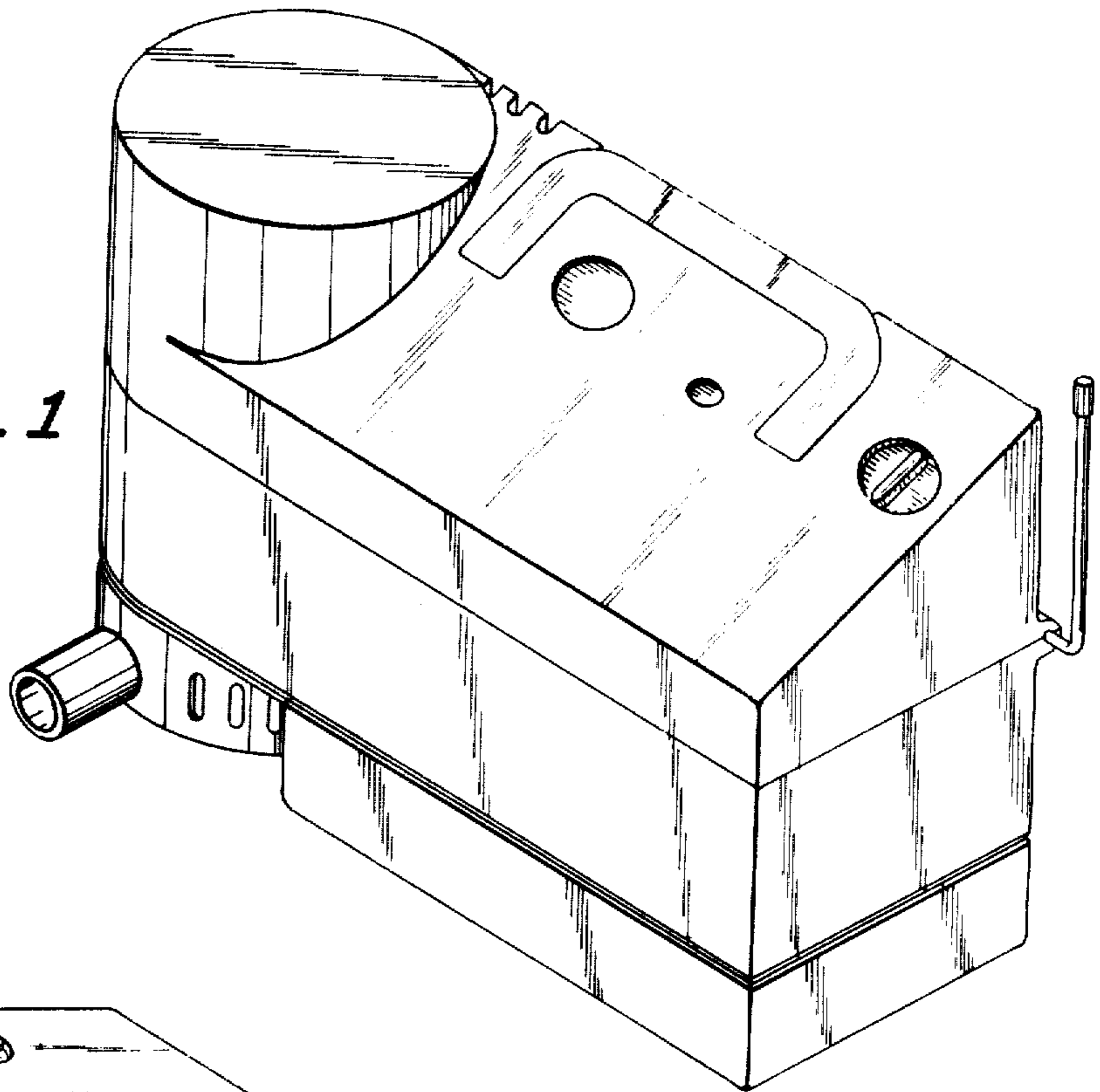
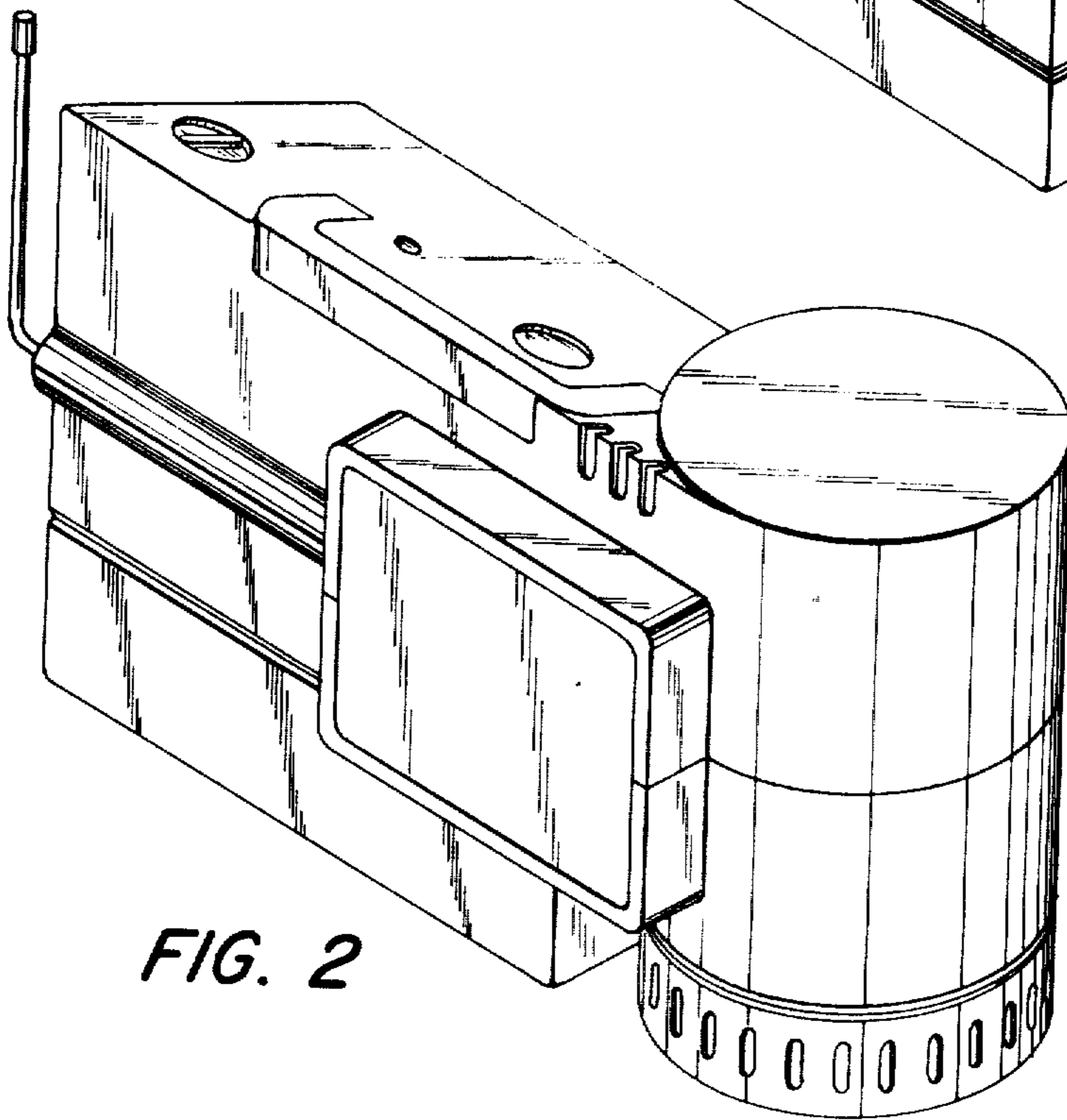


FIG. 2



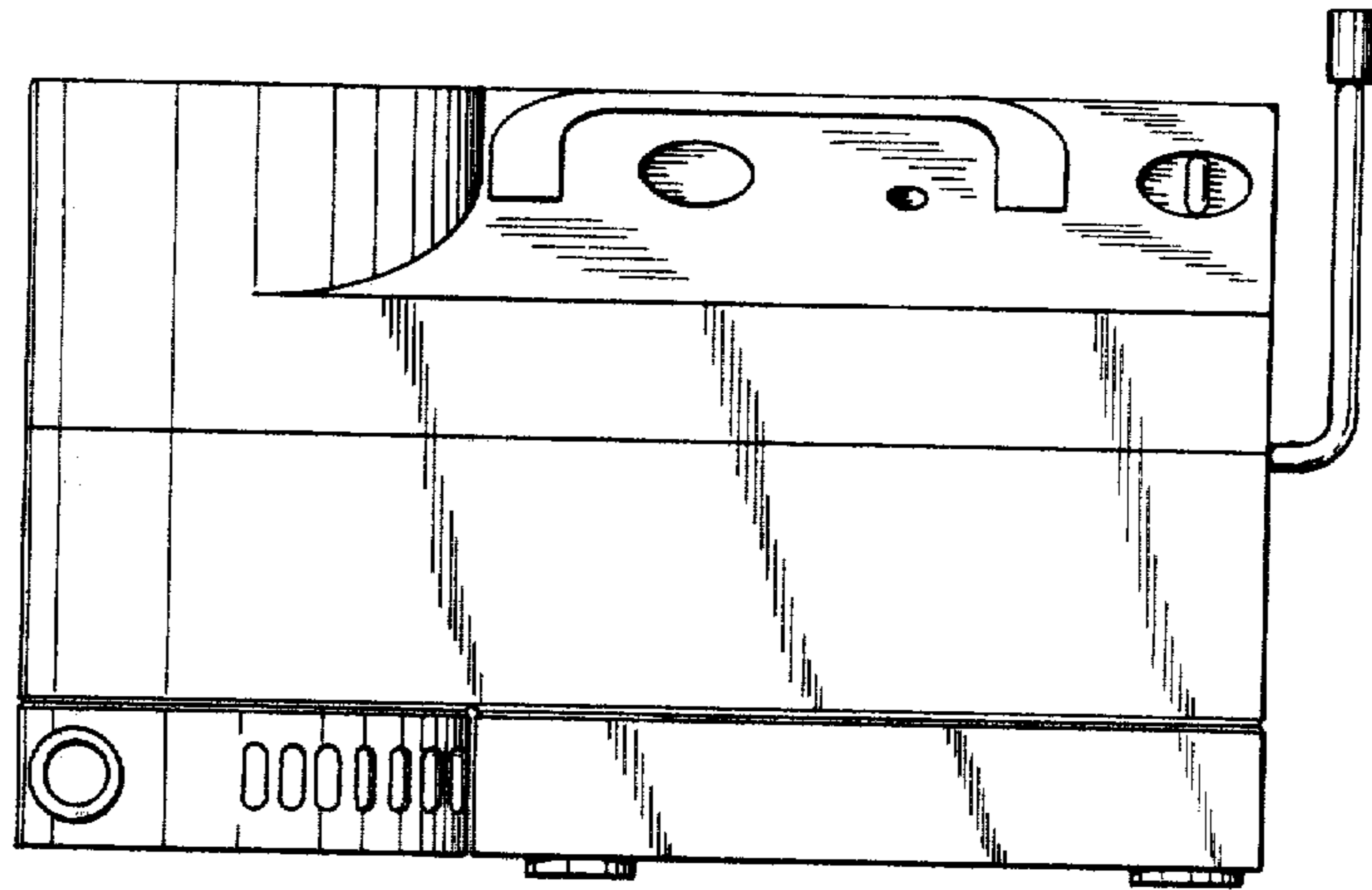


FIG. 3

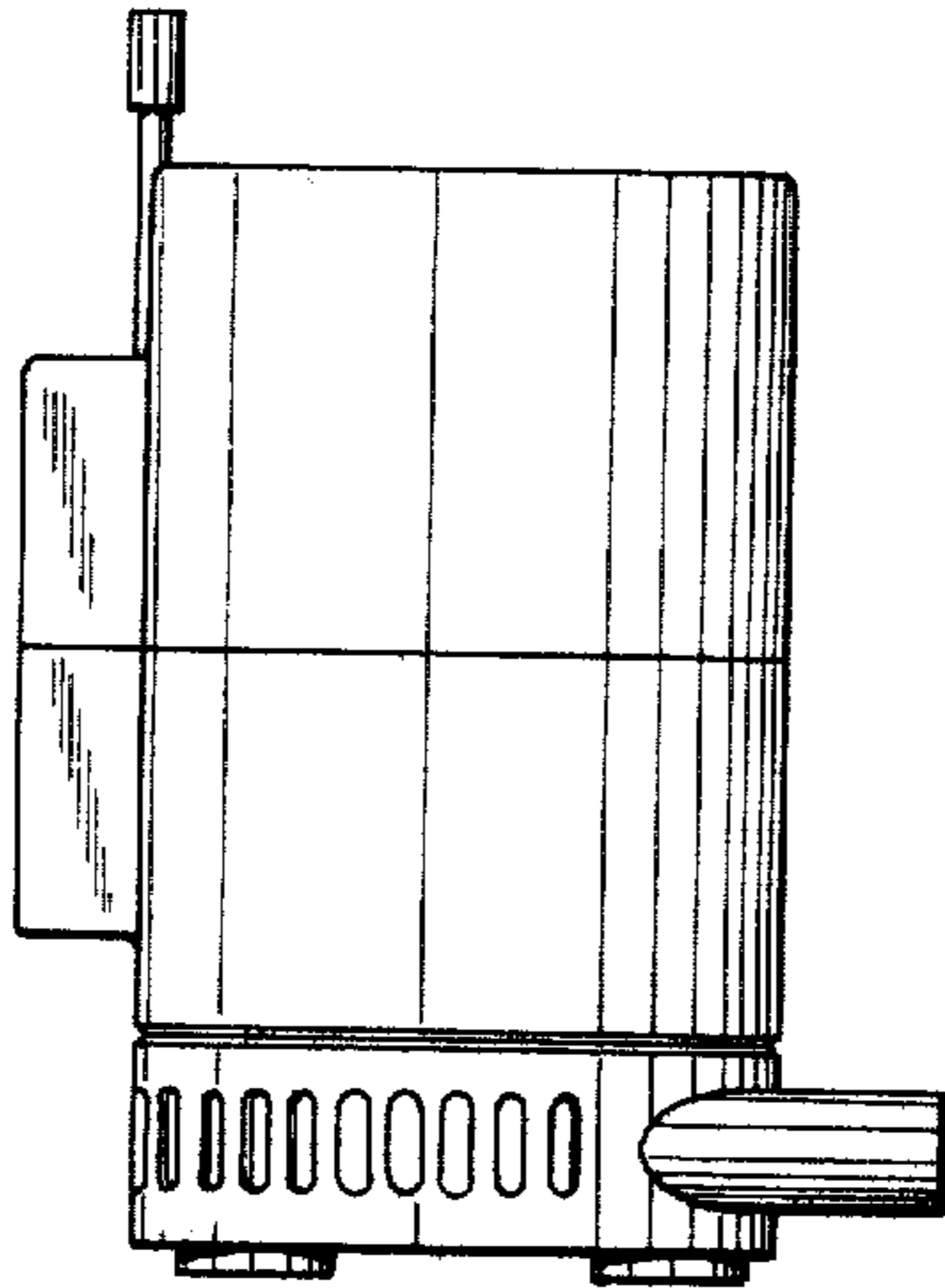


FIG. 4

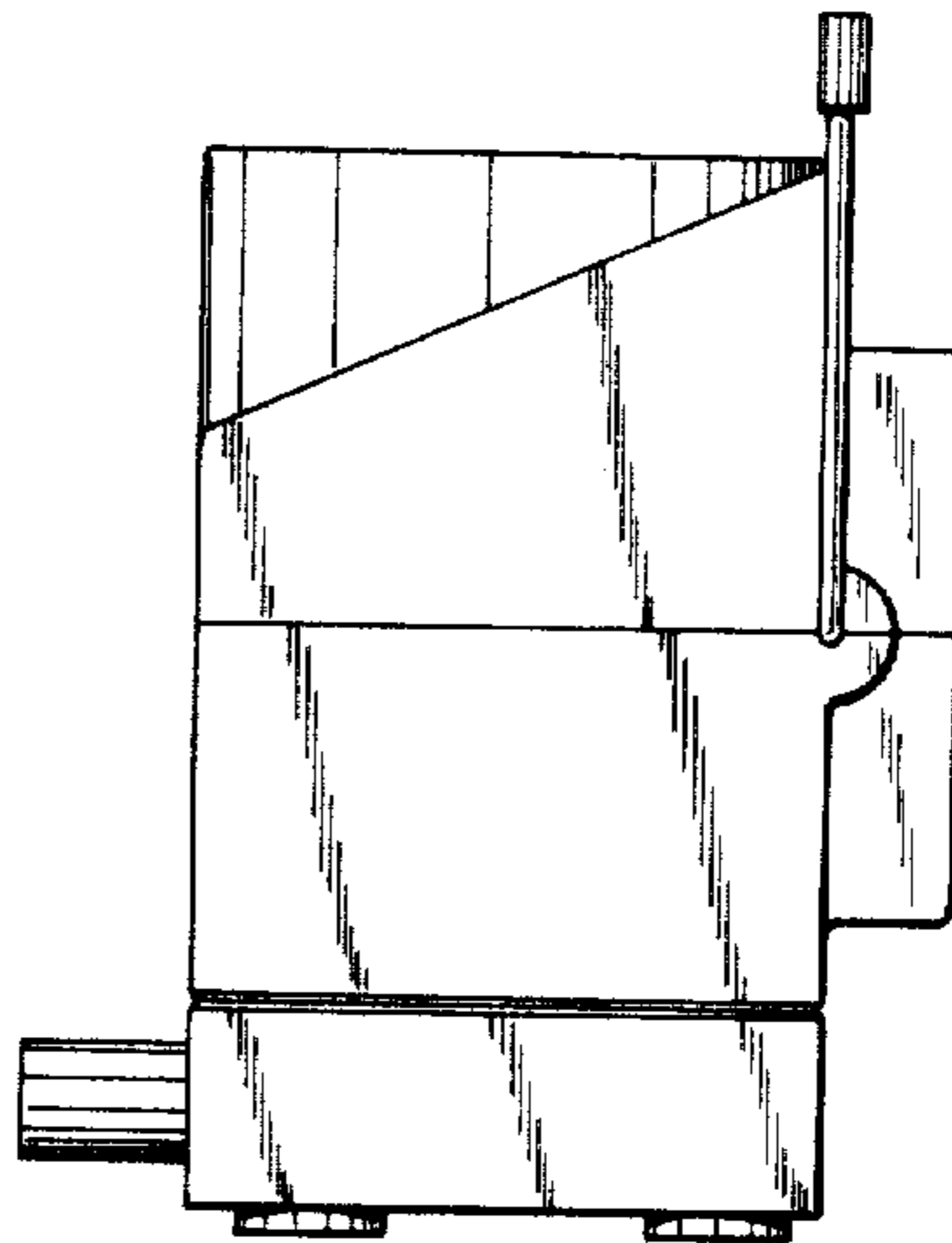


FIG. 5

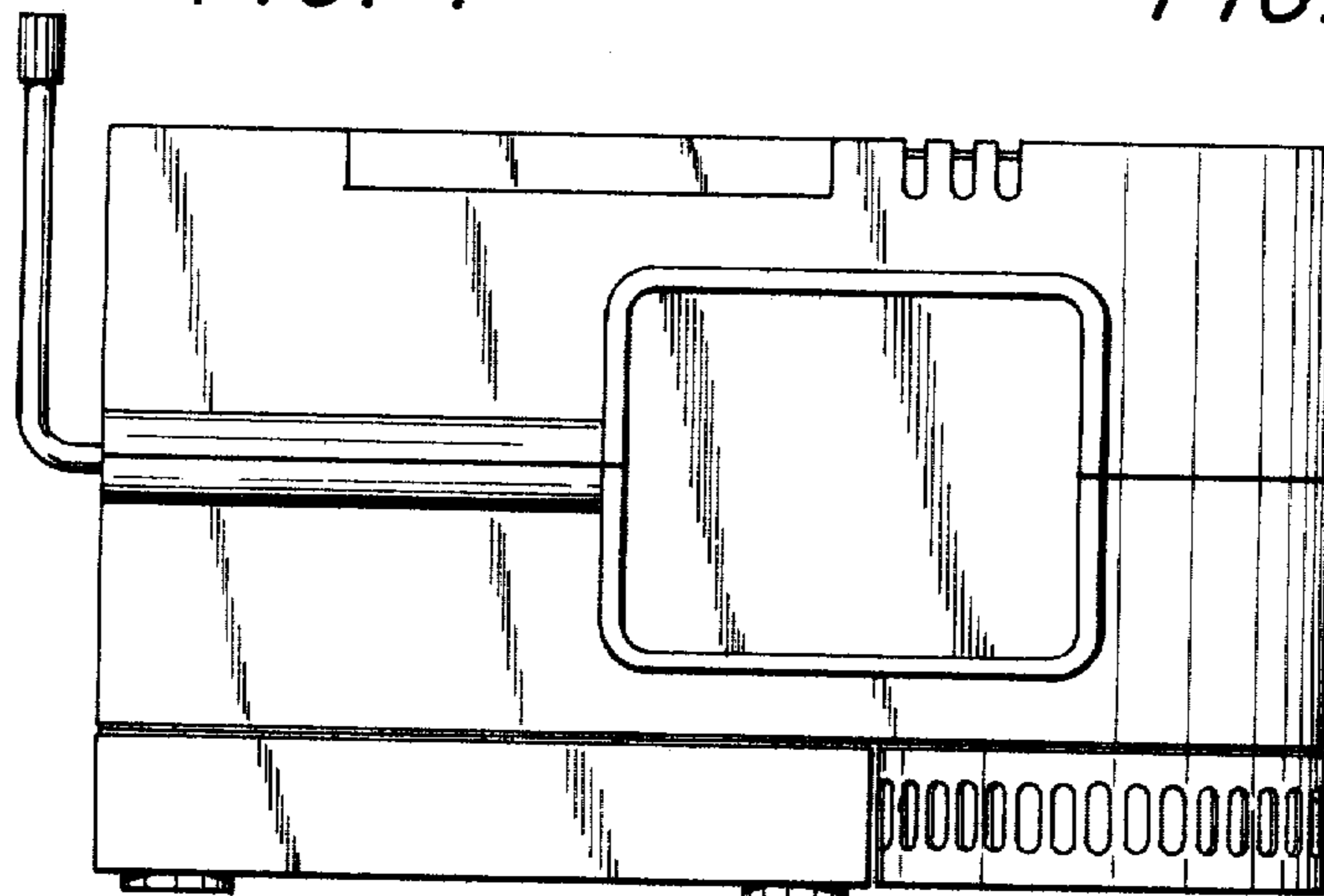


FIG. 6

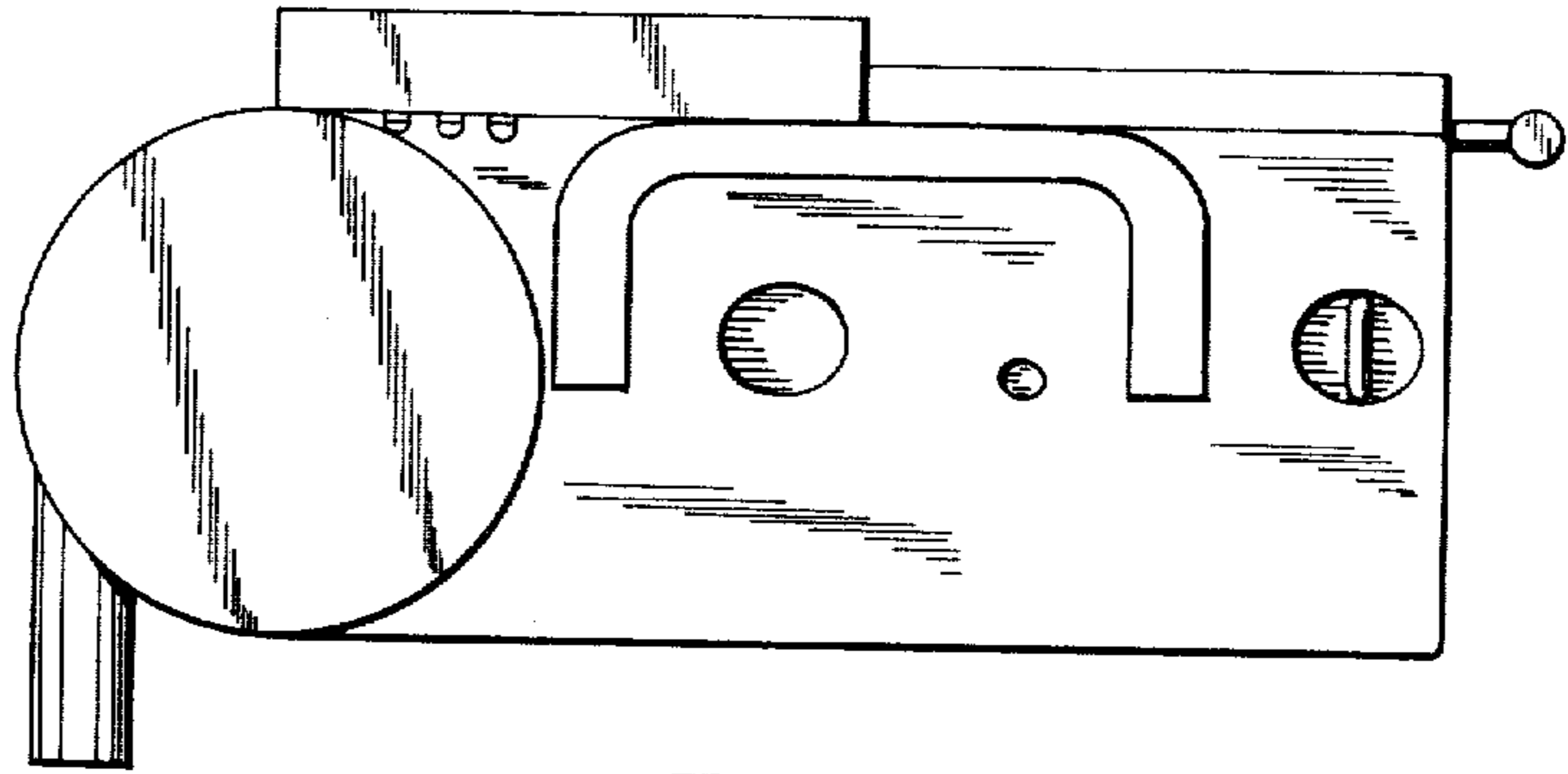


FIG. 7

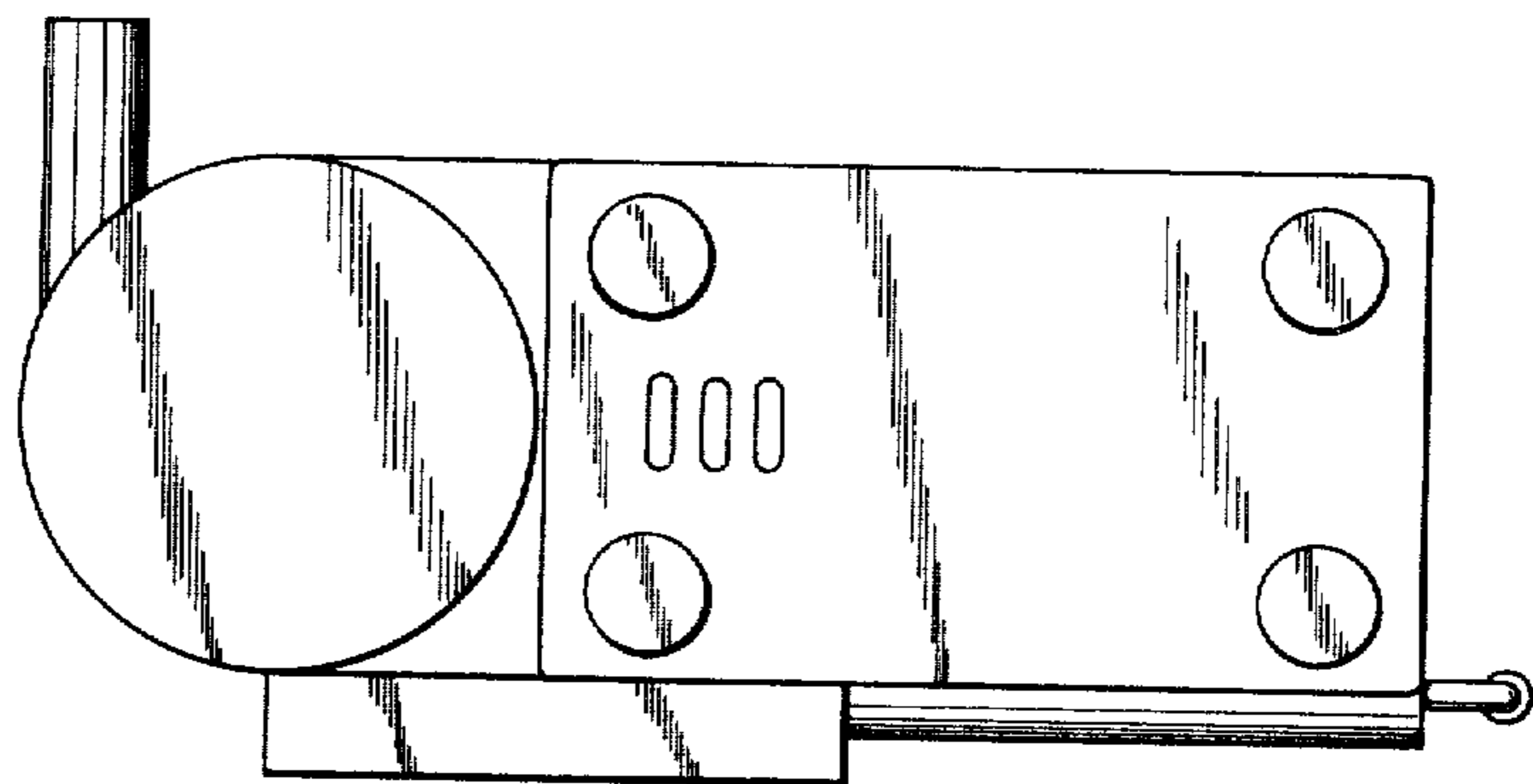


FIG. 8