

[54] RECEPTACLE FOR SYRINGES AND OTHER SHARP ARTICLES WITH A TRASH COMPARTMENT ON TOP THEREOF

[76] Inventor: Alfred R. Jordan, 1118 E. U.S. 40, Craig, Colo. 81625

[\*\*] Term: 14 Years

[21] Appl. No.: 31,197

[22] Filed: Apr. 18, 1979

[51] Int. Cl. .... D24-29

[52] U.S. Cl. .... D24/29; D7/82; D9/430; D9/432; 220/403; 232/43.1

[58] Field of Search .... D24/29; D7/82; 232/43.1; 220/1 T, 403; D9/430, 432

[56] References Cited

U.S. PATENT DOCUMENTS

1,647,275	11/1927	Cursons	232/43.1
2,112,448	3/1938	Port	232/43.1
3,785,254	1/1974	Mann	D9/432
4,126,241	11/1978	Klosk	220/1 T

FOREIGN PATENT DOCUMENTS

528238 11/1921 France ..... 206/827

OTHER PUBLICATIONS

Bainbridge, Kimpton & Haupt, Office Supplies, Commercial Stationery, 1956, p. 209, Agate Card Trays.

Primary Examiner—Veronica O’Keefe  
Attorney, Agent, or Firm—W. Scott Carson

[57] CLAIM

The ornamental design for a receptacle for syringes and other sharp articles with a trash compartment on top thereof, as shown and described.

DESCRIPTION

FIG. 1 is a perspective of the receptacle for syringes and other sharp articles with a trash compartment on top. The tray shown in broken lines in FIG. 1 is for illustrative purposes only.

FIG. 2 is a side view thereof taken from the left of FIG. 3.

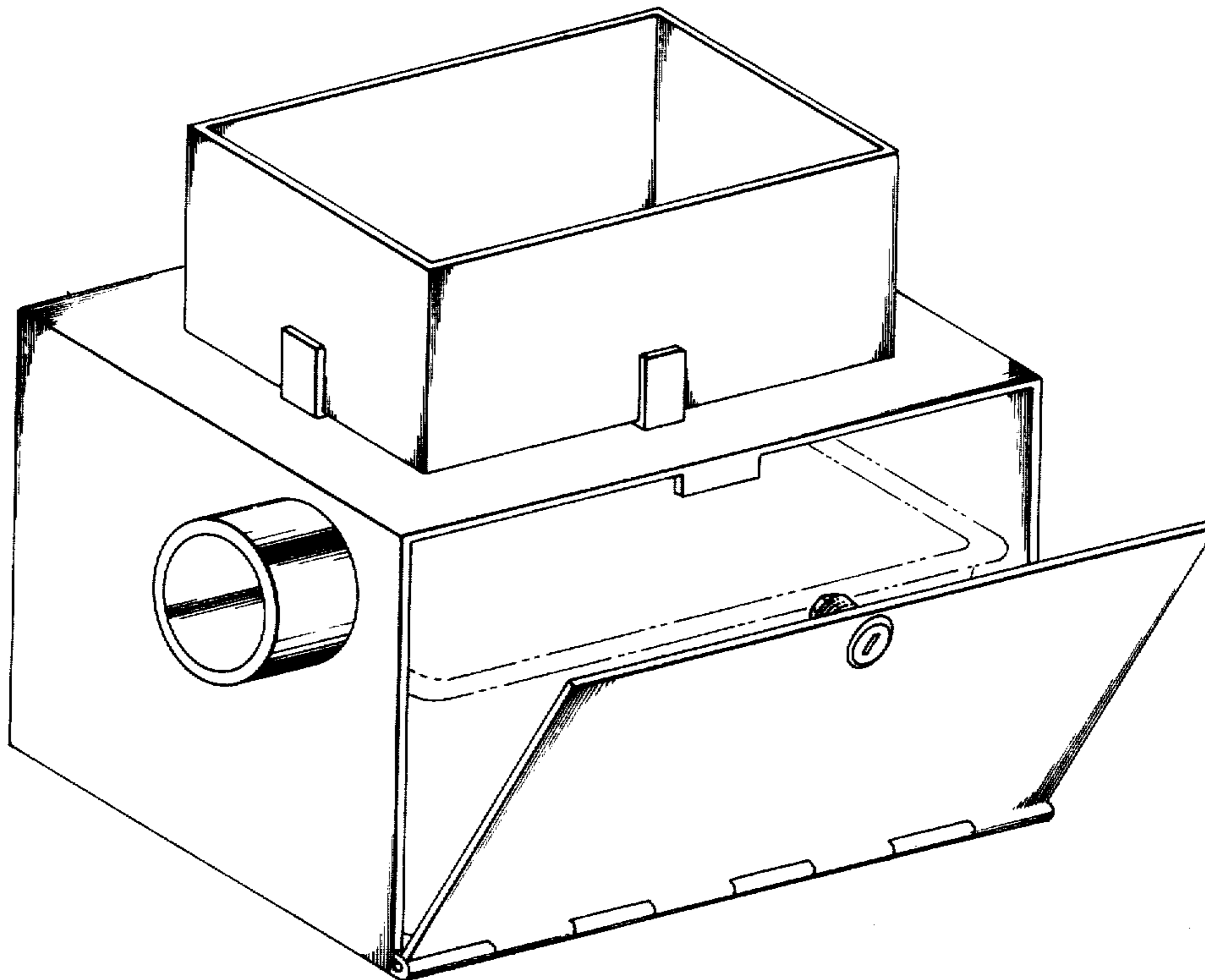
FIG. 3 is a front view thereof.

FIG. 4 is a side view thereof taken from the right of FIG. 3.

FIG. 5 is a back view thereof.

FIG. 6 is a top view thereof.

FIG. 7 is a bottom view thereof.



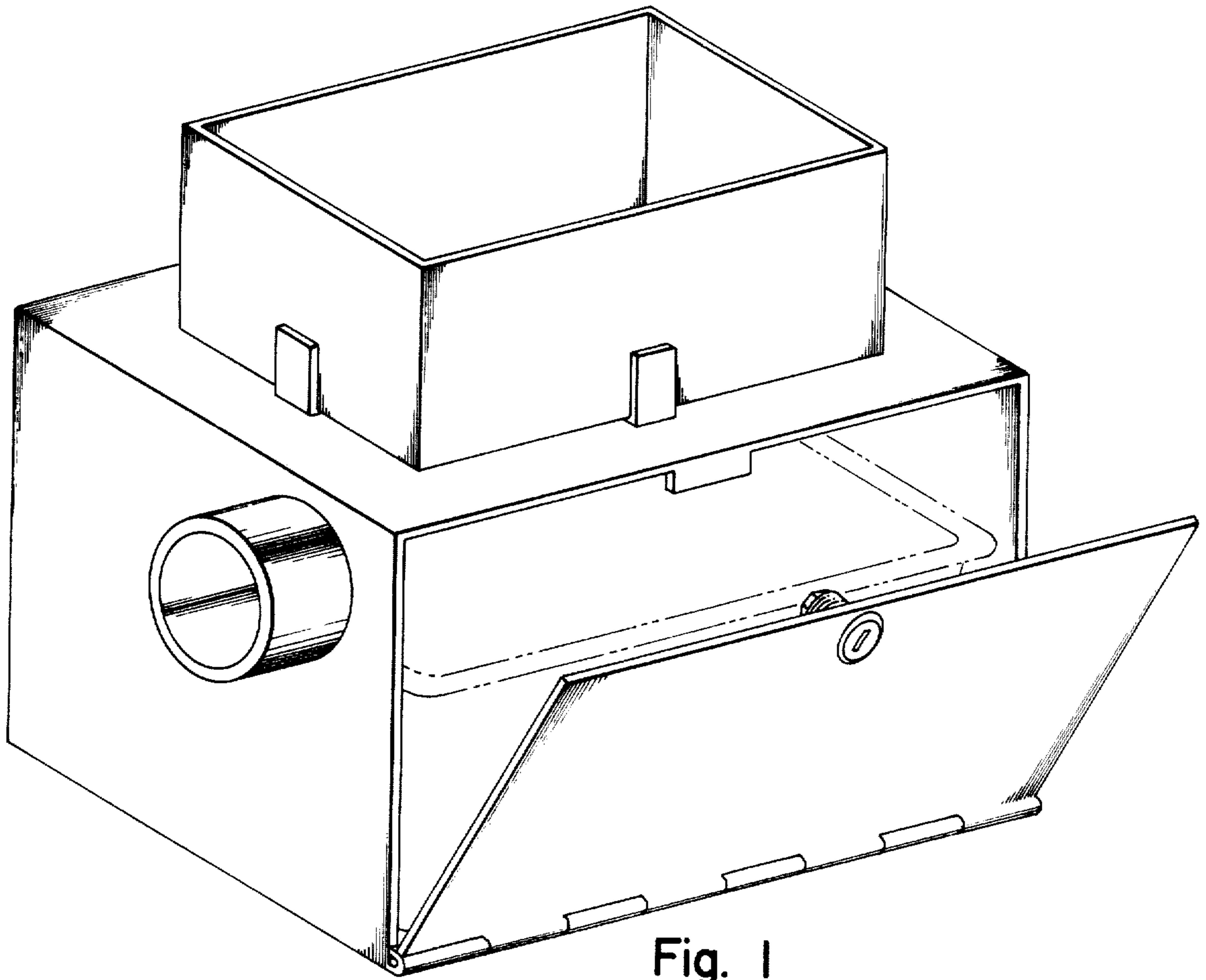


Fig. 1

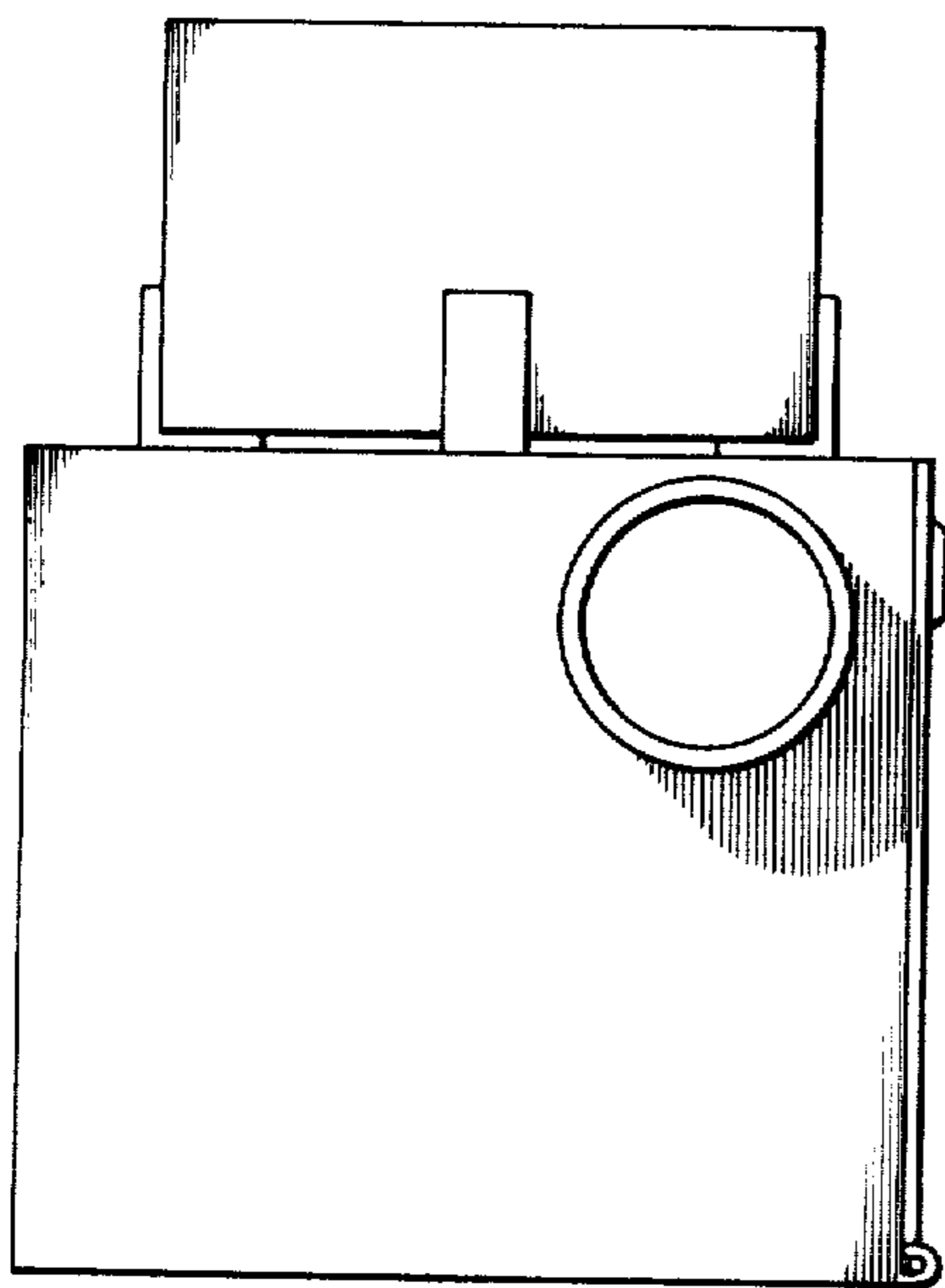


Fig. 2

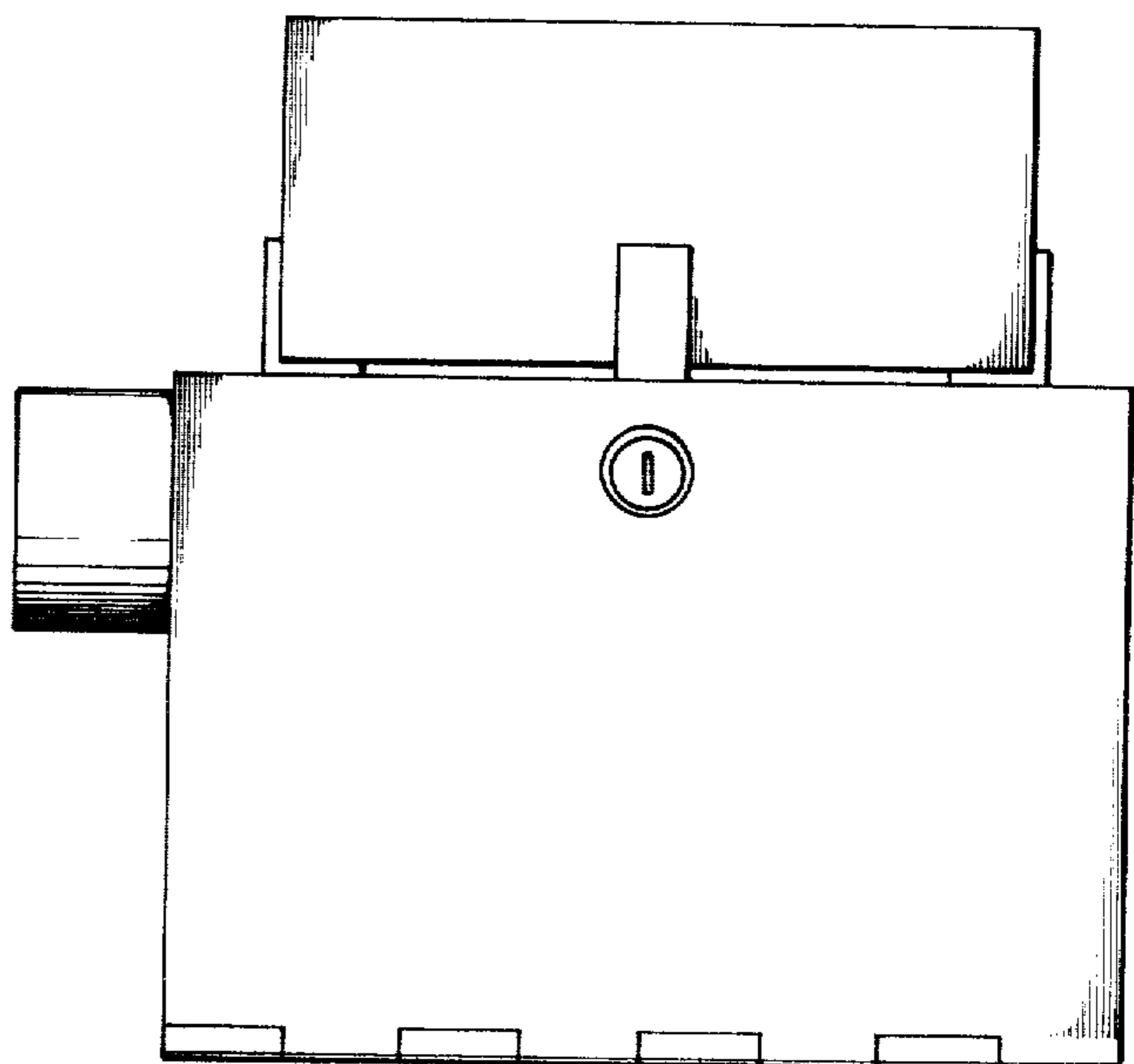


Fig. 3

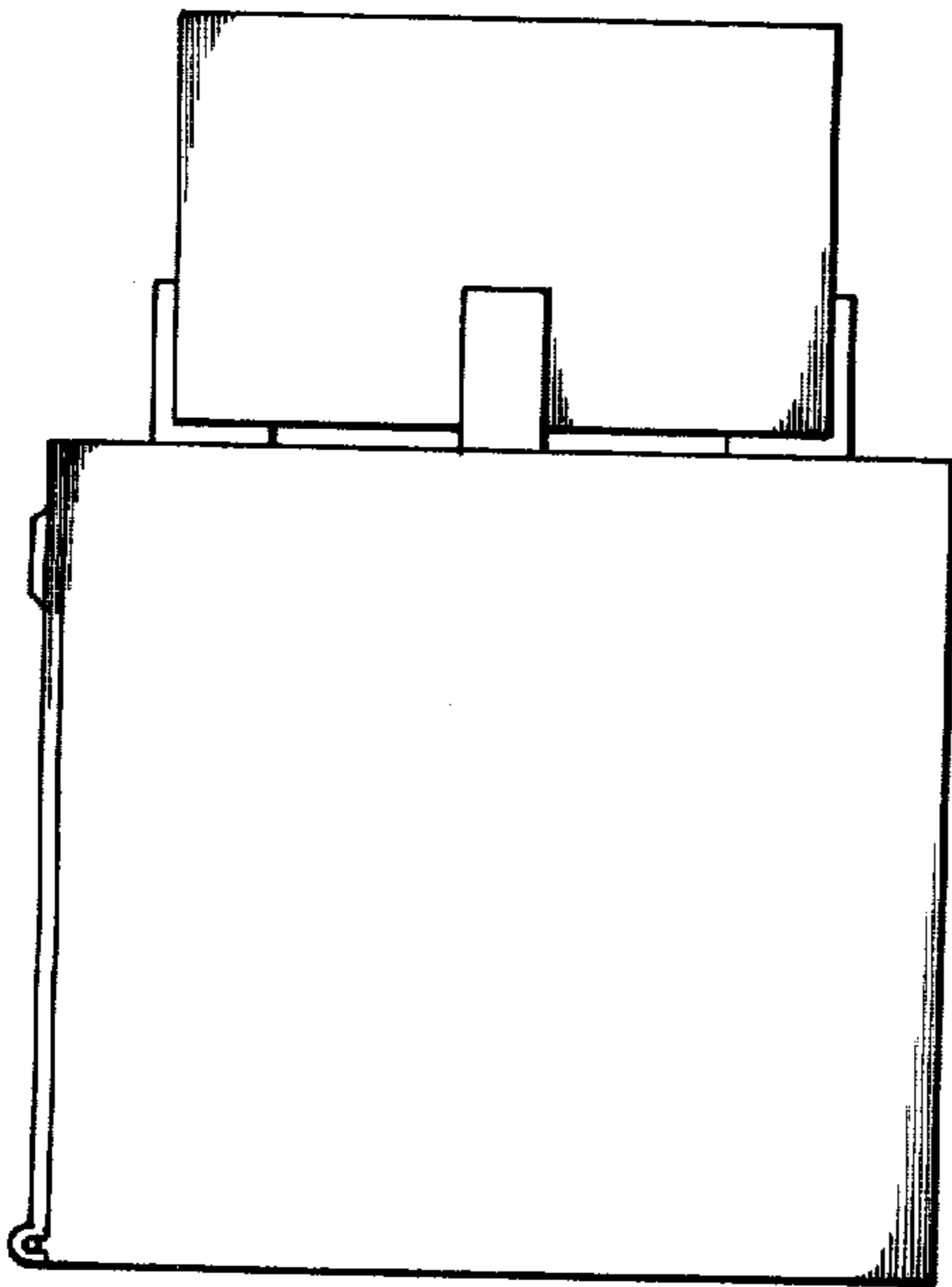


Fig. 4

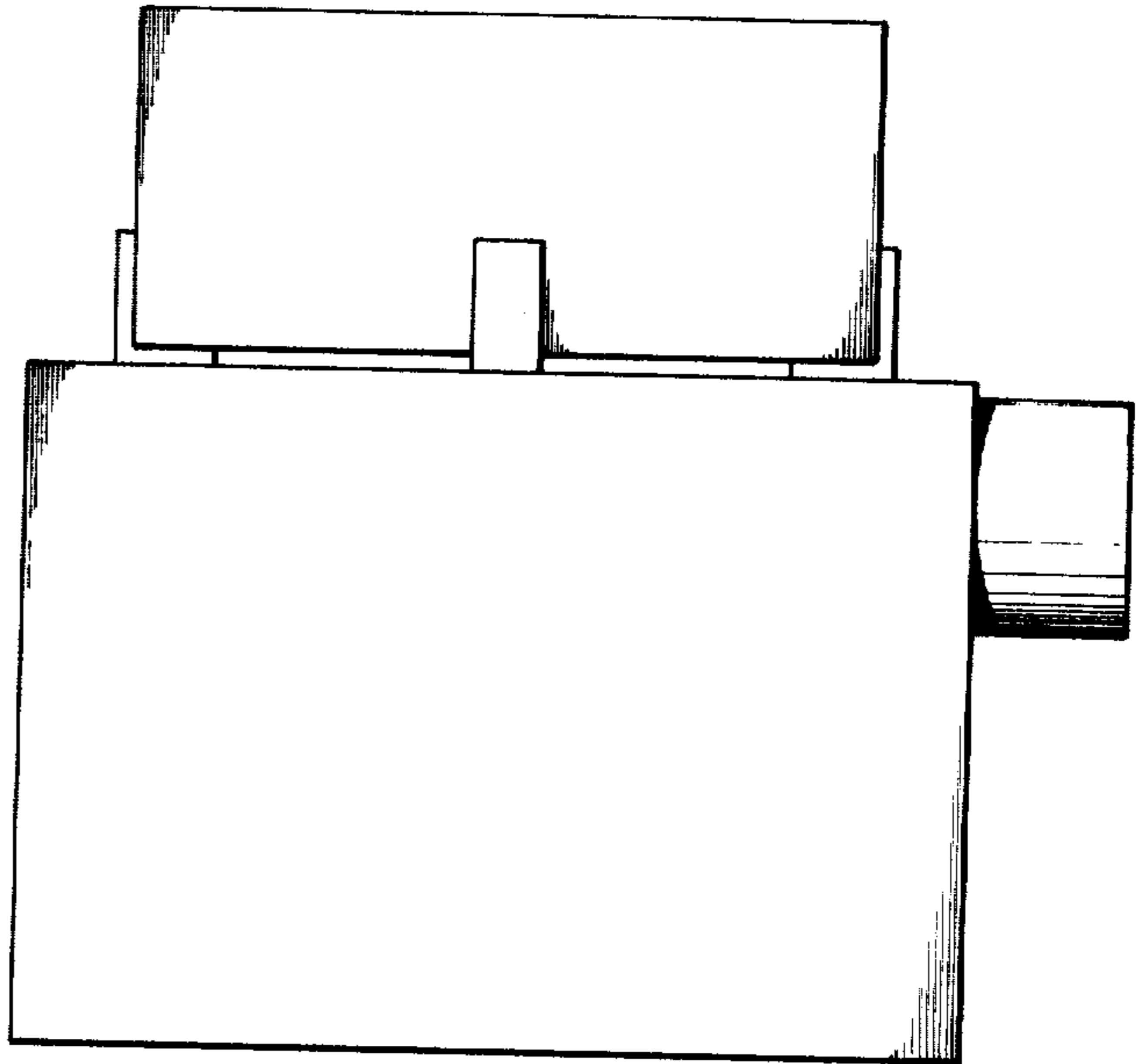


Fig. 5

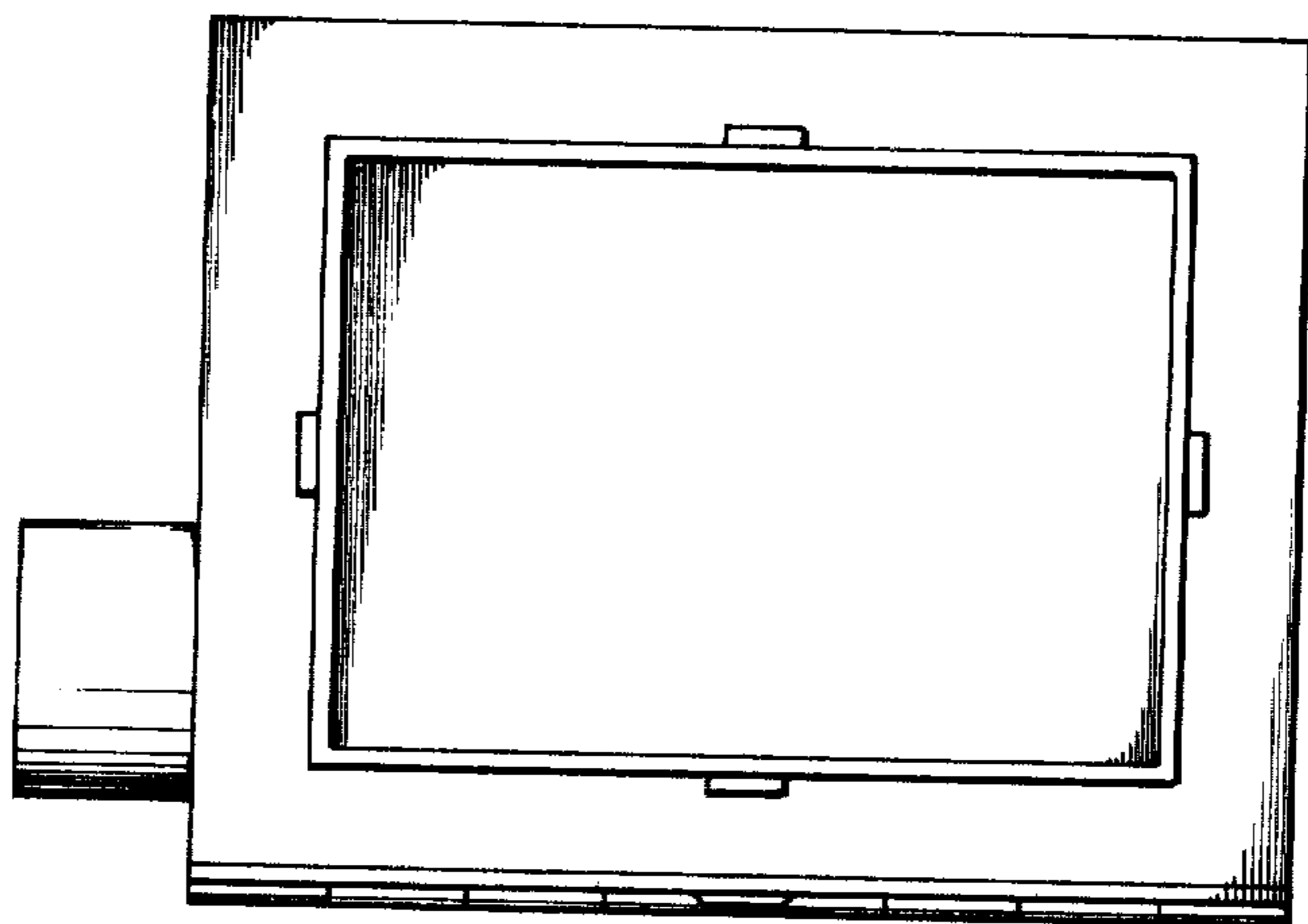


Fig. 6

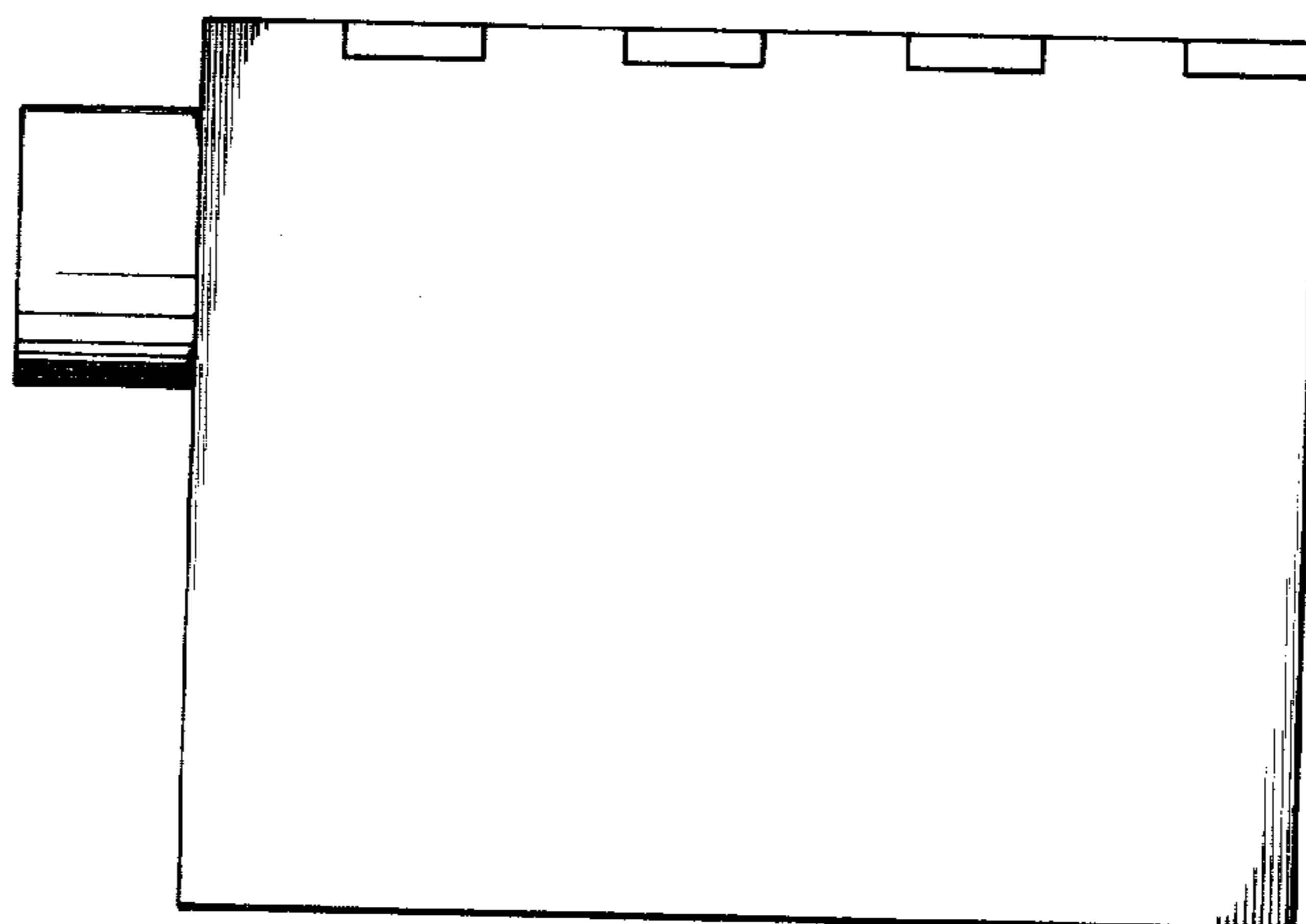


Fig. 7