

[54] MULTIPLE CUVETTE ASSEMBLY

[75] Inventor: Harold S. Terk, Richardson, Tex.

[73] Assignee: Abbott Laboratories, North Chicago, Ill.

[*] Notice: The portion of the term of this patent subsequent to Sep. 30, 1997, has been disclaimed.

[**] Term: 14 Years

[21] Appl. No.: 21,401

[22] Filed: Mar. 19, 1979

Related U.S. Application Data

[63] Continuation-in-part of Ser. No. 946,303, Sep. 27, 1978, Pat. No. Des. 257,175.

[51] Int. Cl. D24-02

[52] U.S. Cl. D24/29; D24/31; D24/17

[58] Field of Search D24/17, 29, 31, 8; 356/246; 422/73, 72

[56] References Cited

U.S. PATENT DOCUMENTS

D. 240,052	5/1976	Verga	D24/17
D. 257,175	9/1980	Terk	D24/31 X
4,178,345	12/1979	Terk	356/246 X
4,195,060	3/1980	Terk	356/246 X

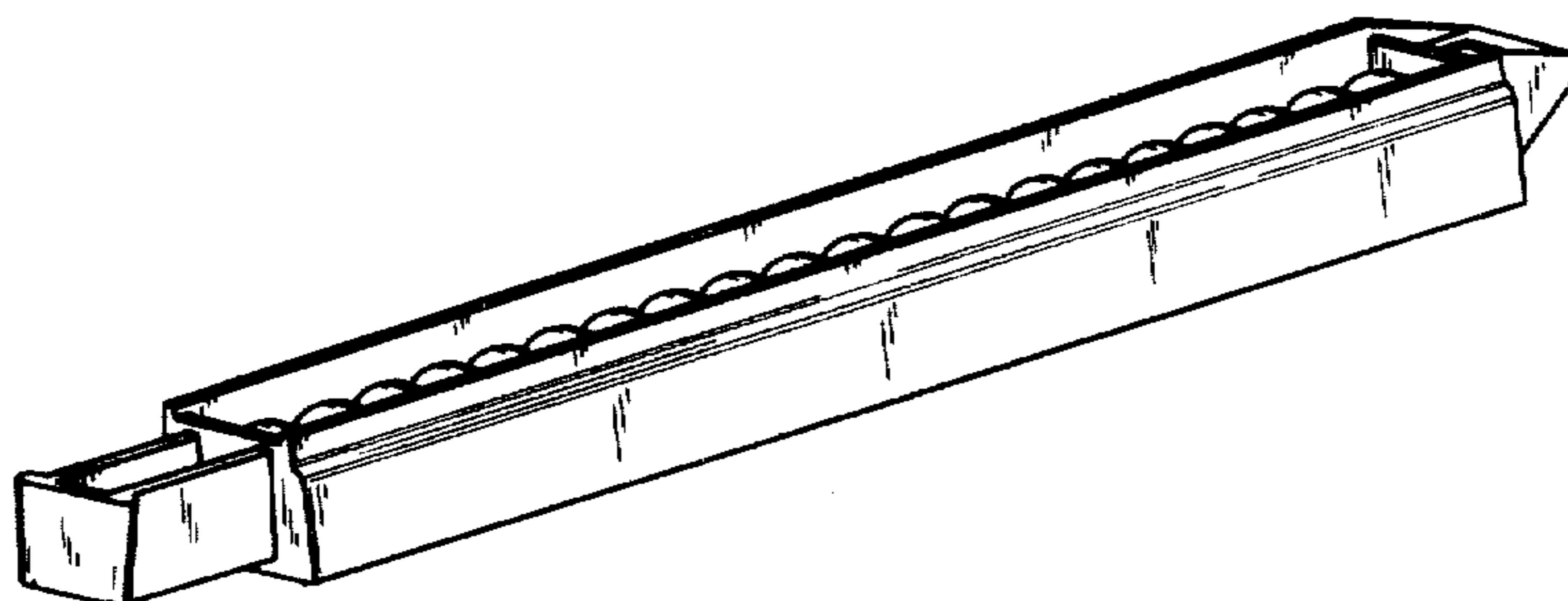
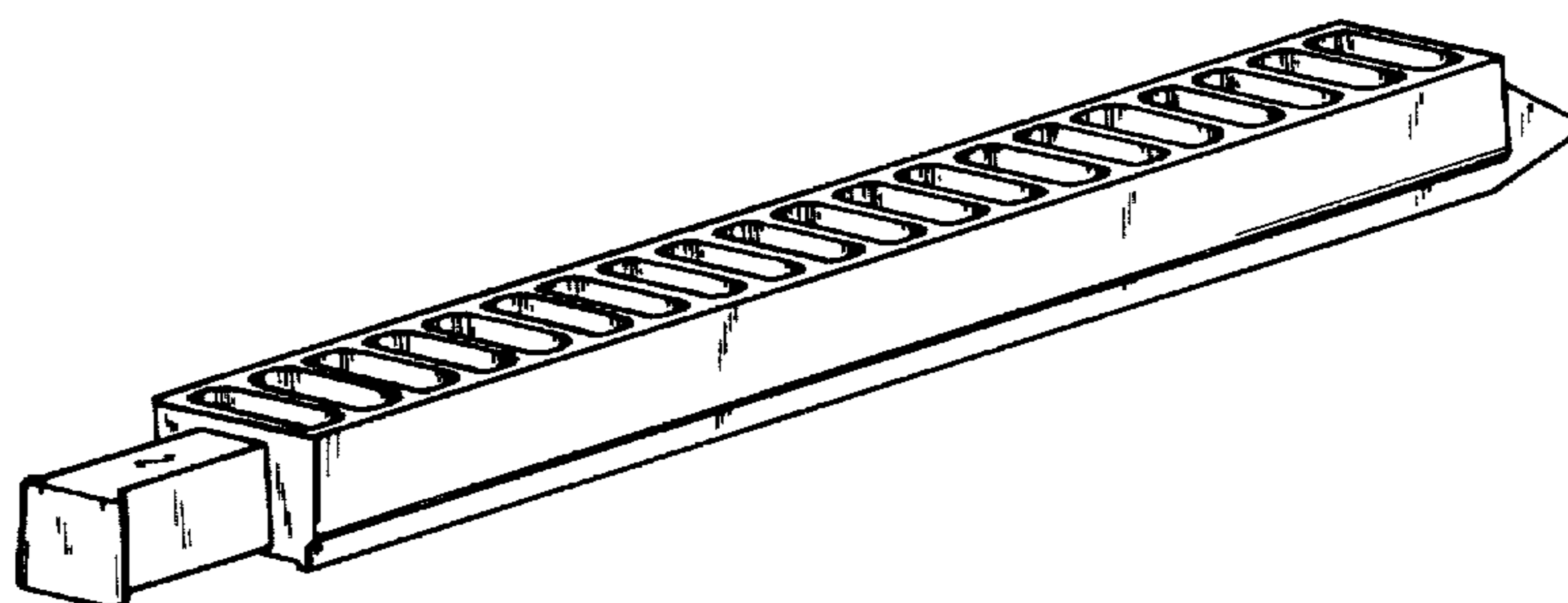
Primary Examiner—Bernard Ansher
Attorney, Agent, or Firm—John J. McDonnell; Robert L. Niblack

[57] CLAIM

The ornamental design for a multiple cuvette assembly, substantially as shown and described.

DESCRIPTION

FIG. 1 is a top perspective view of a multiple cuvette assembly, showing my new design;
FIG. 2 is a bottom perspective view thereof;
FIG. 3 is a right-side elevation view thereof;
FIG. 4 is a front-end elevation view thereof;
FIG. 5 is a rear-end elevation view thereof;
FIG. 6 is a left-side elevation view thereof;
FIG. 7 is a bottom plan view thereof;
FIG. 8 is a top plan view thereof; and
FIG. 9 is a cross-sectional view along lines 9-9 of FIG. 8 illustrating the "U" shape of the cuvettes in the assembly.



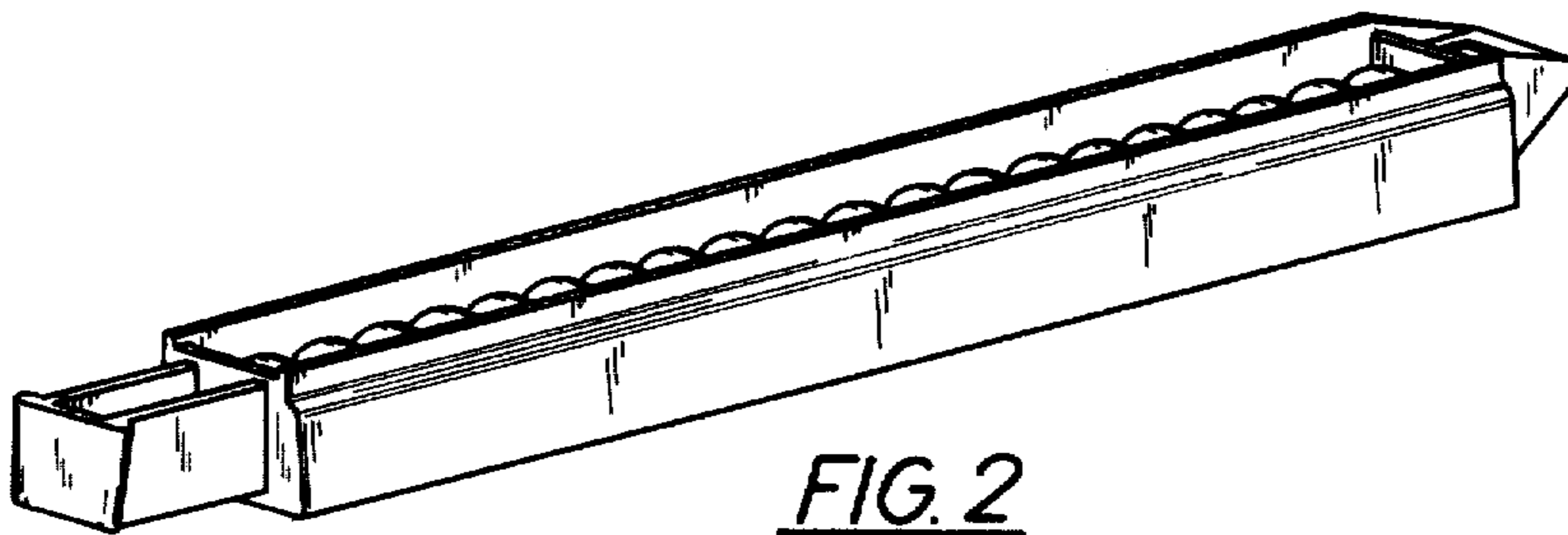
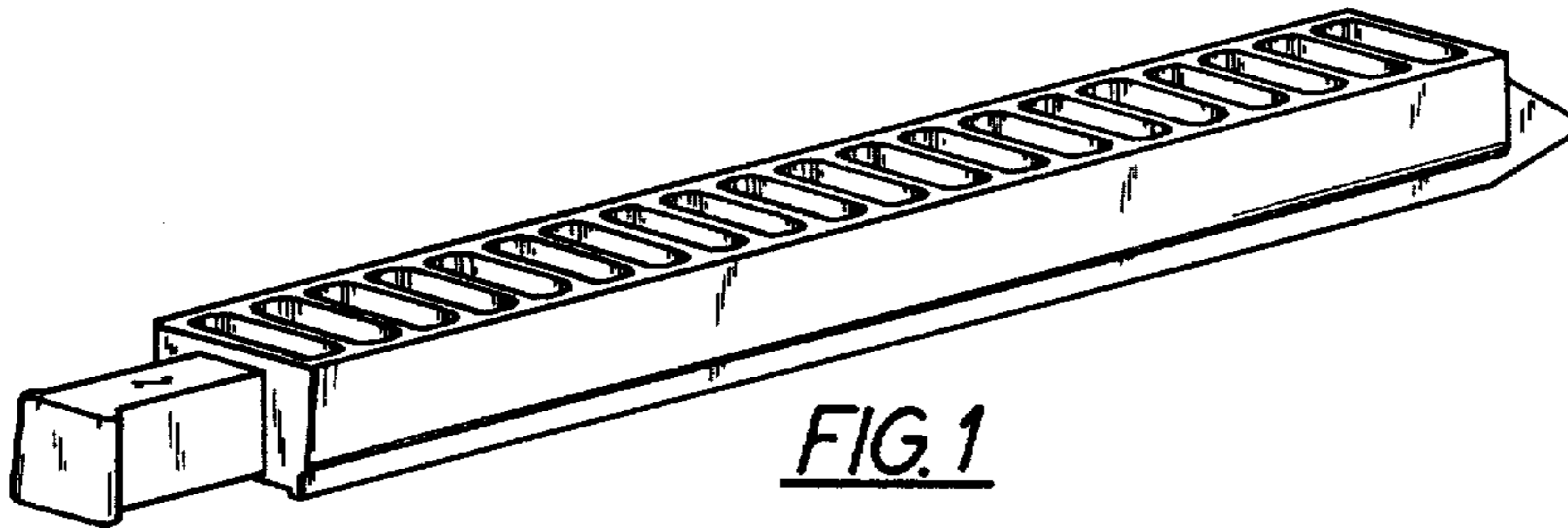




FIG. 9



FIG. 8



FIG. 5

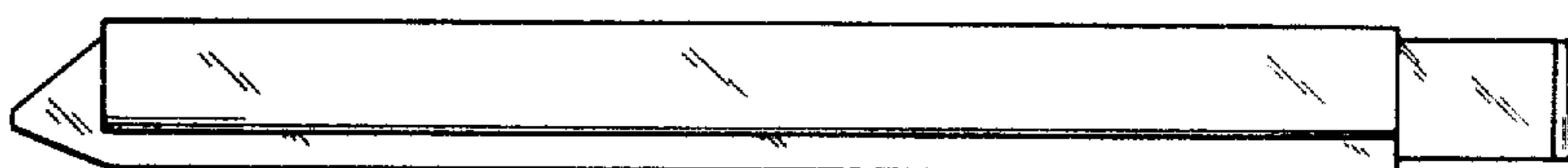


FIG. 6

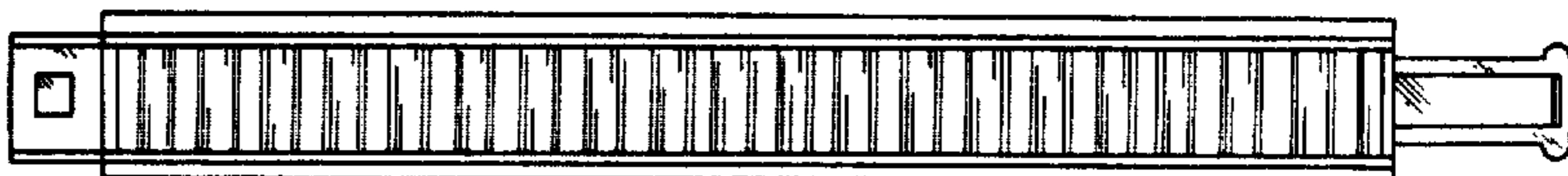


FIG. 7