

[54] PORTABLE ELECTRIC HEATER

[75] Inventors: Donald L. Townsend; Rex L. Notbohm, both of Columbia, Mo.

[73] Assignee: Toastmaster, Inc., Columbia, Mo.

[**] Term: 14 Years

[21] Appl. No.: 40,887

[22] Filed: May 21, 1979

[51] Int. Cl. D23-03

[52] U.S. Cl. D23/122

[58] Field of Search D23/122, 123, 124, 112, D23/113, 114, 115; 219/366, 367, 368, 369, 370, 377

[56] References Cited

U.S. PATENT DOCUMENTS

- D. 196,408 9/1963 Leighton D23/113
- D. 246,254 11/1977 Schade D23/122

OTHER PUBLICATIONS

Domestic Engineering-Jul. 1953 p. 133-Modine Cabinet Unit Type Ft.

Primary Examiner-Catherine E. Kemper
Attorney, Agent, or Firm-Lowe, Kokjer, Kircher, Wharton & Bowman

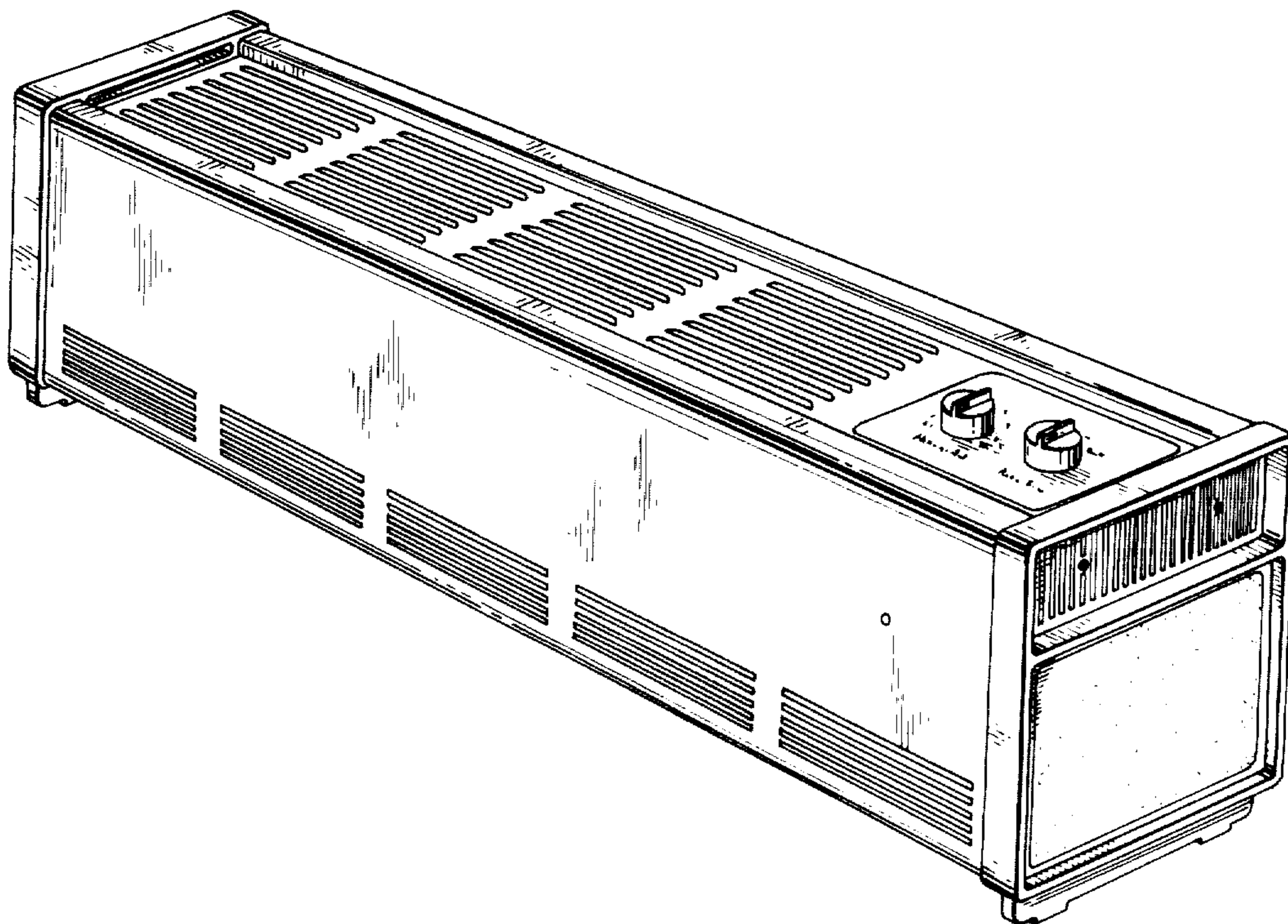
[57] CLAIM

The ornamental design for a portable electric heater, substantially as shown and described.

DESCRIPTION

FIG. 1 is a top front perspective view of a portable electric heater showing our new design; FIG. 2 is a side elevational view thereof; FIG. 3 is a top plan view thereof; and FIG. 4 is a rear elevational view thereof.

The conventional electrical cord has been shown fragmentary in FIGS. 2 and 4 for ease of illustration.



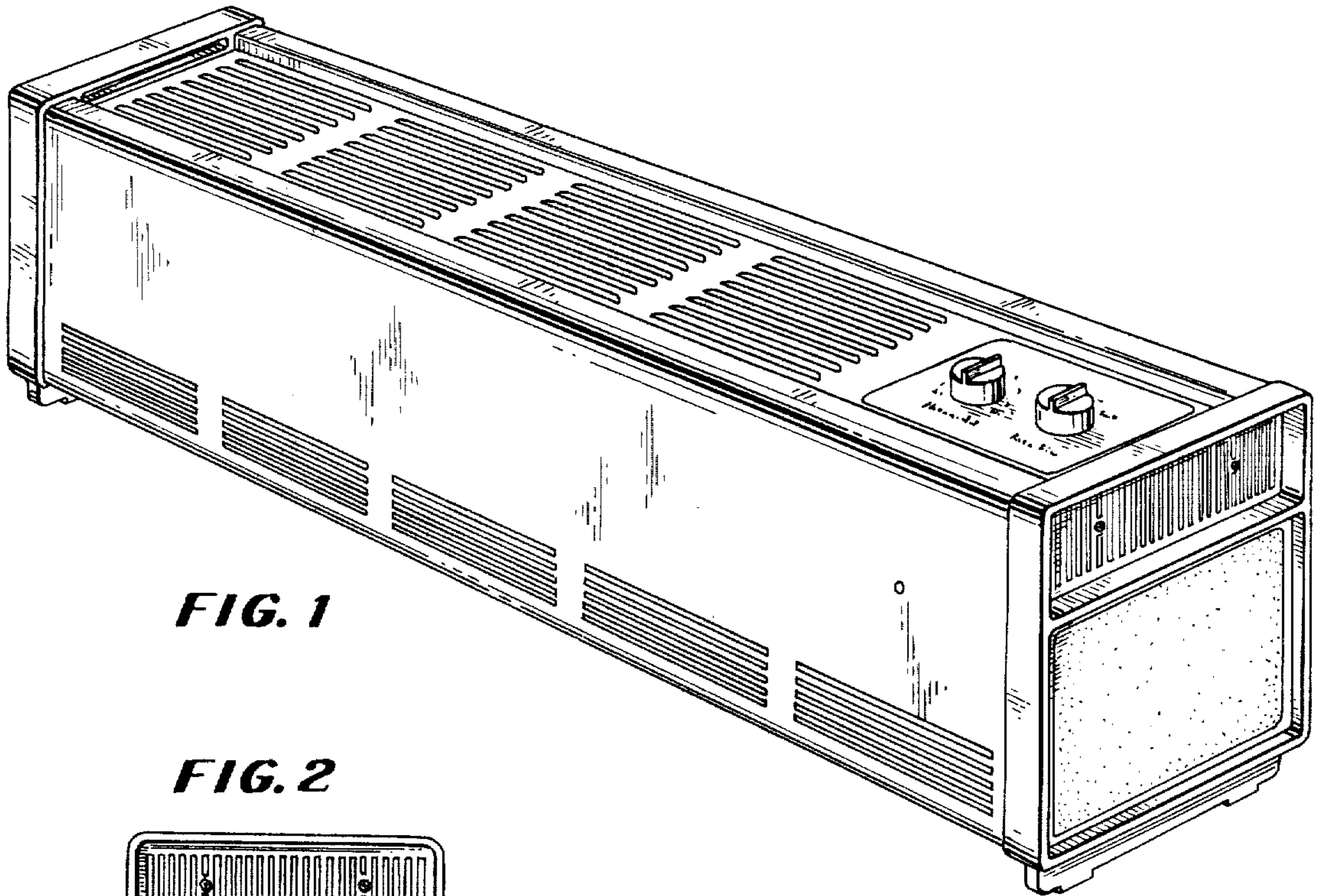


FIG. 1

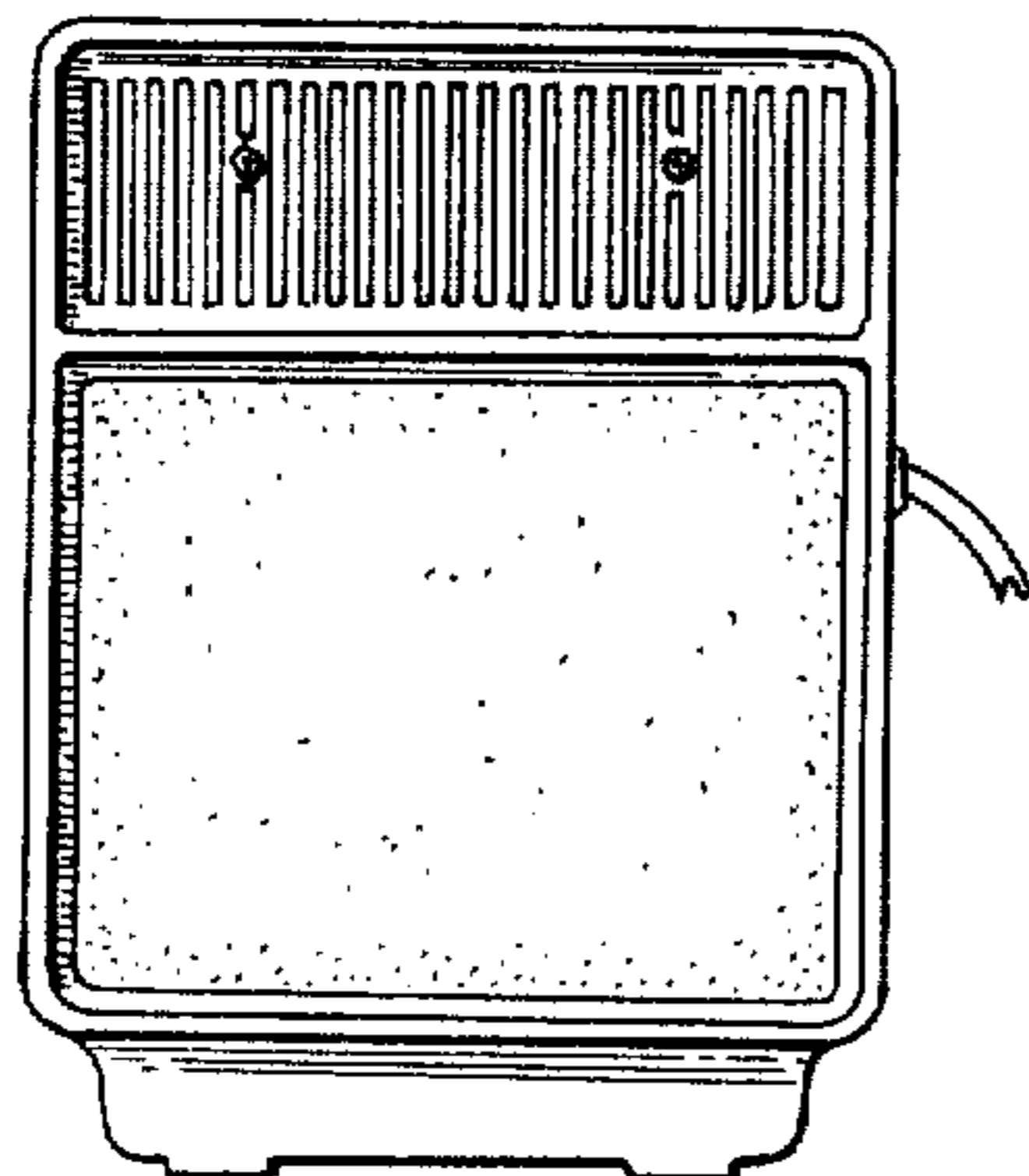


FIG. 2

FIG. 3

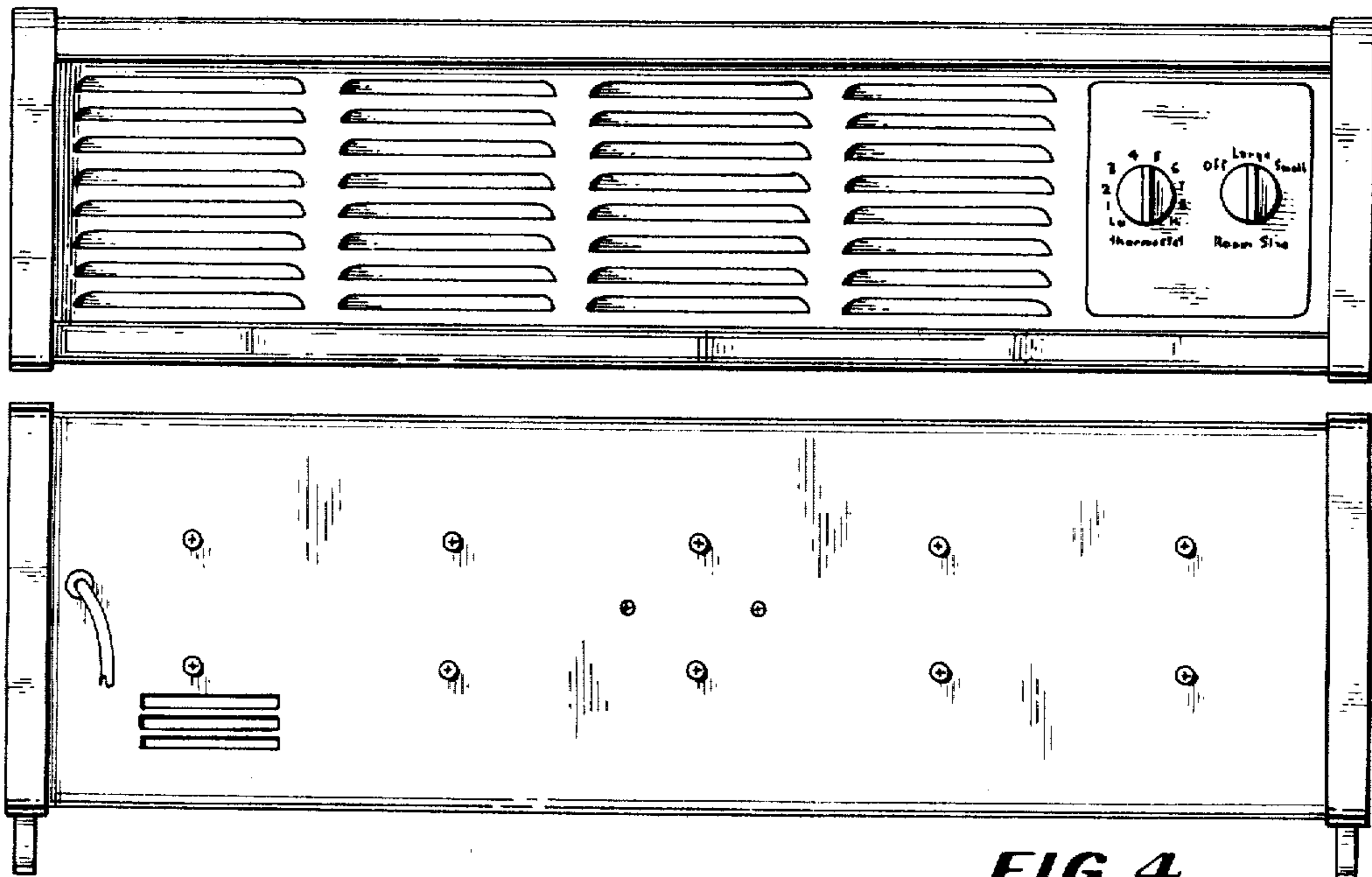


FIG. 4