

[54] **STOOL FOR INVALIDS OR THE LIKE**
 [76] Inventor: **Thomas P. Hurley**, 180 Hastings
 Parade, North Bondi, New South
 Wales 2026, Australia

[**] Term: **14 Years**

[21] Appl. No.: **66,877**

[22] Filed: **Aug. 15, 1979**

[30] **Foreign Application Priority Data**
 Apr. 30, 1979 [AU] Australia 77710

[51] Int. Cl. **D23-02**

[52] U.S. Cl. **D23/48**

[58] **Field of Search** D23/48, 53, 69-71;
 D6/9, 10, 35, 38, 64, 78; 4/254, 483, 531, 532,
 571, 572, 578, 579, 589, 590, 654, 659

[56] **References Cited**
U.S. PATENT DOCUMENTS

- | | | | | |
|------------|--------|--------------|-------|--------|
| D. 131,137 | 1/1942 | Baumann, Sr. | | D6/35 |
| D. 234,202 | 1/1975 | Aldred | | D23/71 |
| D. 234,769 | 4/1975 | Thomas | | D23/48 |

- | | | | | |
|------------|---------|---------------|-------|---------|
| D. 236,345 | 8/1975 | Thomas | | D23/48 |
| 2,607,926 | 8/1952 | DePuy | | 4/254 |
| 3,047,884 | 8/1962 | Grondona | | 4/254 |
| 3,512,187 | 5/1970 | Thomas et al. | | 4/254 |
| 3,795,923 | 3/1974 | Thomas | | 4/483 |
| 3,829,908 | 8/1974 | Thomas | | 4/483 |
| 3,854,773 | 12/1974 | Thomas | | 4/254 X |

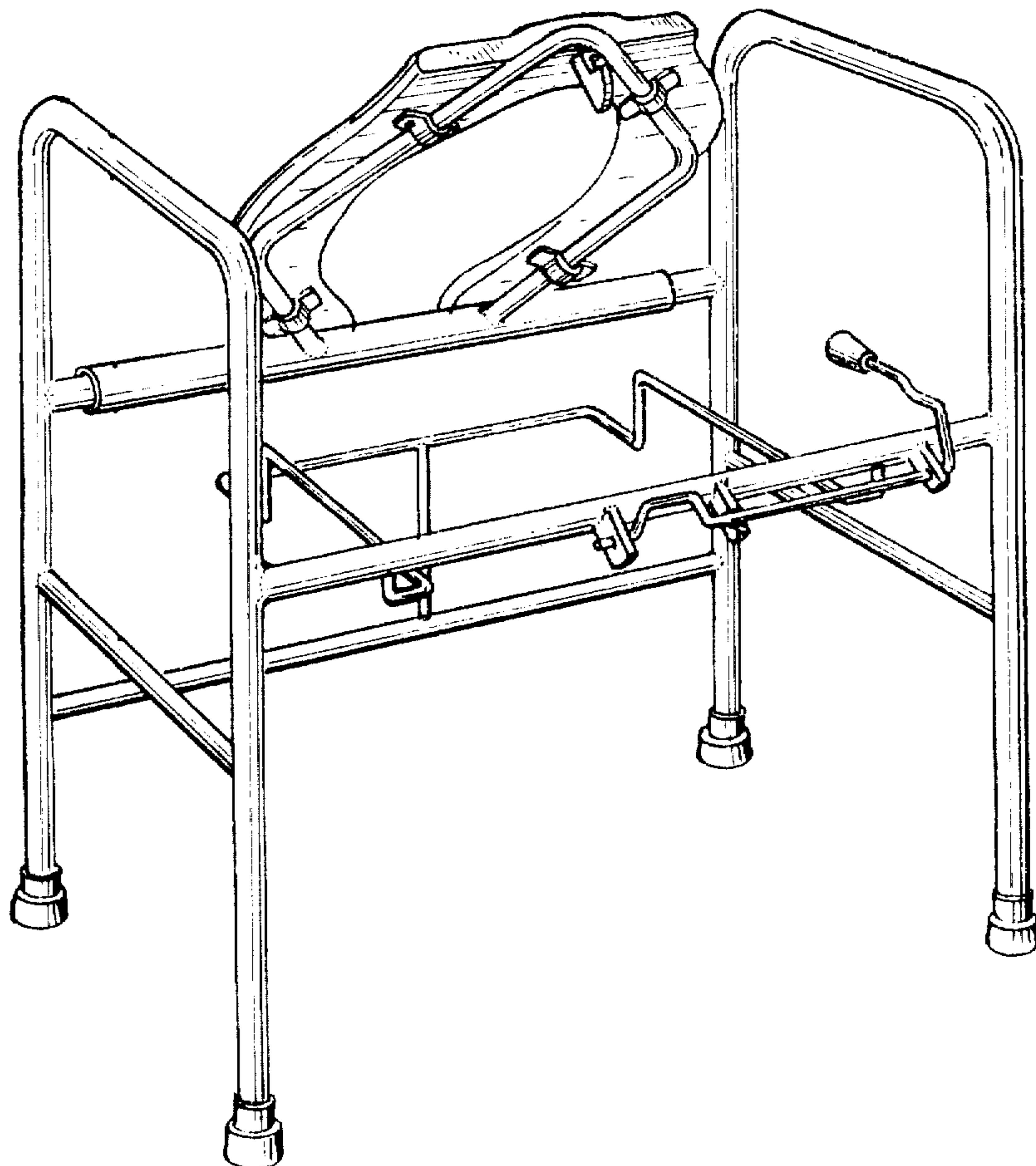
Primary Examiner—James R. Largen
Attorney, Agent, or Firm—Morgan, Finnegan, Pine,
 Foley & Lee

[57] **CLAIM**

The ornamental design for a stool for invalids or the like, as shown.

DESCRIPTION

FIG. 1 is a perspective view taken from the top, rear and right side of a stool for invalids or the like showing my new design, with the seat in a raised position;
 FIG. 2 is a top plan view thereof showing the seat in its down position;
 FIG. 3 is a bottom plan view of FIG. 2;
 FIG. 4 is a front elevational view of FIG. 2;
 FIG. 5 is a rear elevational view of FIG. 2; and
 FIG. 6 is a left side elevational view of FIG. 2.



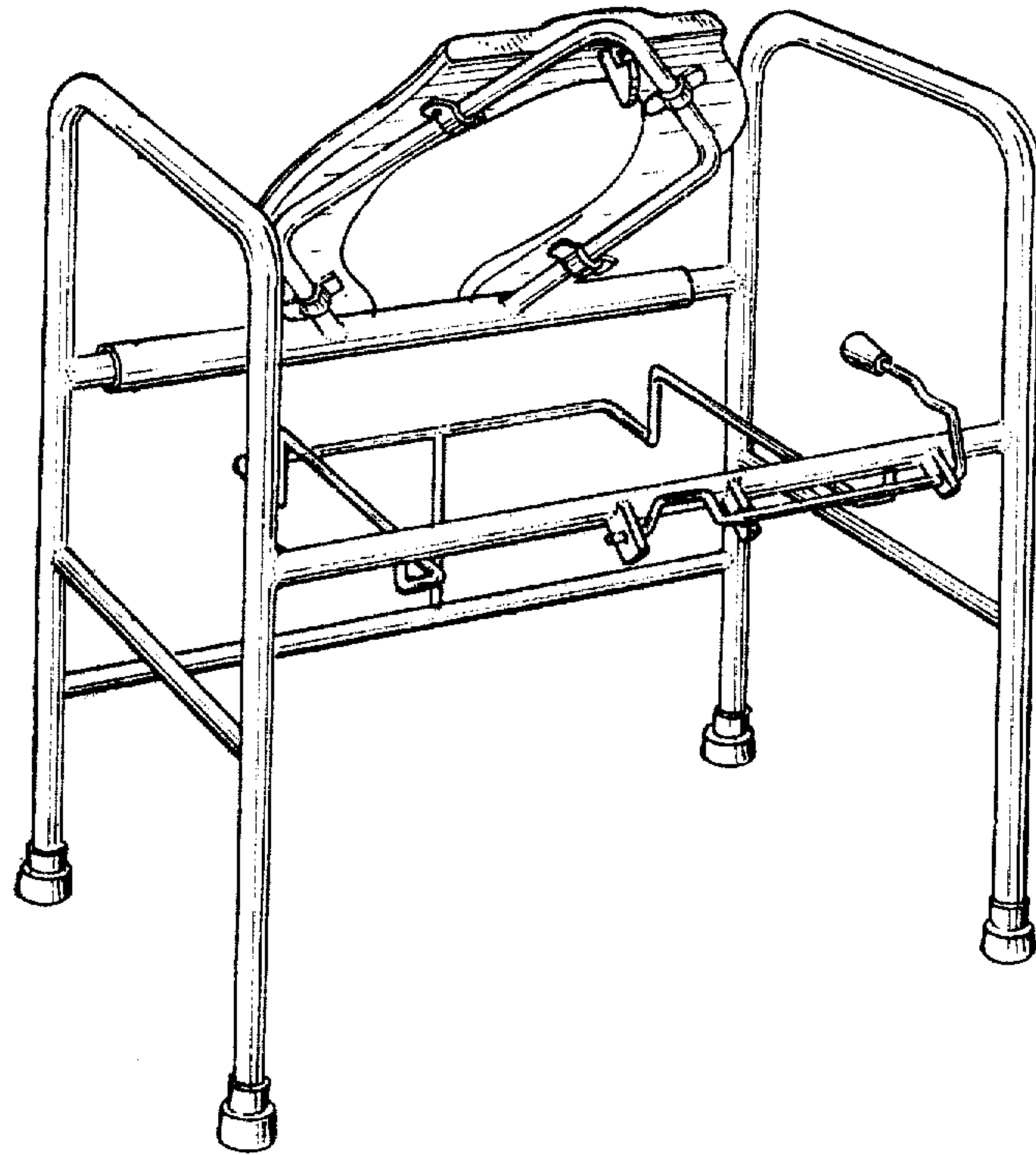


fig. 1

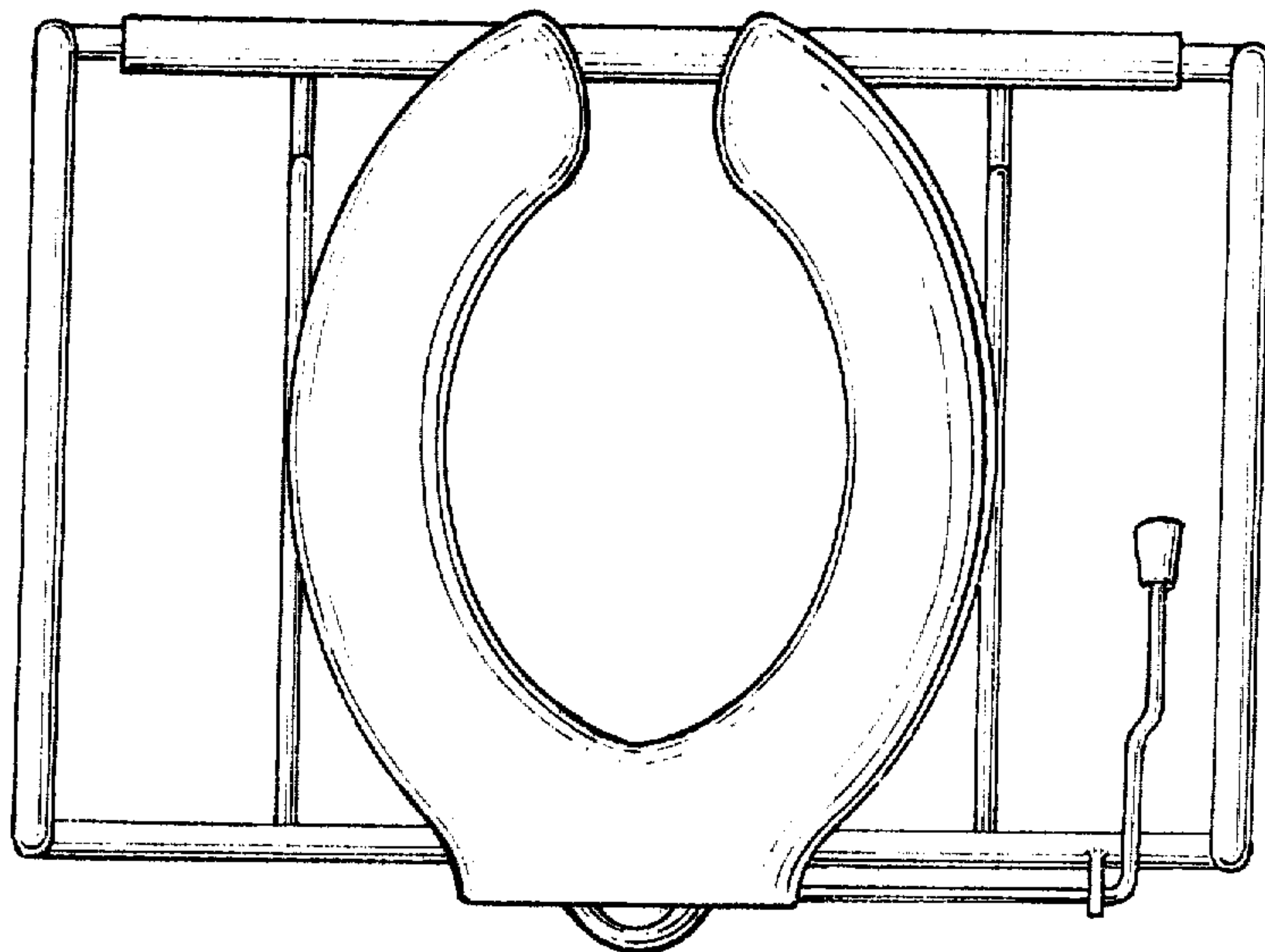


fig. 2

fig.3

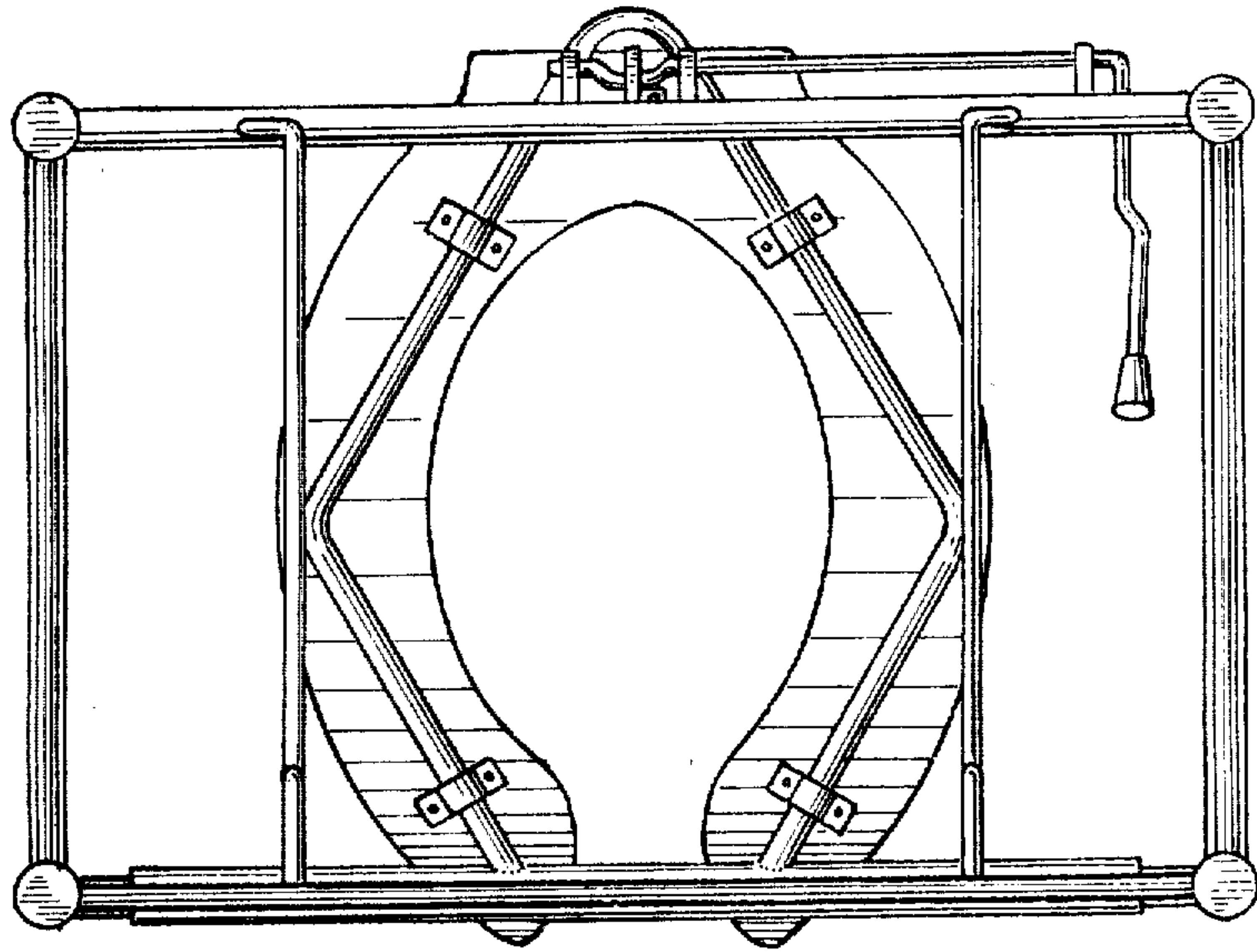


fig.4

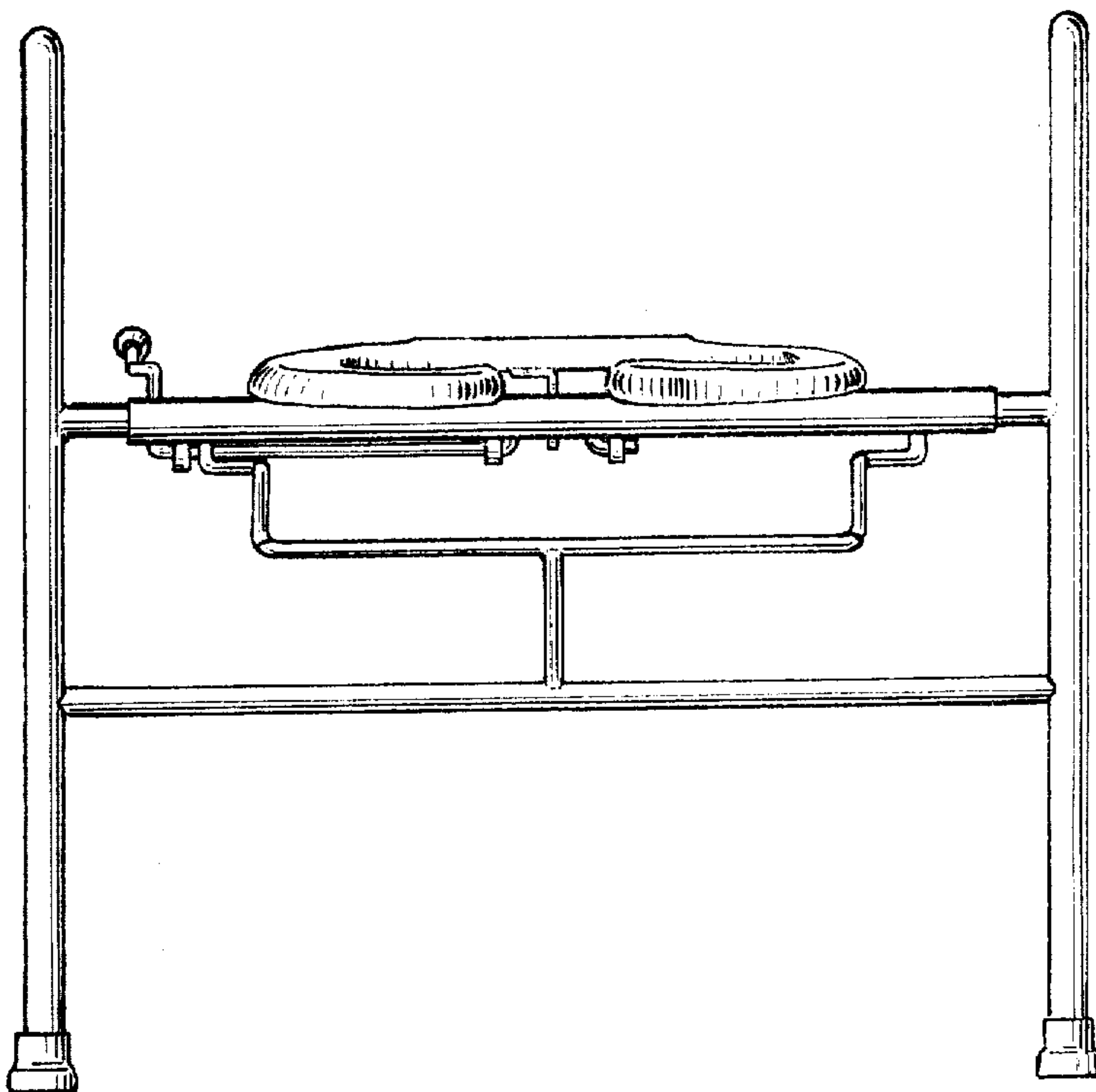


fig.5

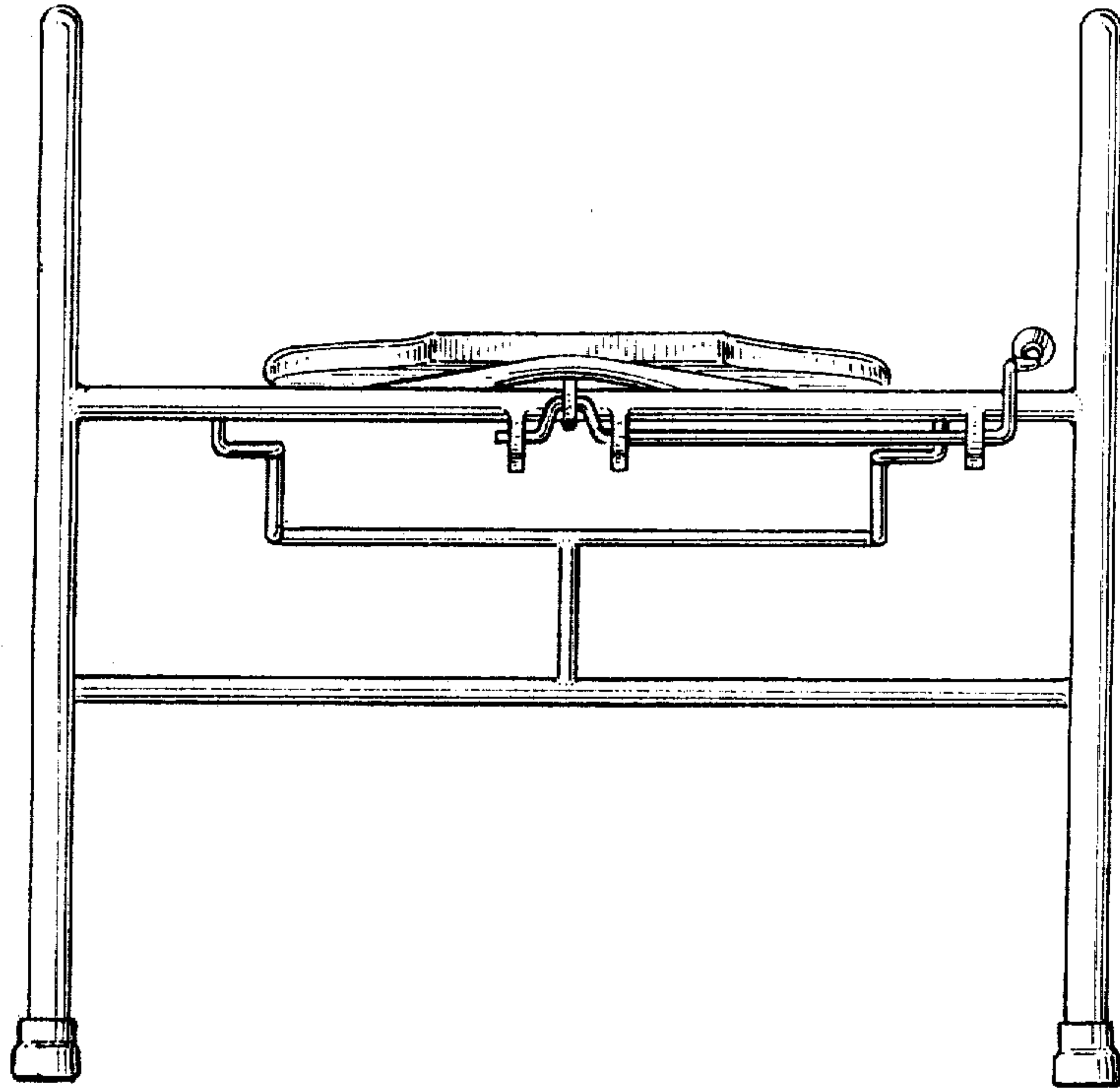


fig.6

