

[54] COMBINED BATHTUB DRAIN COVER AND HANDLE

[75] Inventors: Gary A. Fleischmann, Sheboygan, Wis.; Lawrence C. Peabody, Rindge, N.H.

[73] Assignee: Kohler Co., Kohler, Wis.

[\*\*] Term: 14 Years

[21] Appl. No.: 138,833

[22] Filed: Apr. 10, 1980

[51] Int. Cl. .... D23-01

[52] U.S. Cl. .... D23/31; D8/307

[58] Field of Search .... D23/23-33, D23/41, 42; D6/86, 90, 93, 102, 120; D8/307; 16/110, 121

[56] References Cited

U.S. PATENT DOCUMENTS

D. 190,314	5/1961	Nelson	.....	D23/42
D. 234,953	4/1975	Martin	.....	D23/28
D. 235,098	5/1975	Doman	.....	D23/29
D. 241,440	9/1976	Doman	.....	D23/31

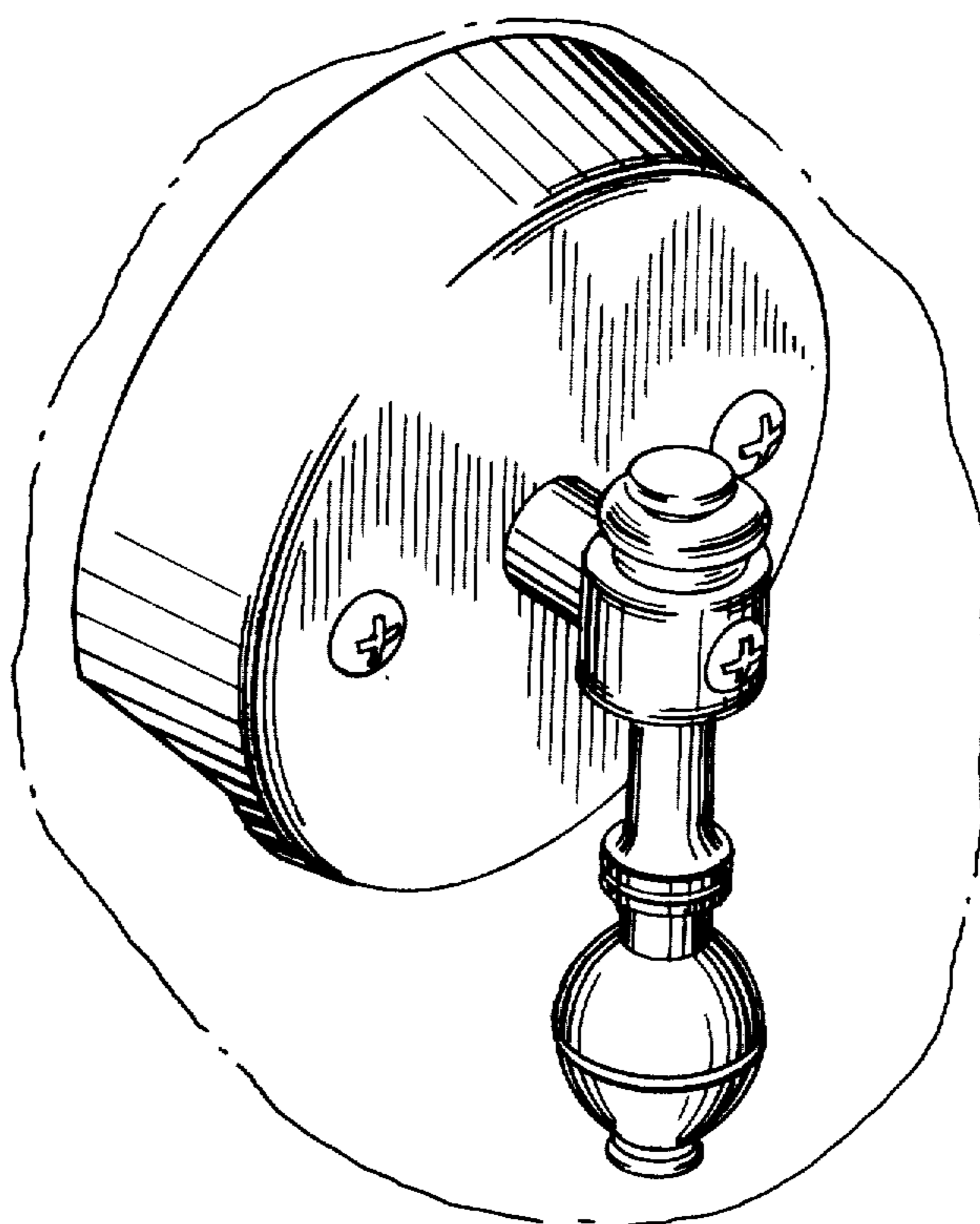
Primary Examiner—James R. Largen  
Attorney, Agent, or Firm—Quarles & Brady

[57] CLAIM

The ornamental design for a combined bathtub drain cover and handle, as shown and described.

DESCRIPTION

FIG. 1 is a perspective view of a combined bathtub drain cover and handle showing our new design; FIG. 2 is a top plan view of the combined bathtub drain cover and handle shown in FIG. 1; FIG. 3 is a side elevational view thereof; FIG. 4 is a front elevational view thereof; and FIG. 5 is a bottom plan view thereof. The fragmentary broken line representation of a bathtub wall in FIG. 1 is for purposes of illustration only.



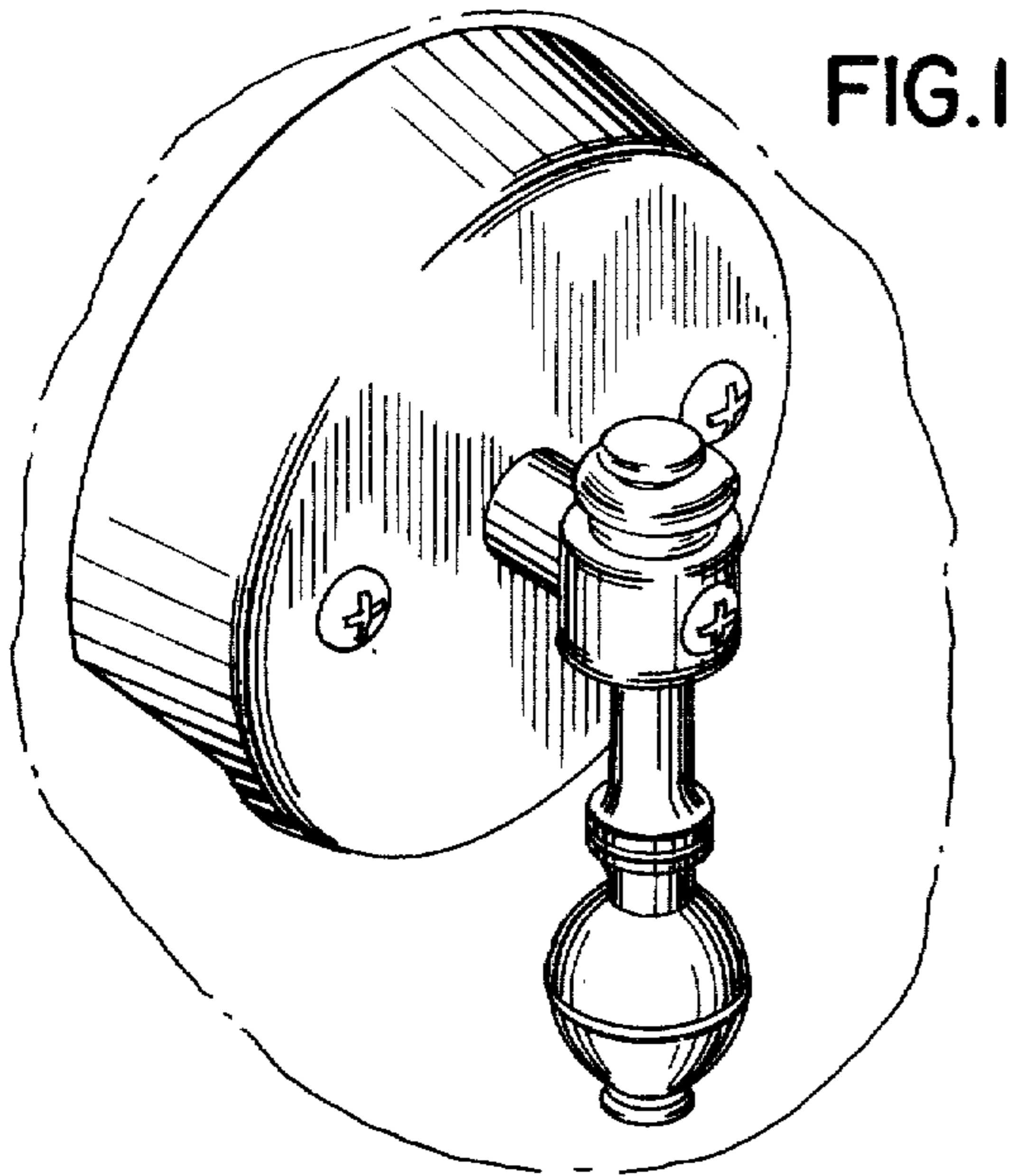


FIG. 1

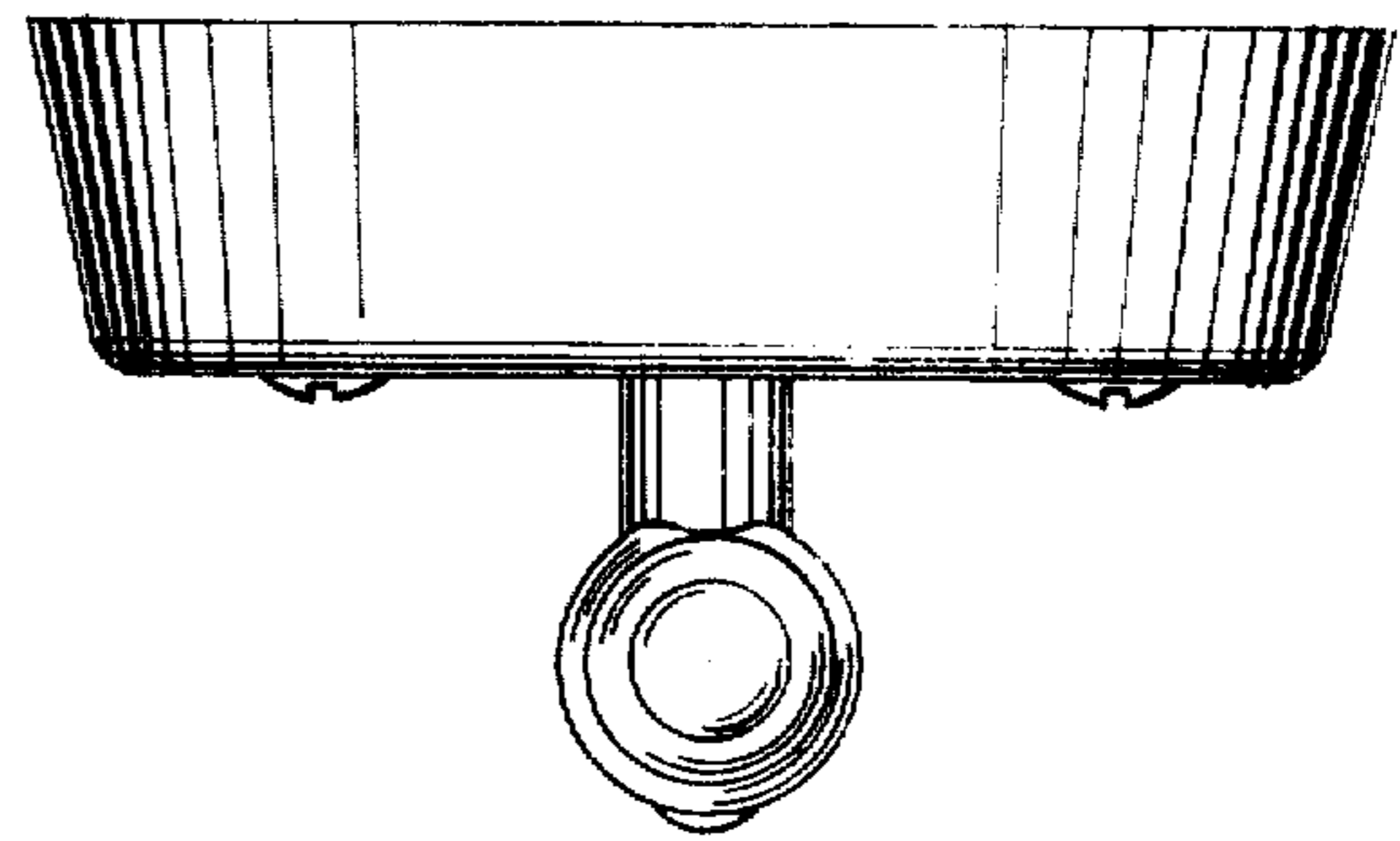


FIG. 2

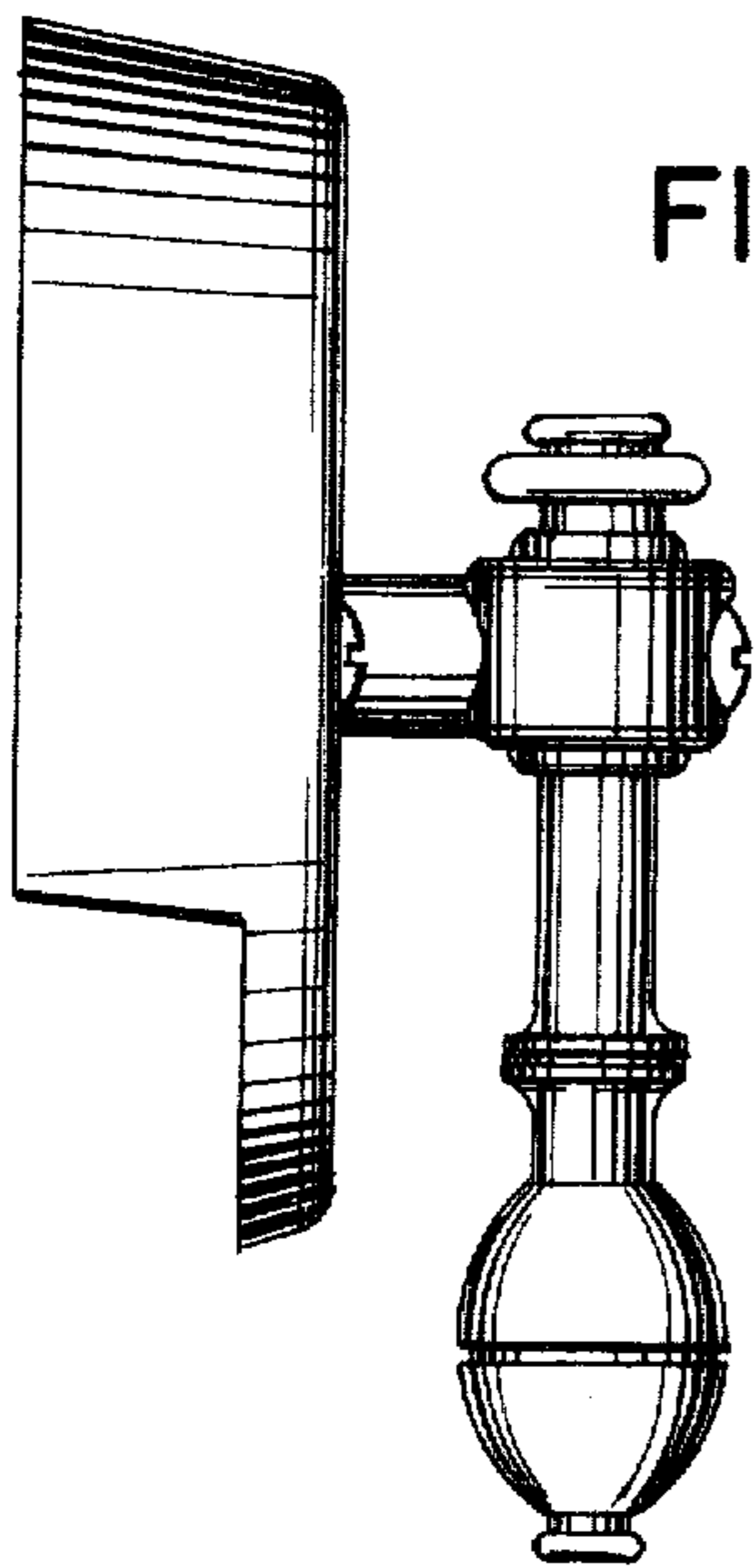


FIG. 3

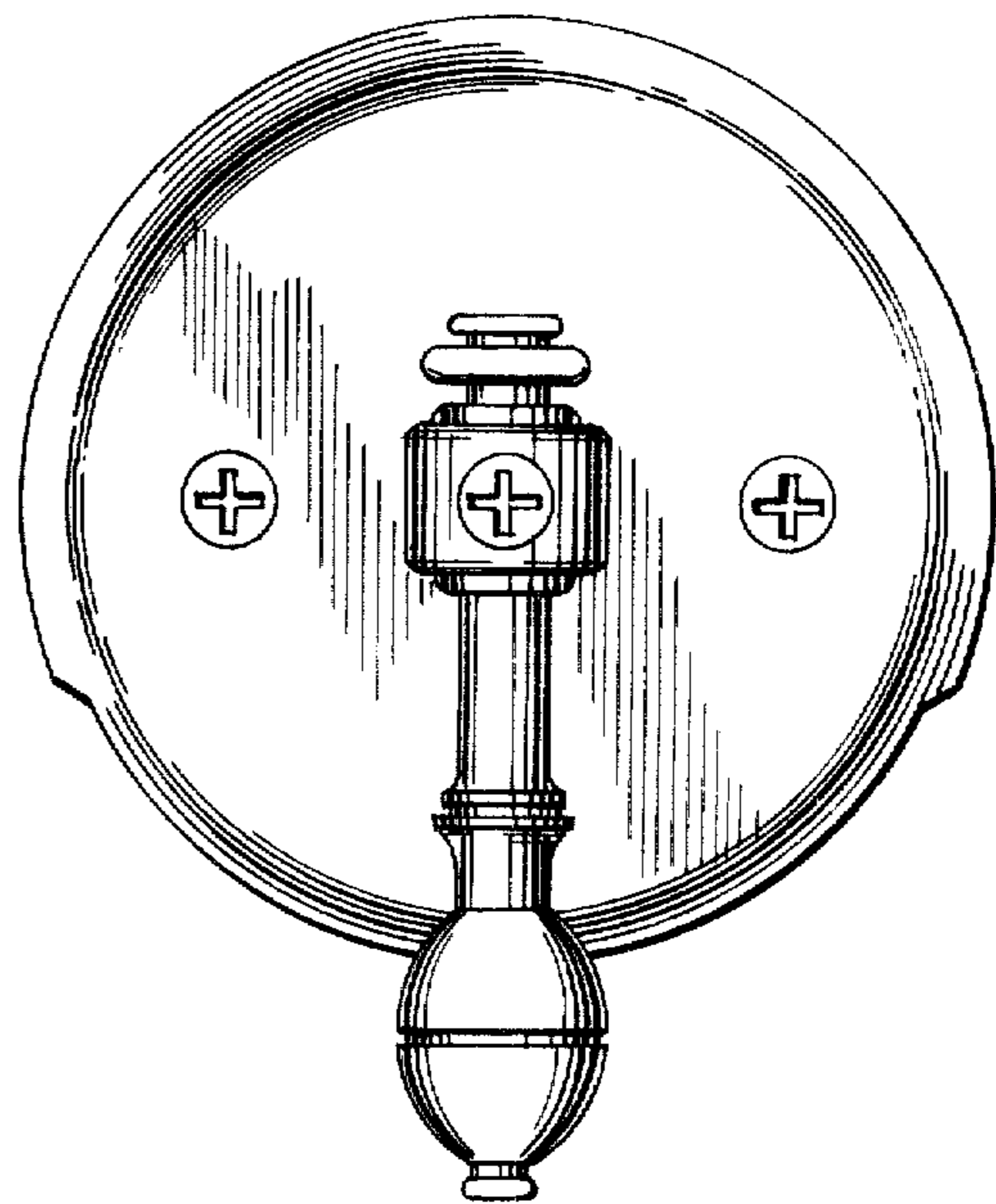


FIG. 4

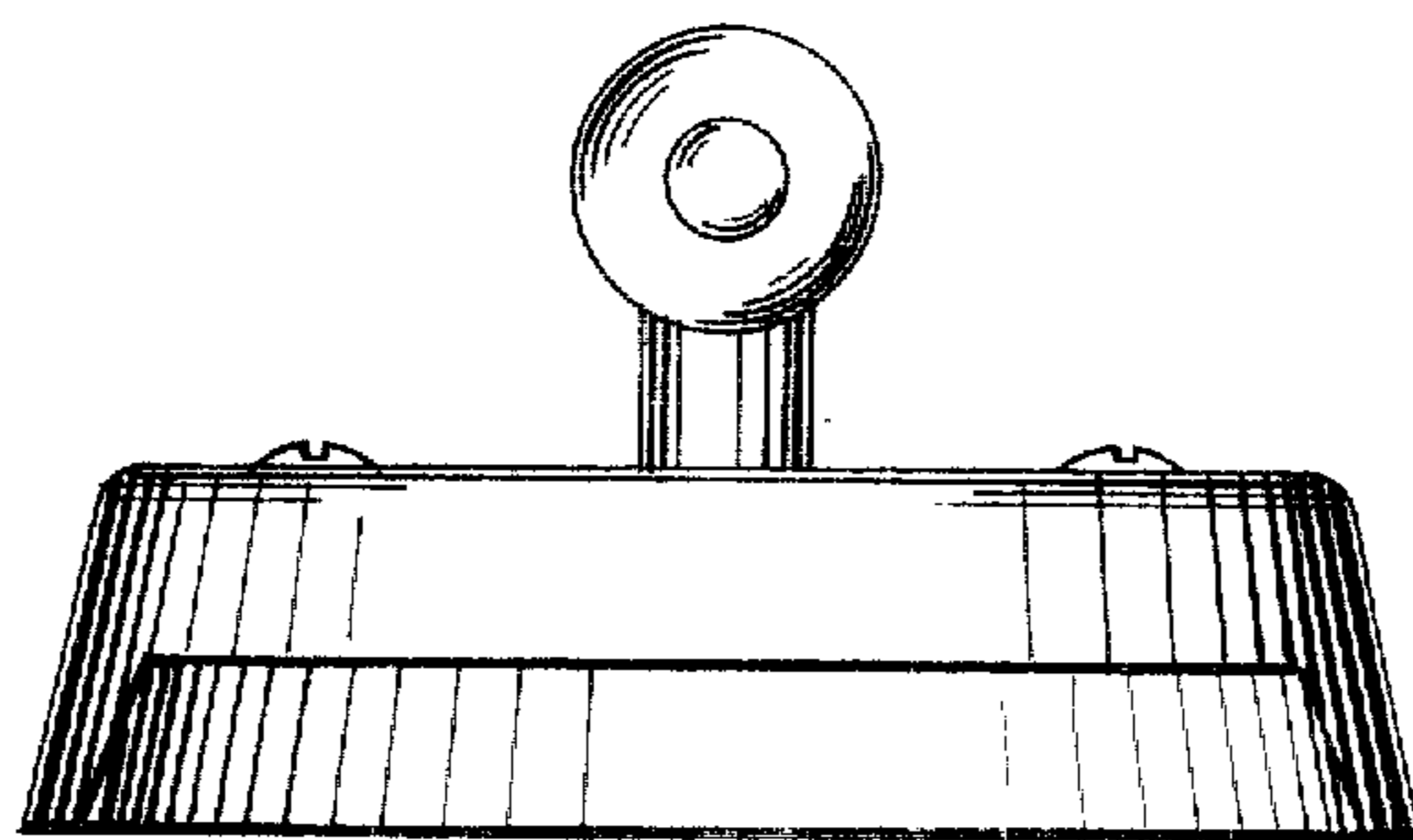


FIG. 5