

[54] BATHROOM HANDLE OR THE LIKE

[56] References Cited

[75] Inventors: Gary A. Fleischmann, Sheboygan, Wis.; Lawrence C. Peabody, Rindge, N.H.

U.S. PATENT DOCUMENTS

- D. 234,953 4/1975 Martin D23/28
- D. 235,098 5/1975 Doman D23/29
- D. 241,440 9/1976 Doman D23/31

[73] Assignee: Kohler Co., Kohler, Wis.

Primary Examiner—James R. Largen
Attorney, Agent, or Firm—Quarles & Brady

[**] Term: 14 Years

[57] CLAIM

The ornamental design for a bathroom handle or the like, as shown and described.

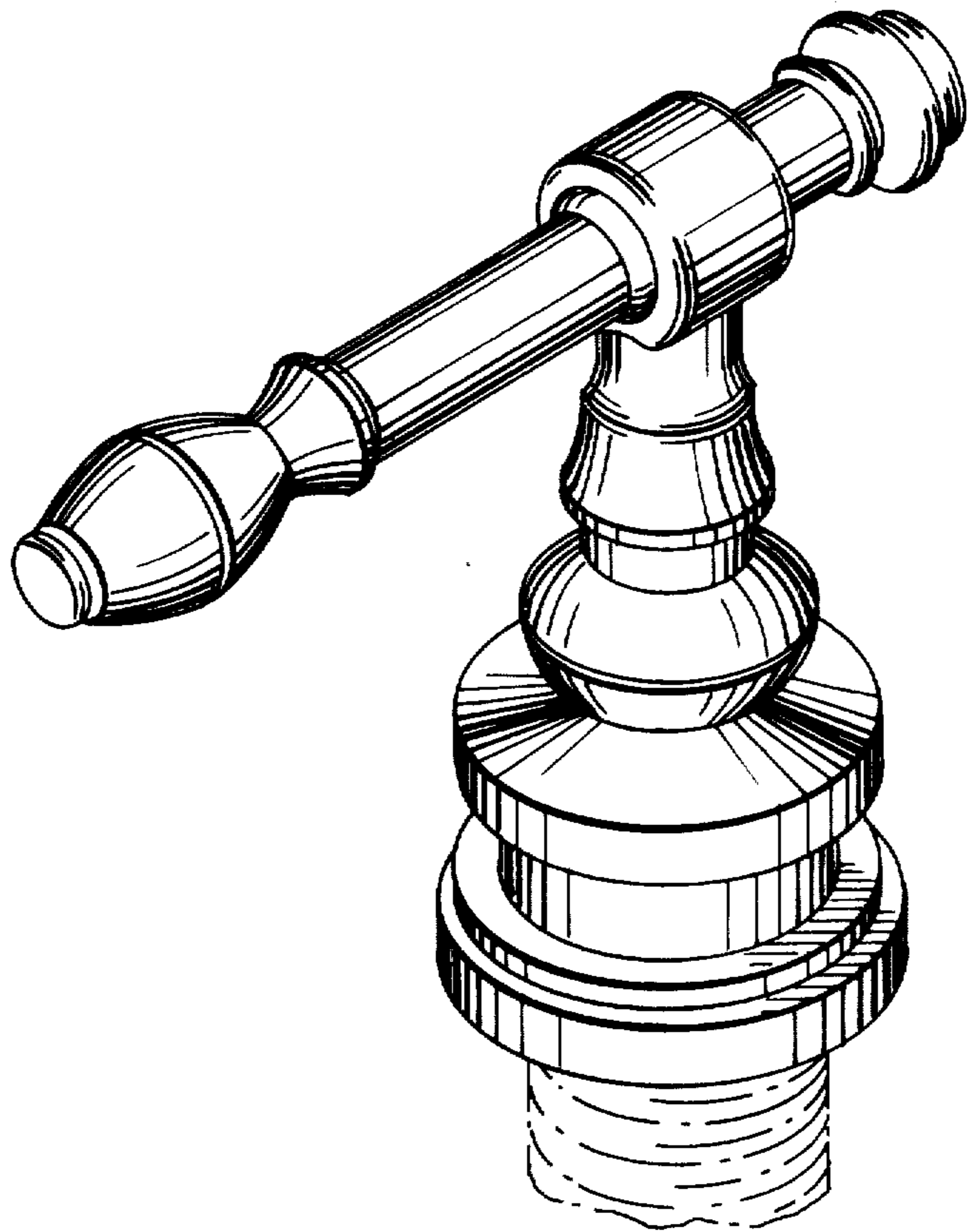
[21] Appl. No.: 138,835

DESCRIPTION

[22] Filed: Apr. 10, 1980

FIG. 1 is a perspective view of a bathroom handle or the like showing our new design; FIG. 2 is a top plan view thereof; FIG. 3 is a right side elevational view thereof; FIG. 4 is a left side elevational view thereof; and FIG. 5 is a front elevational view thereof, the rear being a mirror image of the front shown. The fragmentary broken line showing of a pipe in FIG. 1 is for purposes of illustration only.

[51] Int. Cl. D23—01
 [52] U.S. Cl. D23/29; D6/102; D6/120; D8/307
 [58] Field of Search D23/23-33; D6/86, 90, 93, 102, 120; D8/307; 16/110, 121



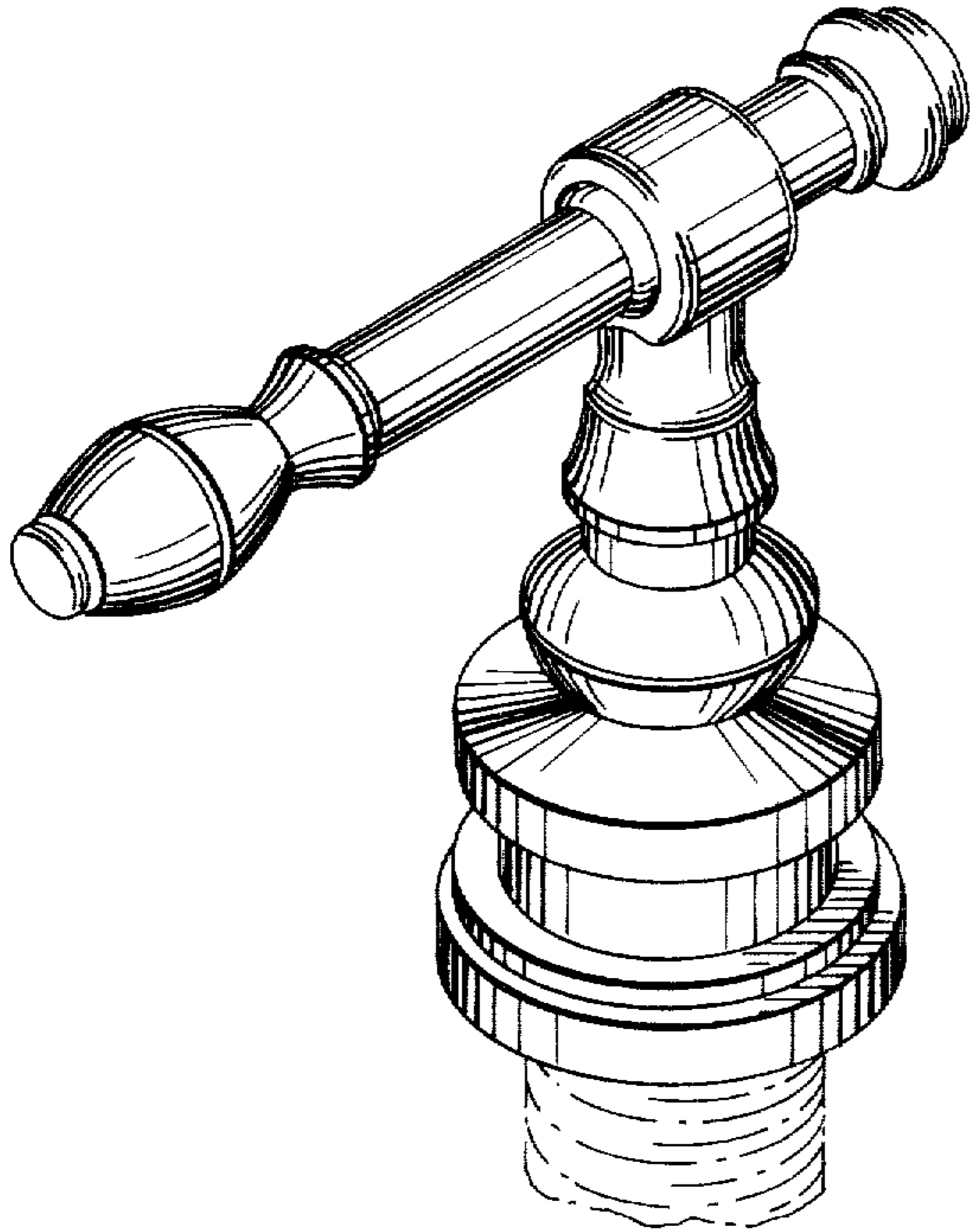


FIG. 1

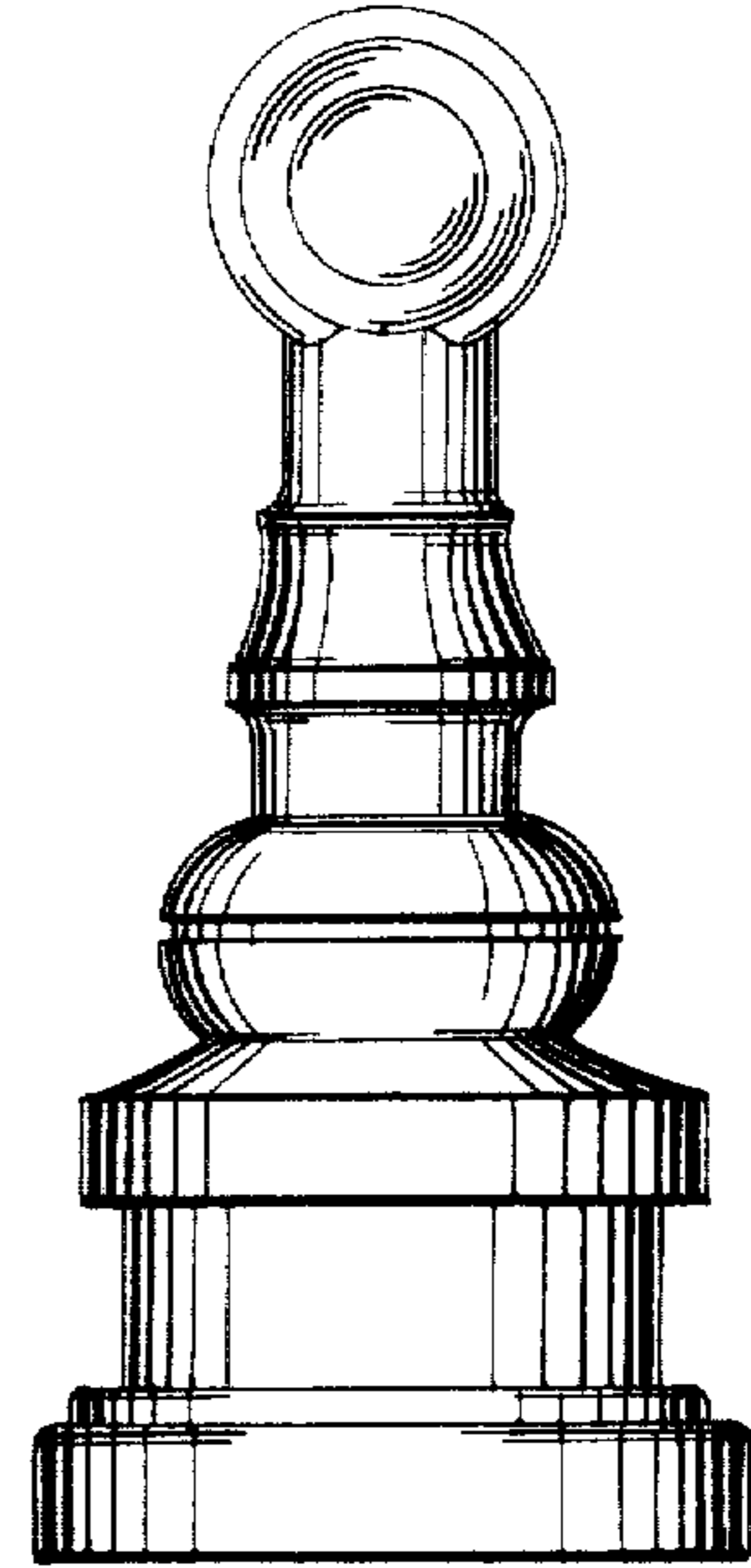


FIG. 3

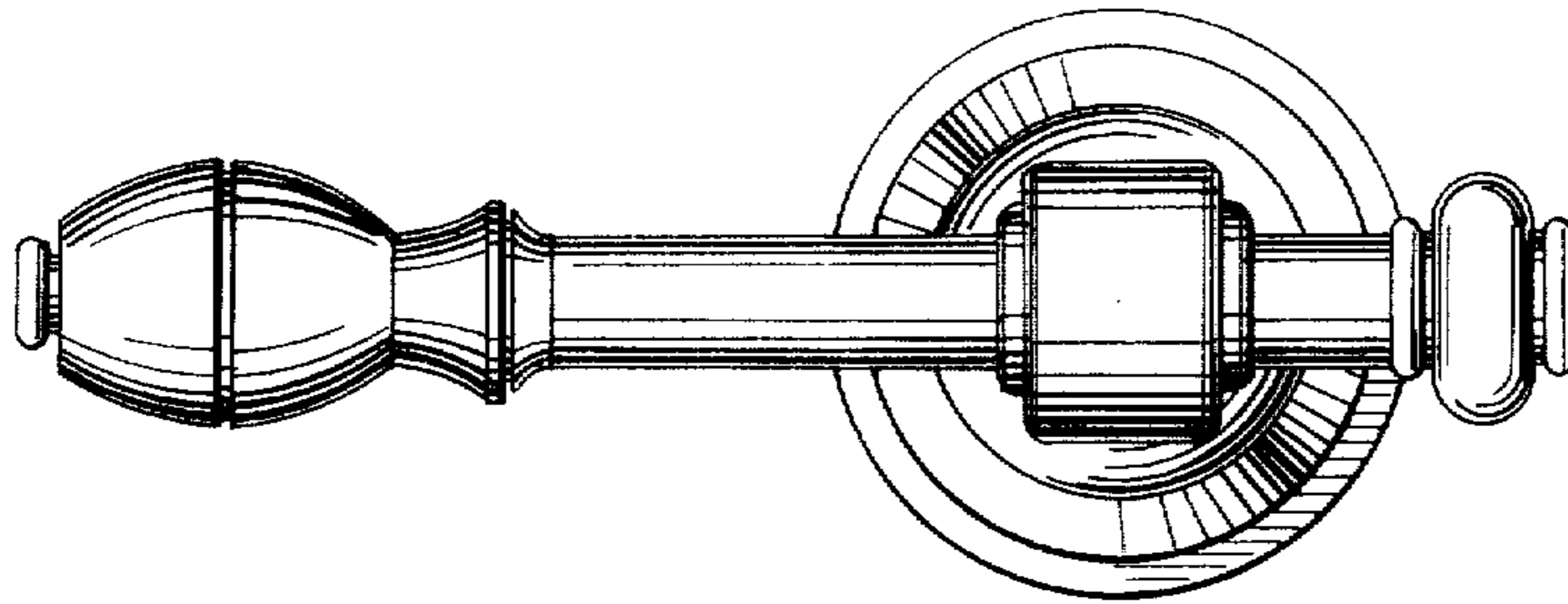


FIG. 2

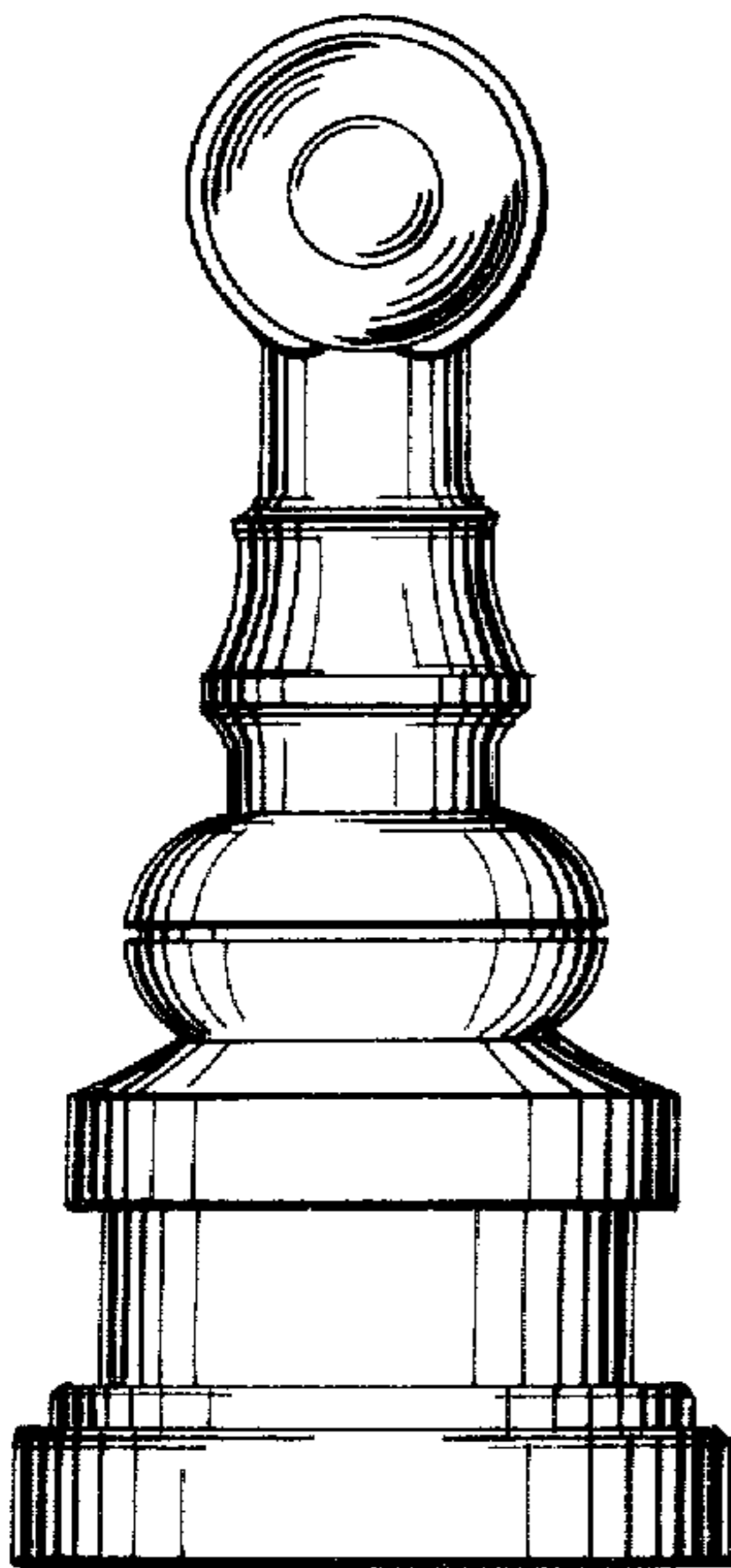


FIG. 4

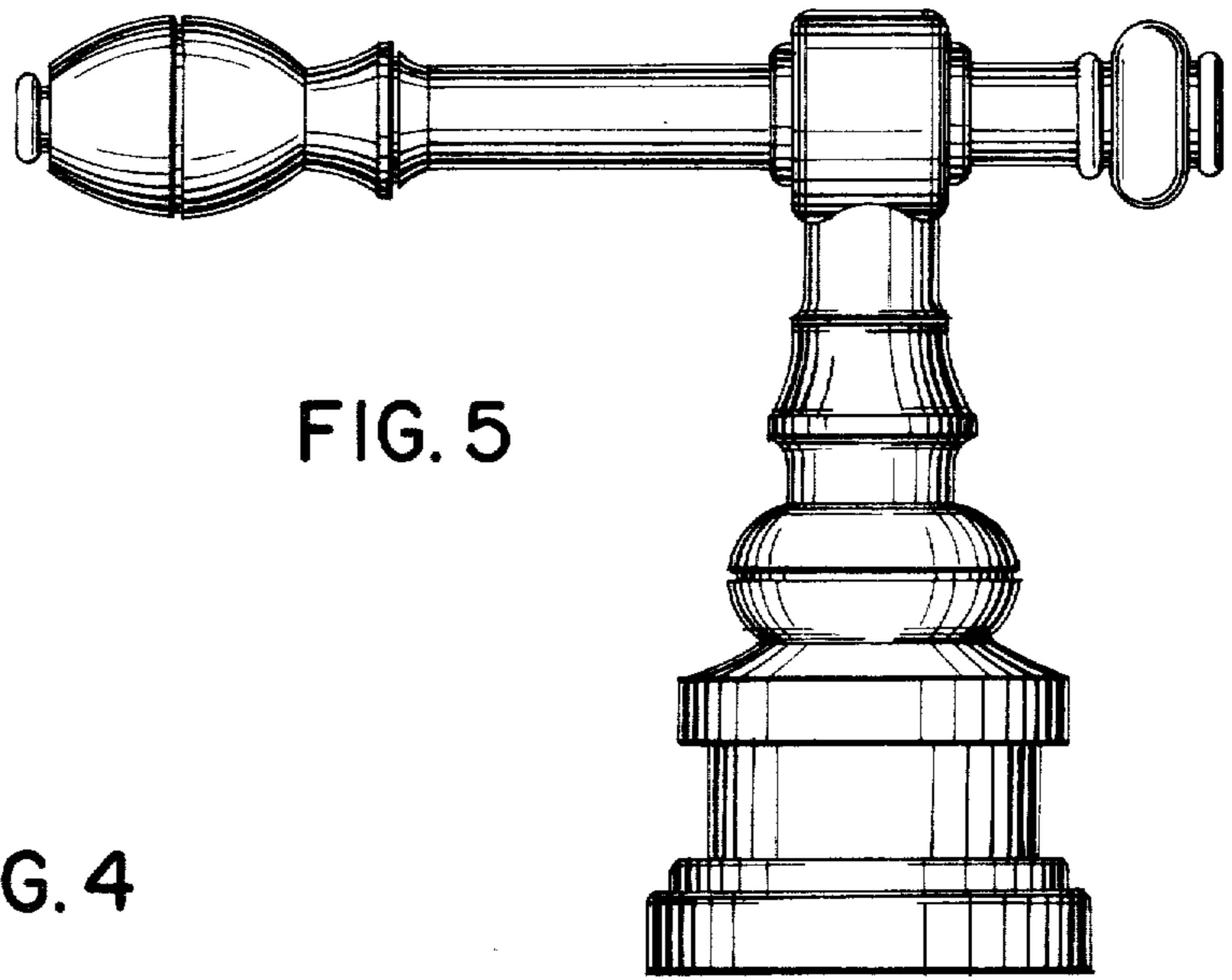


FIG. 5