

[54] ROLLER SKATE

[75] Inventor: Eike Dornseif, Radevormwald, Fed. Rep. of Germany

[73] Assignee: Dornseif Sport Gesellschaft mit beschraenkter Haftung, Radevormwald, Fed. Rep. of Germany

[**] Term: 14 Years

[21] Appl. No.: 146,175

[22] Filed: May 2, 1980

[30] Foreign Application Priority Data

Nov. 9, 1979 [DE] Fed. Rep. of Germany ... 7 MR 247

[51] Int. Cl. D21-02
[52] U.S. Cl. D21/226
[58] Field of Search D21/224, 225, 226;
280/11.12, 11.17, 11.18, 11.22, 11.23

[56] References Cited

U.S. PATENT DOCUMENTS

D. 260,161 8/1981 Spreng D21/226
3,466,763 9/1969 Levin D2/312
3,968,973 7/1976 McCormack 280/11.2

OTHER PUBLICATIONS

Sporting Goods Dealer, 1-1980, p. 292, roller skate #100, "The Rink".

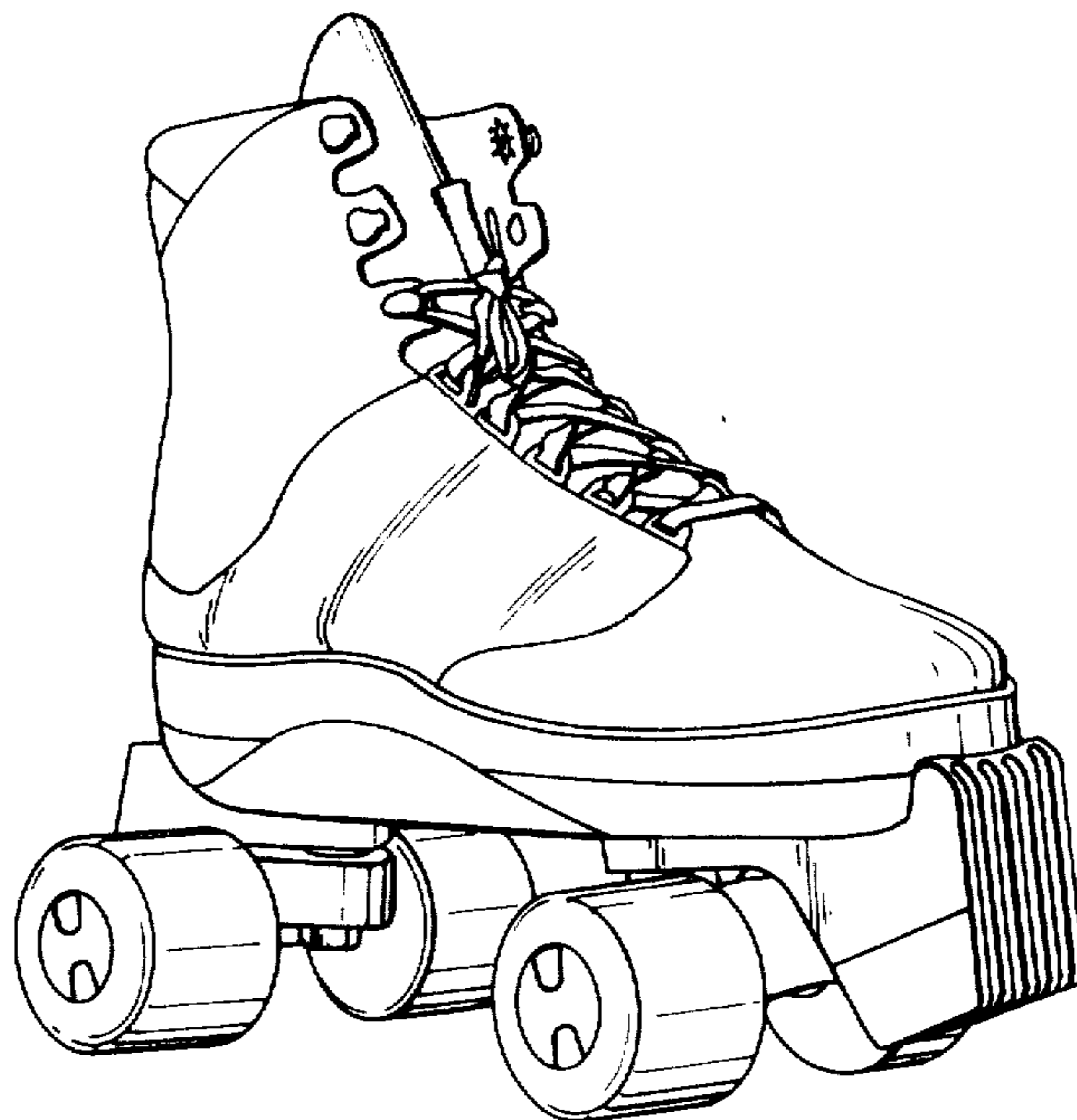
Primary Examiner—Charles A. Rademaker
Attorney, Agent, or Firm—Michael J. Striker

[57] CLAIM

The ornamental design for a roller skate, substantially as shown and described.

DESCRIPTION

FIG. 1 is a perspective view of a roller skate showing my new design;
FIG. 2 is a side perspective view thereof;
FIG. 3 is a side perspective view of the side opposite that shown in FIG. 2;
FIG. 4 is a front perspective view thereof;
FIG. 5 is a rear perspective view thereof;
FIG. 6 is a bottom plan view thereof;
FIG. 7 is a side perspective view of a modified form of the design shown in FIGS. 1 through 6;
FIG. 8 is a side perspective view thereof;
FIG. 9 is a perspective view of the side opposite that shown in FIG. 8;
FIG. 10 is a front perspective view thereof;
FIG. 11 is a rear perspective view thereof; and
FIG. 12 is a bottom plan view thereof.



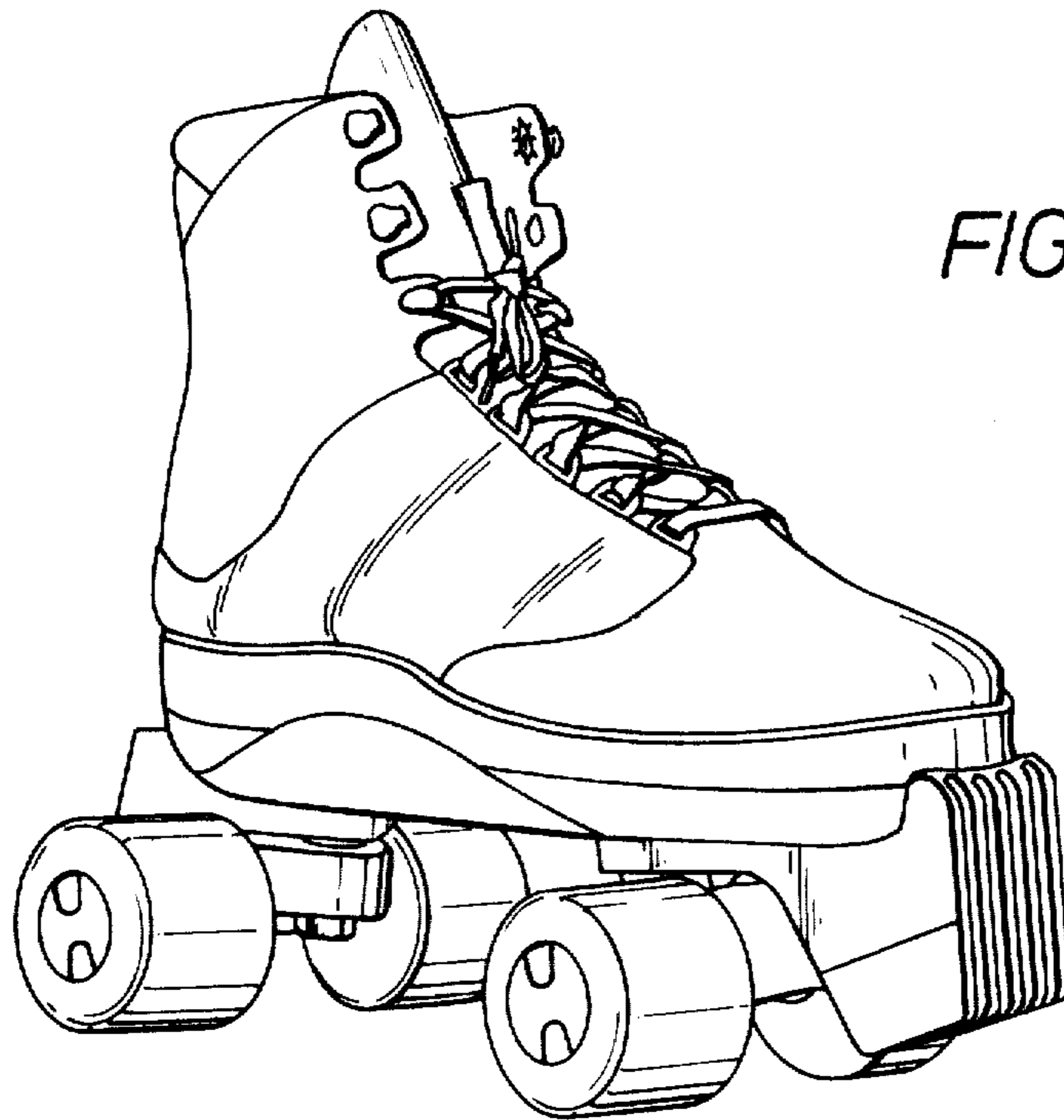


FIG. 1

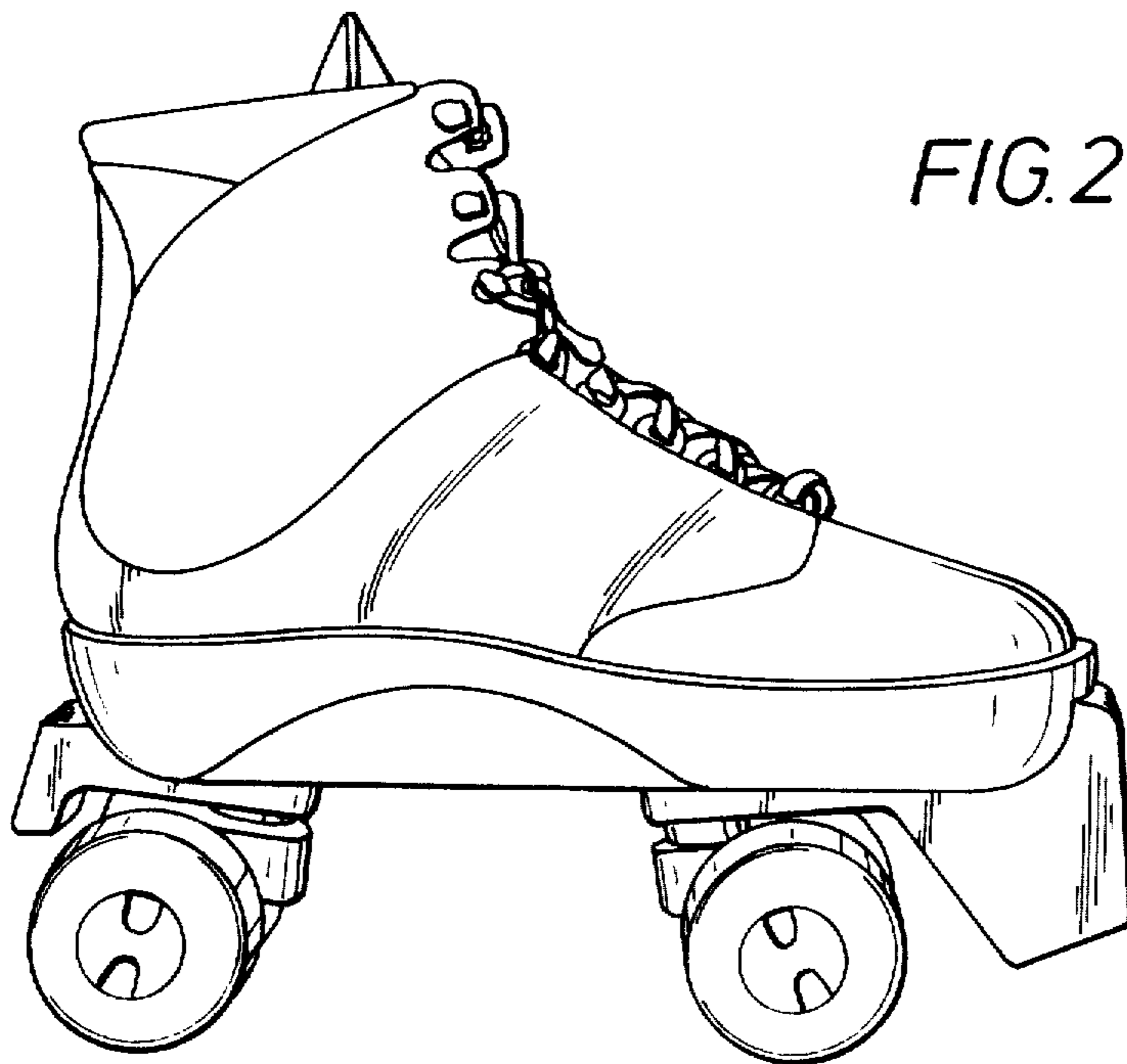
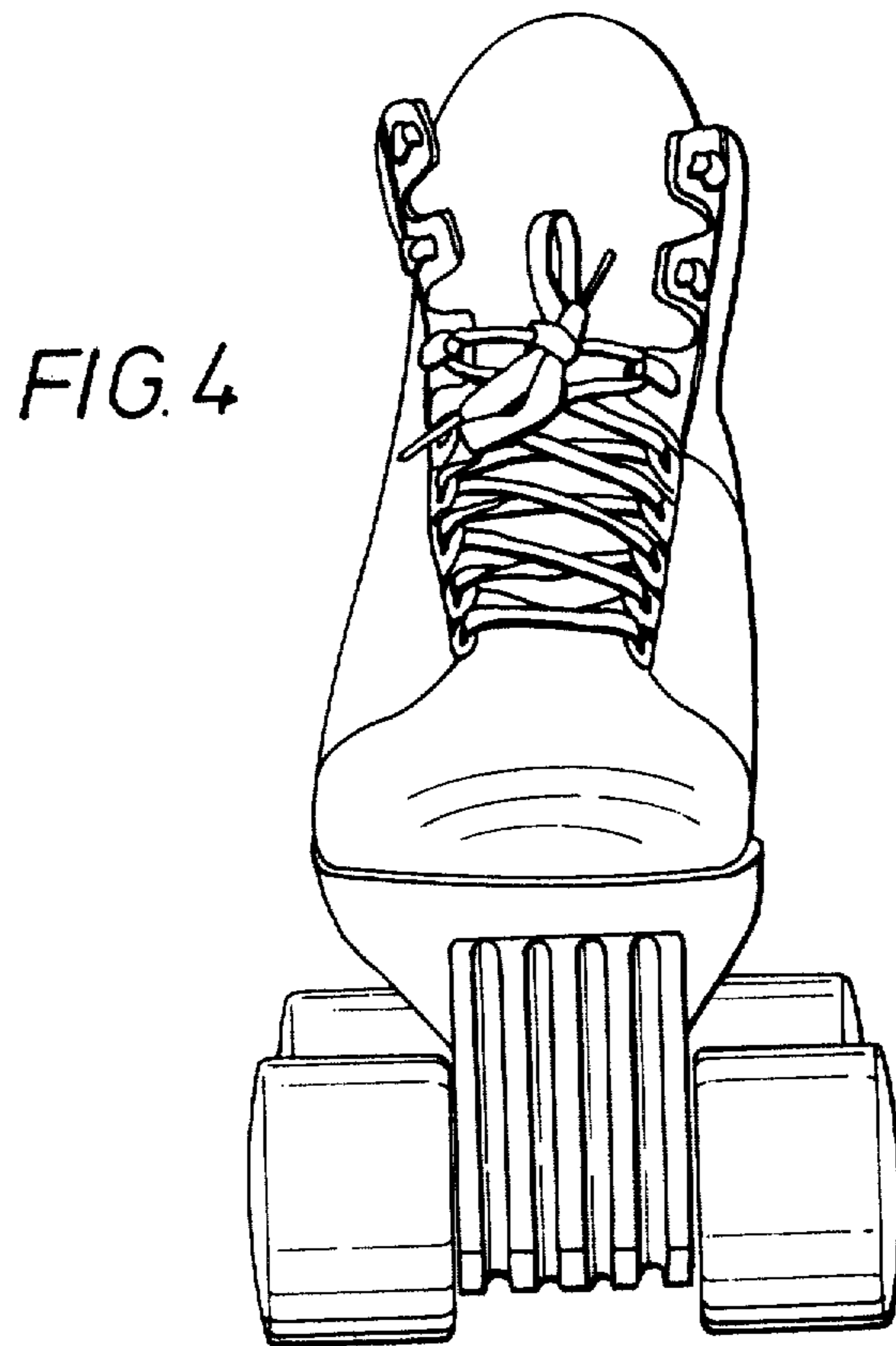
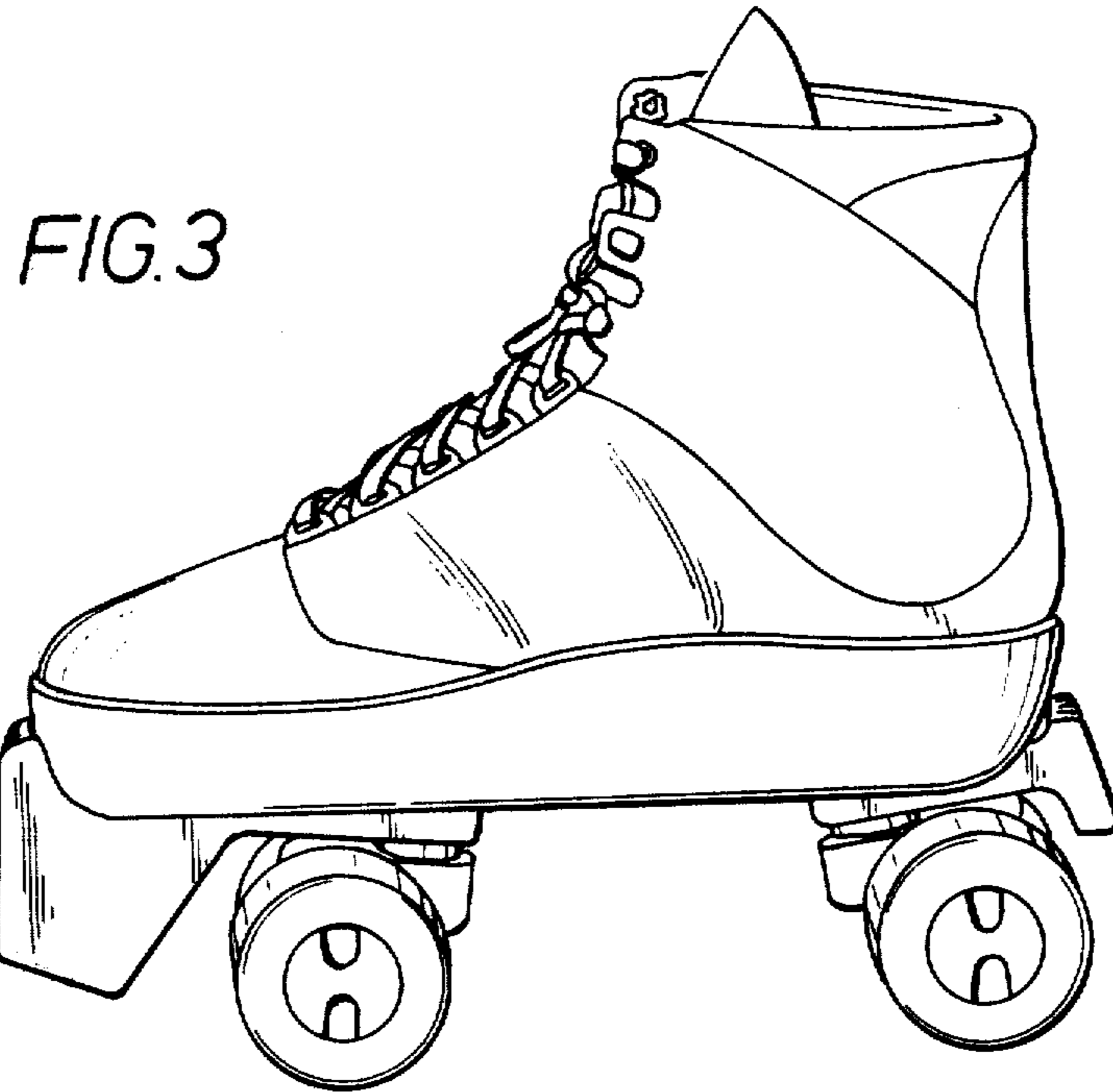


FIG. 2



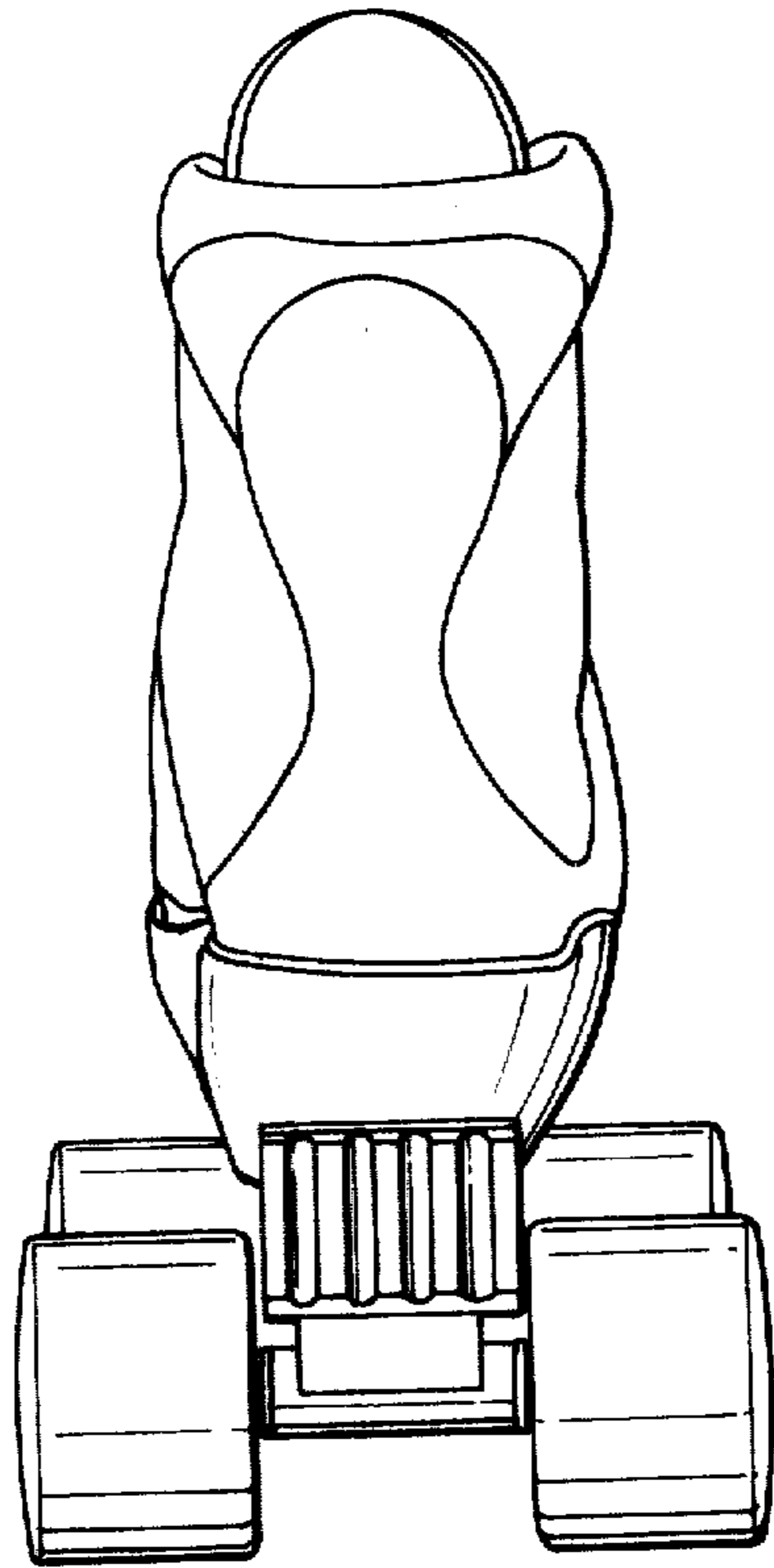


FIG. 5

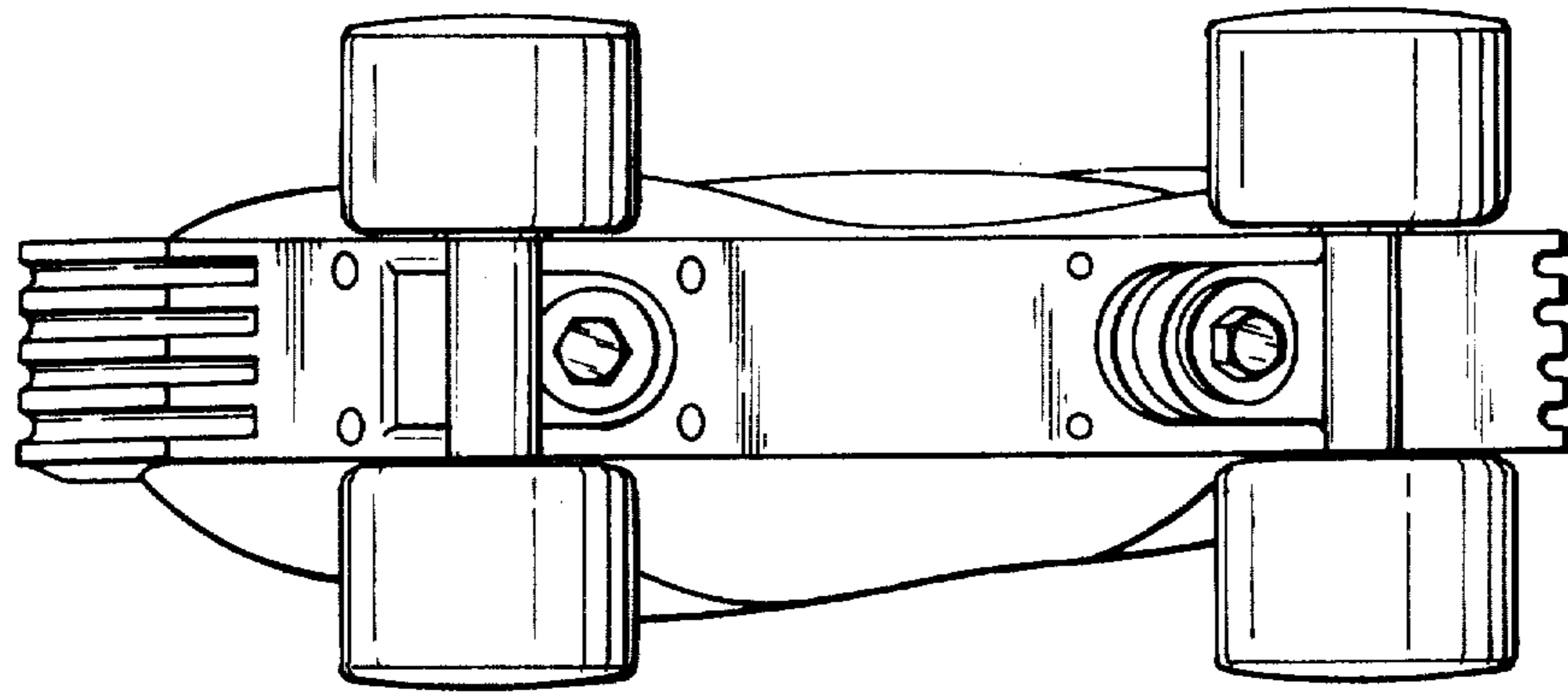


FIG. 6

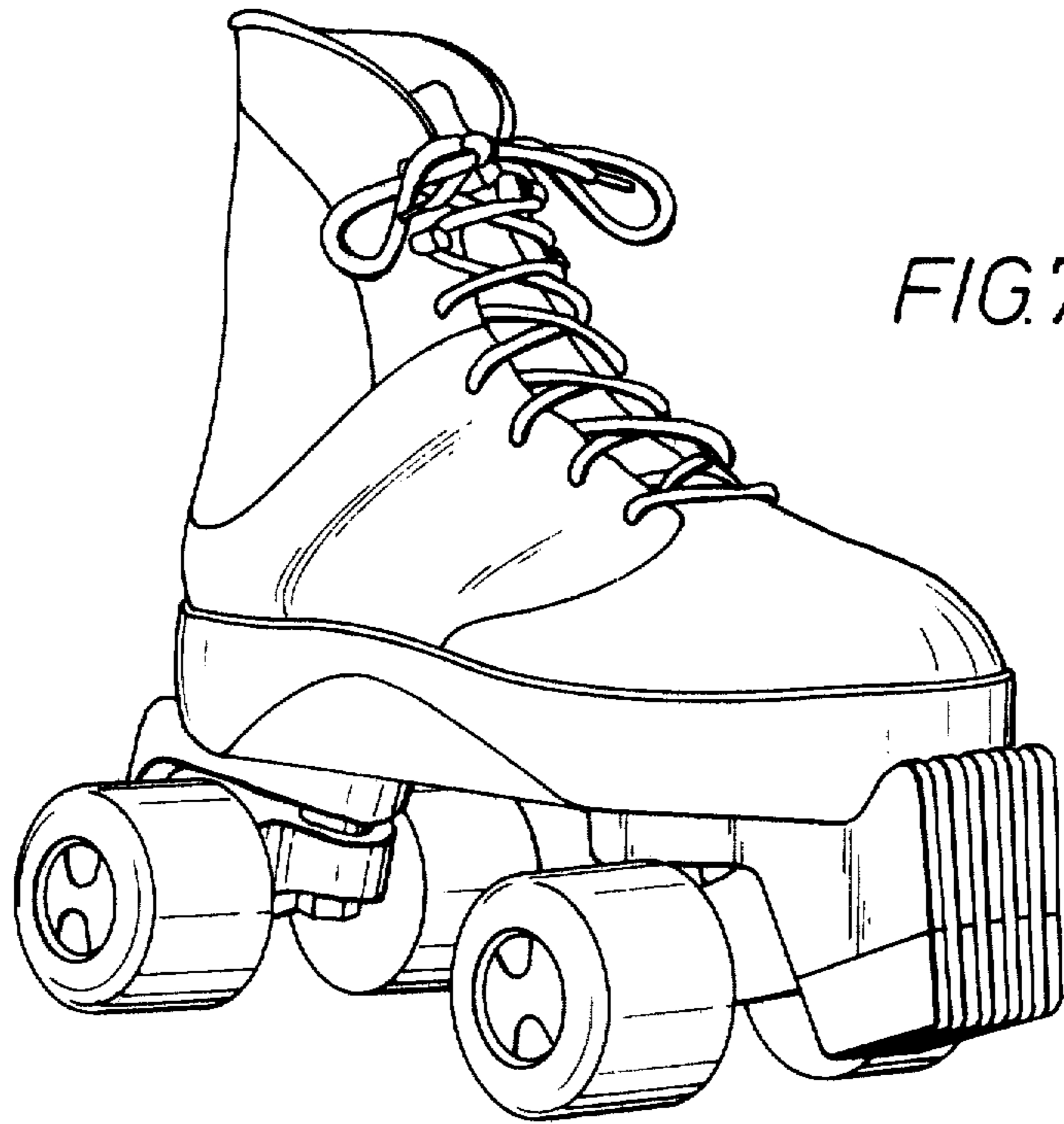


FIG. 7

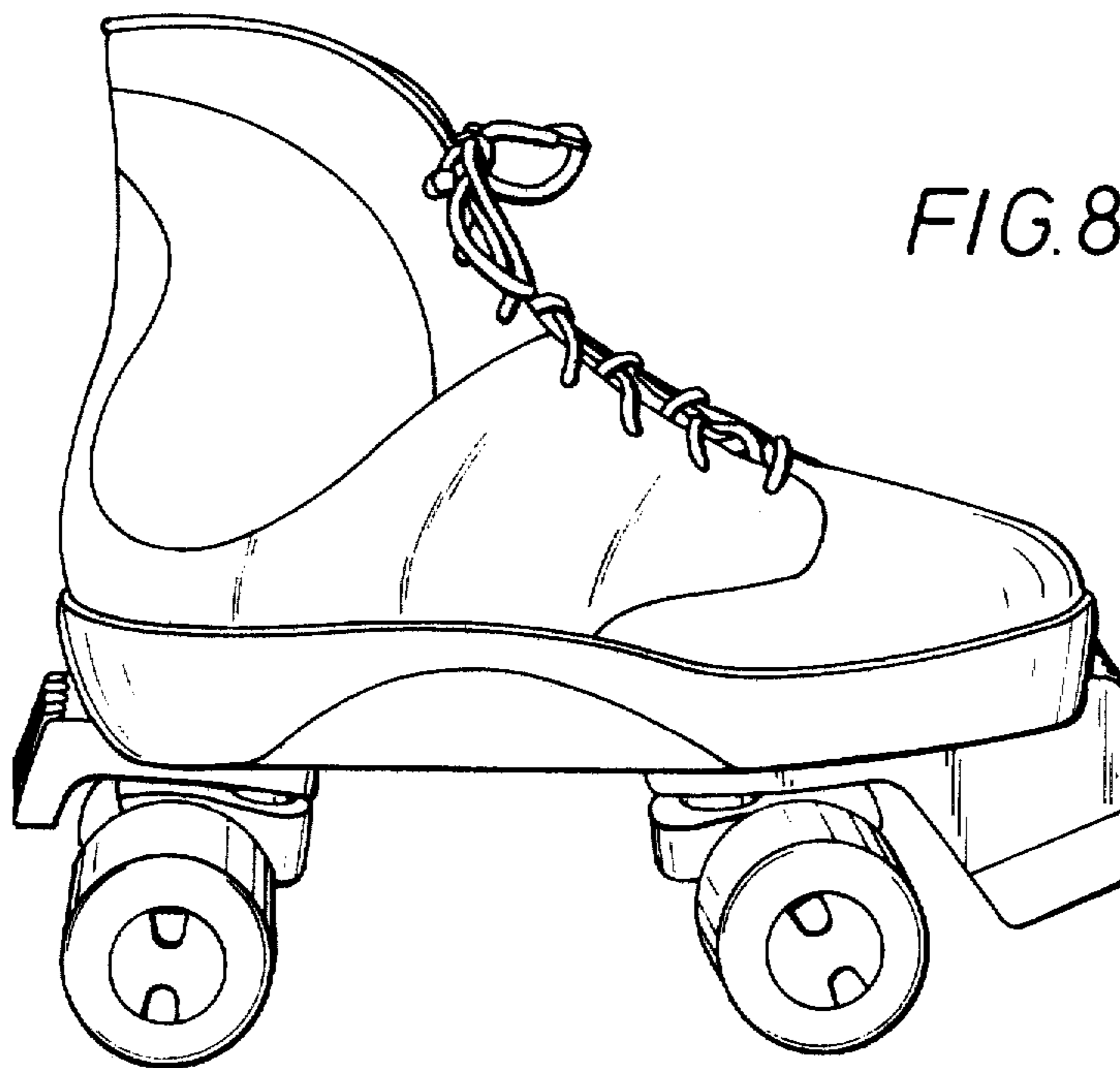


FIG. 8

FIG. 9

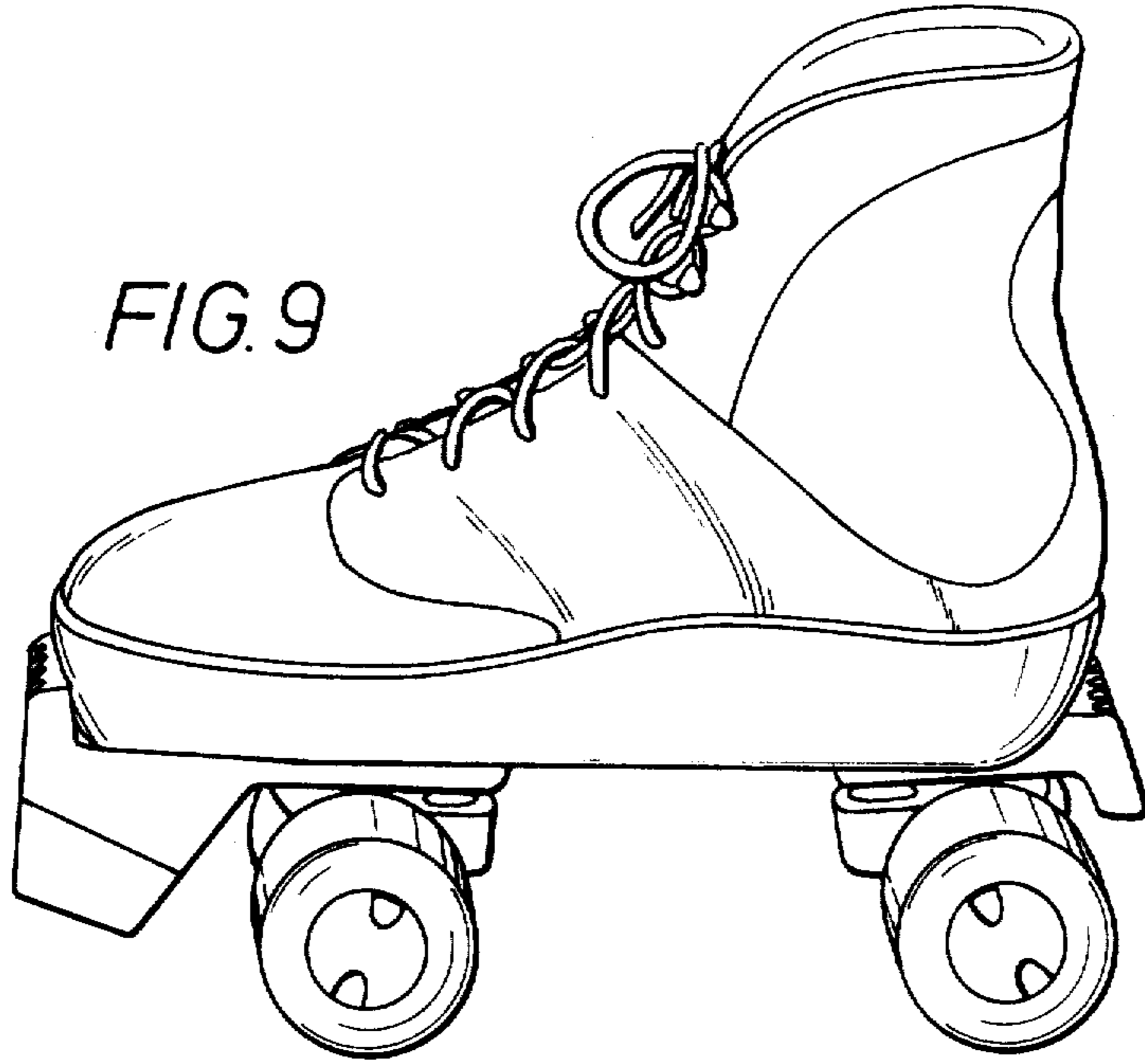
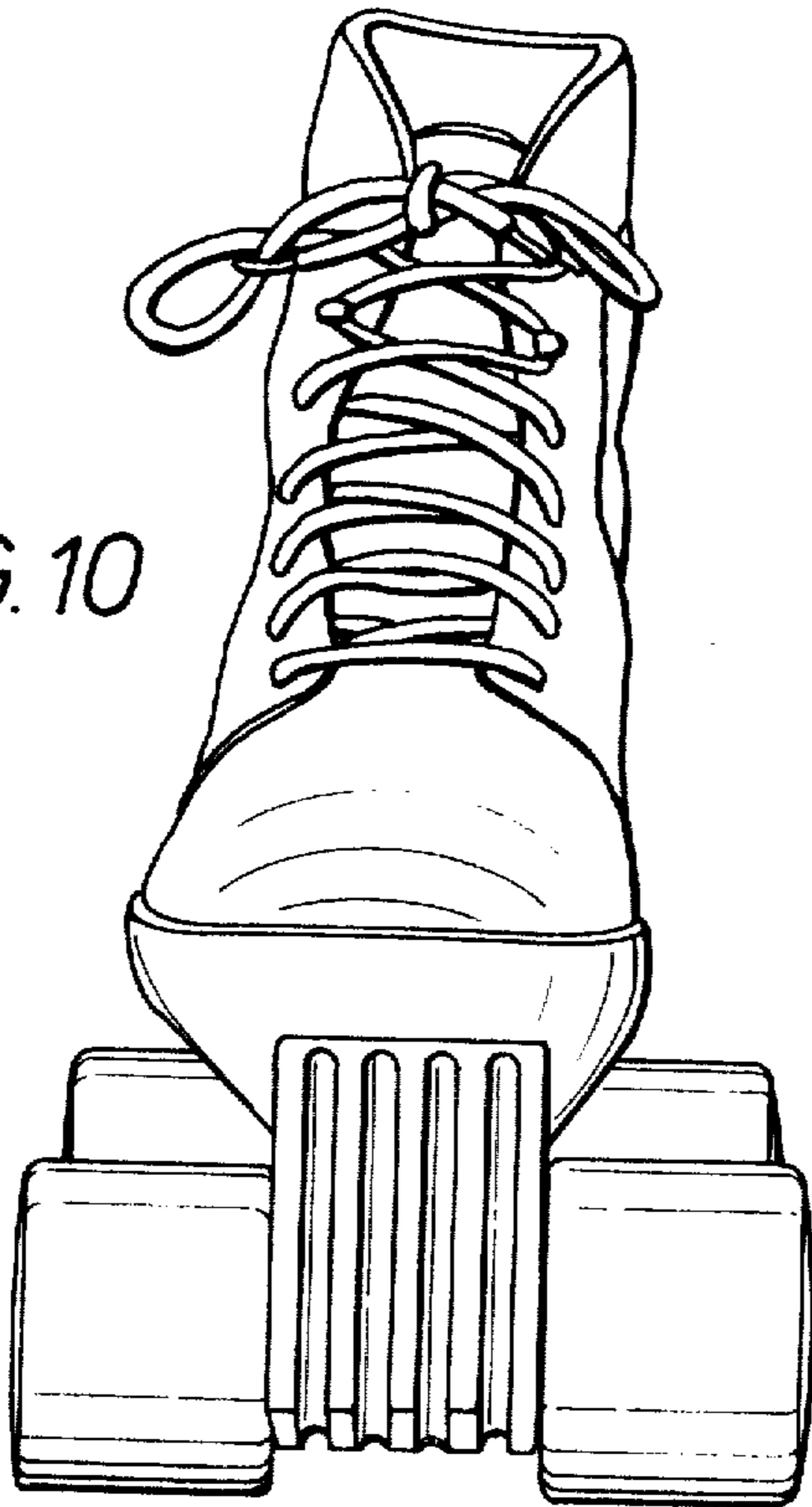


FIG. 10



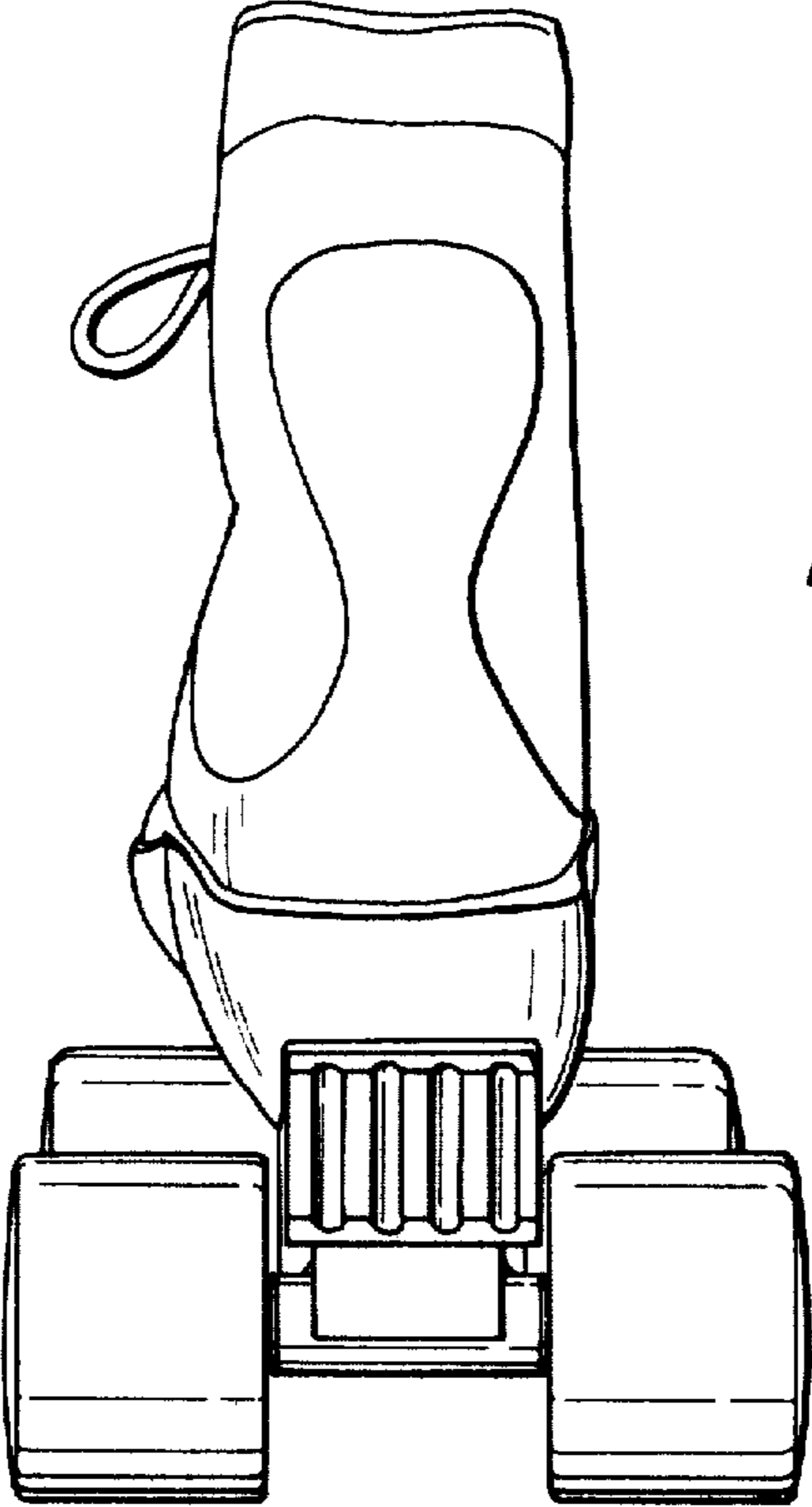


FIG. 11

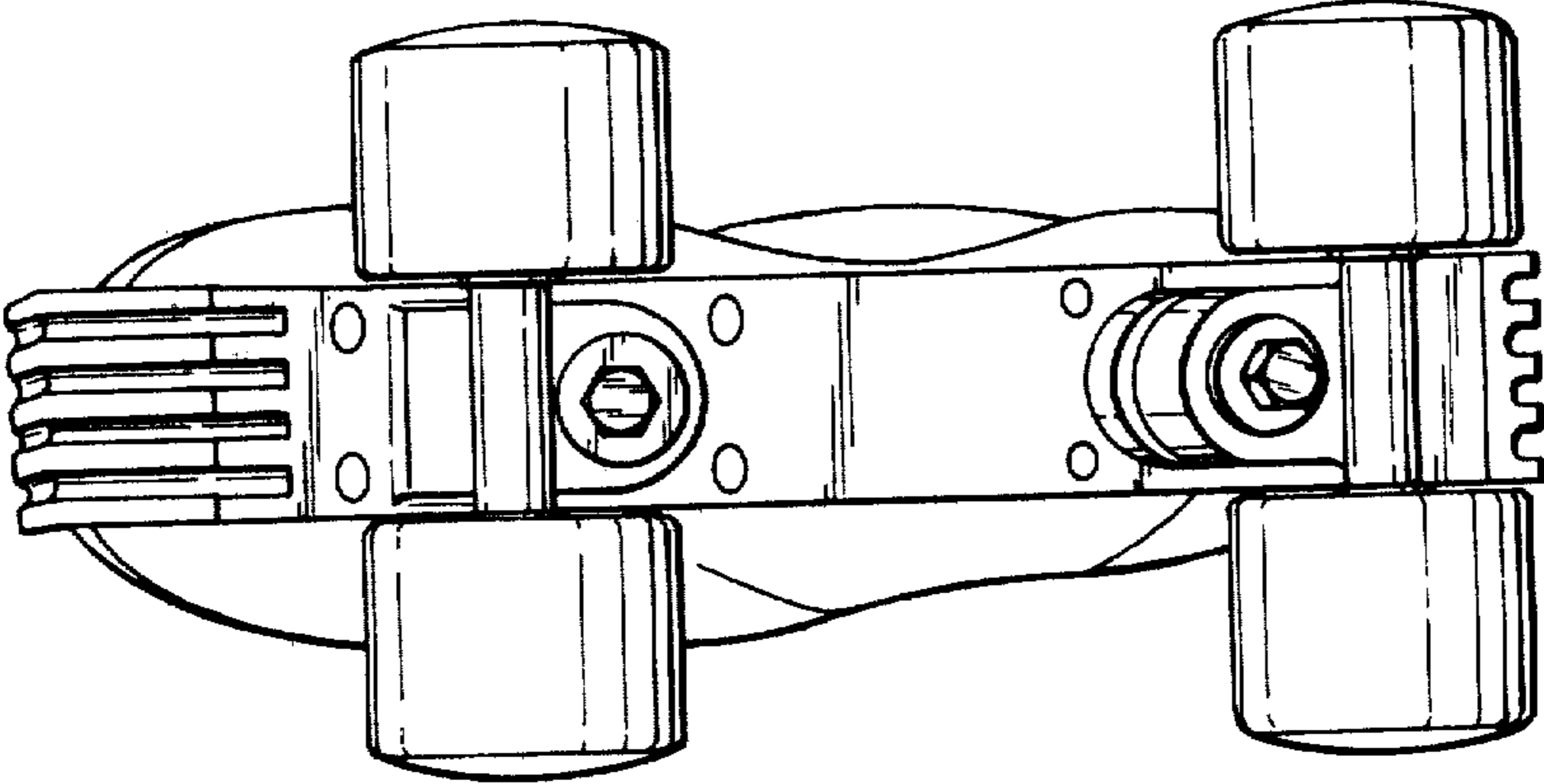


FIG. 12