

[54] PHYSICAL EXERCISER

2,932,509 4/1960 Zinkin ..... D21/195

[76] Inventor: Robert G. Lynn, 798 Holbrook Ave.,  
Simi Valley, Calif. 93065

OTHER PUBLICATIONS

Universal Gym Machines Catalog, ©1974, p. 32, Item  
#H-120, "High Pulley Machine".

[\*\*] Term: 14 Years

Primary Examiner—Charles A. Rademaker  
Attorney, Agent, or Firm—John L. Haller

[21] Appl. No.: 57,950

[22] Filed: Jul. 16, 1979

[57] CLAIM

The ornamental design for a physical exerciser, as  
shown and described.

[51] Int. Cl. .... D21-02

[52] U.S. Cl. .... D21/195

[58] Field of Search ..... D21/191, 195, 196, 198,  
D21/199; 272/93, 116, 117, 118, 120, 125, 131,  
133, 134, 136, 143

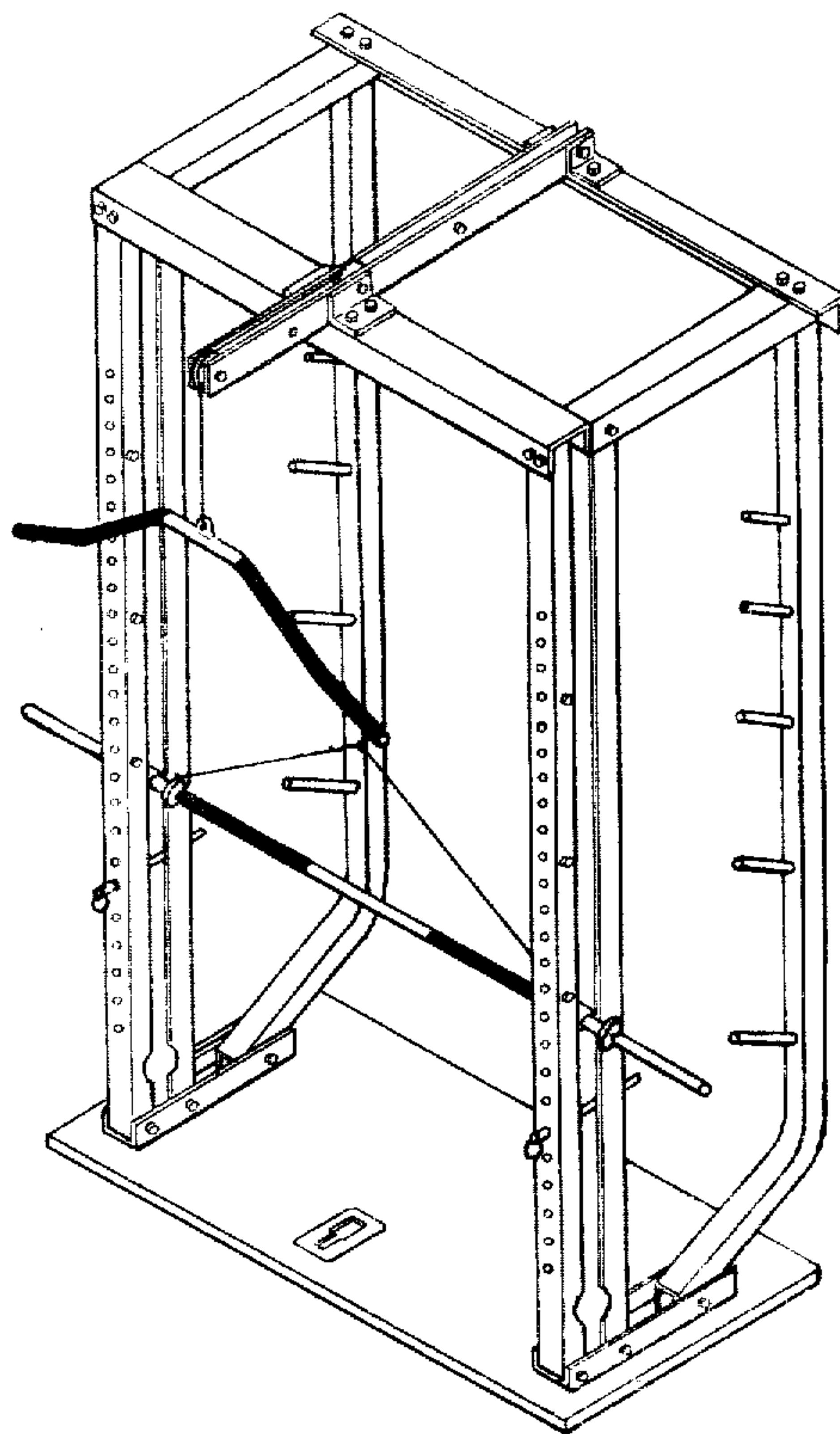
DESCRIPTION

FIG. 1 is a perspective view of a physical exerciser  
showing my new design;  
FIG. 2 is a top plan view thereof;  
FIG. 3 is a front elevational view thereof; and,  
FIG. 4 is a side elevational view thereof, the side oppo-  
site being a mirror image.

[56] References Cited

U.S. PATENT DOCUMENTS

D. 254,143 2/1980 de Block ..... D21/195



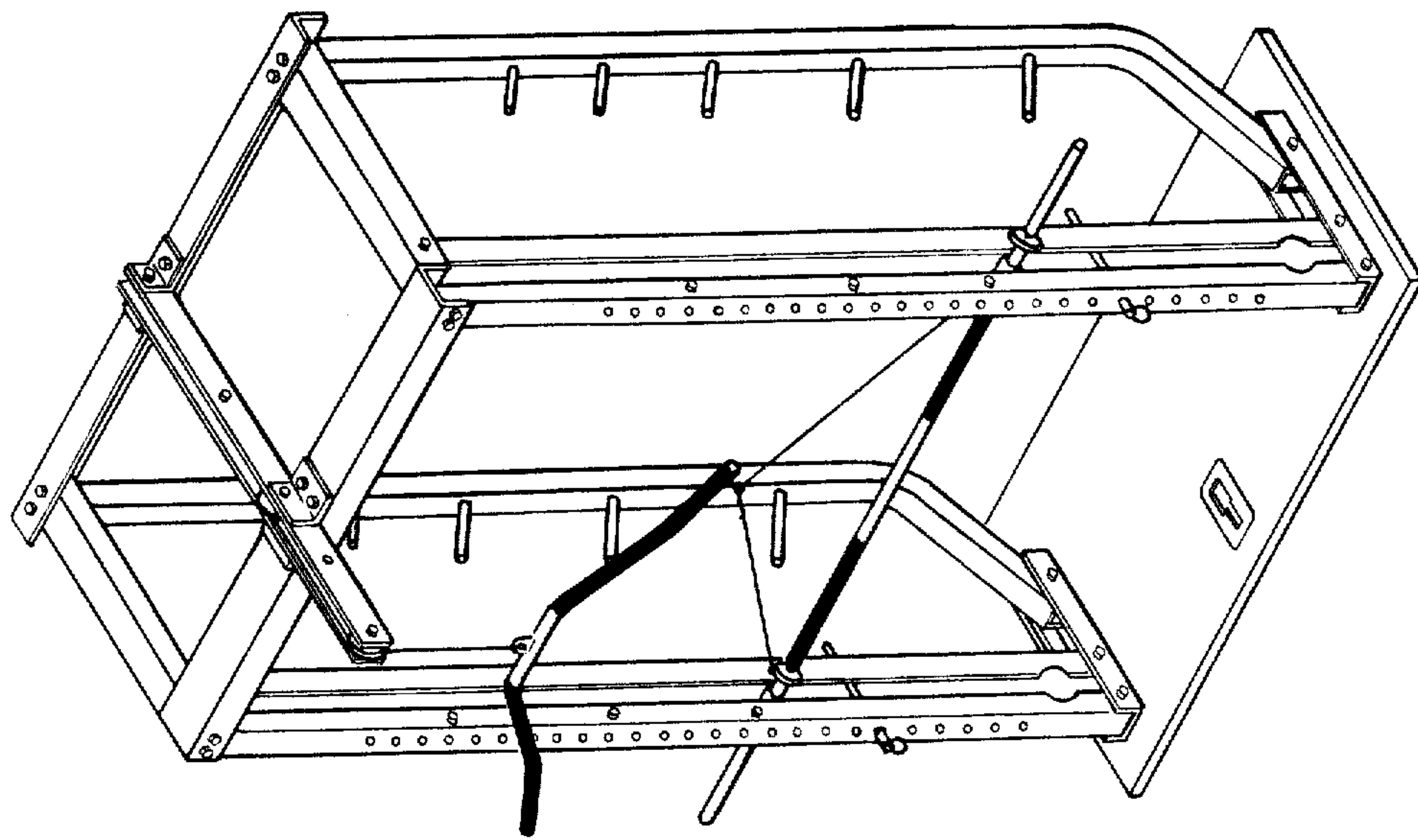


FIG. 1

FIG. 2

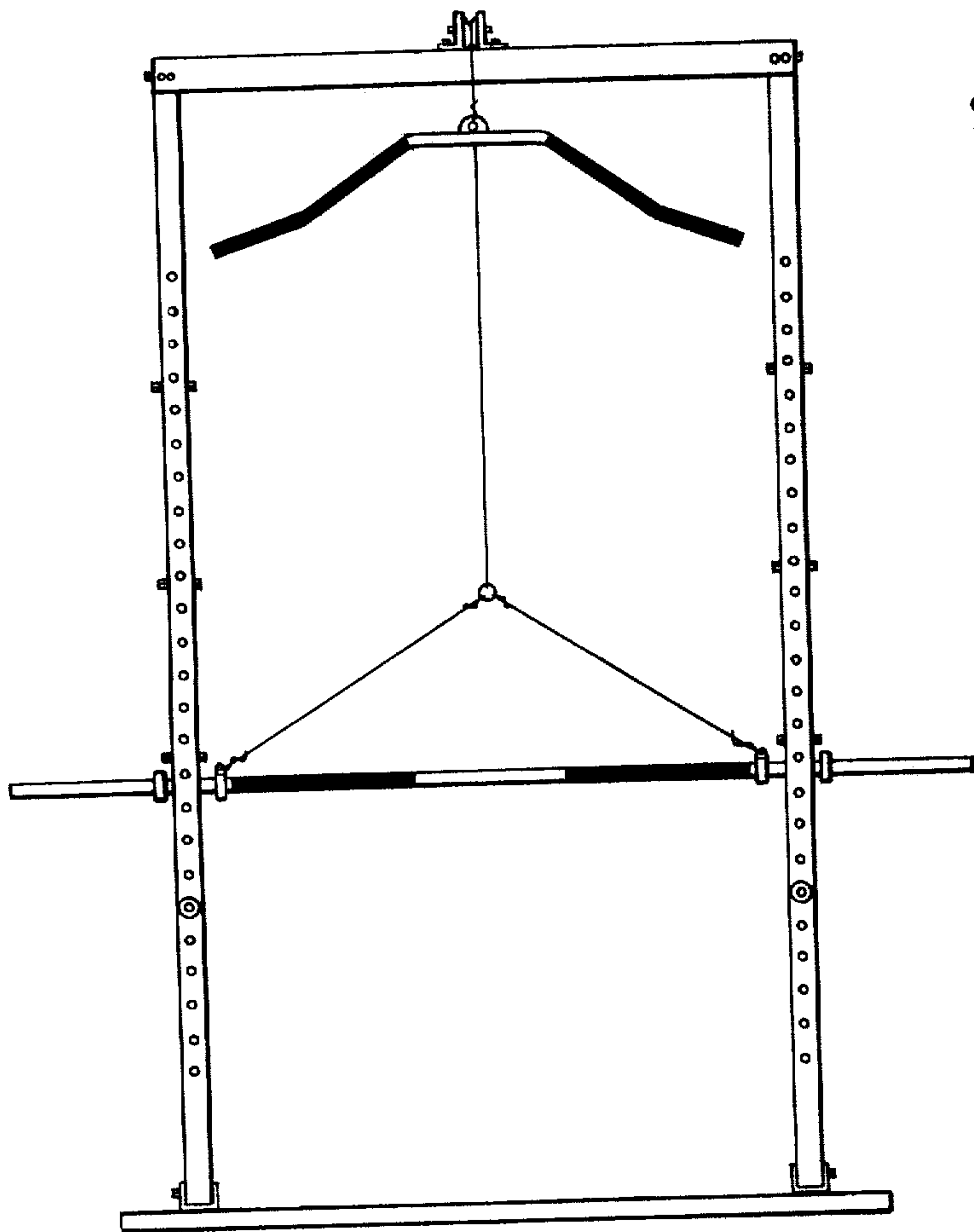
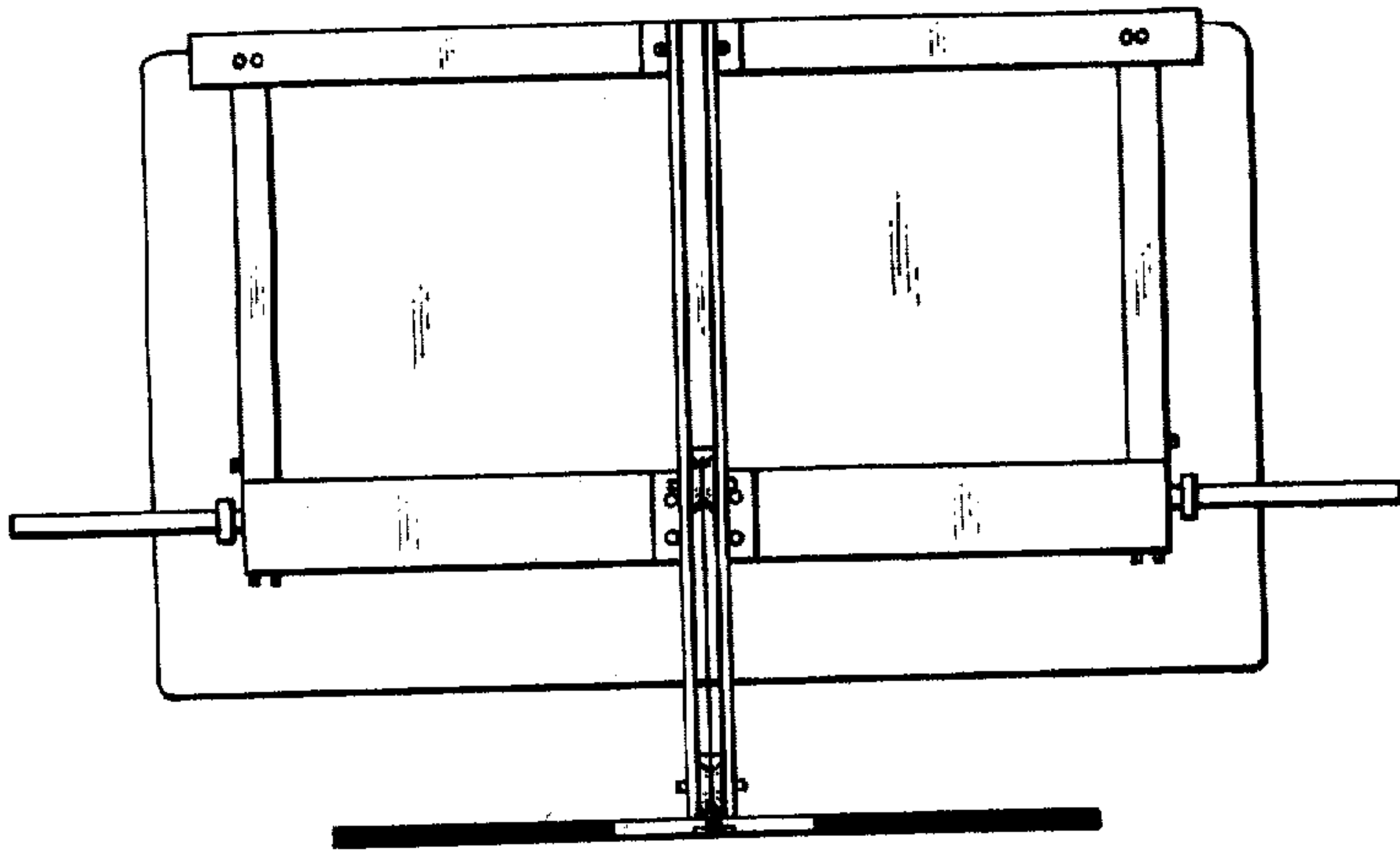


FIG. 3

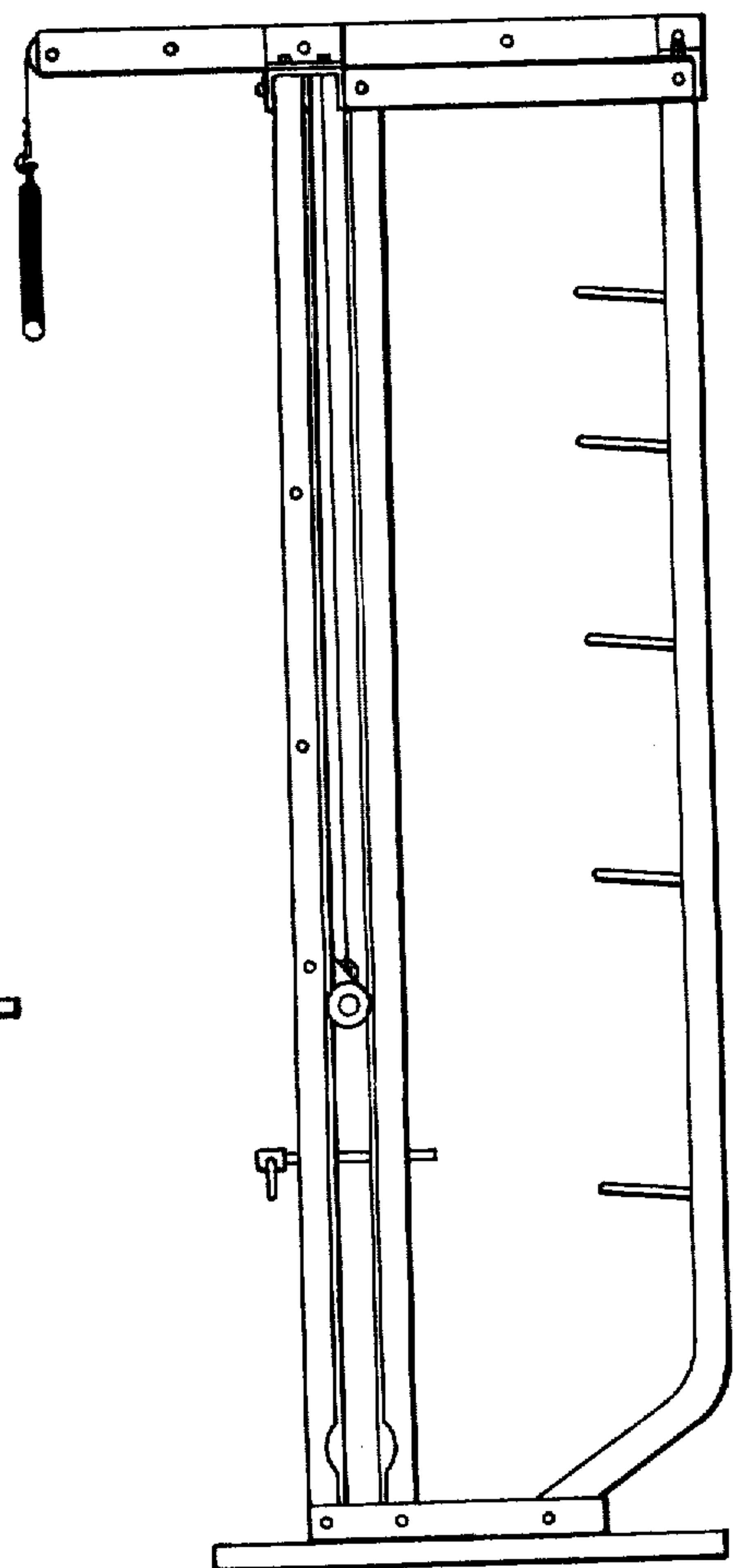


FIG. 4