

[54] TOY AUTOMOBILE

[76] Inventor: Allan Landsman, 843 Maple La., East Meadow, N.Y. 11554

[**] Term: 14 Years

[21] Appl. No.: 108,664

[22] Filed: Dec. 31, 1979

[51] Int. Cl. D21-01

[52] U.S. Cl. D21/137

[58] Field of Search D21/76, 78, 79, 81, D21/128, 132, 134, 135, 136, 137; 46/201, 204, 206, 210, 221, 222, 223; D12/87, 88

[56] References Cited

U.S. PATENT DOCUMENTS

- D. 202,363 9/1965 Glass et al. D21/78
- D. 230,970 3/1974 Loiseau D12/87
- 4,173,095 11/1979 Pauly et al. 46/201

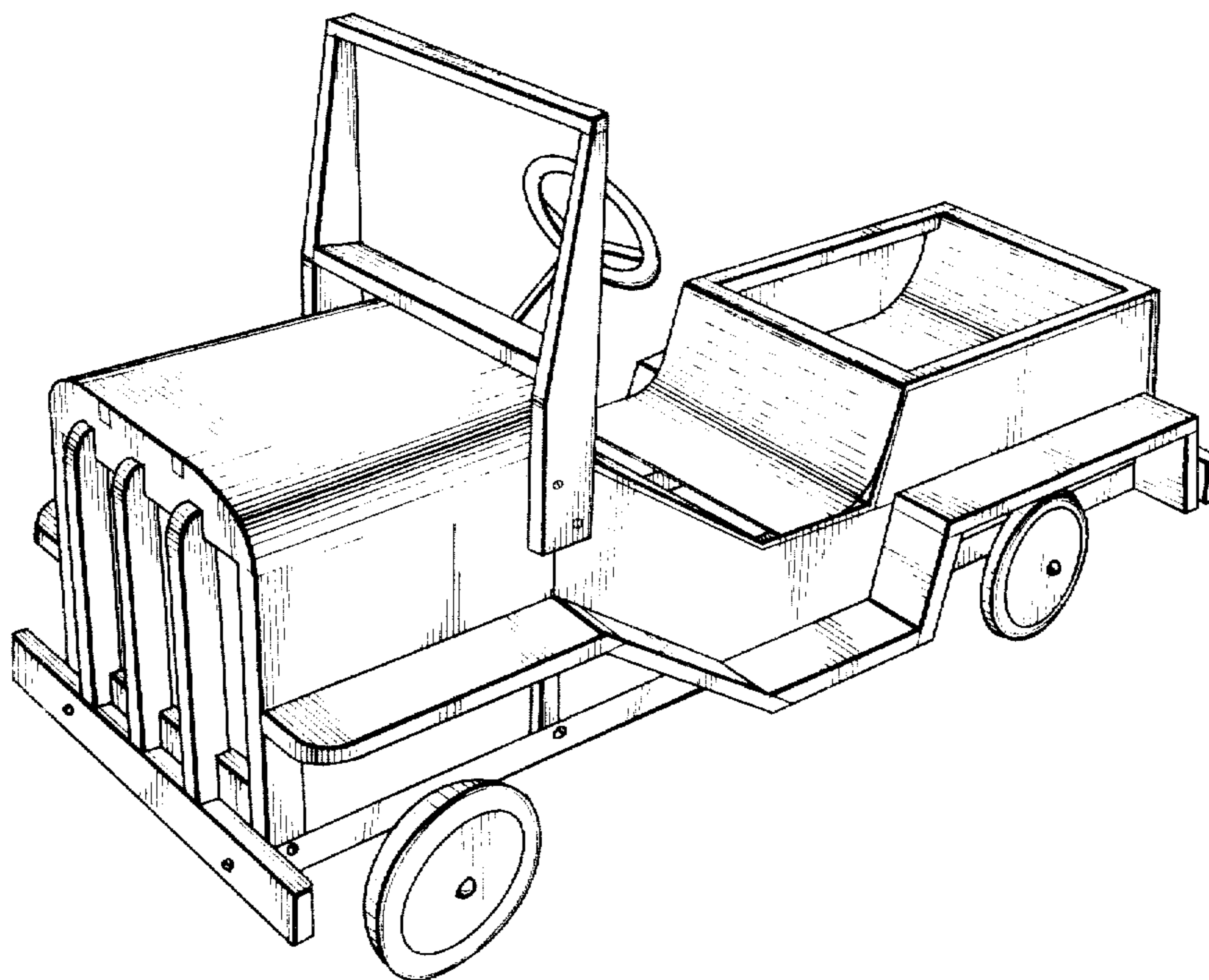
Primary Examiner—Charles A. Rademaker
Attorney, Agent, or Firm—Bucknam and Archer

[57] CLAIM

The ornamental design for a toy automobile, as shown.

DESCRIPTION

FIG. 1 is a rear elevational view of a toy automobile showing my new design;
 FIG. 2 is a side elevational view thereof;
 FIG. 3 is a front elevational view thereof;
 FIG. 4 is a top plan view thereof;
 FIG. 5 is a front perspective view thereof shown on an enlarged scale.



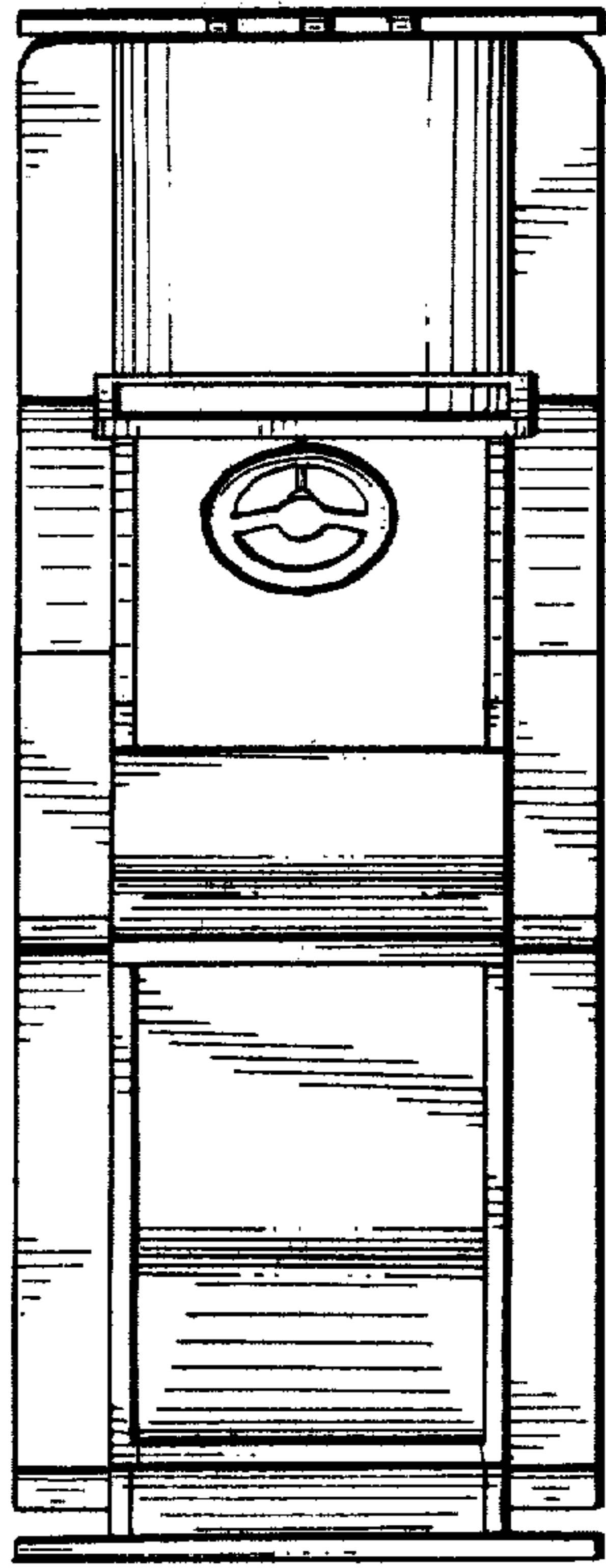


FIG. 4

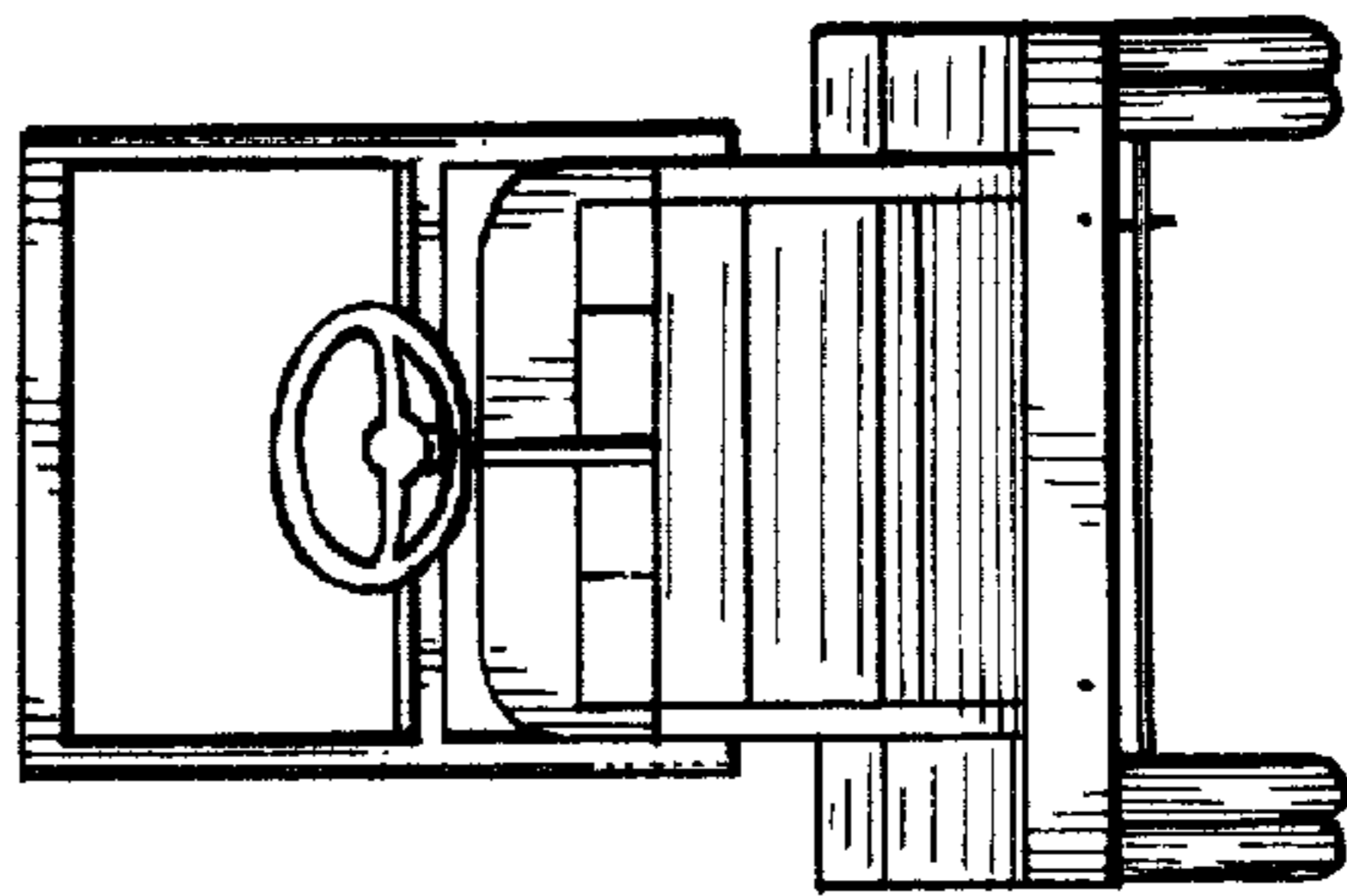


FIG. 1

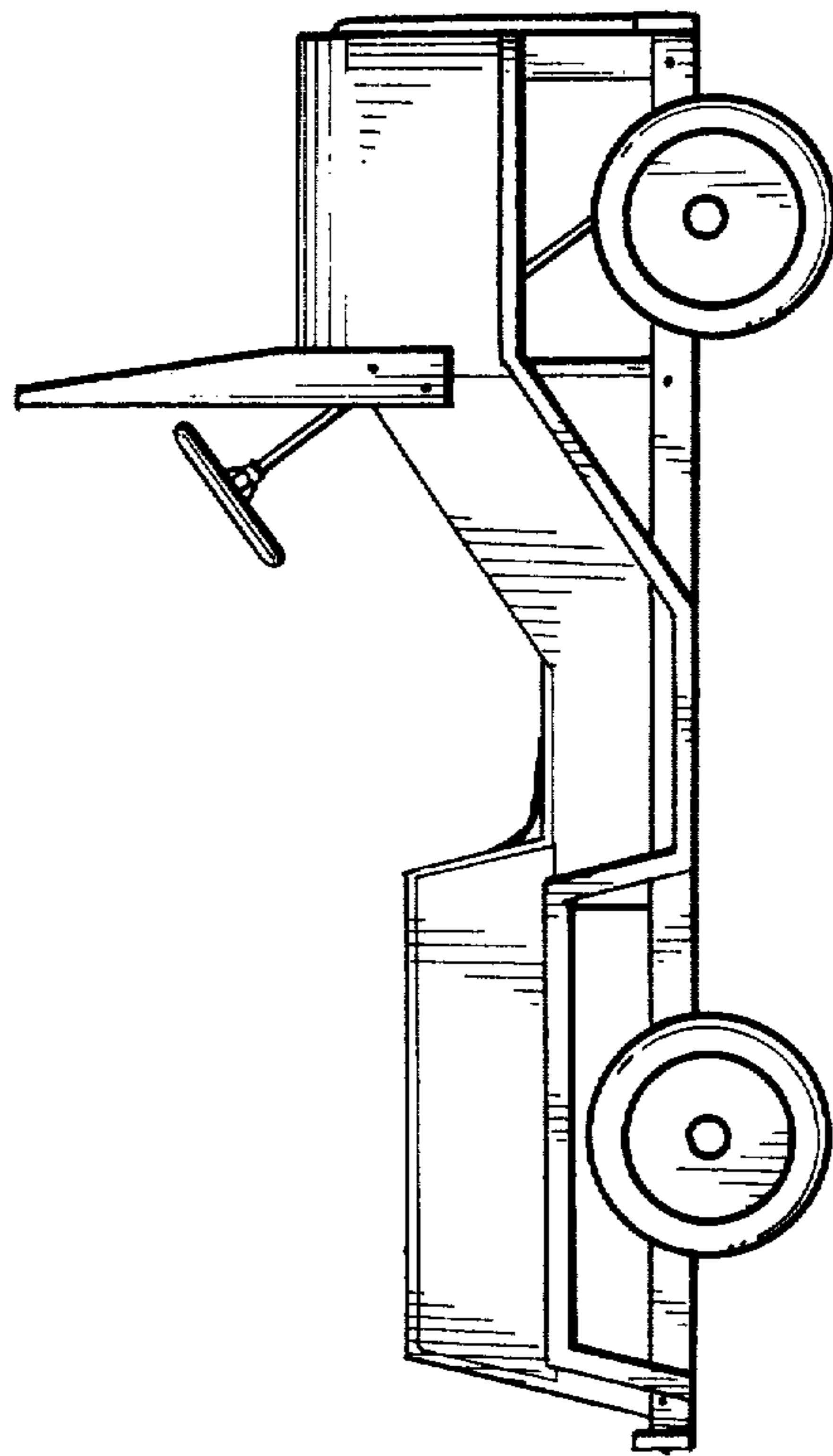


FIG. 2

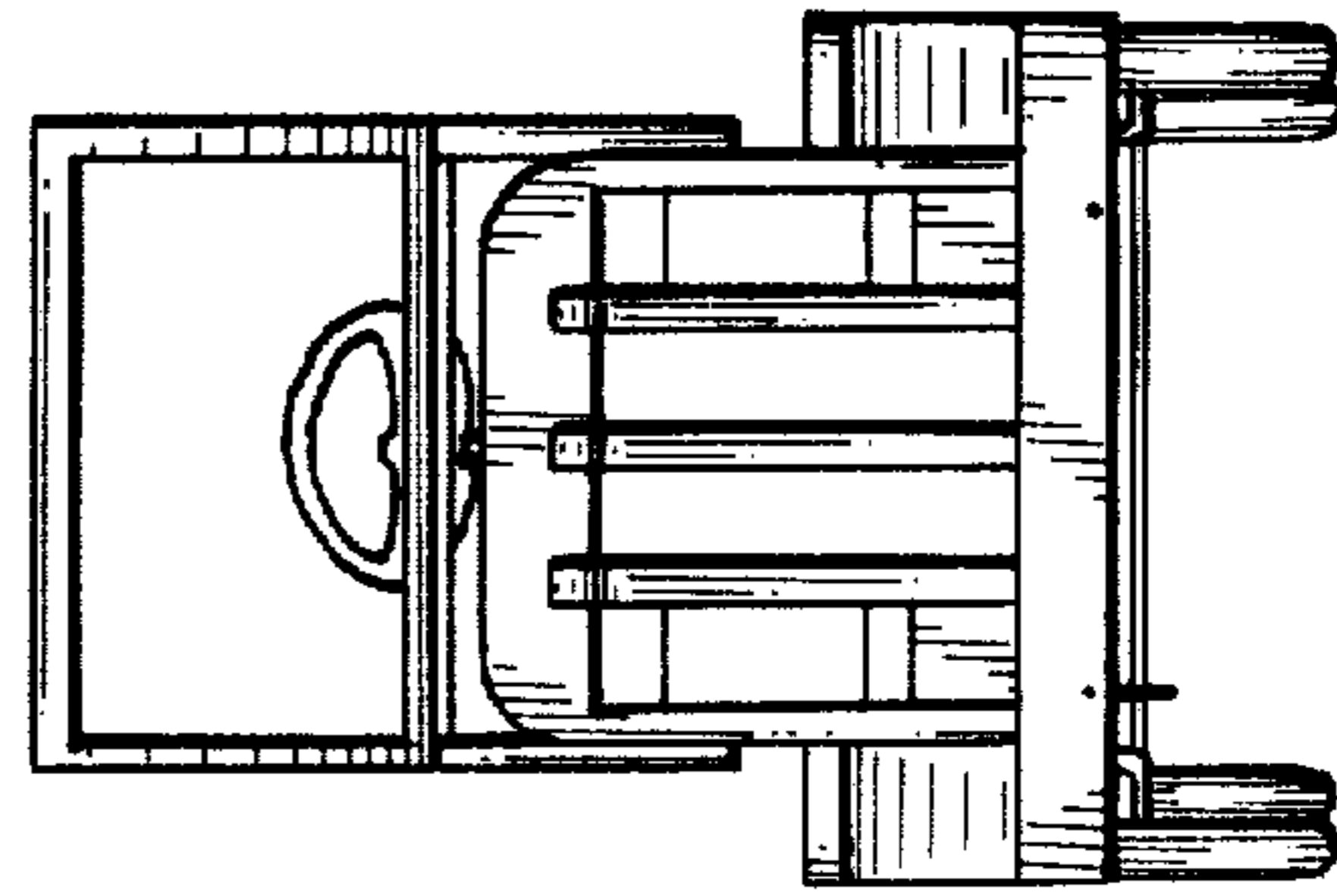


FIG. 3

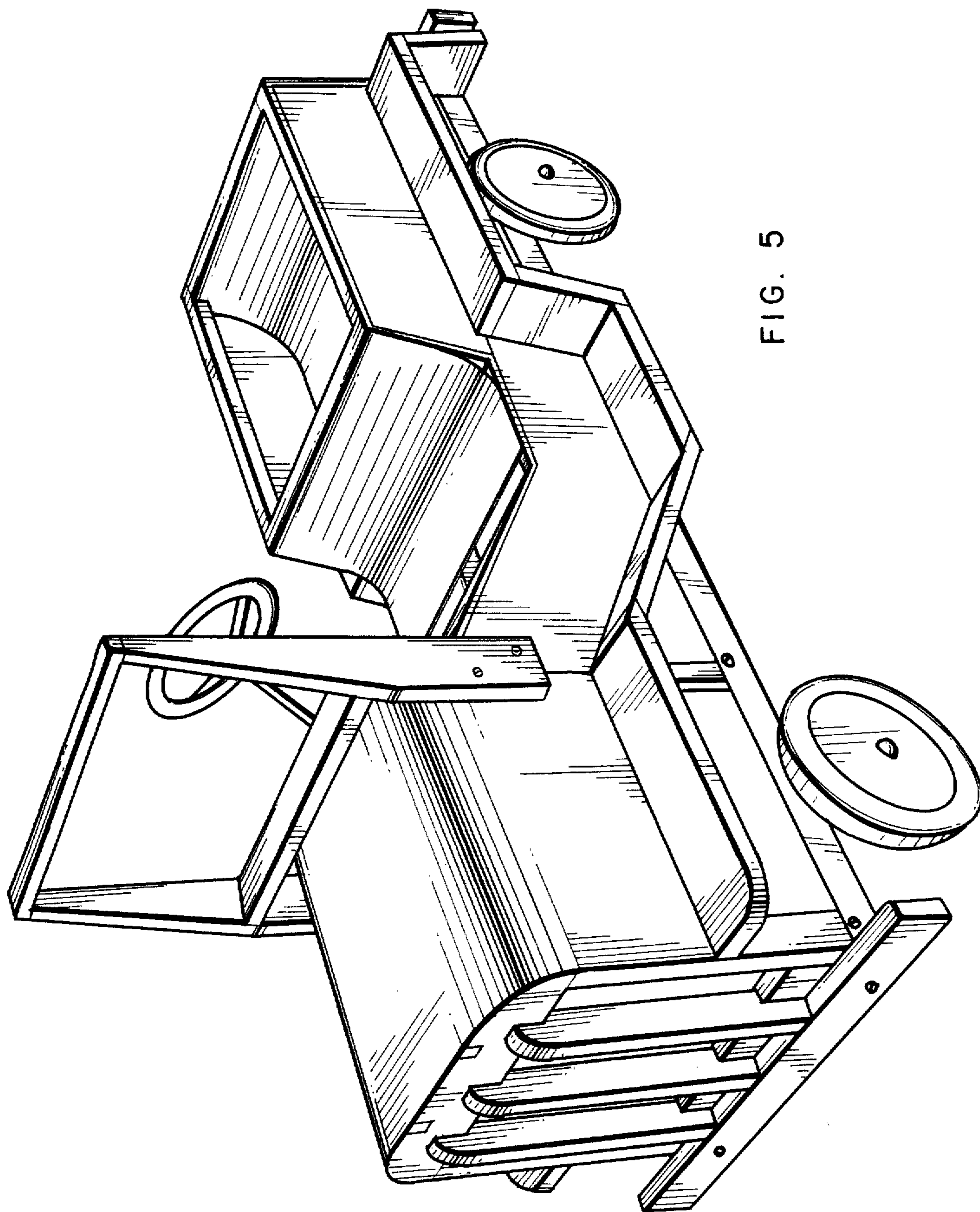


FIG. 5