

[54] RIDING TOY

[75] Inventor: Masami Shiraishi, Tokyo, Japan

[73] Assignee: Tomy Kogyo Co., Inc., Tokyo, Japan

[\*\*] Term: 14 Years

[21] Appl. No.: 170,483

[22] Filed: Jul. 21, 1980

[30] Foreign Application Priority Data

Jul. 5, 1979 [JP] Japan ..... 54-28255

[51] Int. Cl. .... D21-01

[52] U.S. Cl. .... D21/74

[58] Field of Search ..... D21/73, 74, 76, 80, D21/128, 136, 150, 160; 46/111, 101, 109, 222; 200/1.1 A, 1.11 R, 1.13, 1.83, 87.01, 87.04

[56] References Cited

U.S. PATENT DOCUMENTS

D. 150,637 8/1948 Lewis ..... D21/134  
D. 209,602 12/1967 Wormser ..... D21/160

OTHER PUBLICATIONS

Playthings, 10-1979, p. 56, item "Big Bird" Ride-on toy.

Sears Xmas Catalog, 1977, p. 469, item #6, Coaster.

Primary Examiner—Charles A. Rademaker

Attorney, Agent, or Firm—K. H. Boswell; Edward D. O'Brian

[57] CLAIM

The ornamental design for a riding toy, substantially as shown and described.

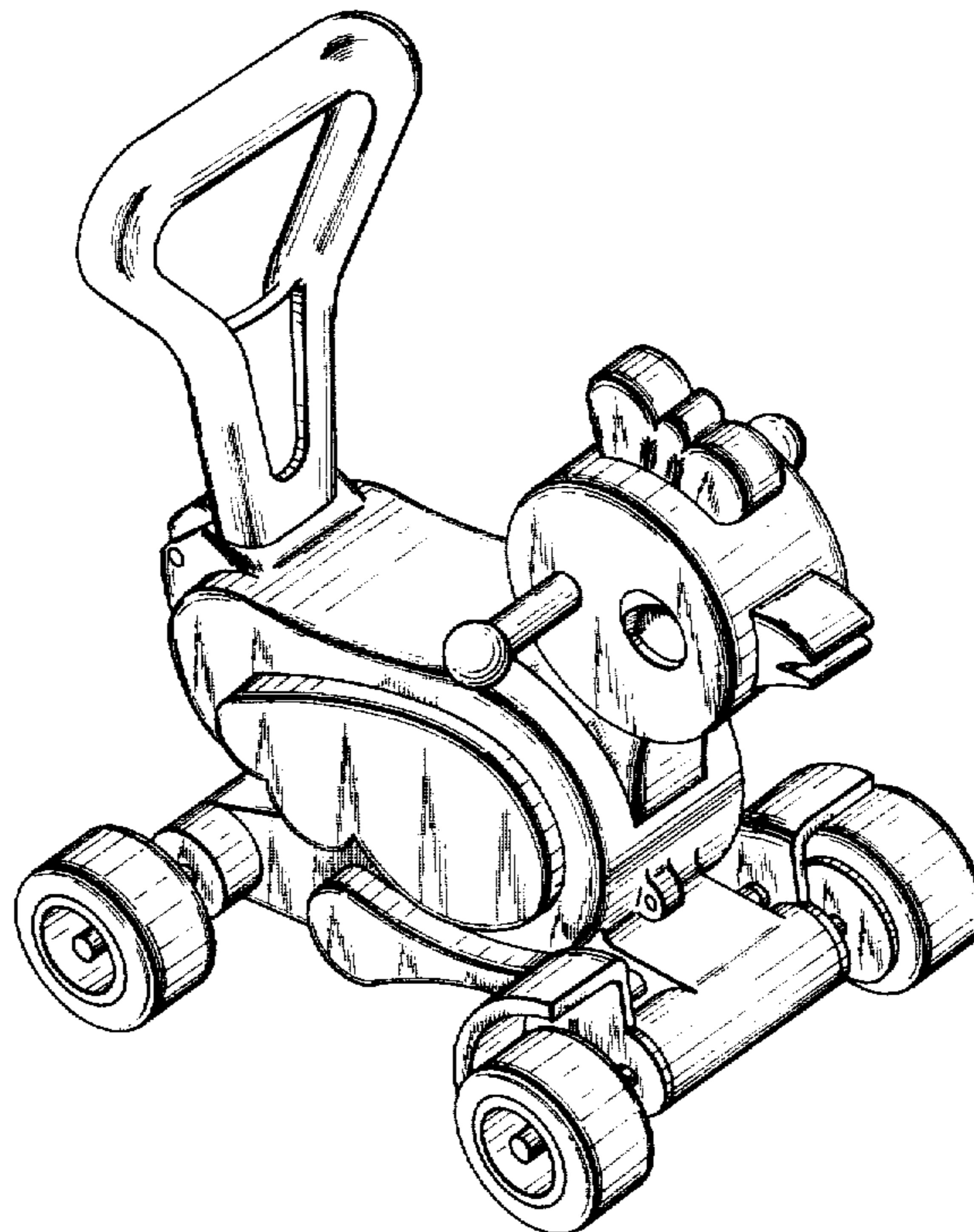
DESCRIPTION

FIG. 1 is a front perspective view of a riding toy showing my new design;

FIG. 2 is a left side elevational view thereof;

FIG. 3 is a rear elevational view thereof; and,

FIG. 4 is a bottom plan view thereof.



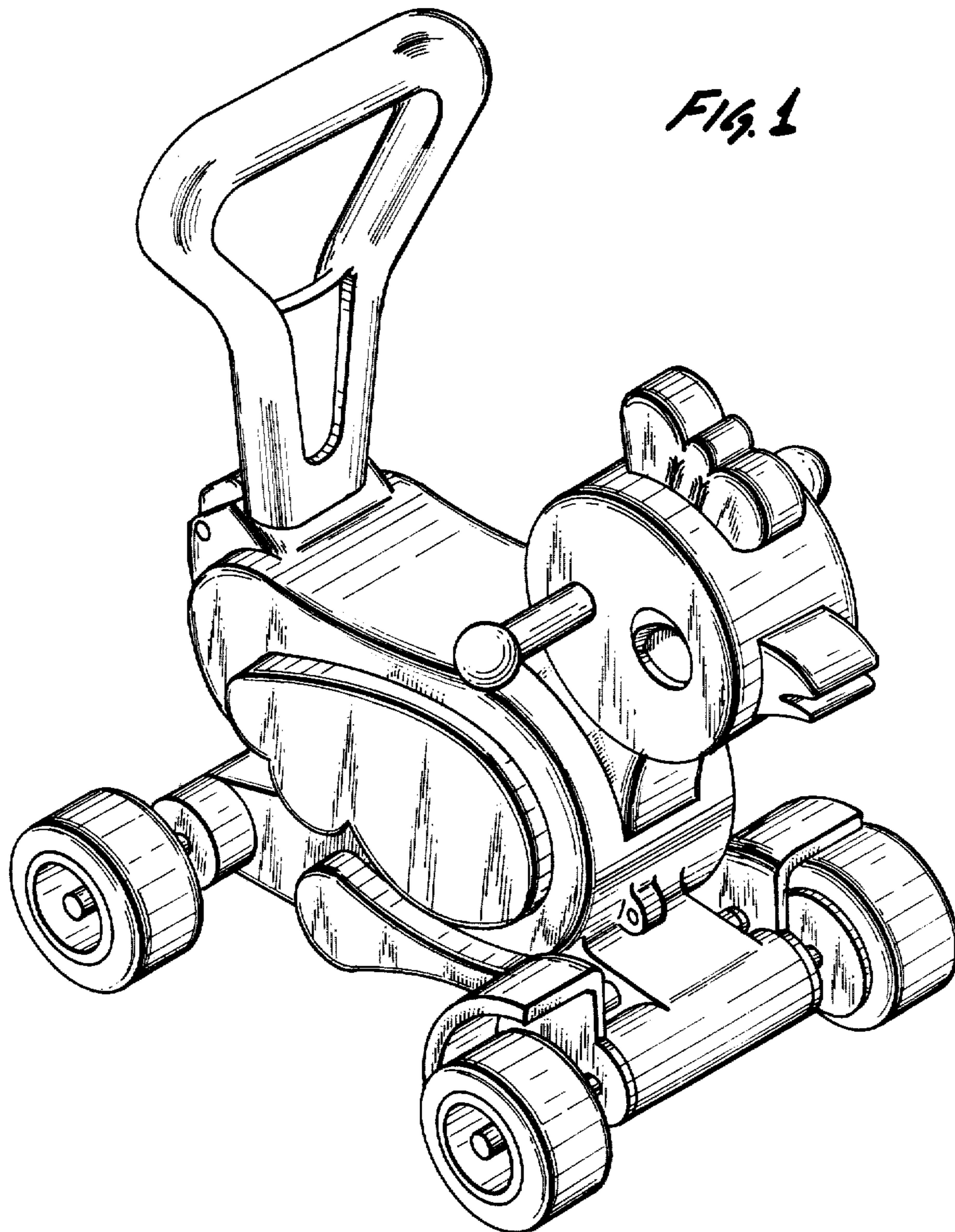
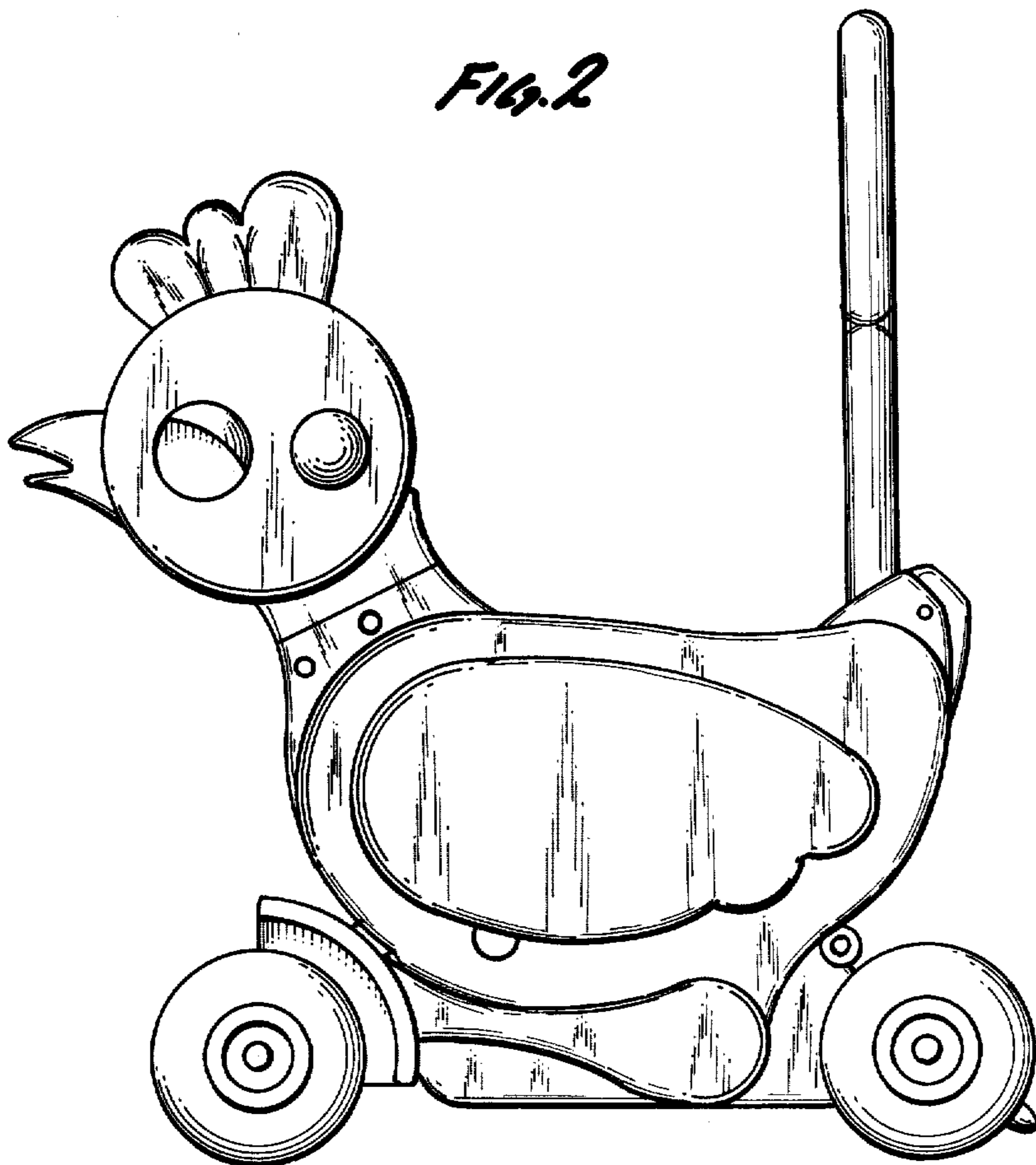
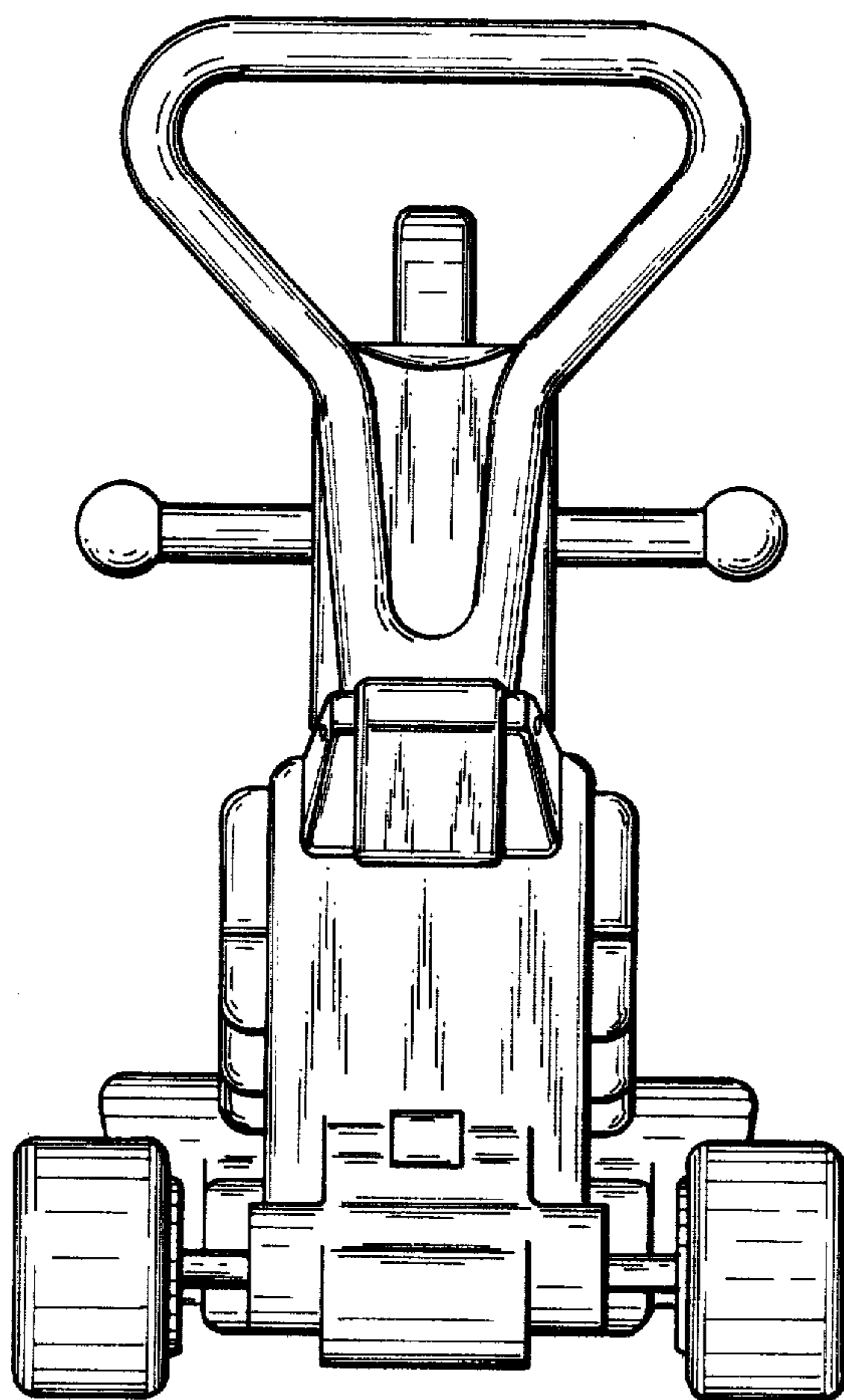


FIG. 1

*Fig. 2*



*FIG. 3*



*FIG. 4*

