

[54] PRINT WHEEL CARTRIDGE OR THE LIKE

[56]

References Cited

U.S. PATENT DOCUMENTS

4,124,312 11/1978 Johnson ..... 400/144.2  
4,209,262 6/1980 Savage ..... 400/144.2  
4,264,221 4/1981 Habich et al. .... 400/144.2

FOREIGN PATENT DOCUMENTS

55-41205 3/1980 Japan ..... 400/144.2

Primary Examiner—Louis S. Zarfes  
Attorney, Agent, or Firm—J. B. Kraft

[75] Inventors: Paul Feinstein, Jr.; Adolph B. Habich, both of Austin; Ronald E. Hunt, Georgetown; Herbert E. Meister, Jr., Austin, all of Tex.

[73] Assignee: International Business Machines Corporation, Armonk, N.Y.

[\*\*] Term: 14 Years

[21] Appl. No.: 159,556

[22] Filed: Jun. 16, 1980

[51] Int. Cl. .... D18—99  
[52] U.S. Cl. .... D18/12; D18/22  
[58] Field of Search ..... D18/12, 18, 22; D14/11;  
400/144.2, 144.3, 196, 196.1, 207, 208, 208.1,  
175

[57]

CLAIM

The ornamental design for a print wheel cartridge or the like, substantially as shown and described.

DESCRIPTION

FIG. 1 is a front perspective view of a printer wheel cartridge, or the like, showing our new design; FIG. 2 is a front elevational view thereof; FIG. 3 is a rear elevational view thereof; FIG. 4 is a right side elevational view thereof, the left side being a mirror image; FIG. 5 is a top plan view thereof; and FIG. 6 is a bottom plan view thereof.

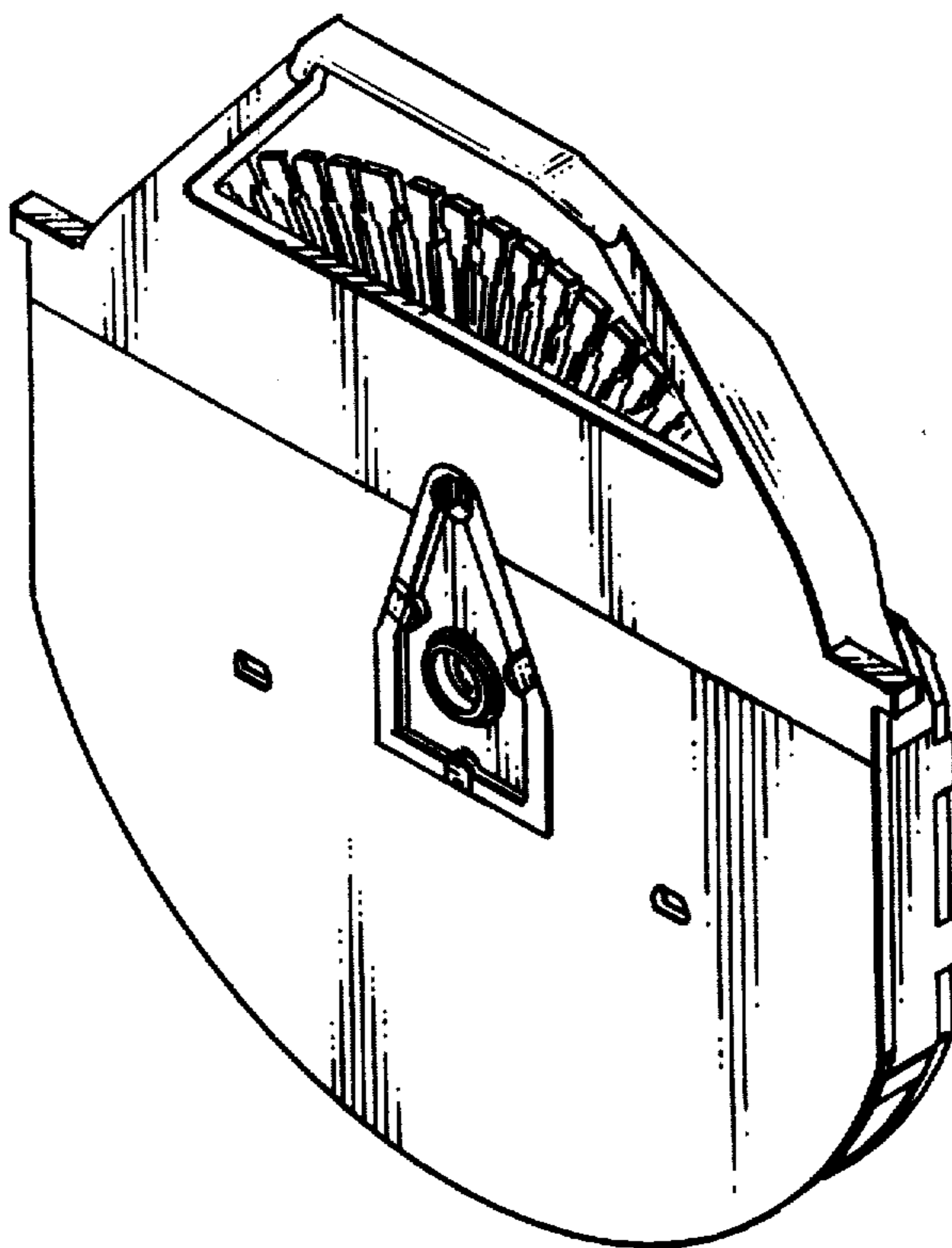


FIG. 1

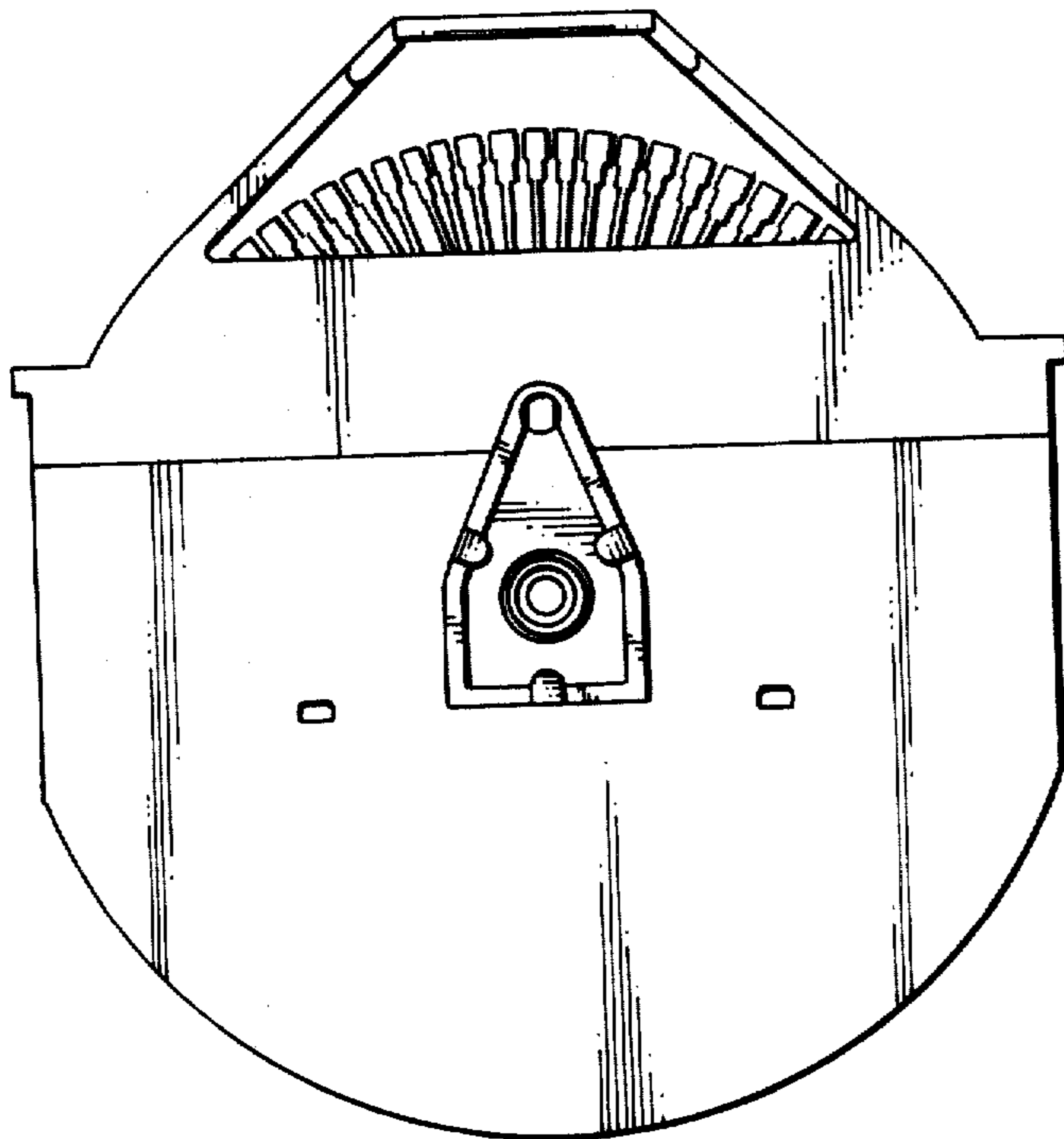
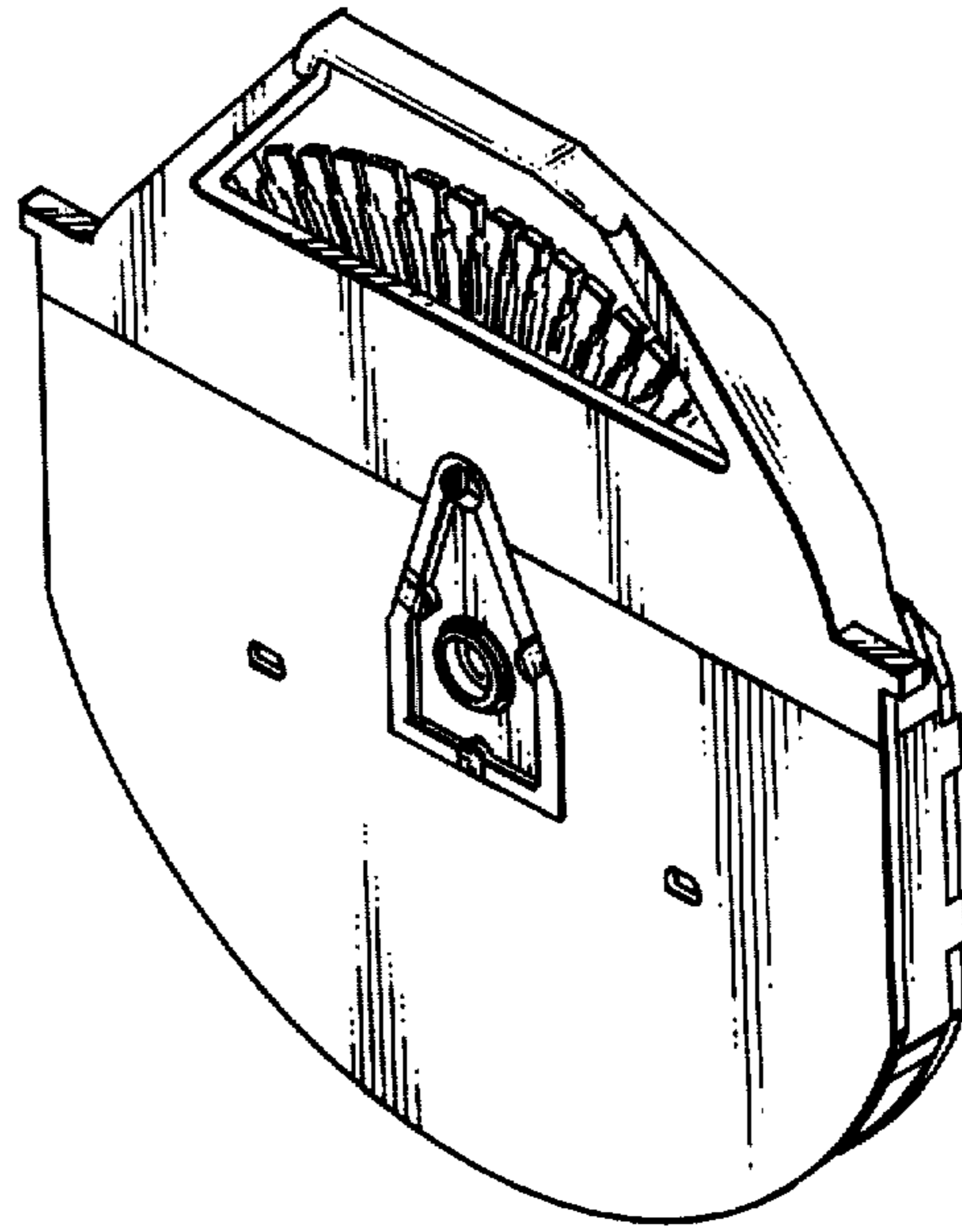


FIG. 2

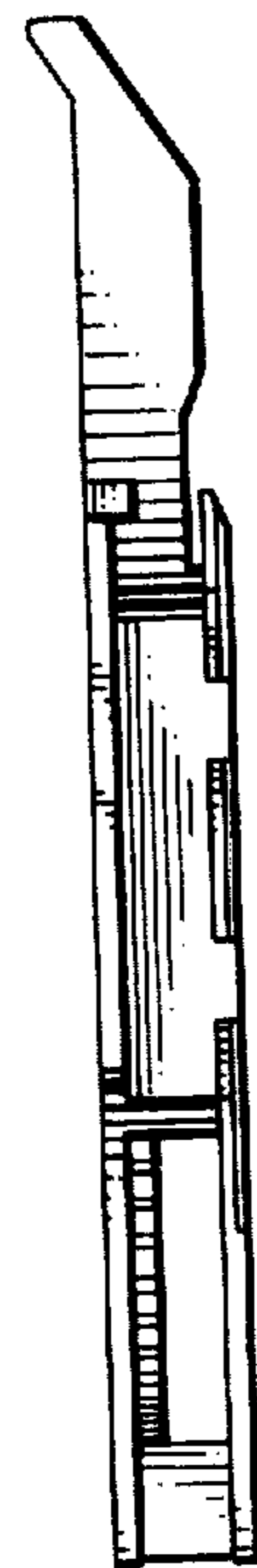


FIG. 4

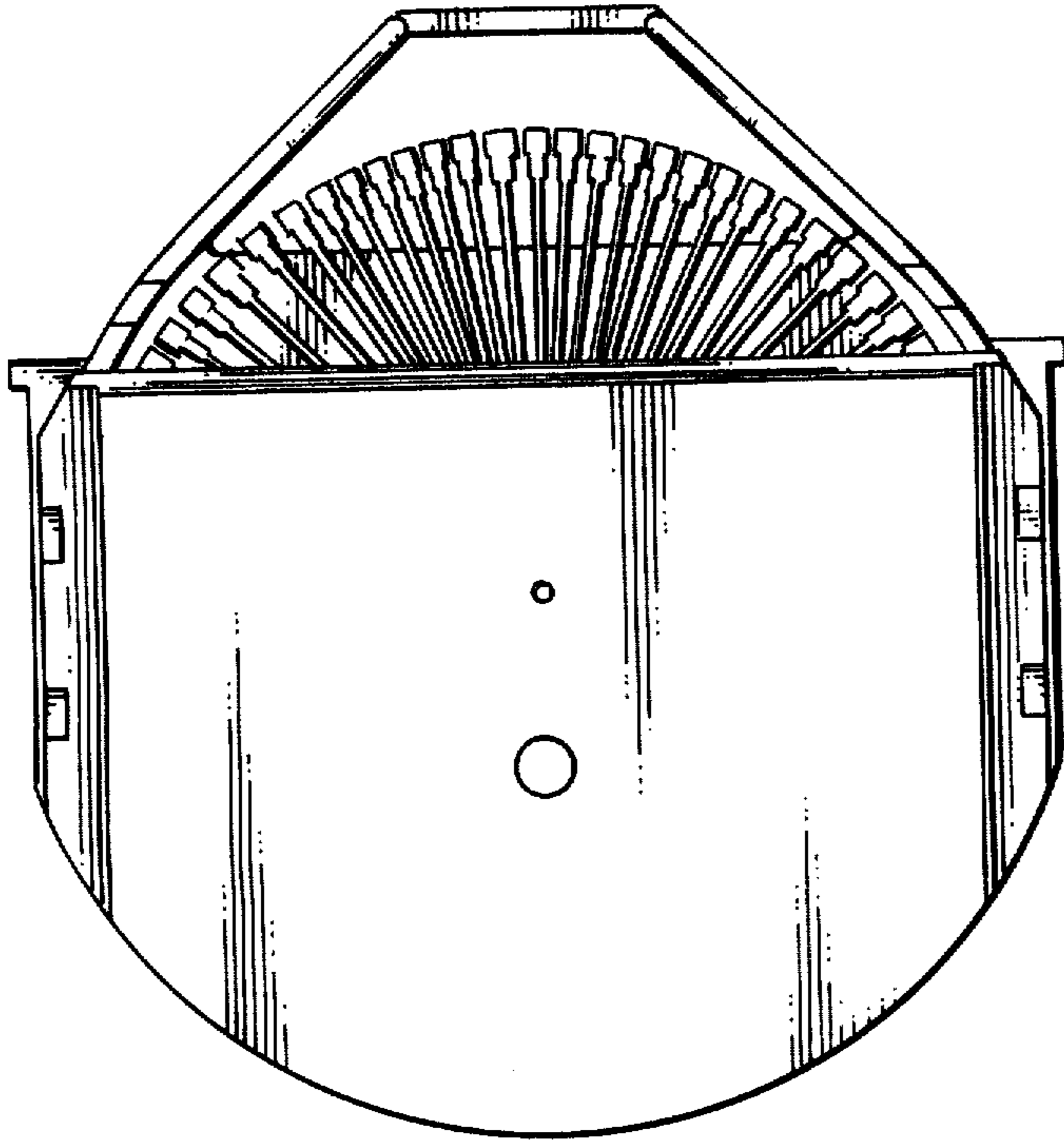


FIG. 3

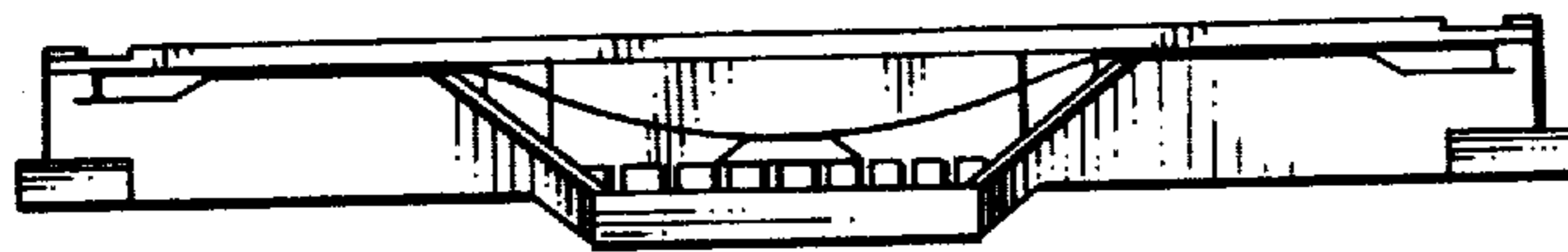


FIG. 5

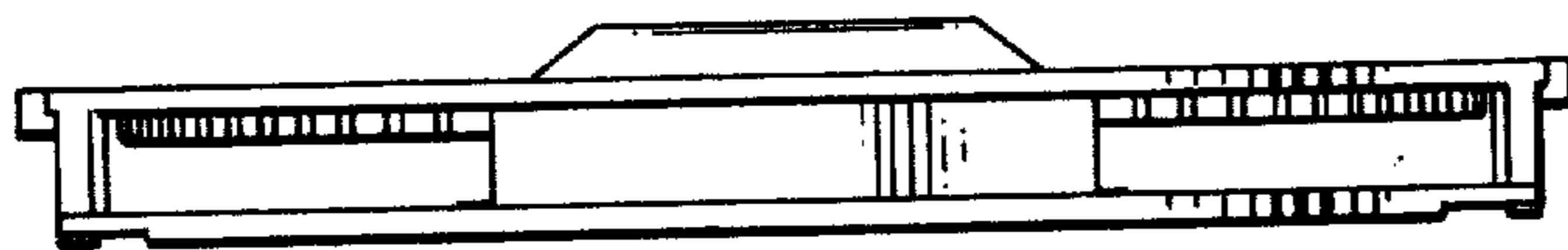


FIG. 6