

[54] CONTACT LENS AND ACCESSORY CONTAINER

[76] Inventor: William F. Crowe, 1405 Ocean Dr., Oxnard, Calif. 93030

[**] Term: 14 Years

[21] Appl. No.: 128,446

[22] Filed: Mar. 10, 1980

[51] Int. Cl. D16-99

[52] U.S. Cl. D16/129; D3/34; 206/5.1

[58] Field of Search D16/82, 83; D3/34; 206/5.1

[56] References Cited

U.S. PATENT DOCUMENTS

D. 205,014 6/1966 Le Grand D16/82

3,089,500 5/1963 Stalcup D3/34

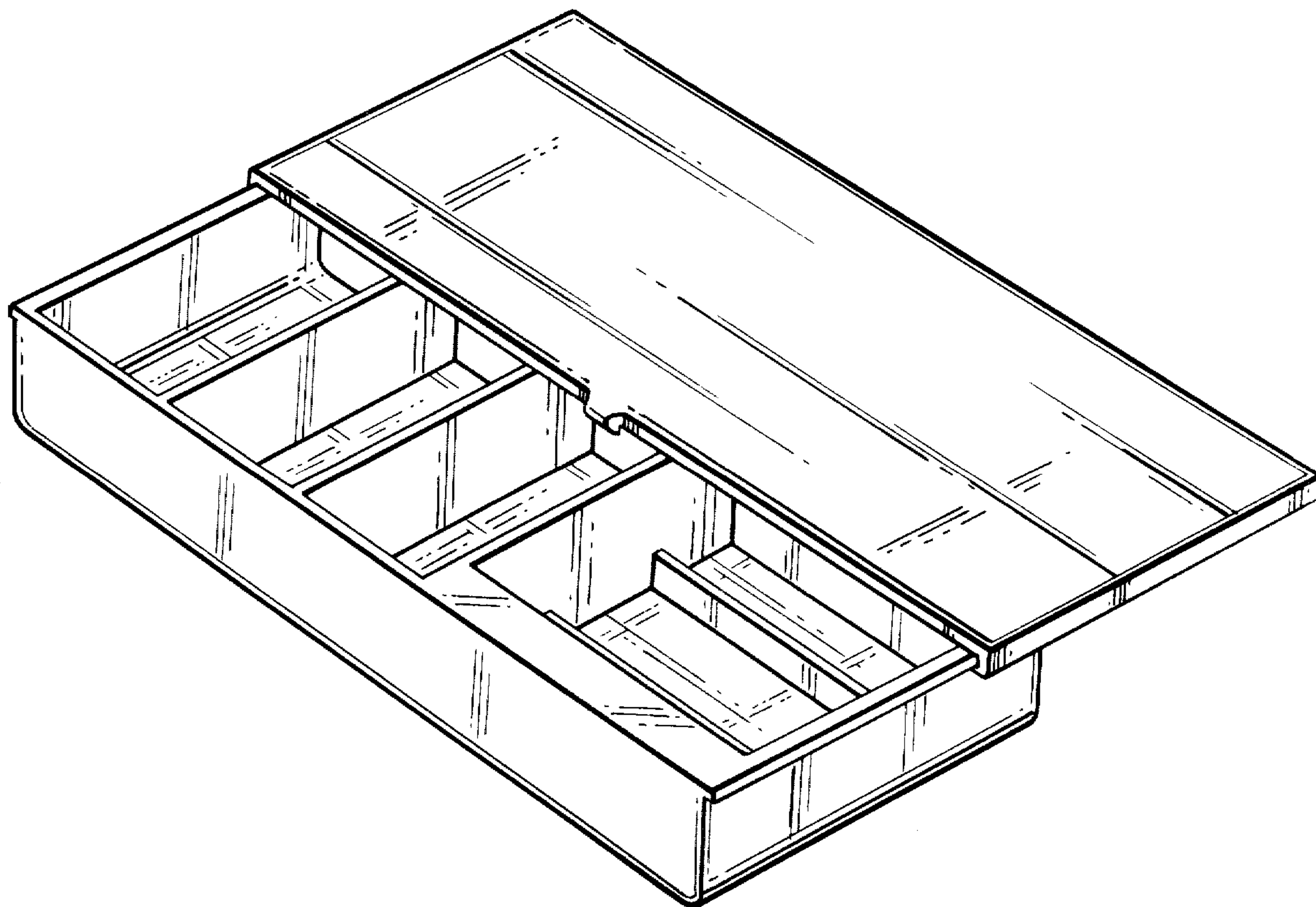
Primary Examiner—Veronica O’Keefe
Attorney, Agent, or Firm—Kenneth J. Hovet

[57] CLAIM

The ornamental design for a contact lens and accessory container, substantially as shown.

DESCRIPTION

FIG. 1 is a perspective view of a contact lens and accessory container showing my new design;
FIG. 2 is a top plan view;
FIG. 3 is a bottom plan view;
FIG. 4 is a front end elevation view;
FIG. 5 is a side elevation view;
FIG. 6 is a back end elevation view;
FIG. 7 is a cross-section view taken along lines 7—7 of FIG. 2; and,
FIG. 8 is an enlarged fragmentary cross-section view taken along lines 8—8 of FIG. 2.



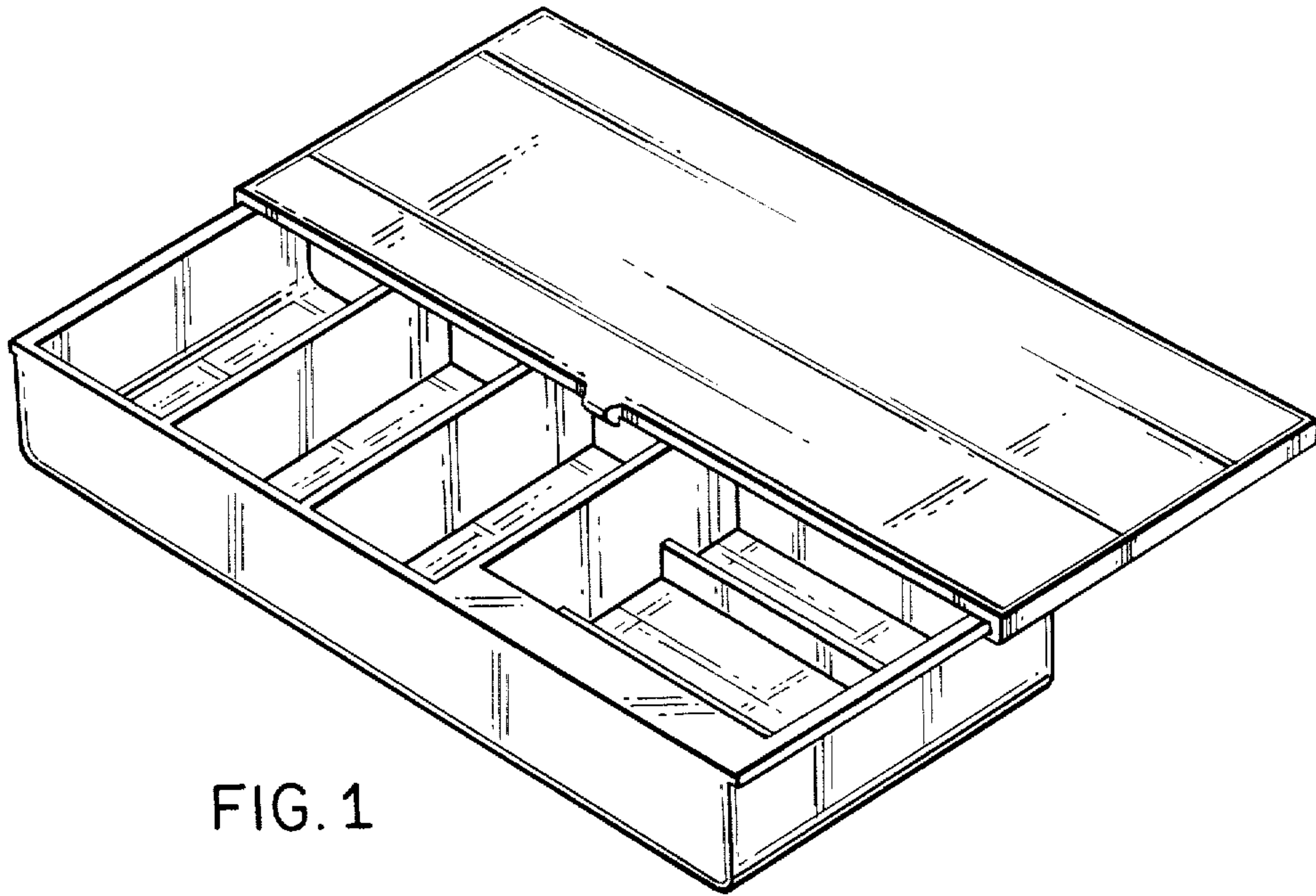


FIG. 1

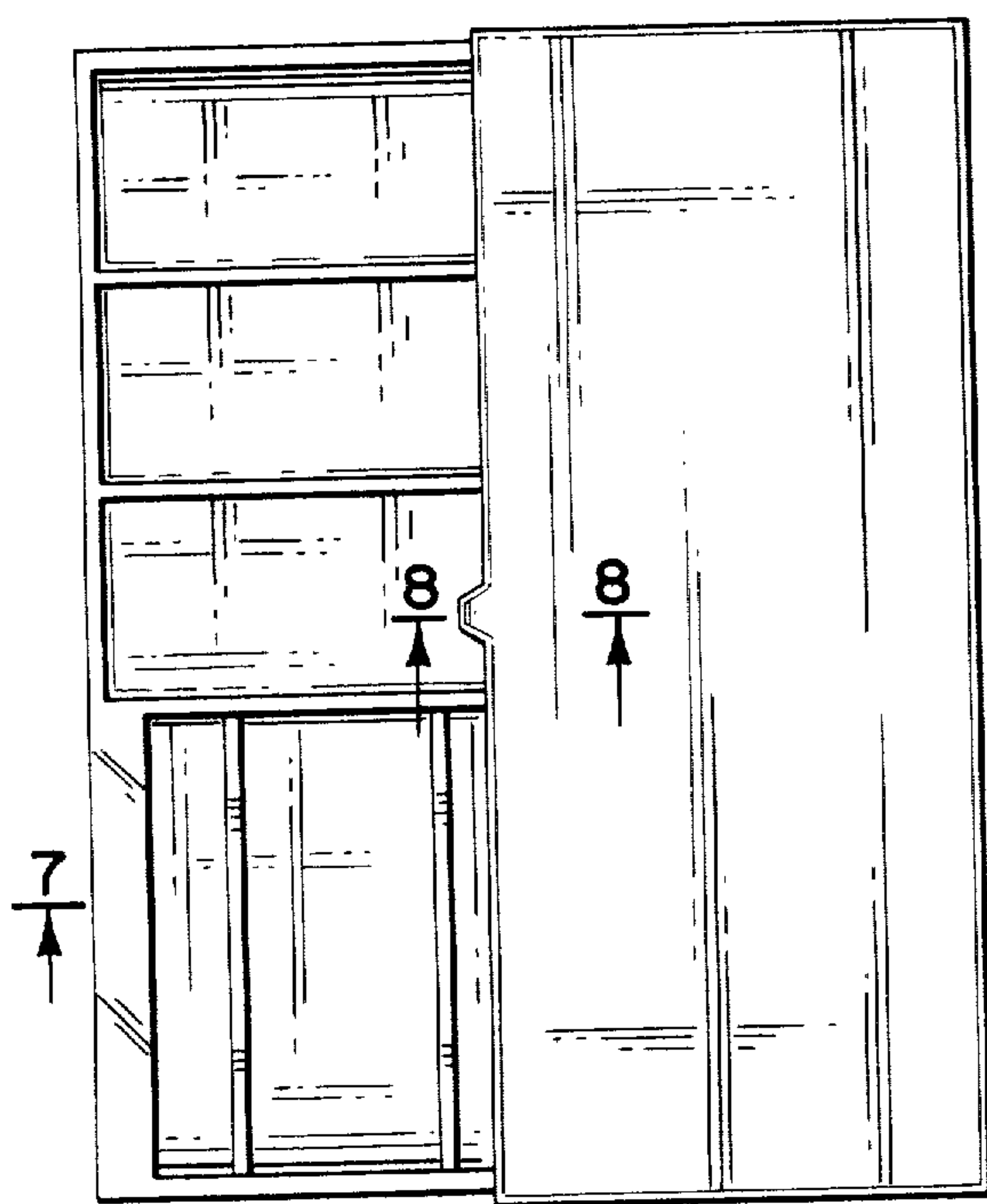


FIG. 2

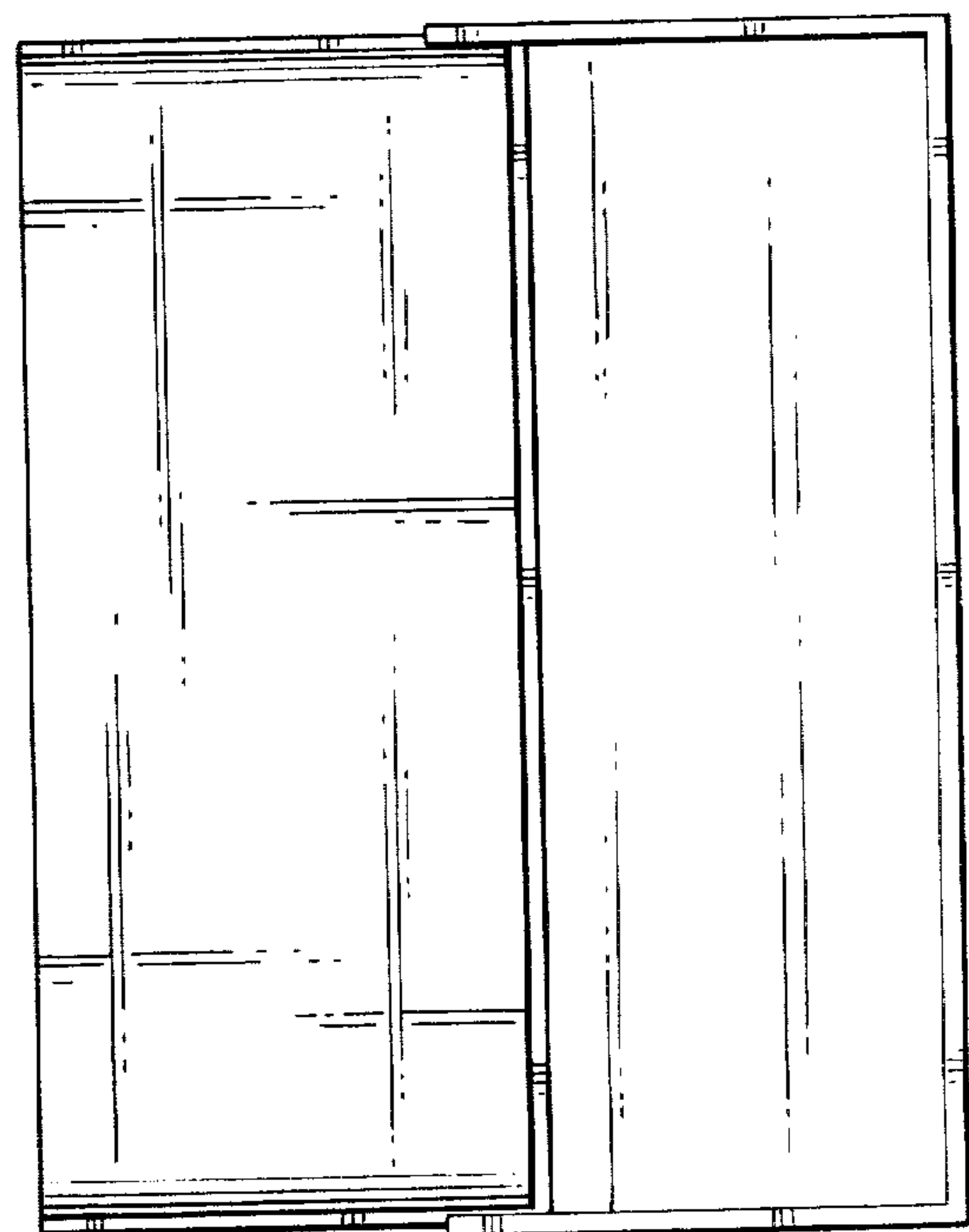


FIG. 3

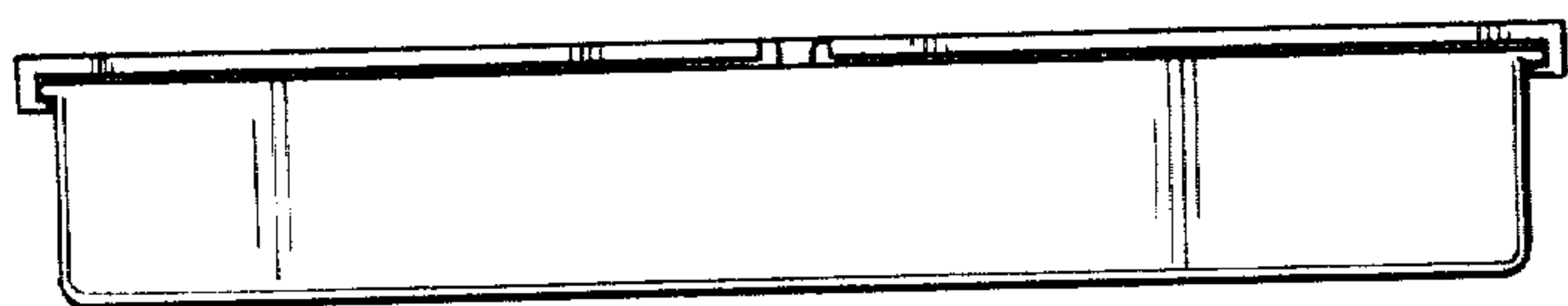


FIG. 4

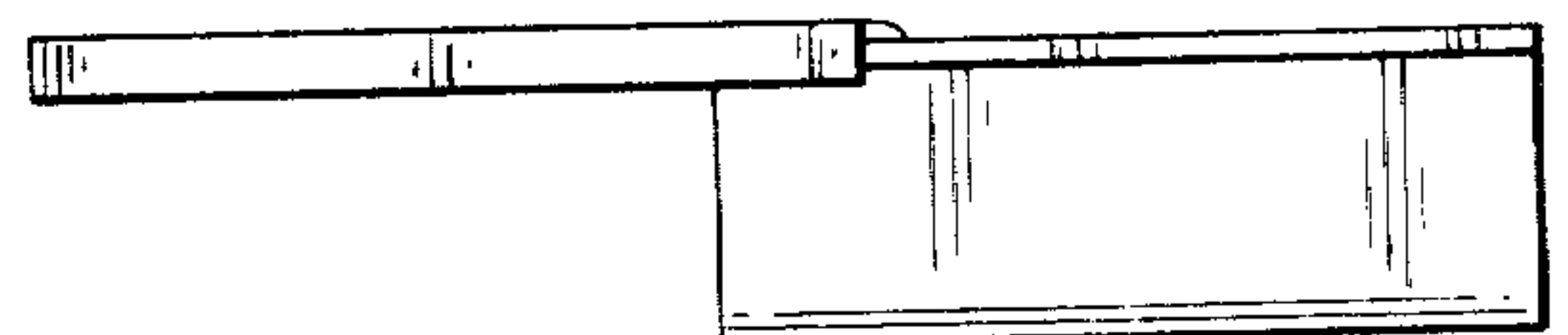


FIG. 5

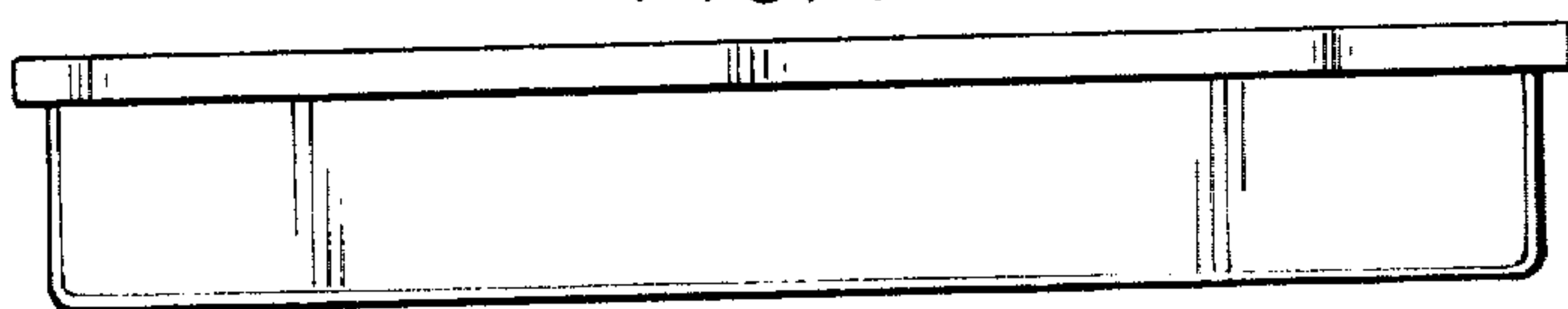


FIG. 6

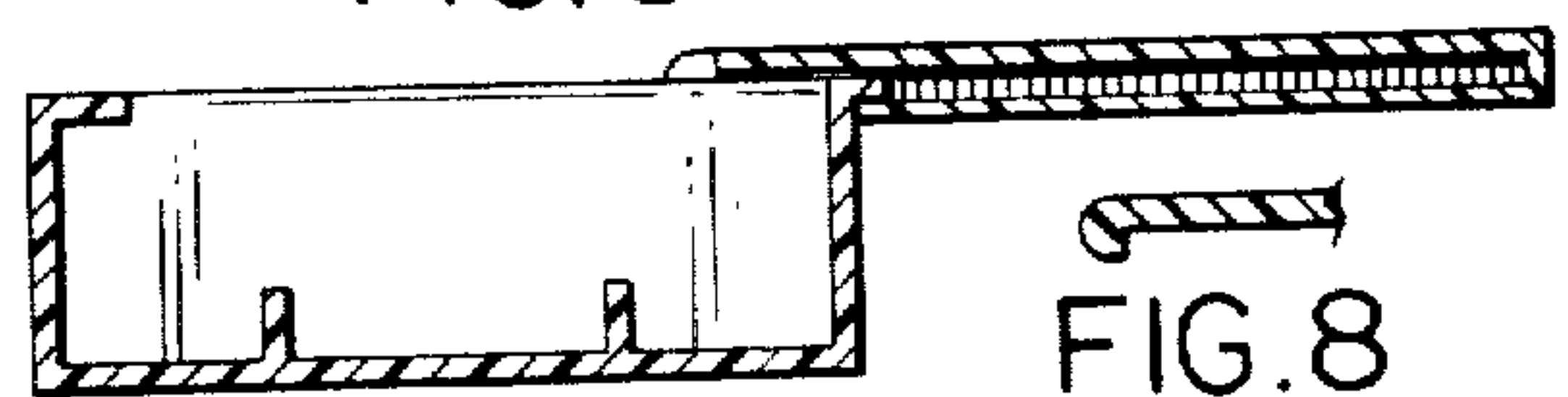


FIG. 7



FIG. 8