

[54] SEPARATOR

[76] Inventor: William L. Williams, 1900 Capri Rd., Valrico, Fla. 33594

[**] Term: 14 Years

[21] Appl. No.: 76,271

[22] Filed: Sep. 17, 1979

[51] Int. Cl. D15-09

[52] U.S. Cl. D15/147

[58] Field of Search D15/147; 209/284-286, 209/288

[56] References Cited

U.S. PATENT DOCUMENTS

100,421 3/1870 Lipp 209/284
179,229 6/1876 Smith et al. 209/288

234,033 11/1880 Hastings 209/286
436,351 9/1890 Gove 209/286
627,768 6/1899 Abbott 209/286
3,957,631 5/1976 Santo 209/288

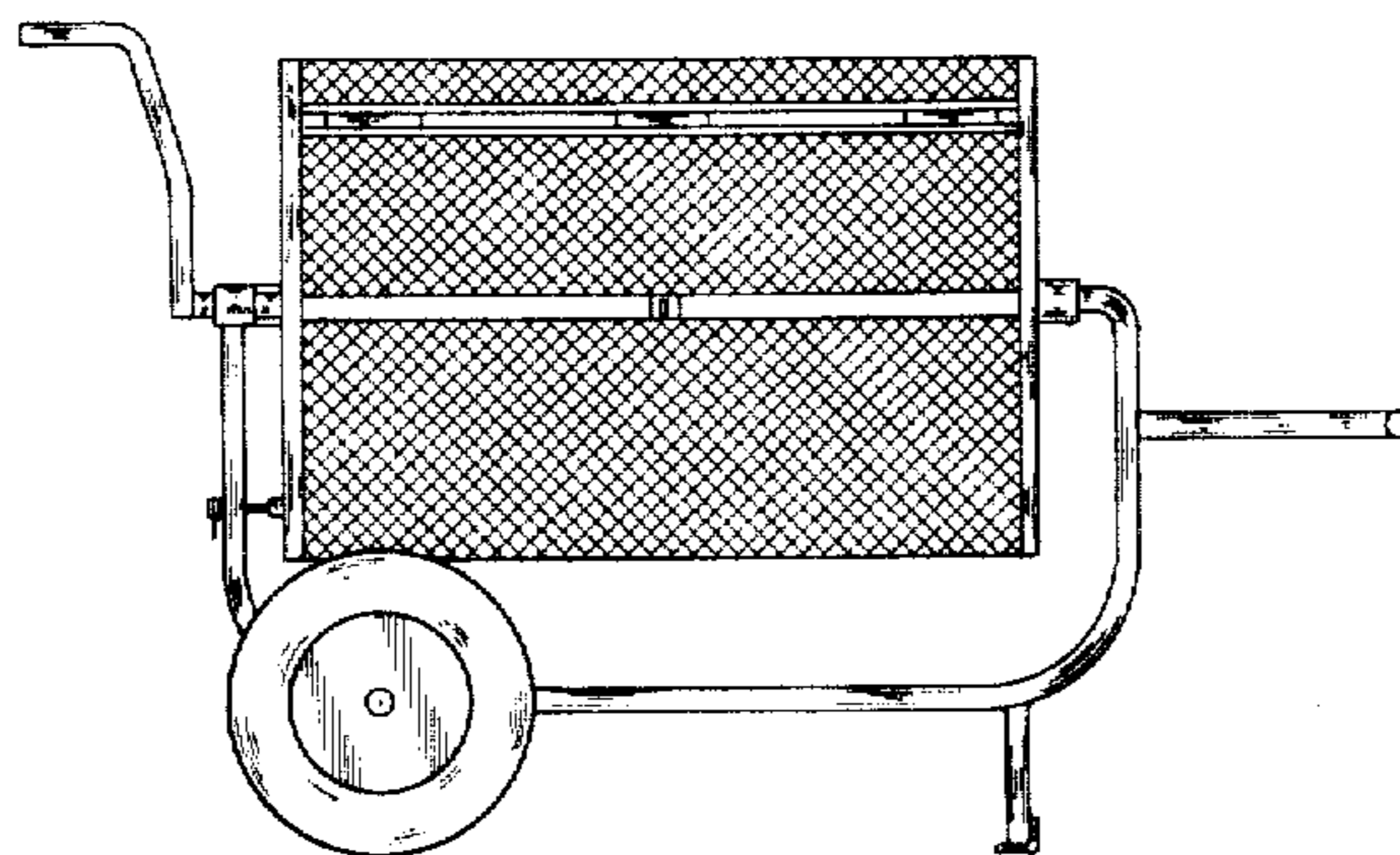
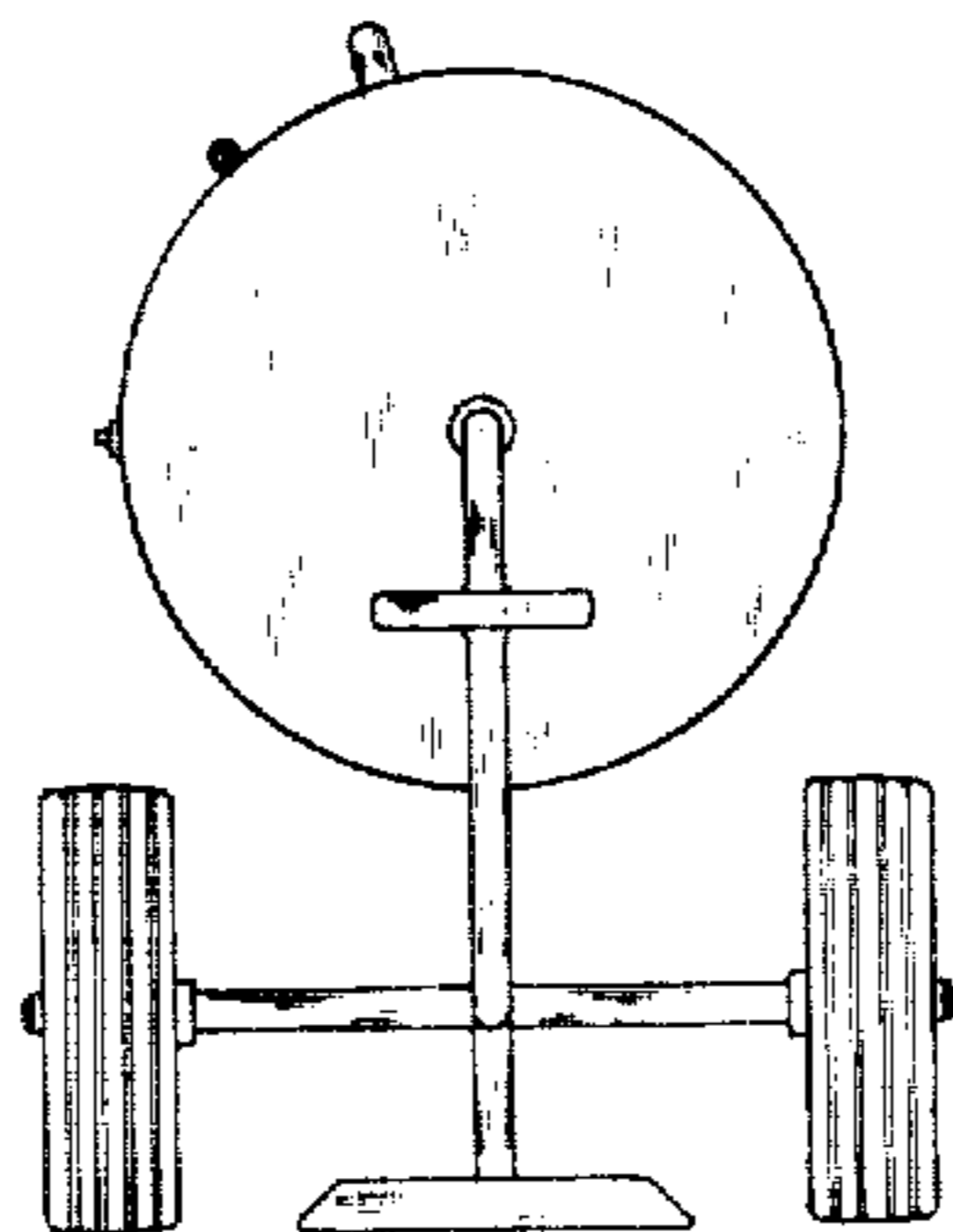
Primary Examiner—B. J. Bullock
Attorney, Agent, or Firm—Frijouf, Rust & Pyle

[57] CLAIM

The ornamental design for a separator, as shown and described.

DESCRIPTION

FIG. 1 is a front elevational view a separator showing of my new design;
FIG. 2 is a rear elevational view thereof;
FIG. 3 is a side elevational view thereof; the side opposite being a mirror image except for the screening of the drum which is uninterrupted; and
FIG. 4 is a plan view thereof.



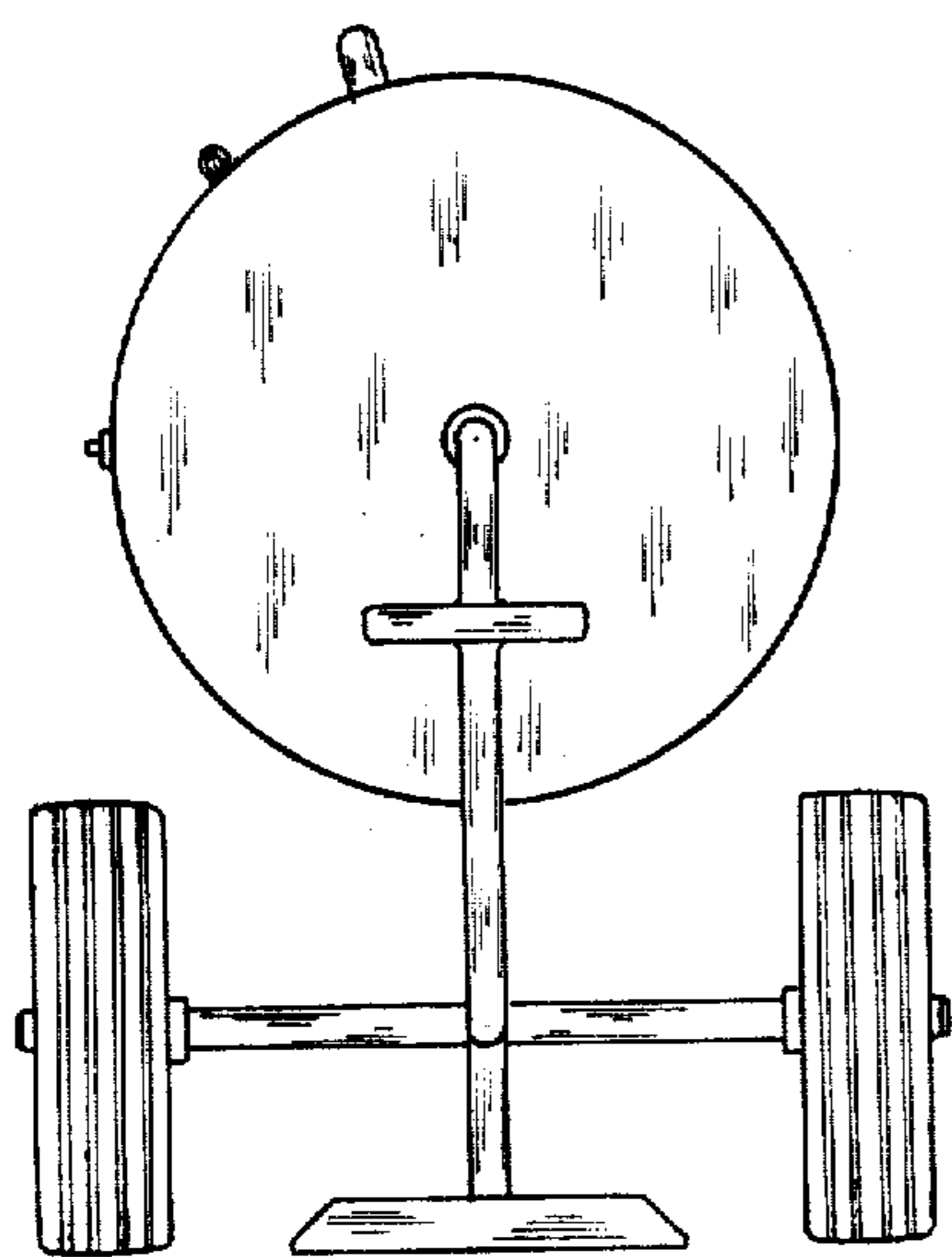


FIG. 1

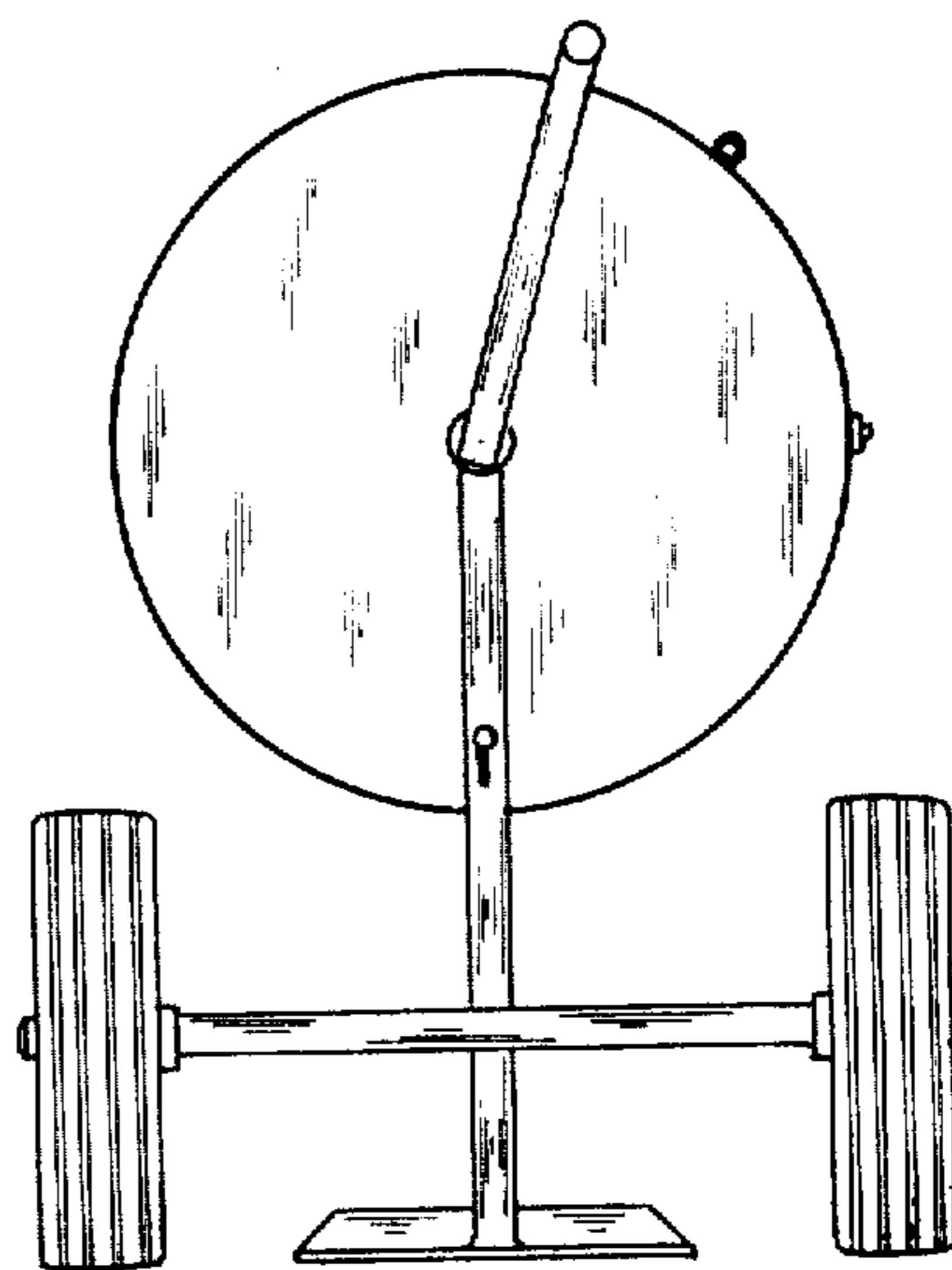


FIG. 2

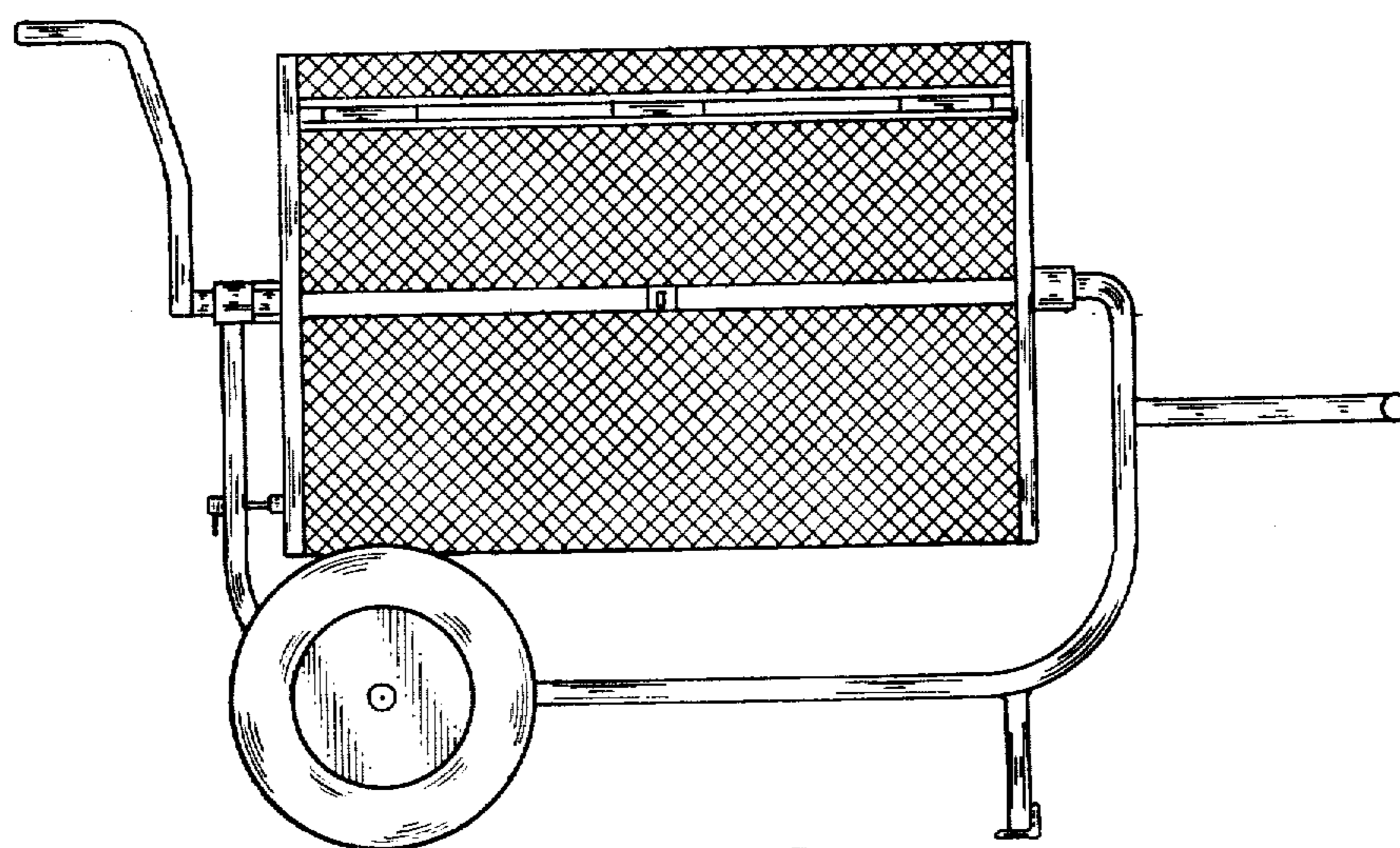


FIG. 3

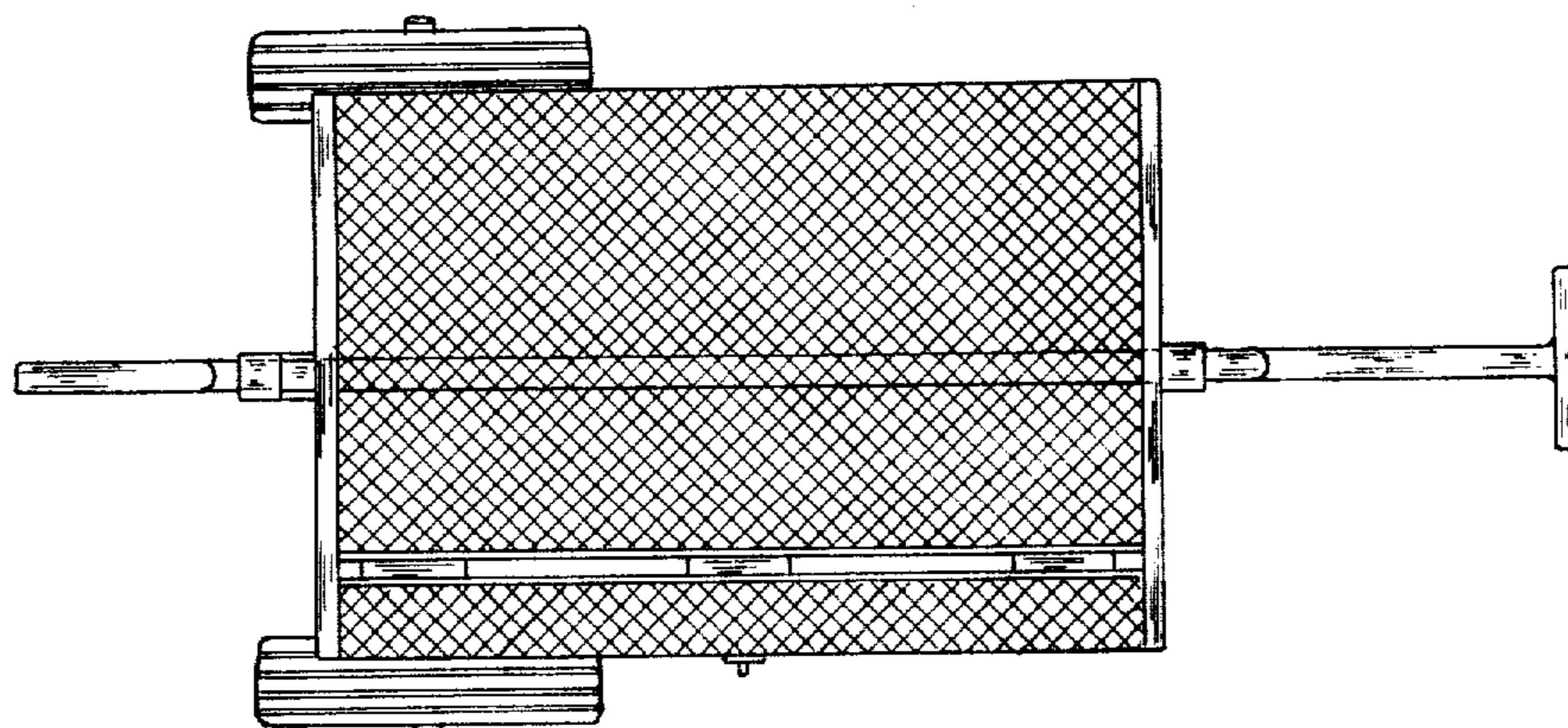


FIG. 4