

[54] PROJECTION TELEVISION CABINET
[76] Inventor: Muzaffer Coban, 3106 W. Thomas Rd., Suite 1101, Phoenix, Ariz. 85017
[**] Term: 14 Years
[21] Appl. No.: 23,839
[22] Filed: Mar. 26, 1979
[51] Int. Cl. D14-03
[52] U.S. Cl. D14/79; D6/167; D14/83
[58] Field of Search D6/158, 167; D14/18, D14/77, 79, 82-84, 99; 312/7 TV; 358/254

[56] References Cited
U.S. PATENT DOCUMENTS
D. 236,056 7/1975 Lemon D6/158
D. 247,176 2/1978 Girson et al. D14/83
2,466,338 4/1949 Traub D14/79

3,943,282 3/1976 Muntz D14/79
3,944,734 3/1976 Ogawa D14/84
4,209,807 6/1980 Arita 312/7 TV X

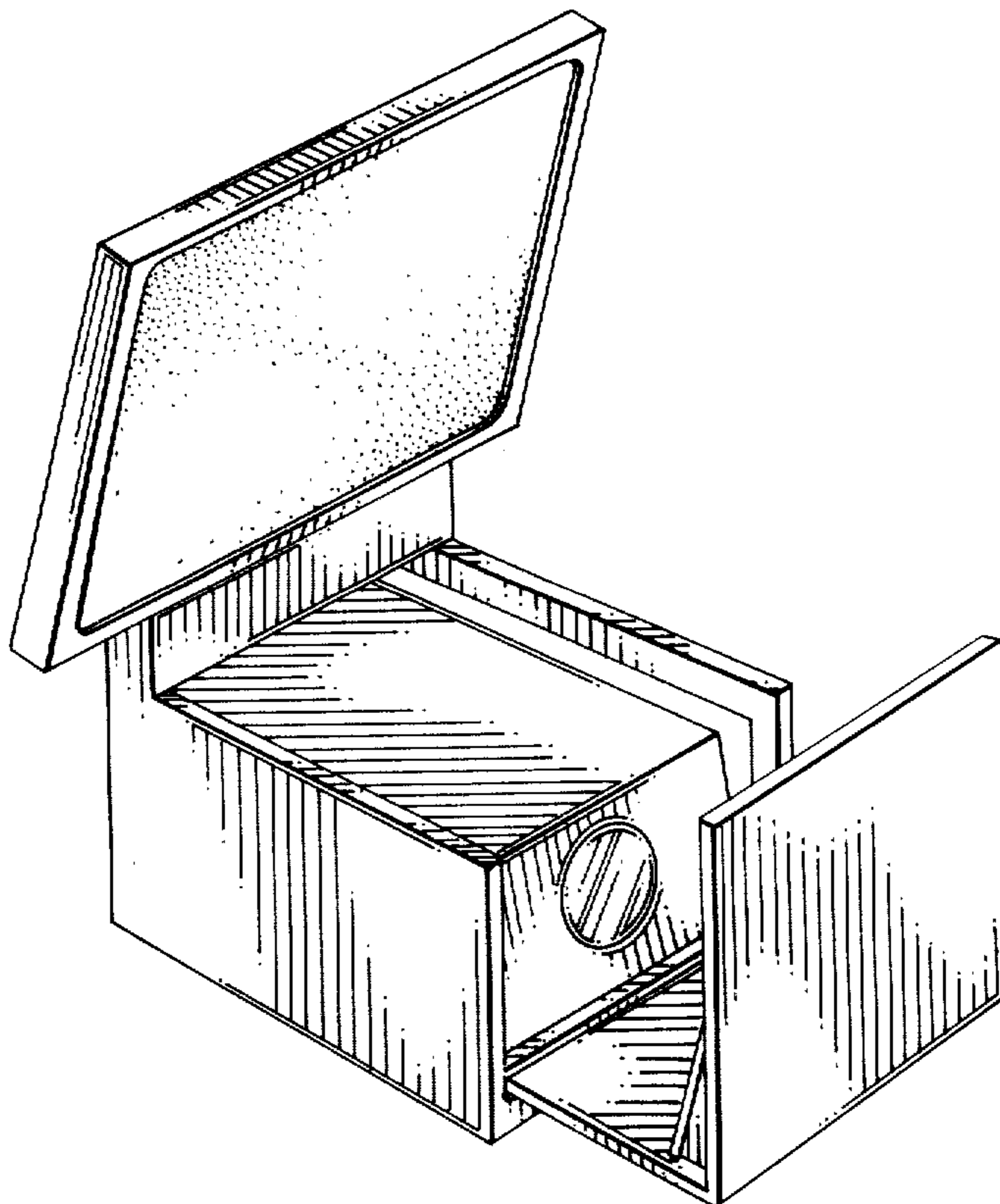
Primary Examiner—Jane E. Corrigan
Attorney, Agent, or Firm—H. Gordon Shields

[57] CLAIM

The ornamental design for projection television cabinet, as shown and described.

DESCRIPTION

FIG. 1 is a front, top and left side perspective view of a projection television cabinet showing my new design; FIG. 2 is a rear, bottom and right side perspective view; FIG. 3 is a front elevational view; FIG. 4 is a left side elevational view; FIG. 5 is a view similar to FIG. 1 of the cabinet in open position; FIG. 6 is a view similar to FIG. 4 thereof; and FIG. 7 is a view similar to FIG. 2 thereof.



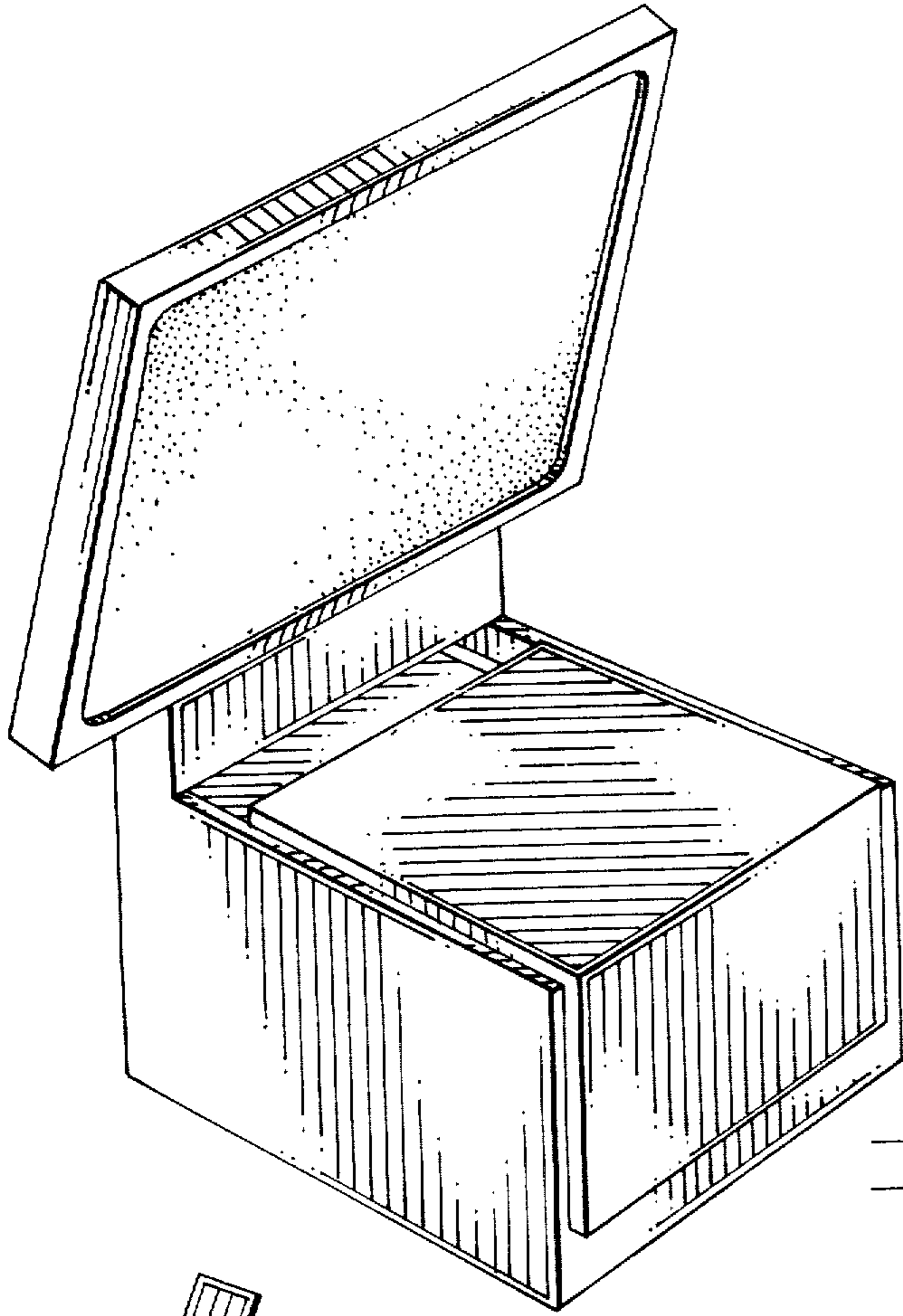


FIG. 1

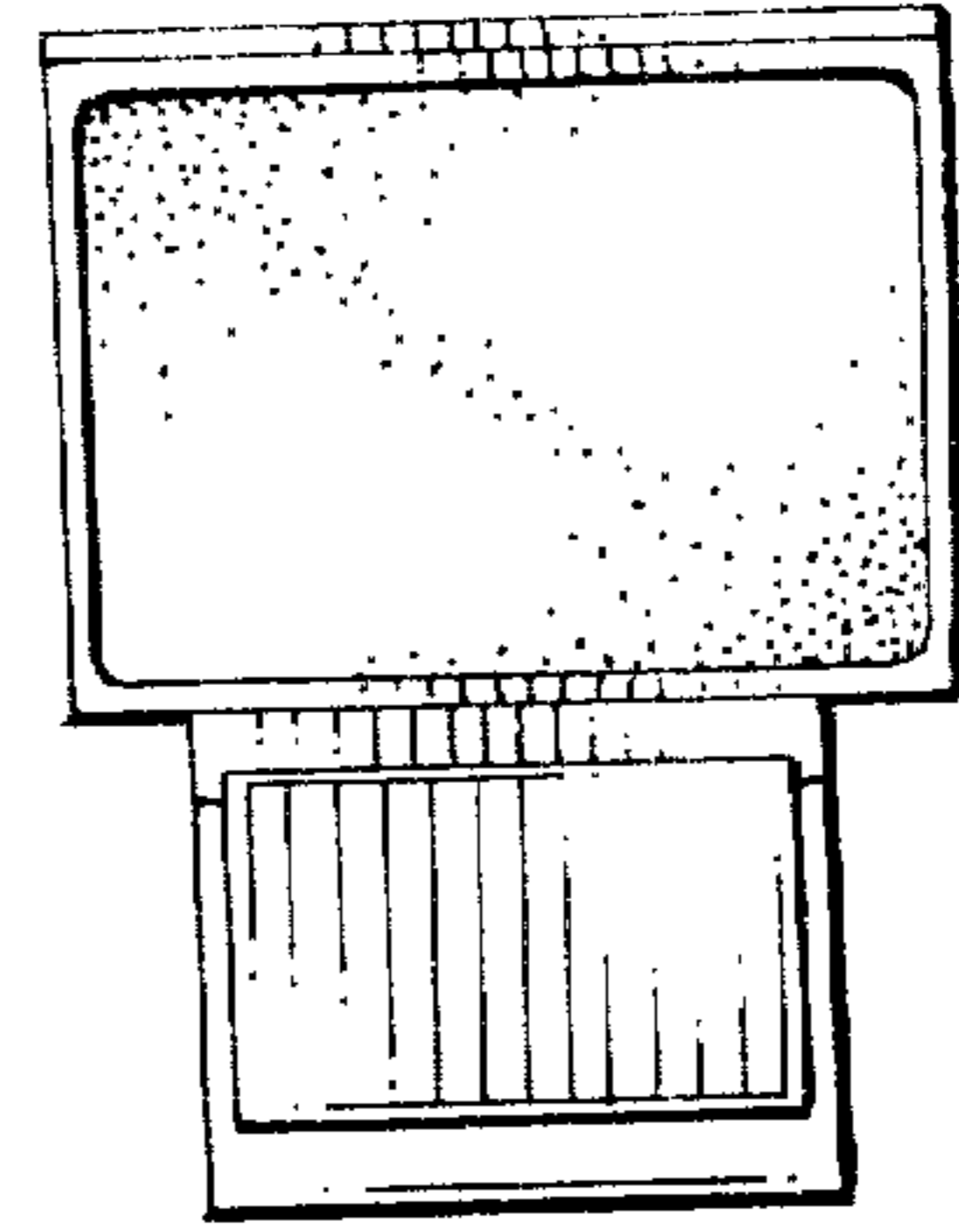


FIG. 3

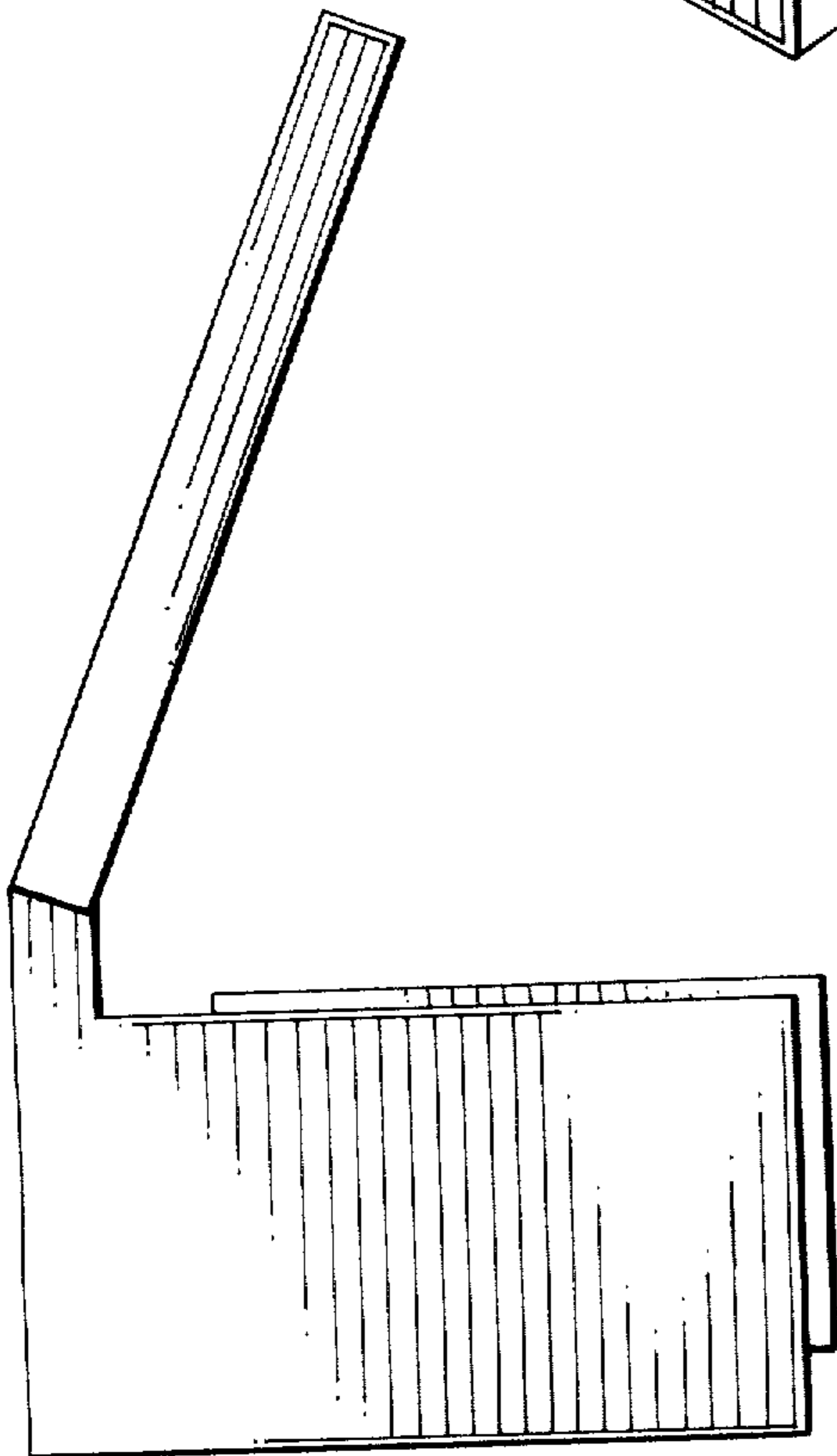


FIG. 4

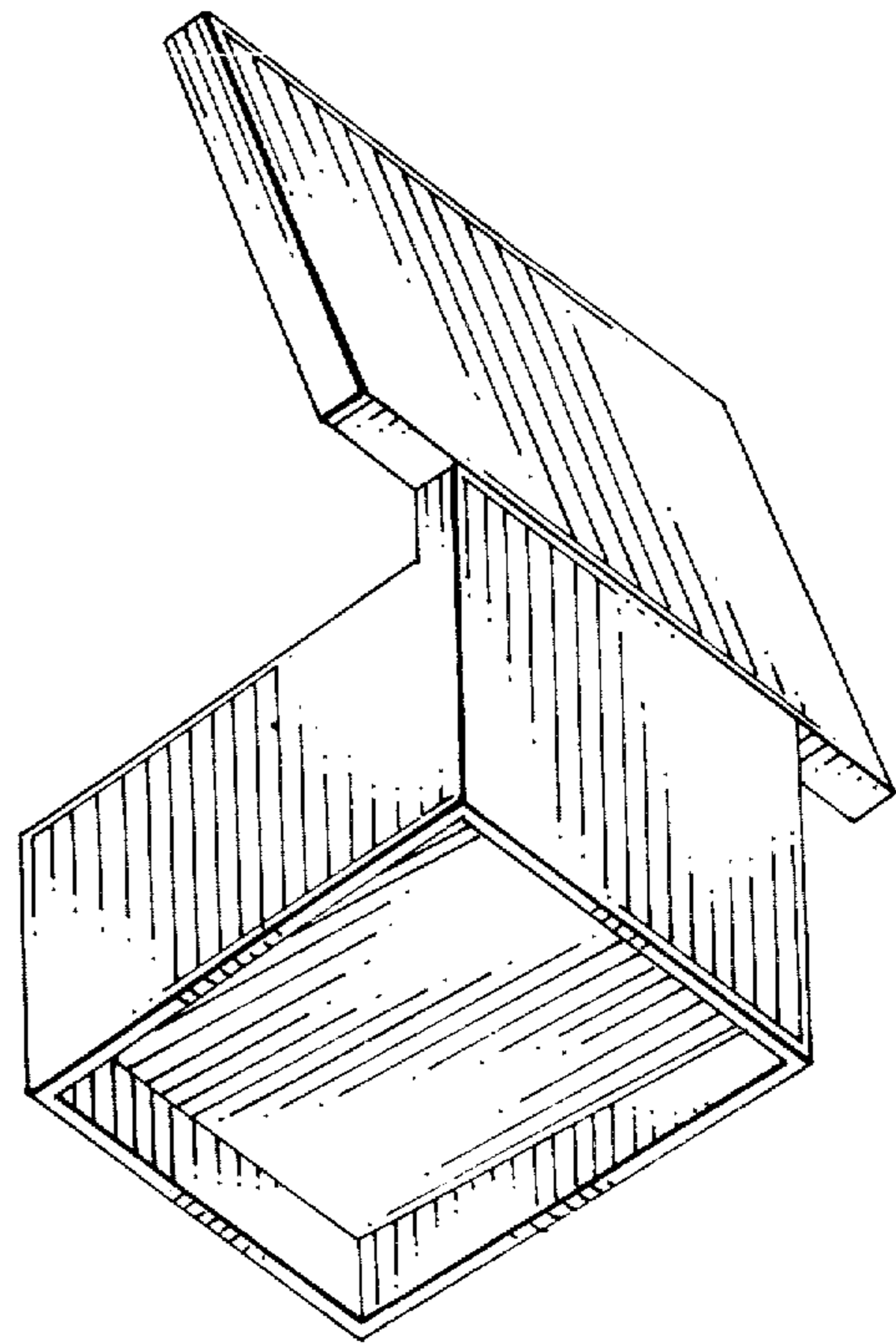


FIG. 2

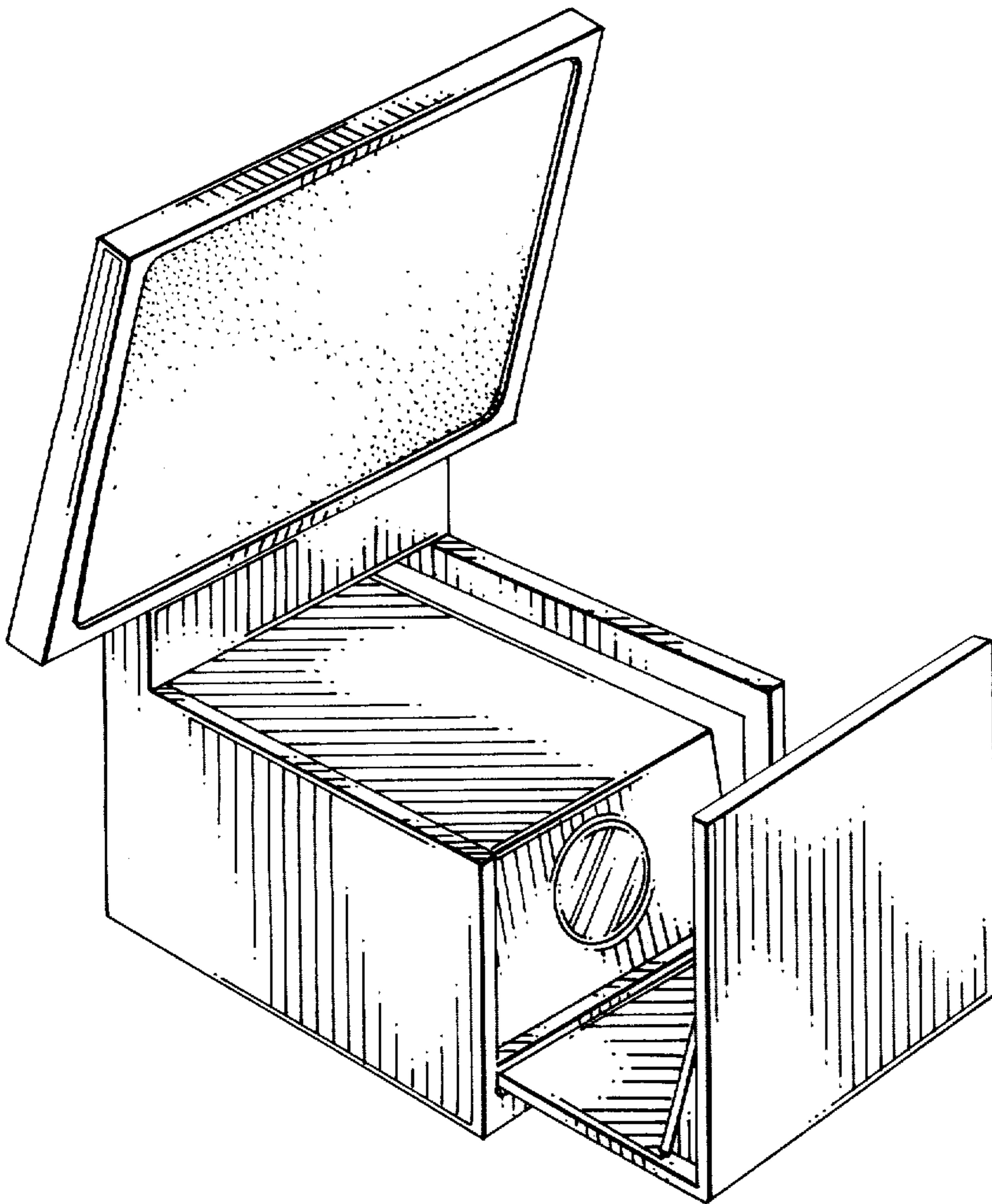


FIG. 5

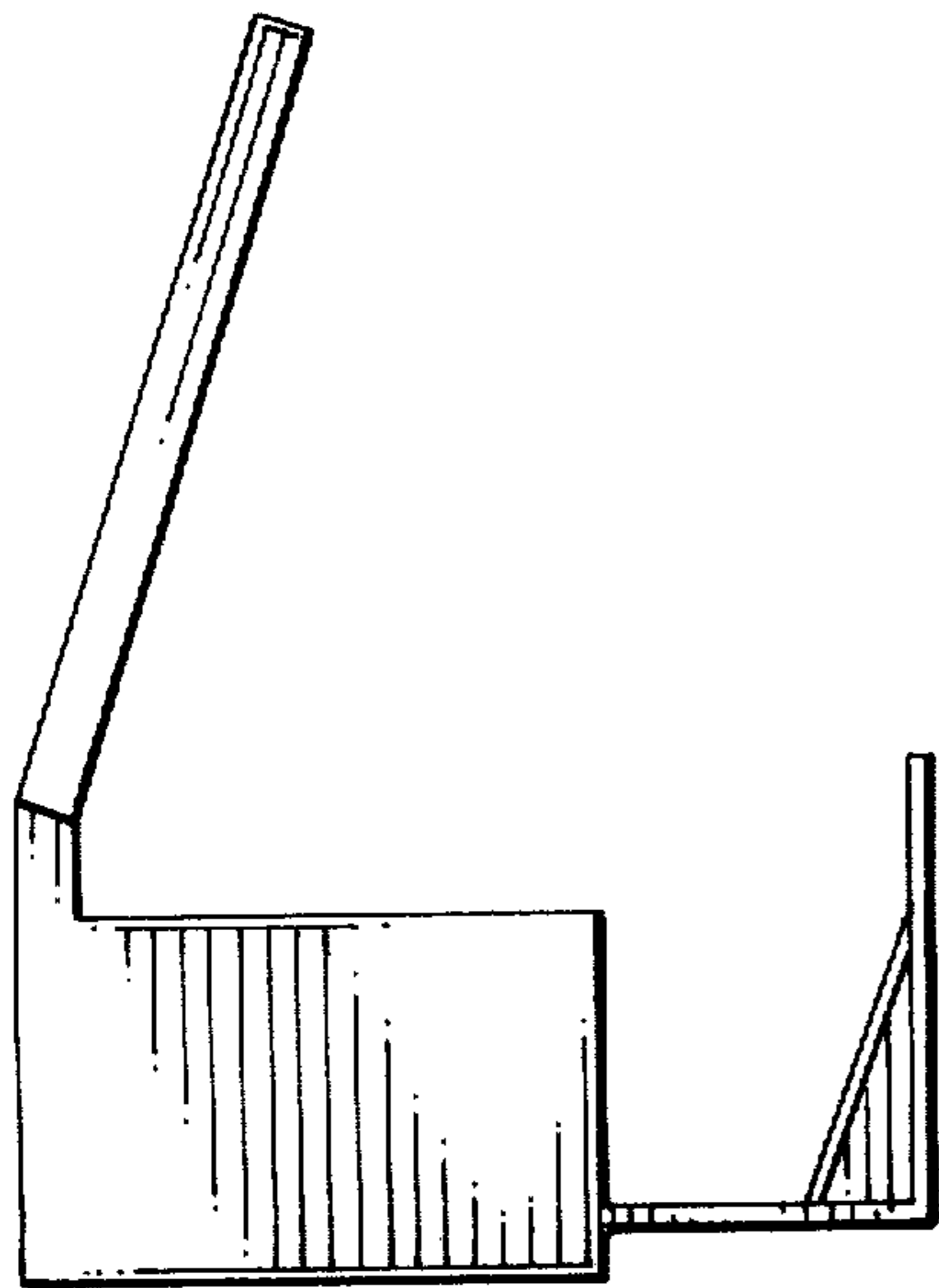


FIG. 6

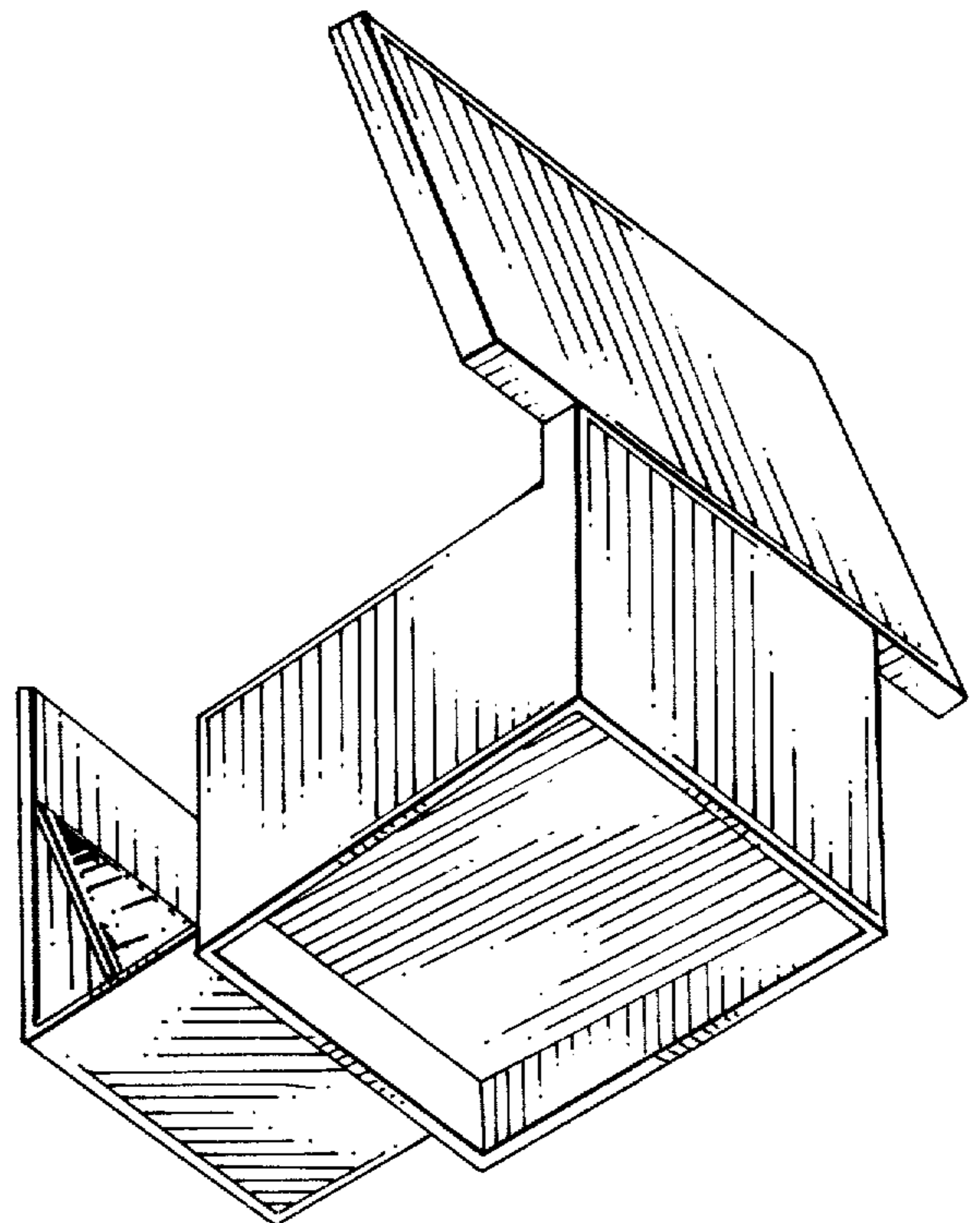


FIG. 7