

[54] TELEPHONE UNIT

[75] Inventors: Ryoji Yamaguchi, Kokubunji; Noboru Mihara, Mitaka, both of Japan

[73] Assignee: Iwatsu Electric Co., Ltd., Tokyo, Japan

[**] Term: 14 Years

[21] Appl. No.: 79,428

[22] Filed: Sep. 27, 1979

[30] Foreign Application Priority Data

Apr. 20, 1979 [JP] Japan 54-16254
Apr. 20, 1979 [JP] Japan 54-16255

[51] Int. Cl. D14-03

[52] U.S. Cl. D14/53; D14/58

[58] Field of Search D14/53, 60, 58; 179/100 R, 100 D, 100 C, 178, 179

[56] References Cited

U.S. PATENT DOCUMENTS

- D. 237,091 10/1975 Blumenau D14/53
D. 248,300 6/1978 Hirasawa et al. D14/53
D. 248,649 7/1978 Breger D14/53
D. 257,772 1/1981 Fukutani D14/53
3,217,254 11/1965 Hughes et al. D14/53

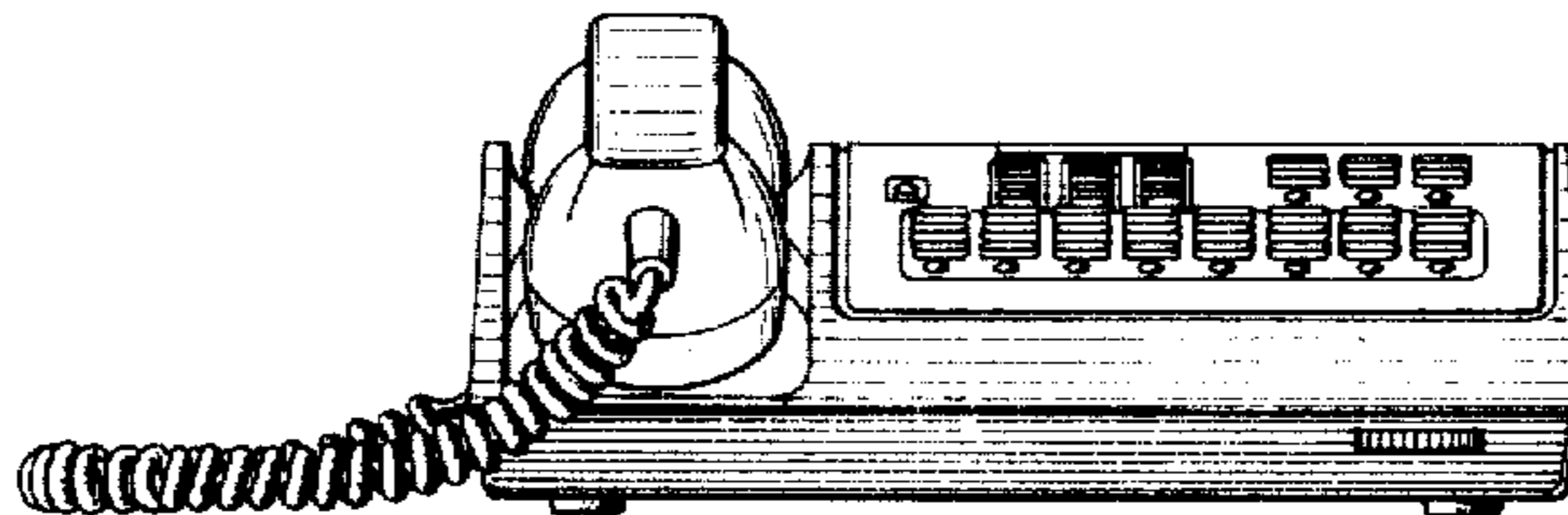
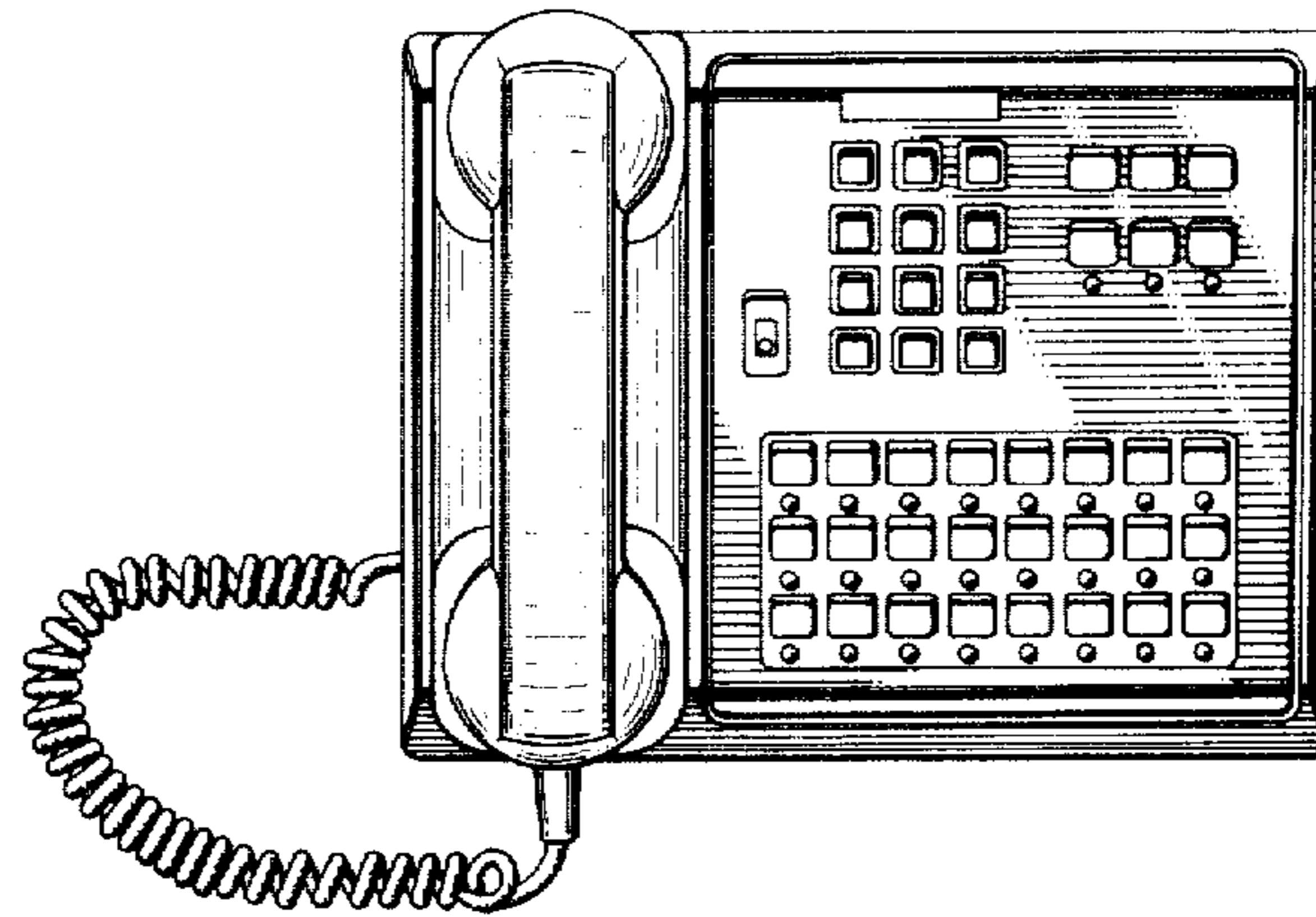
Primary Examiner—Bernard Ansher
Attorney, Agent, or Firm—Oblon, Fisher, Spivak, McClelland & Maier

[57] CLAIM

The ornamental design for a telephone unit, as shown and described.

DESCRIPTION

FIG. 1 is a top plan view of a telephone unit showing my new design;
FIG. 2 is a front elevational view thereof;
FIG. 3 is a bottom plan view thereof;
FIG. 4 is a rear elevation view thereof;
FIG. 5 is a right side view thereof;
FIG. 6 is a left side view thereof; and
FIG. 7 is a top plan view of an alternate embodiment of the telephone unit illustrated in FIG. 1.



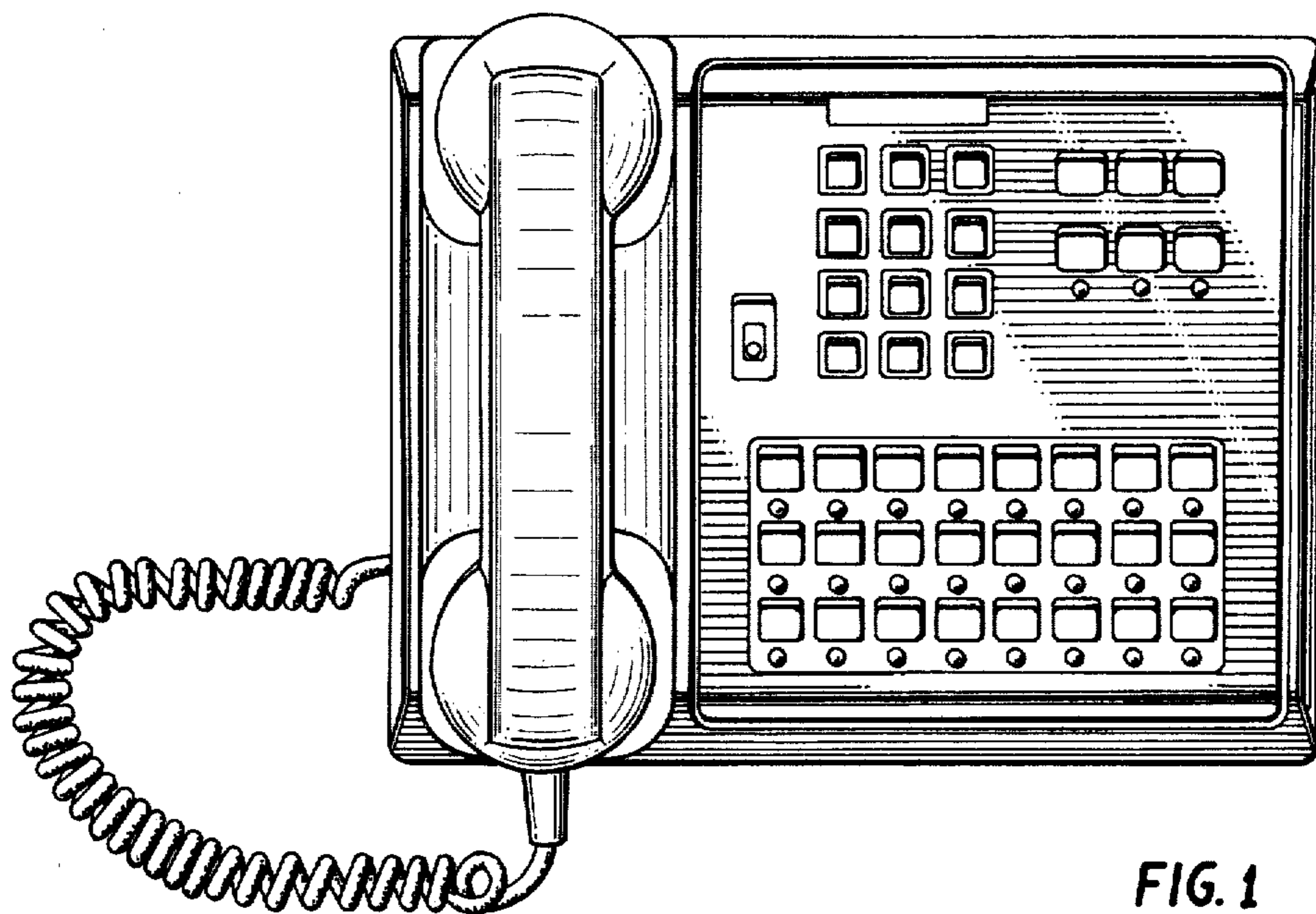


FIG. 1

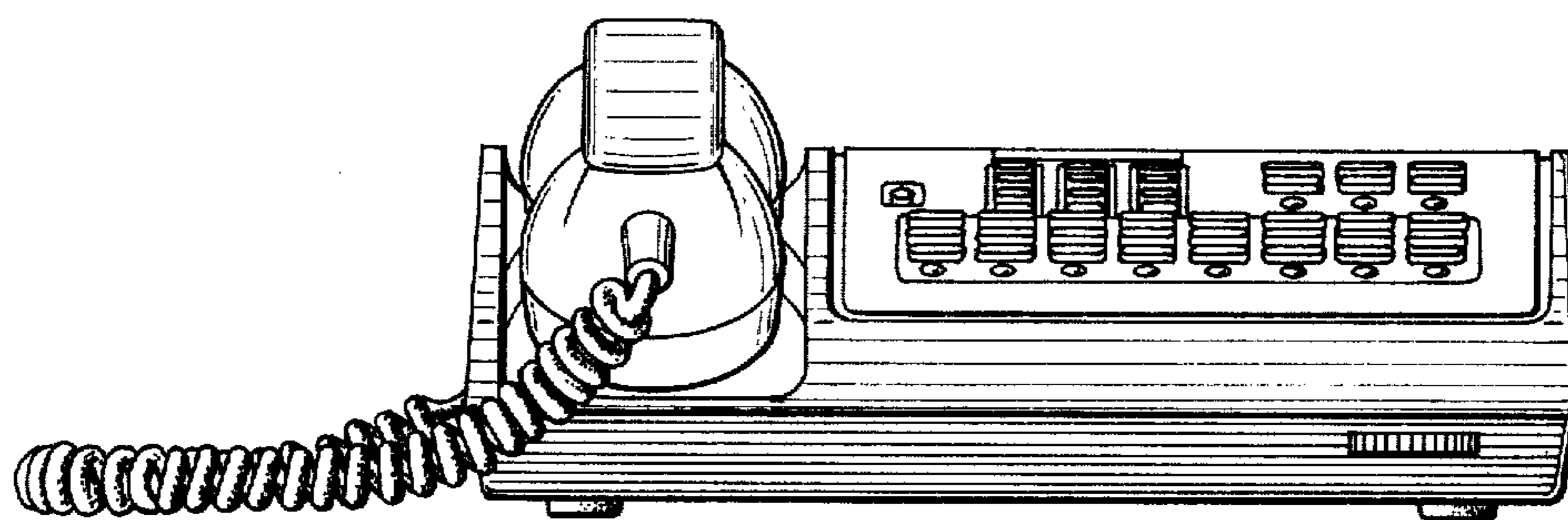
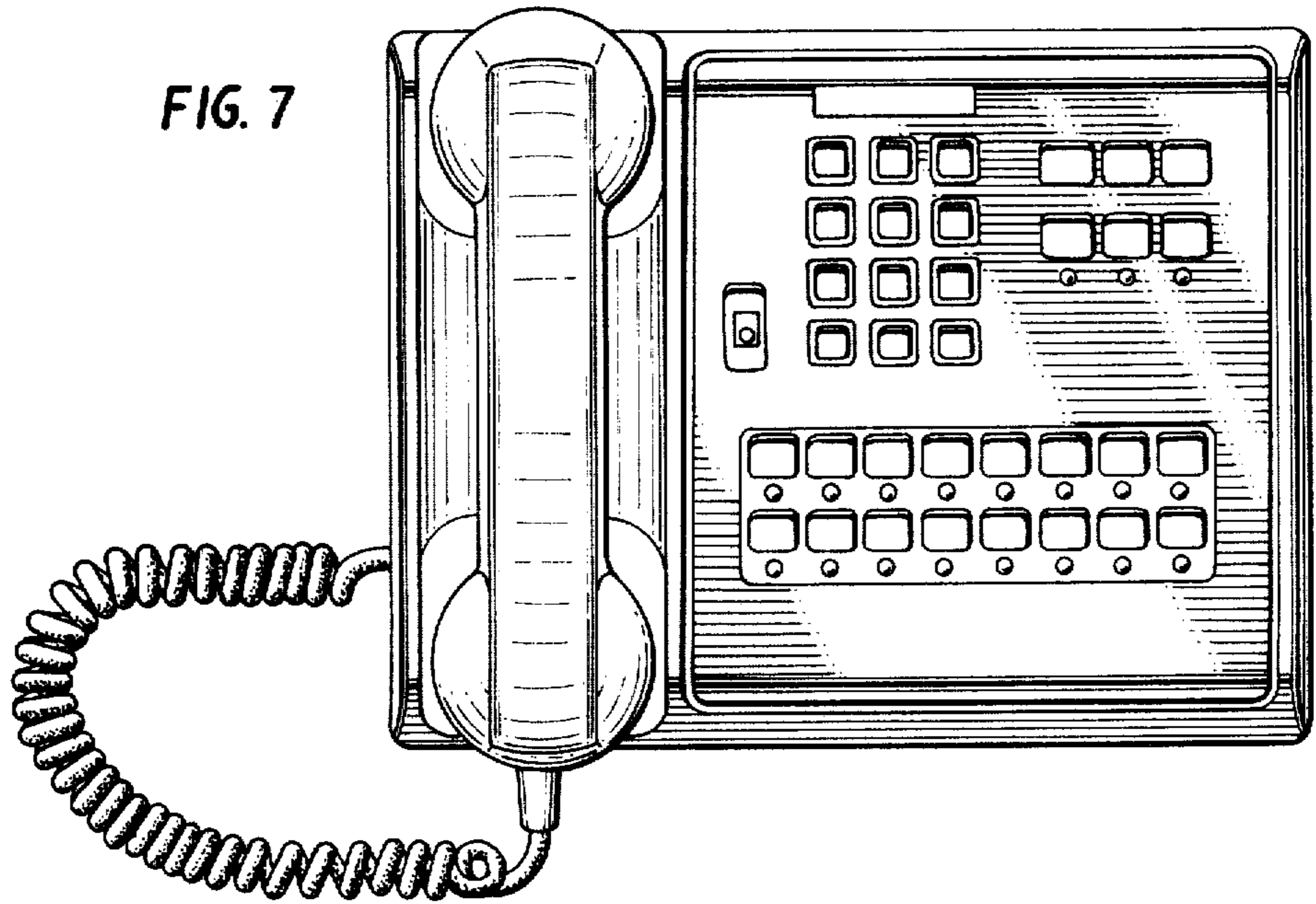
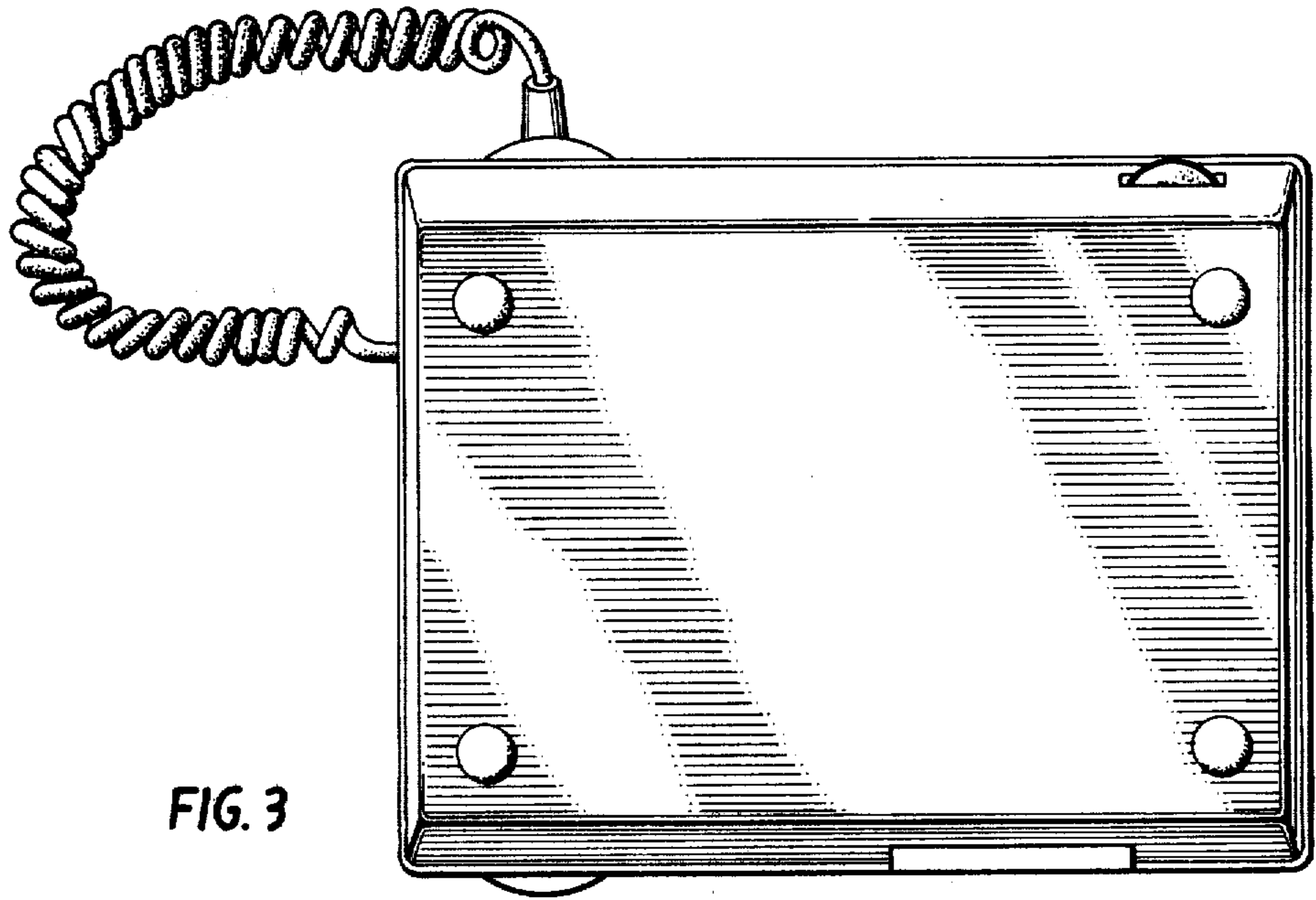


FIG. 2



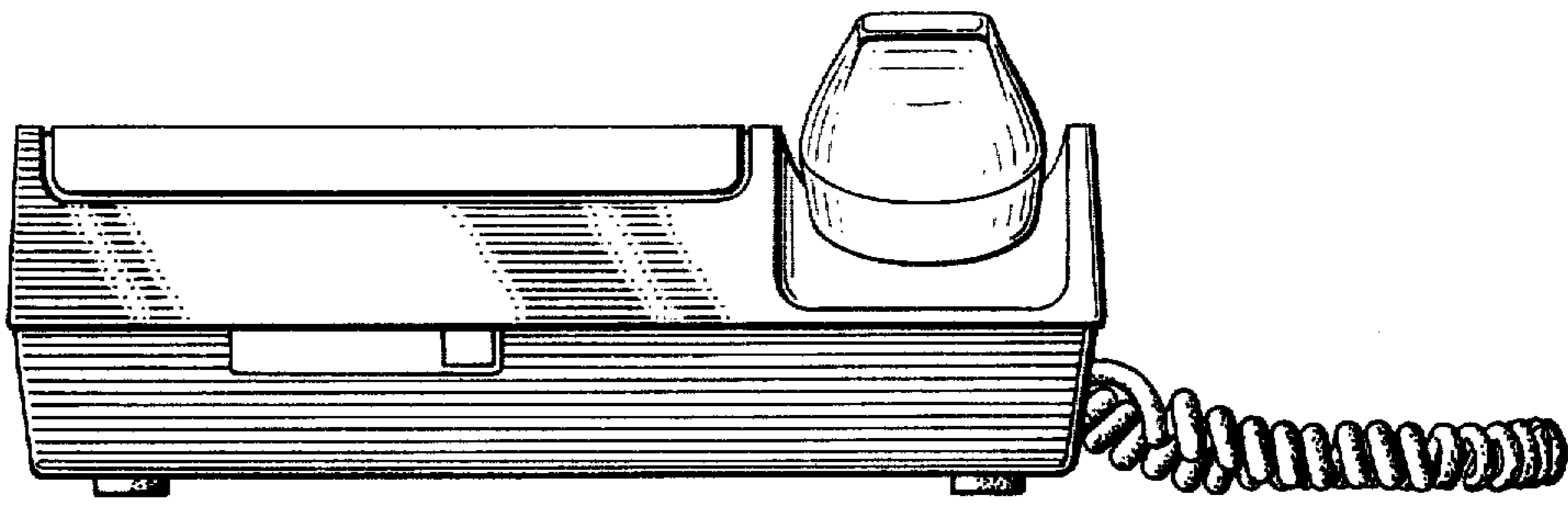


FIG. 4

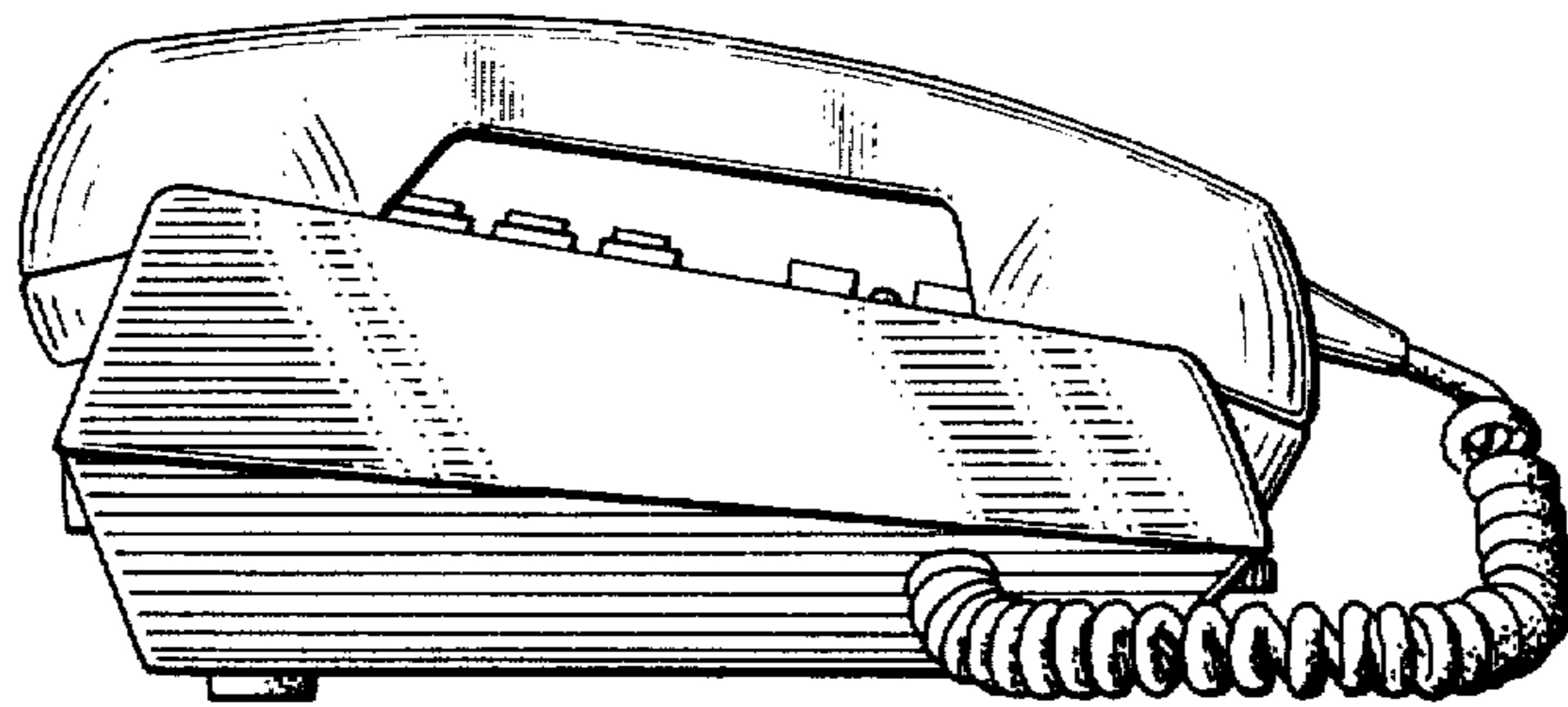


FIG. 5

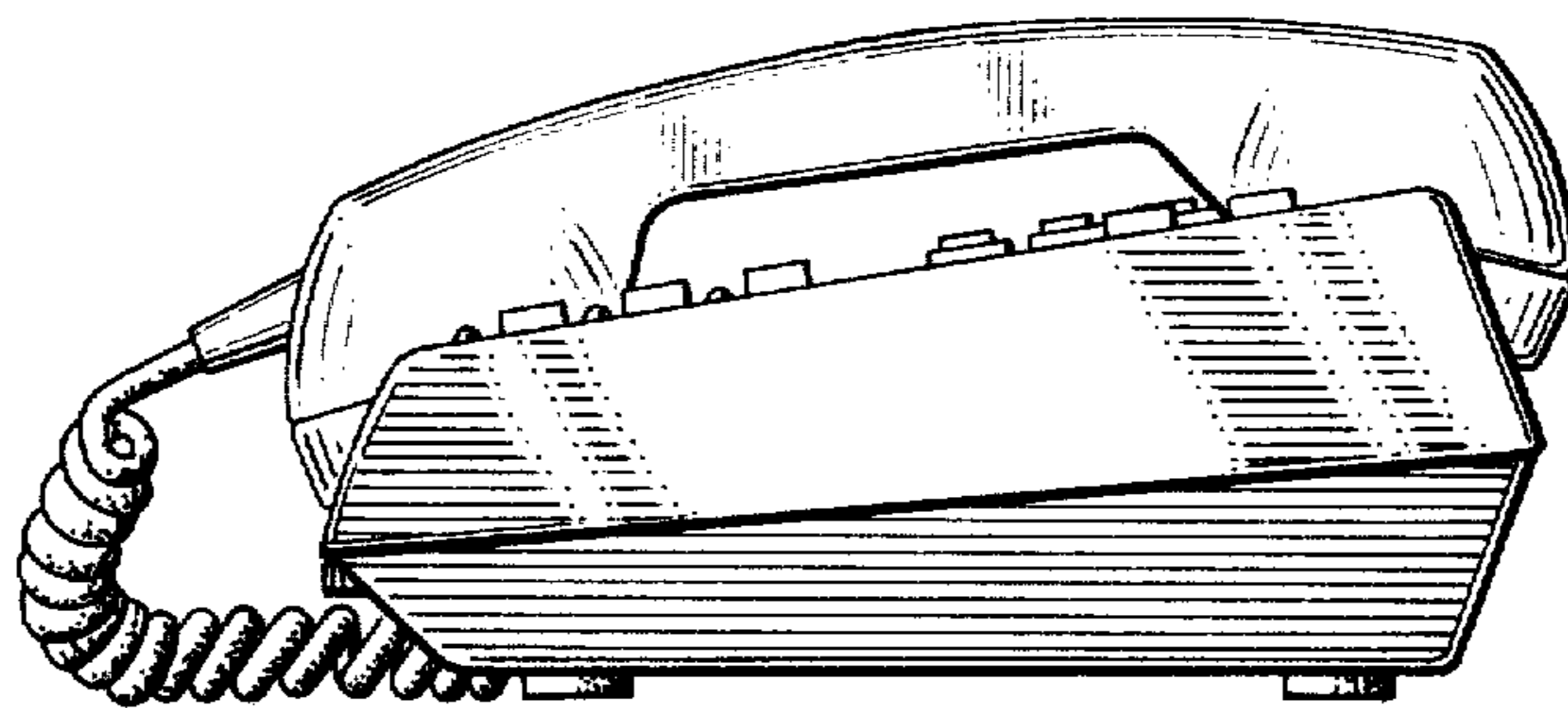


FIG. 6