

[54] **CIRCUIT BOARD**

[76] Inventor: **Gerald Goldin**, 138 S. Parkview Ave., Columbus, Ohio 43209

[\*\*] Term: **14 Years**

[21] Appl. No.: **82,923**

[22] Filed: **Oct. 9, 1979**

[51] Int. Cl. .... **D13-03**  
[52] U.S. Cl. .... **D13/10; D13/40**  
[58] Field of Search ..... **D13/10, 40, 99;**  
**339/147 R, 147 P; 361/406**

[56]

**References Cited**

**U.S. PATENT DOCUMENTS**

2,813,265 11/1957 Finks ..... 339/147 P  
2,935,654 5/1960 Gittens et al. .... 361/406

*Primary Examiner*—Peter M. Caun  
*Attorney, Agent, or Firm*—Jerome P. Bloom

[57]

**CLAIM**

The ornamental design for a circuit board, substantially as shown and described.

**DESCRIPTION**

FIG. 1 is a front perspective view of a circuit board in accordance with my design;  
FIG. 2 is a perspective back view thereof; and  
FIG. 3 is a right side view thereof, taken with reference to the orientation shown in FIG. 1.

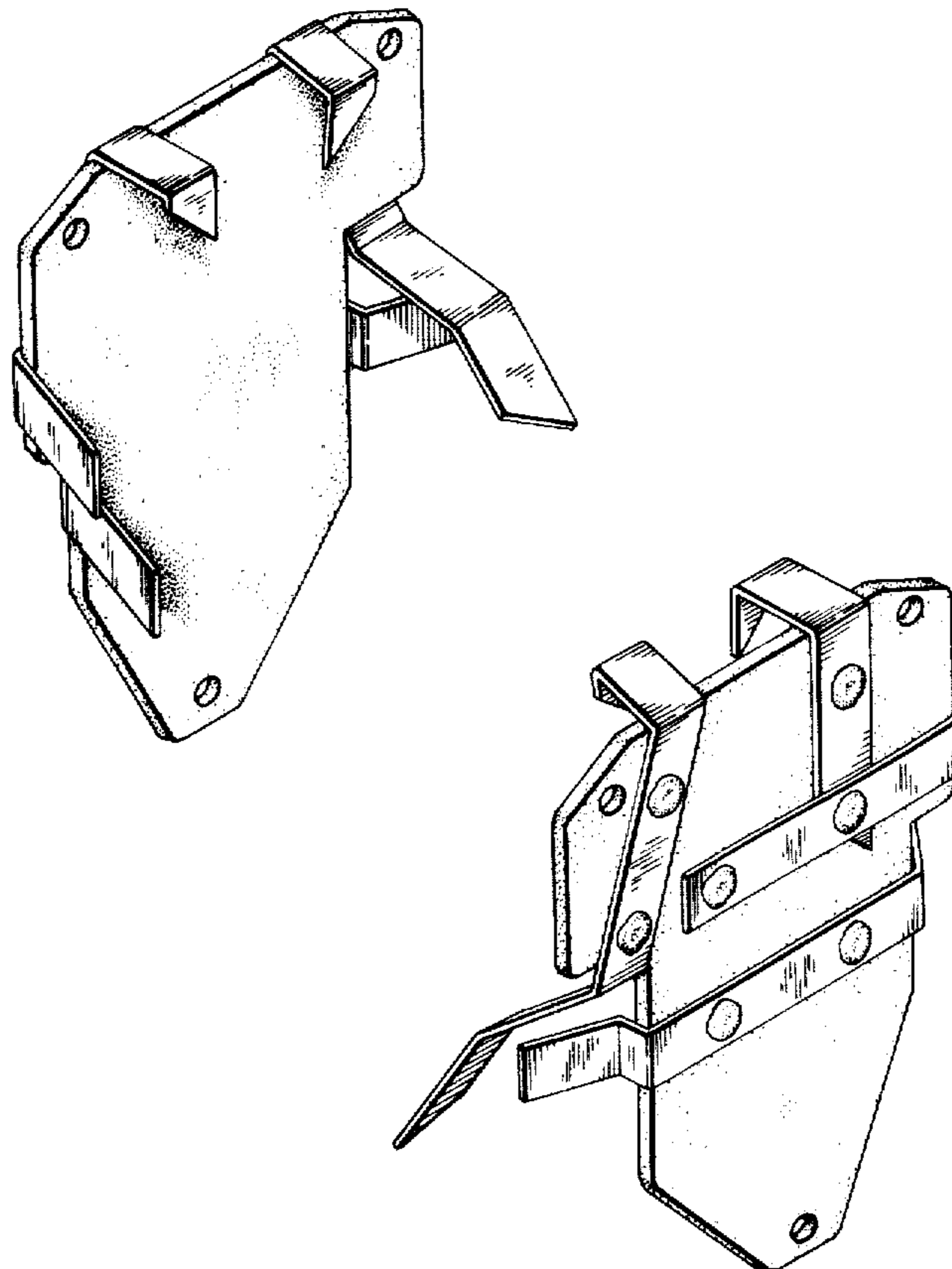


FIG-1

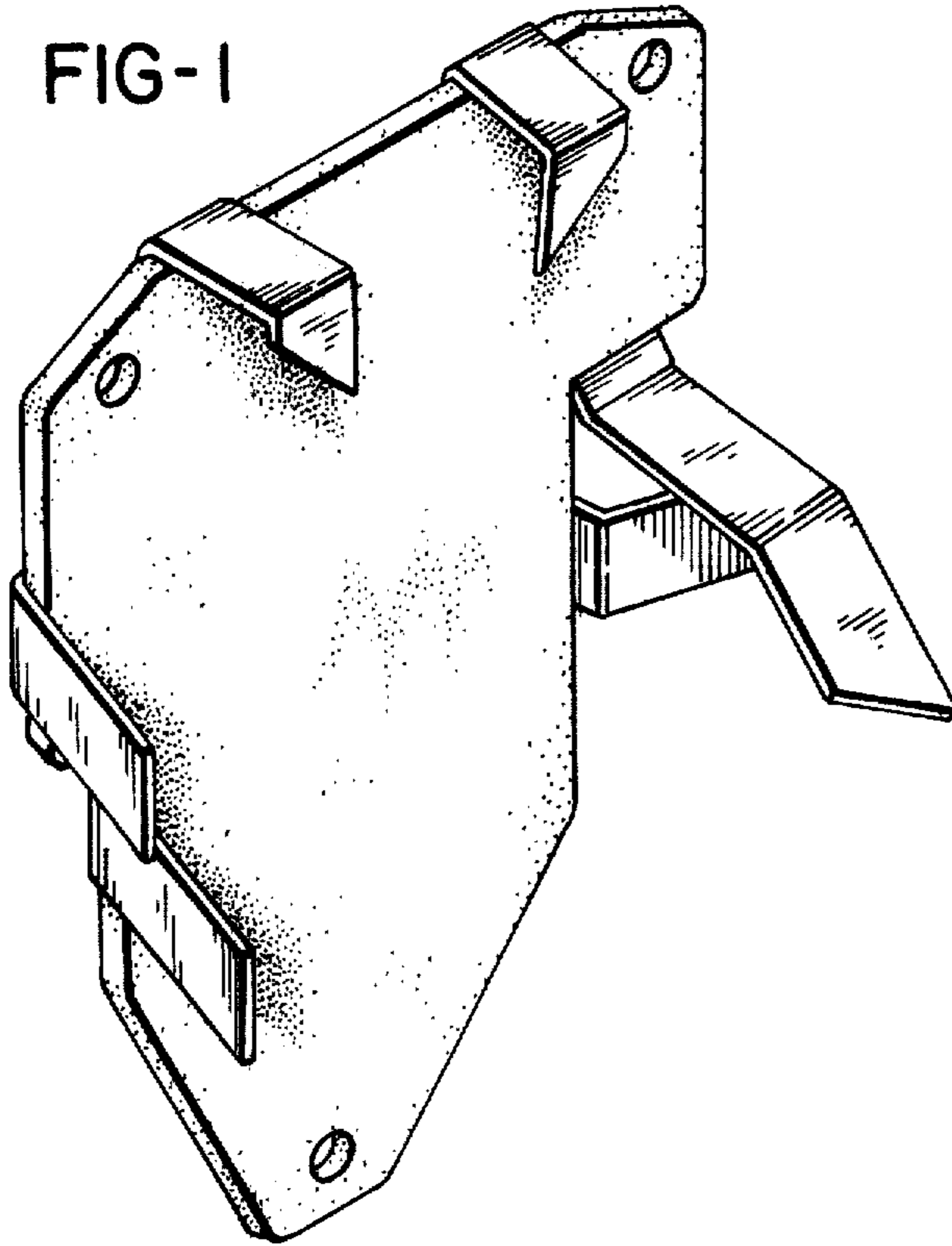


FIG-2

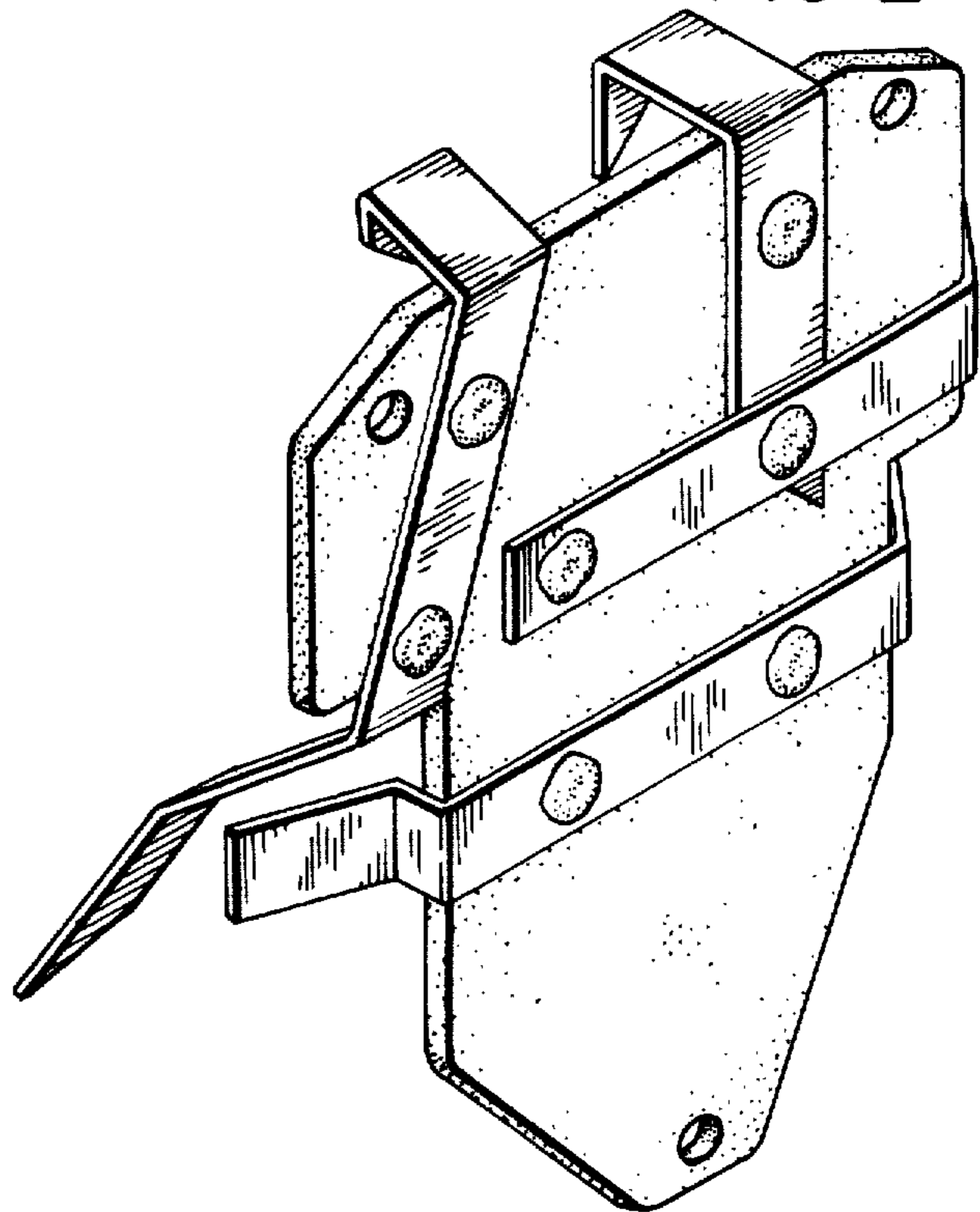


FIG-3

