

[54] SET OF BRACKETS FOR MOUNTING IN THE INTERIOR OF A VEHICLE FOR SUPPORTING SKIS

[76] Inventor: Anton P. Welder, Box 63, Napoleon, N. Dak. 58561

[\*\*] Term: 14 Years

[21] Appl. No.: 64,472

[22] Filed: Aug. 6, 1979

[51] Int. Cl. .... D12-16

[52] U.S. Cl. .... D12/157

[58] Field of Search ..... D12/156, 157; 224/42.45 R, 917, 273; 211/60 SK

[56] References Cited

U.S. PATENT DOCUMENTS

3,527,354 9/1970 Sokolow ..... 211/60 SK

FOREIGN PATENT DOCUMENTS

1479997 3/1967 France ..... 211/60 SK

Primary Examiner—James M. Gandy

Attorney, Agent, or Firm—Schroeder, Siegfried, Vidas, Steffey & Arrett

[57] CLAIM

The ornamental design for a set of brackets for mounting in the interior of a vehicle for supporting skis, as shown and described.

DESCRIPTION

FIG. 1 is a perspective view of a set of brackets for mounting in the interior of a vehicle for supporting skis showing my new design, it being understood that the broken lines are for illustration purposes only; FIG. 2 is an enlarged rear elevational view of one of the brackets of the set shown in FIG. 1; FIG. 3 is a right side elevational view of FIG. 2; FIG. 4 is a left side elevational view of FIG. 2; FIG. 5 is a top plan view of FIG. 2; FIG. 6 is a bottom plan view of FIG. 2; FIG. 7 is an enlarged front elevational view of the second bracket of the set shown in FIG. 1; FIG. 8 is a left side elevational view of FIG. 7; FIG. 9 is a right side elevational view of FIG. 7; FIG. 10 is a top plan view of FIG. 7; FIG. 11 is a bottom plan view of FIG. 7.

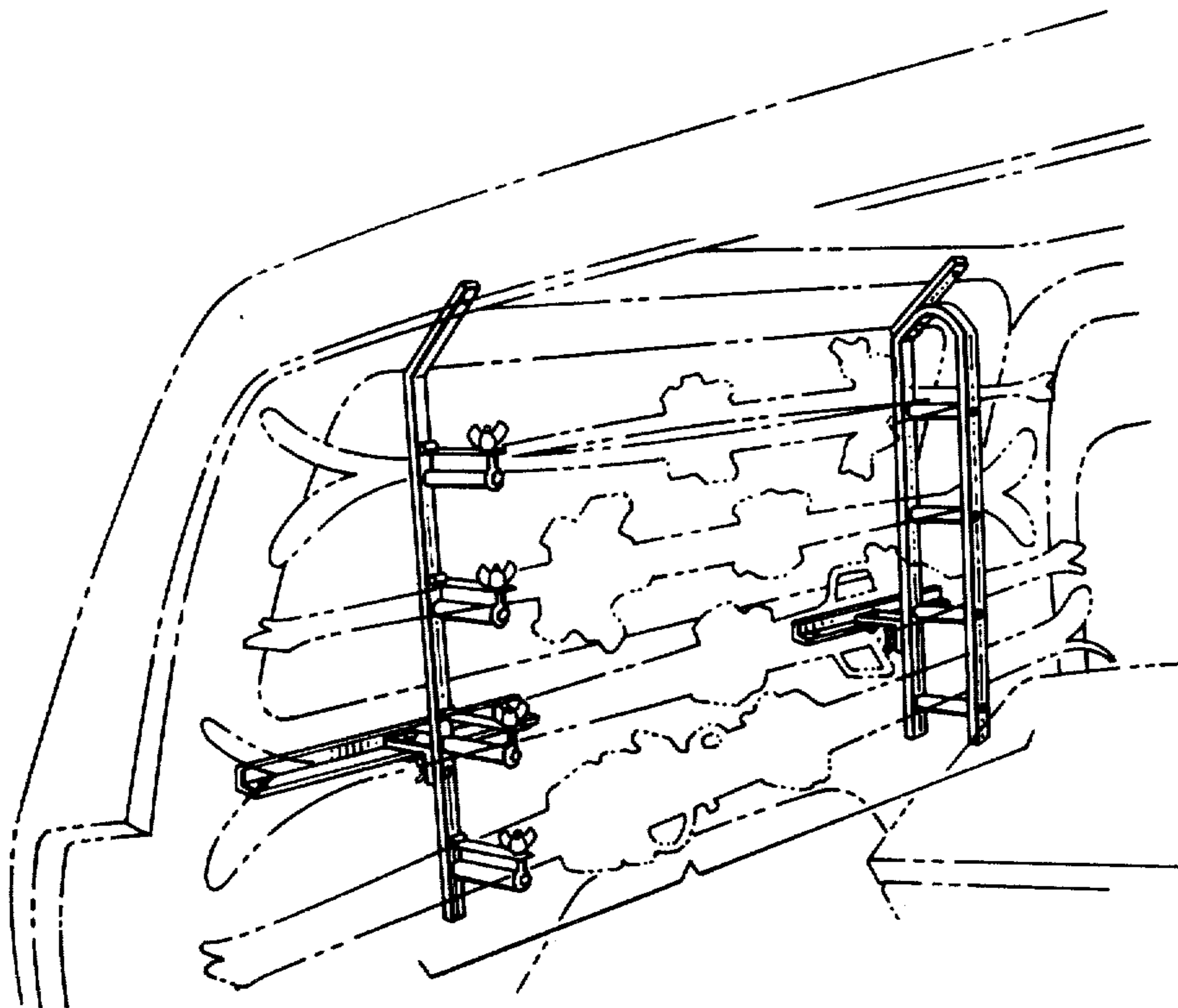


Fig. 1

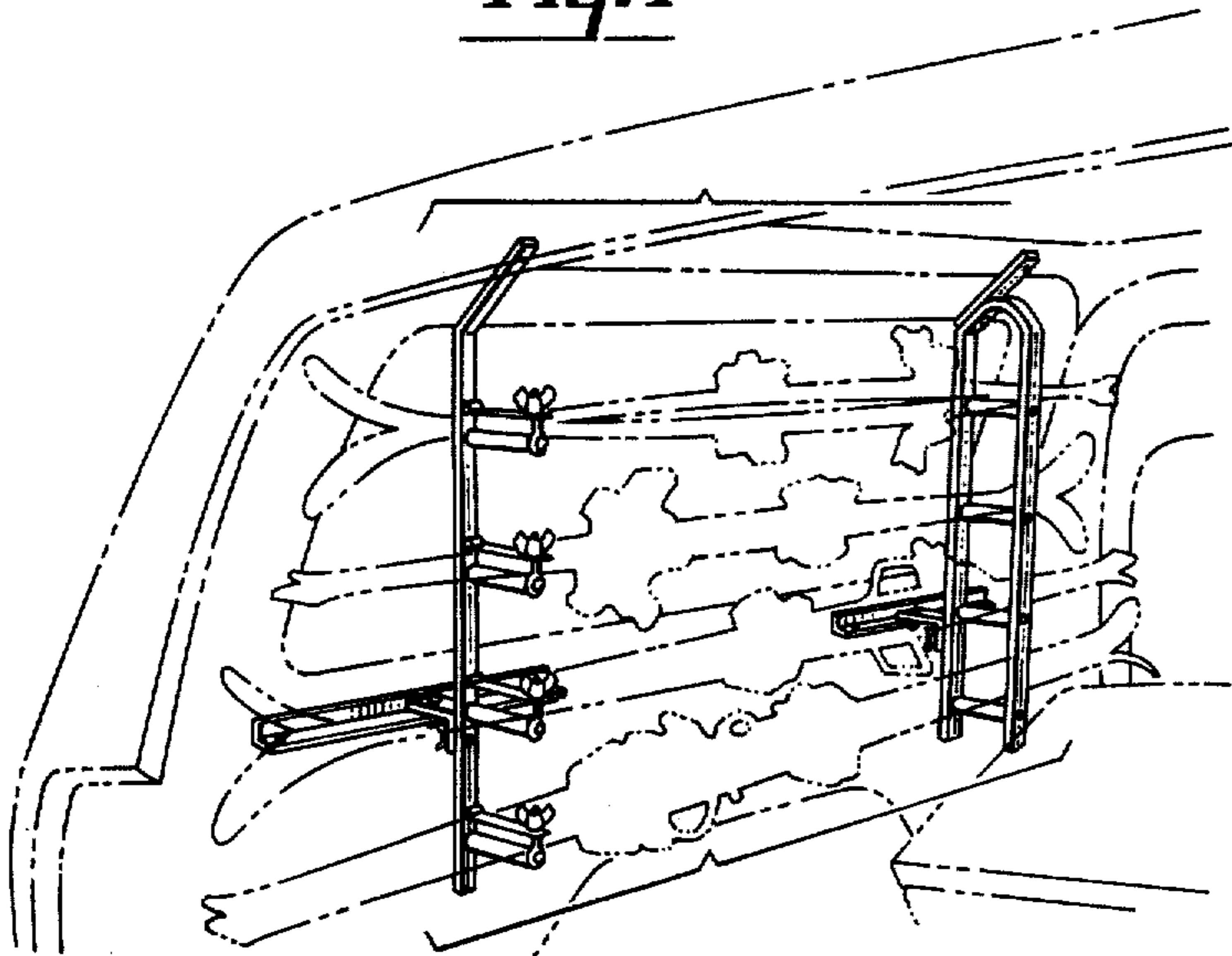


Fig. 11

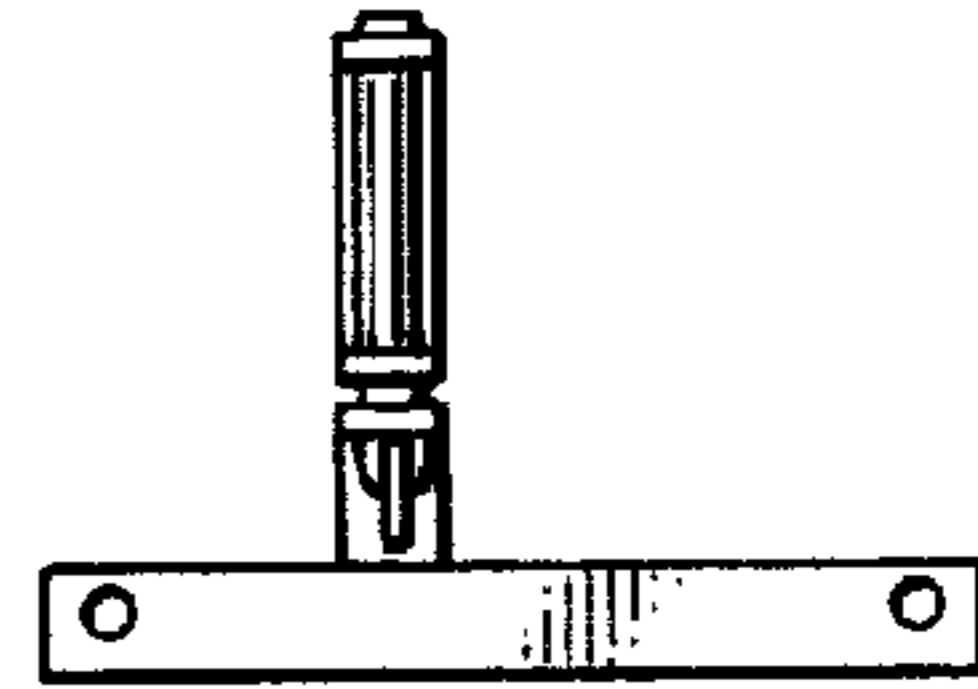


Fig. 10

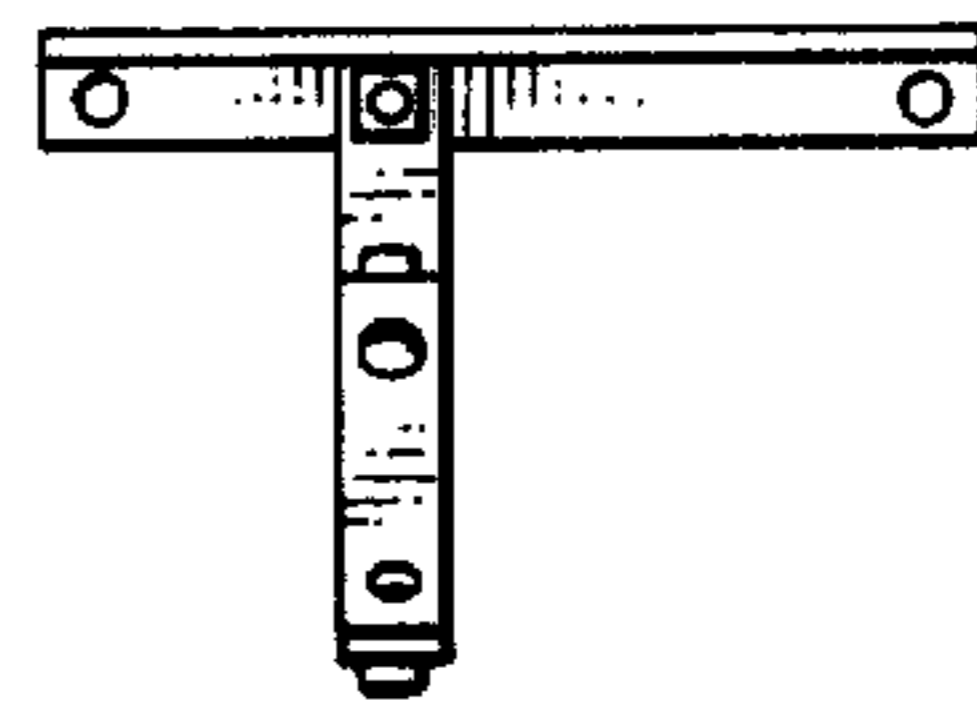


Fig. 2

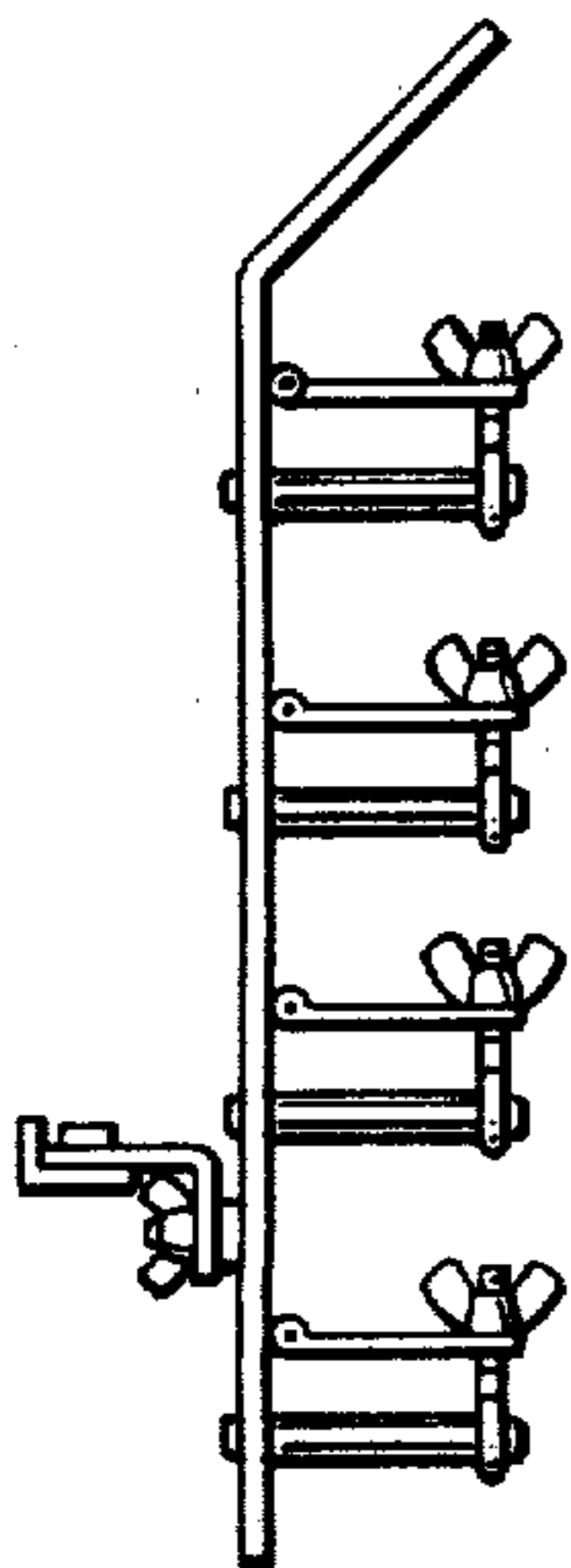


Fig. 7

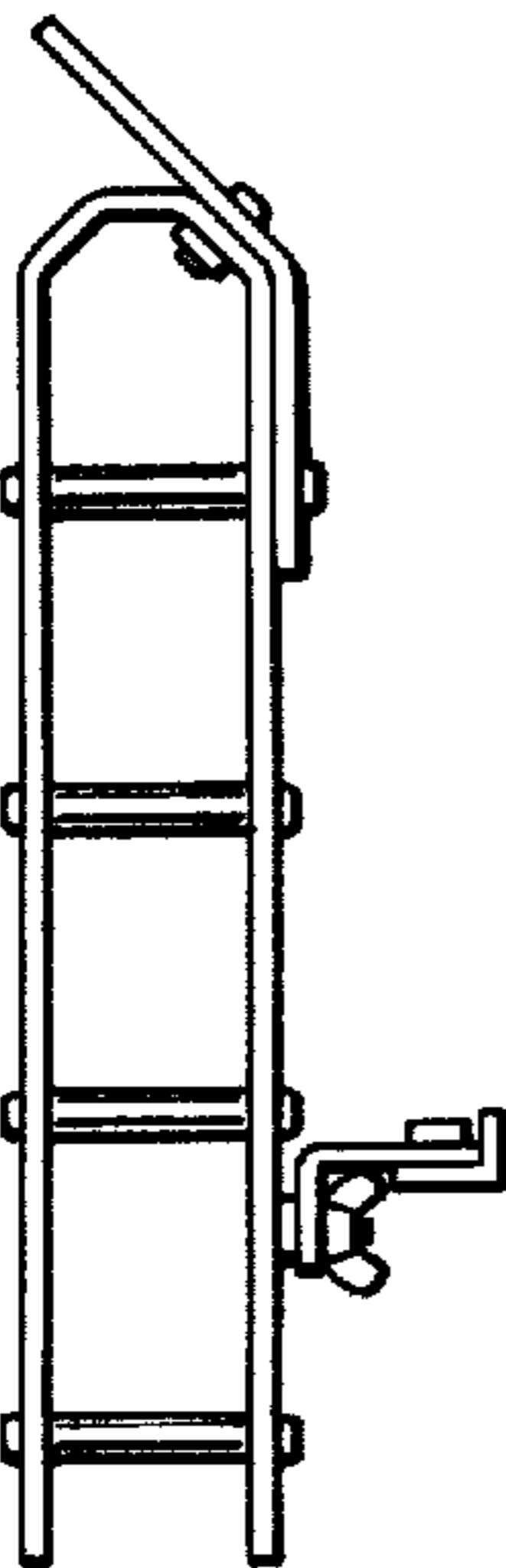


Fig. 3

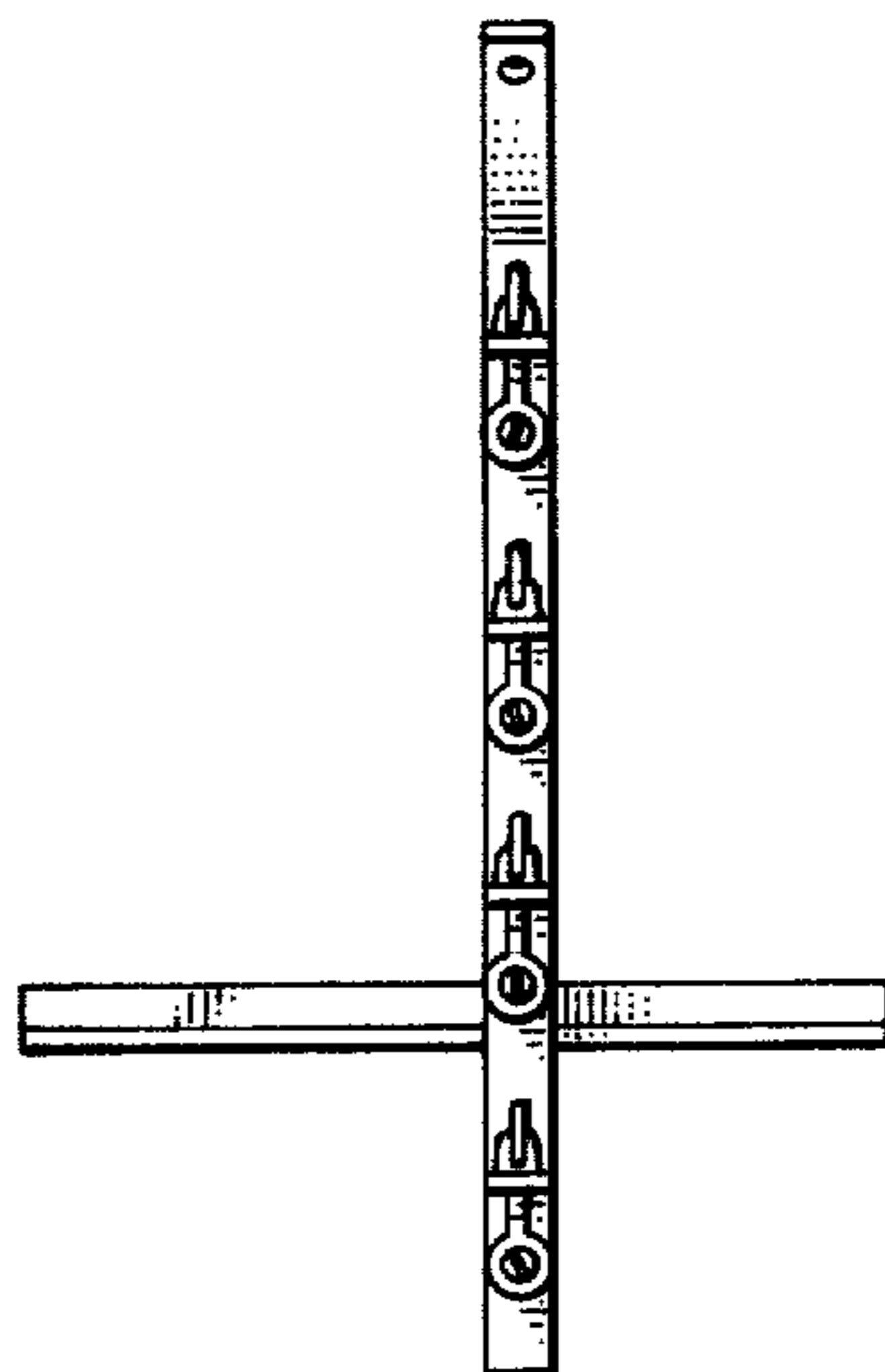


Fig. 8

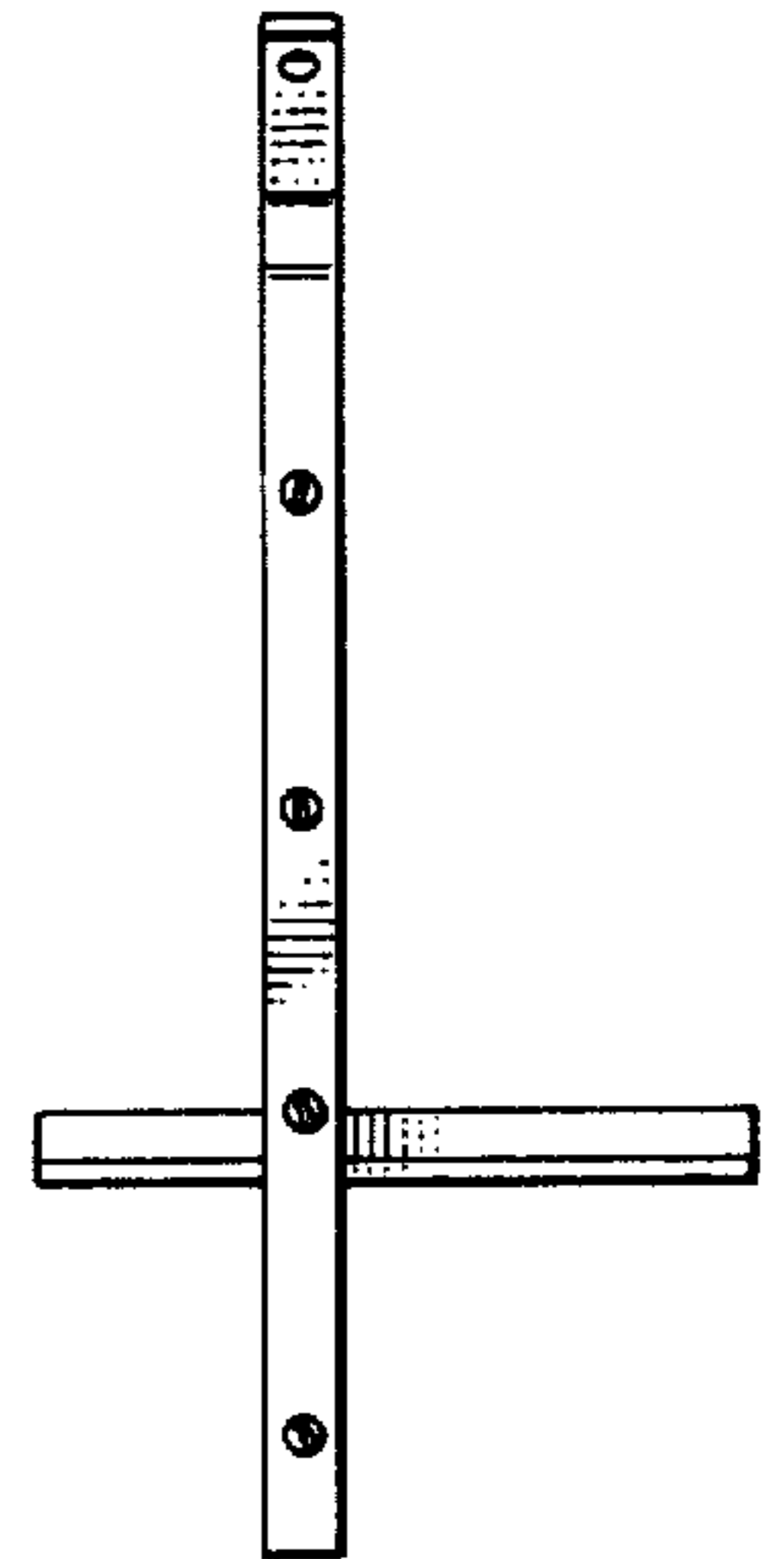


Fig. 6

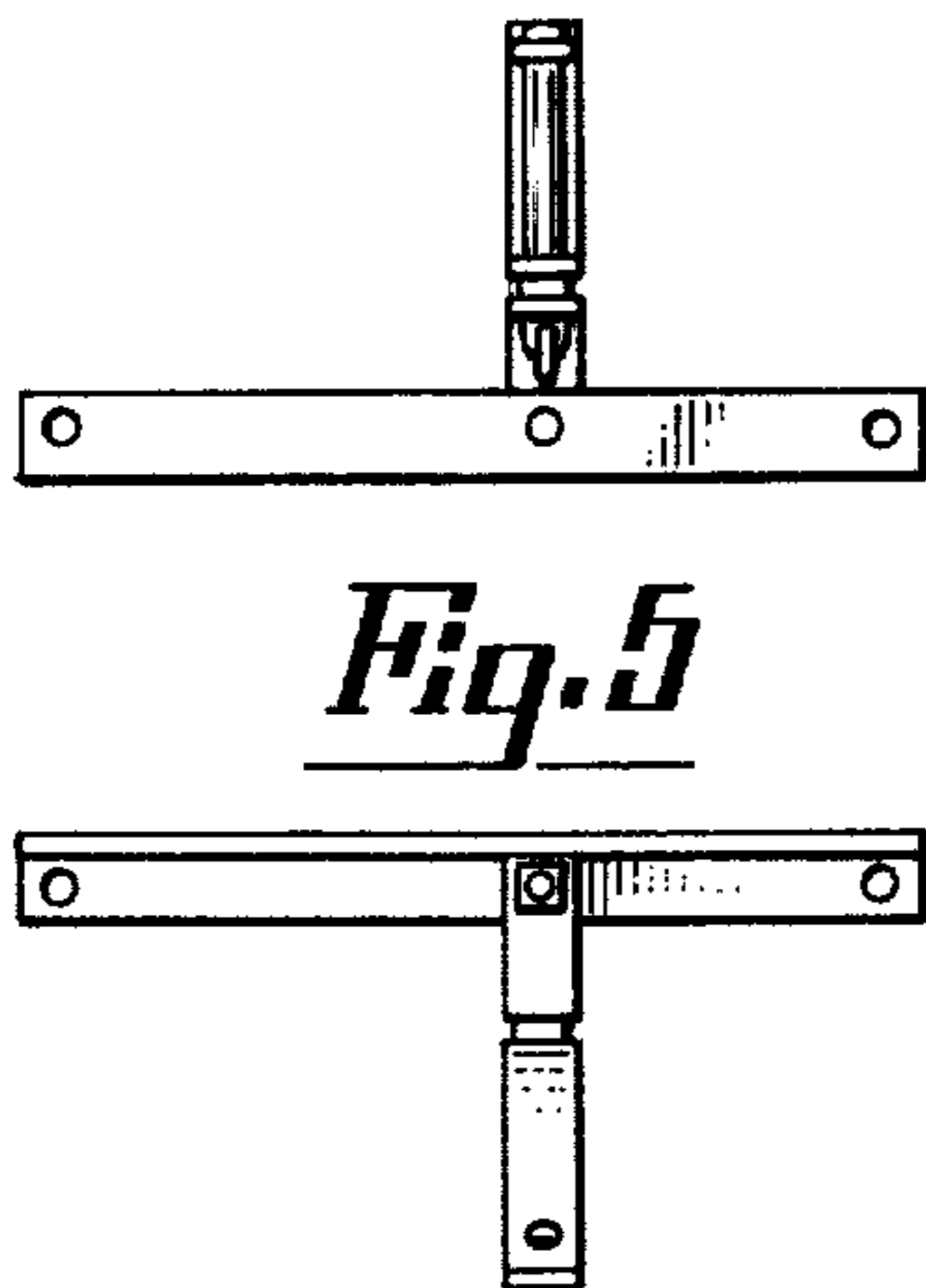


Fig. 4

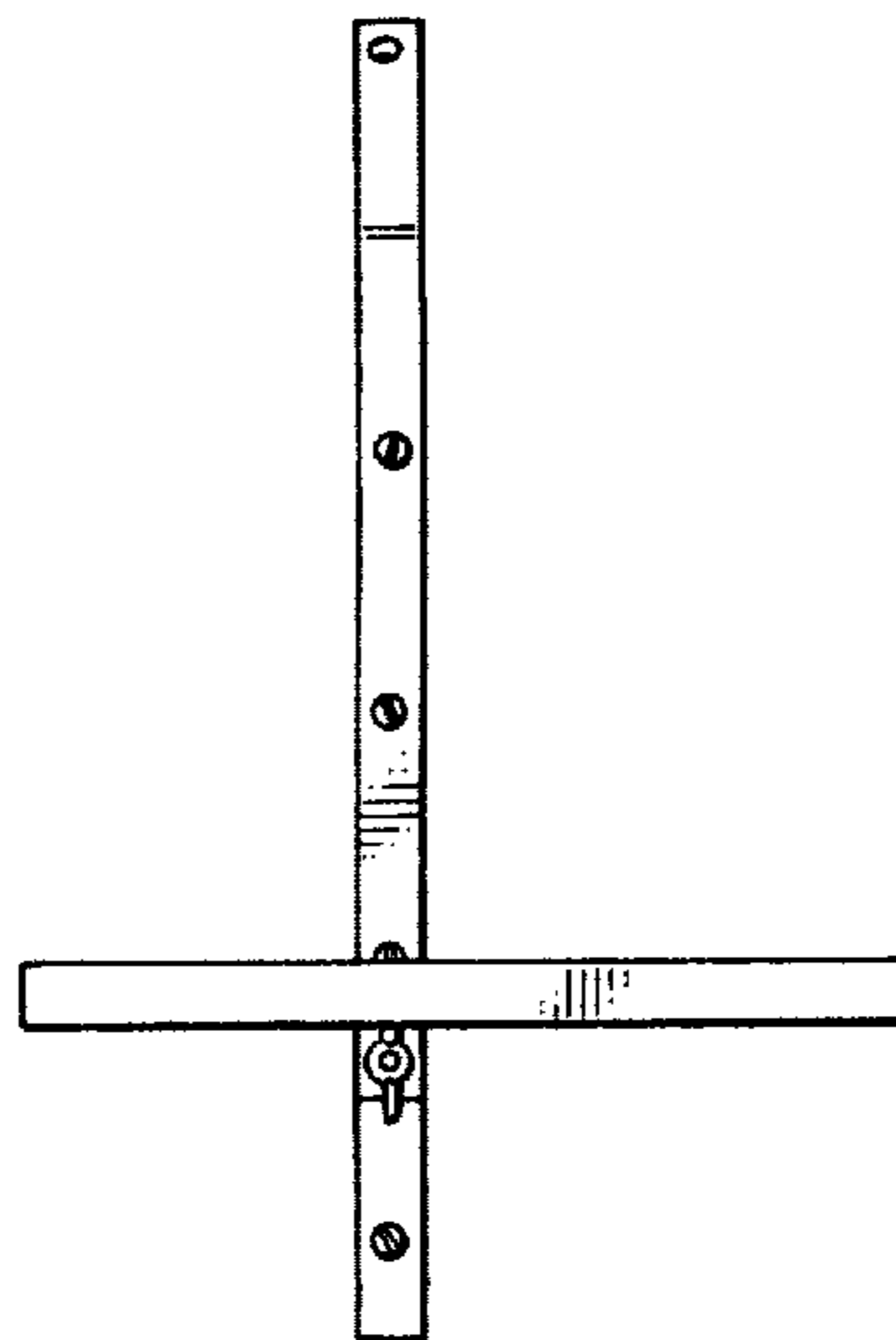


Fig. 9

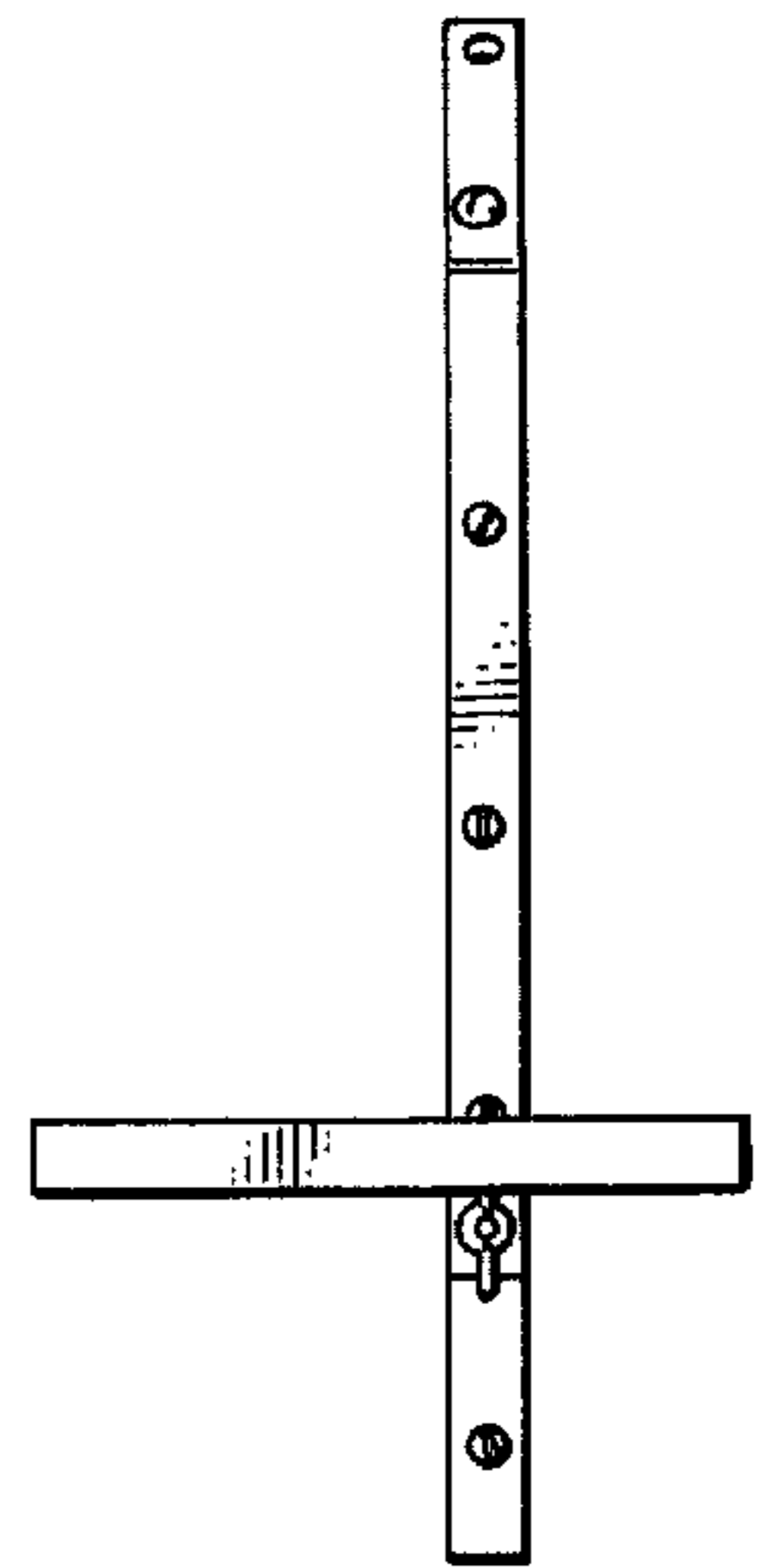


Fig. 5

