

[54] BICYCLE

[76] Inventors: **Jan G. Olsson**, Sjögangen 6, 421 71 V. Frölunda; **Lars E. Samuelsson**, Hedangen 5, 433 00 Partille, both of Sweden

[\*\*] Term: **14 Years**

[21] Appl. No.: **74,814**

[22] Filed: **Sep. 12, 1979**

[30] **Foreign Application Priority Data**

Mar. 12, 1979 [SE] Sweden ..... 79-0624  
Mar. 12, 1979 [SE] Sweden ..... 79-0625

[51] Int. Cl. .... **D12-111**

[52] U.S. Cl. .... **D12/111**

[58] Field of Search ..... **D12/11; 280/281 R**

[56] **References Cited**

**FOREIGN PATENT DOCUMENTS**

877814	9/1942	France	.....	280/281 R
244097	4/1926	Italy	.....	280/281 R
590649	7/1947	United Kingdom	.....	280/281 R
2021054	11/1979	United Kingdom	.....	280/281 R

*Primary Examiner*—James M. Gandy

[57] **CLAIM**

The ornamental design for a bicycle, as shown and described.

**DESCRIPTION**

FIG. 1 is a right side elevational view of a bicycle according to our new design it being understood that the left side is substantially a mirror image thereof; FIG. 2 is a rear perspective view taken from the top and right side thereof; and, FIG. 3 is a front elevational view thereof.



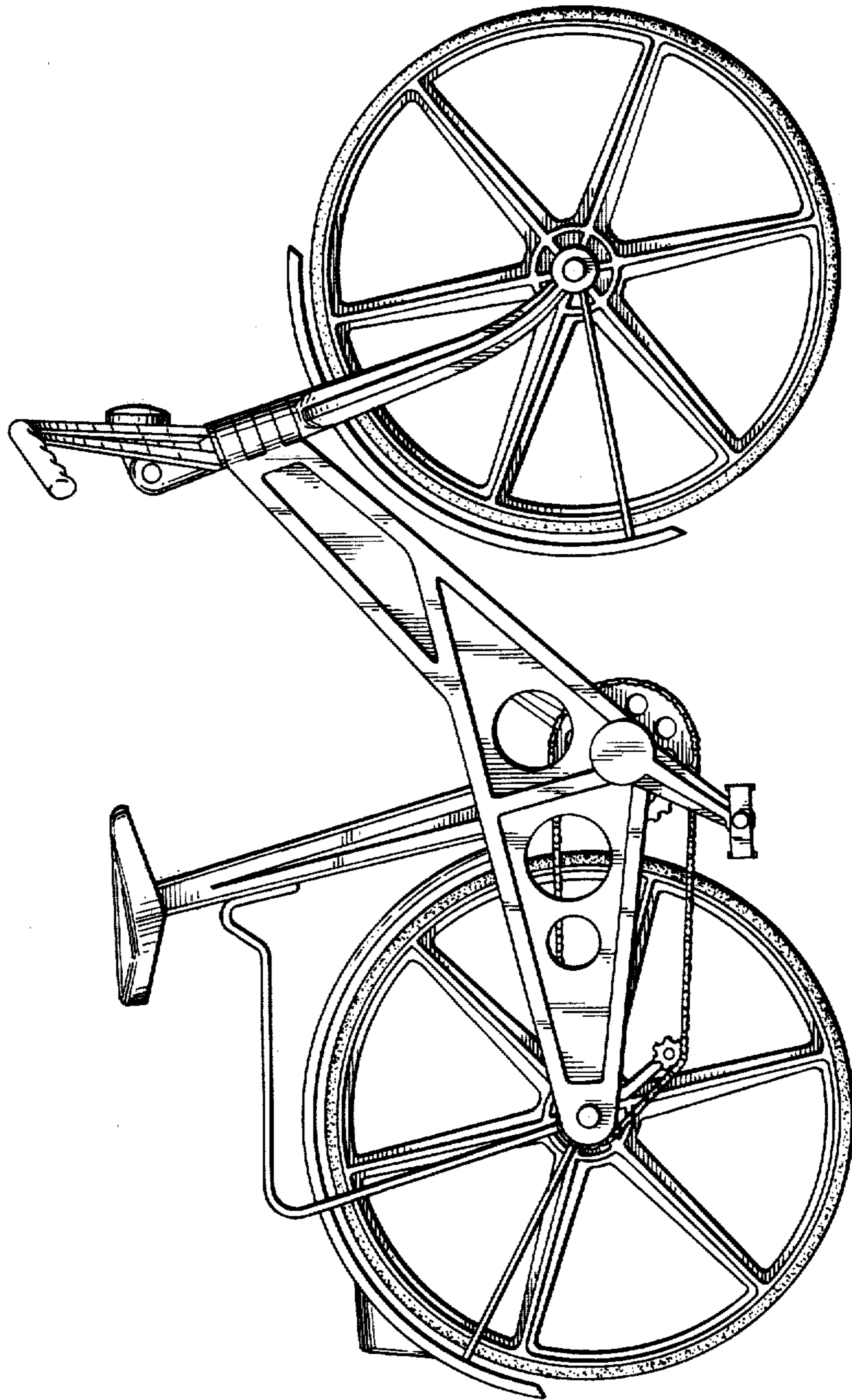


FIG. 1

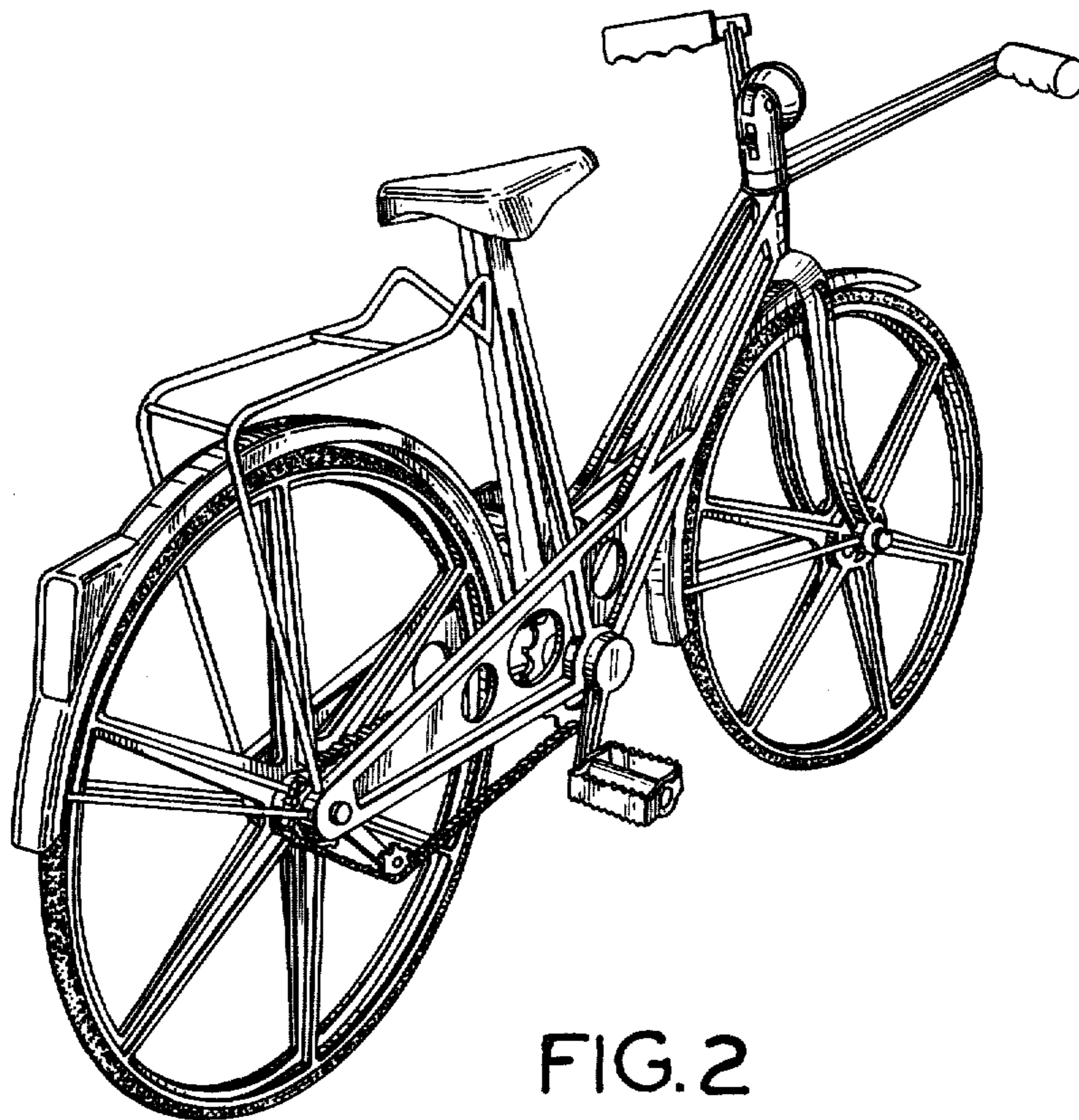


FIG. 2

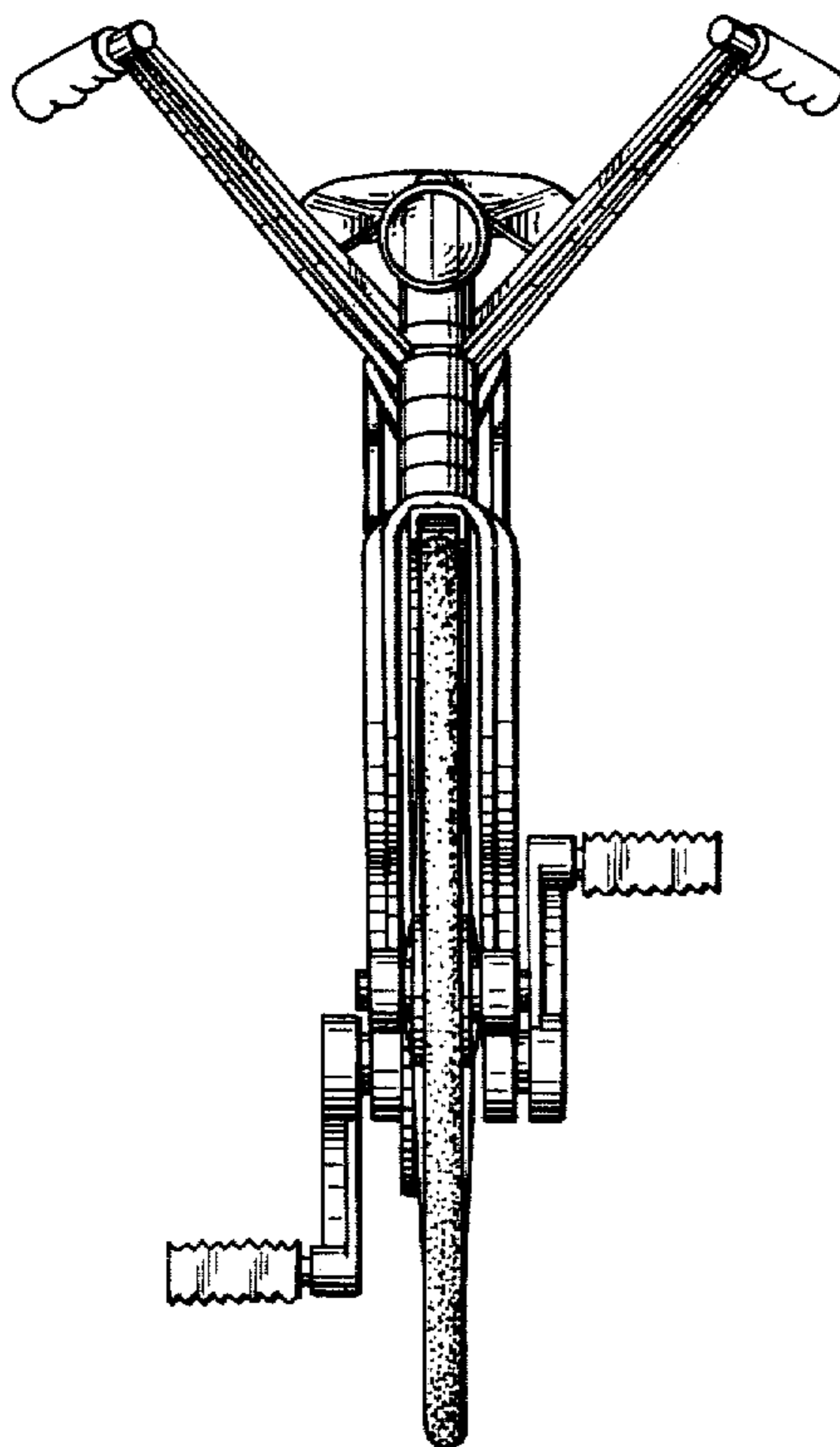


FIG. 3