

[54] **DISPENSING CLOSURE**

[75] Inventor: **Elliott E. Blank**, Fairfax, Calif.
 [73] Assignee: **The Clorox Company**, Oakland, Calif.
 [**) Term: **14 Years**
 [21] Appl. No.: **75,503**
 [22] Filed: **Sep. 13, 1979**

[51] Int. Cl. **D9-07**
 [52] U.S. Cl. **D9/446; D9/449**
 [58] Field of Search **D9/253, 254, 260, 261,**
 D9/262, 275, 280, 281, 434, 449, 435, 446, 450,
 452; 220/306, 307, 375; 222/543, 563, 565, 569,
 570

[56] **References Cited**
U.S. PATENT DOCUMENTS

D. 187,757	4/1960	Mart	D9/446
D. 197,926	4/1964	Stull	D9/446
D. 212,463	10/1968	Vanderhyde	D9/450
D. 223,900	6/1972	Douglas et al.	D9/446
1,645,829	10/1927	Sudds	..	
2,073,047	3/1937	Albrecht	..	

2,753,051	7/1956	Tupper	..	
3,117,701	7/1964	Stull	222/484
3,811,592	5/1974	Dye	215/73
3,877,598	4/1975	Hazard	215/225
4,010,875	3/1977	Babiol	222/517

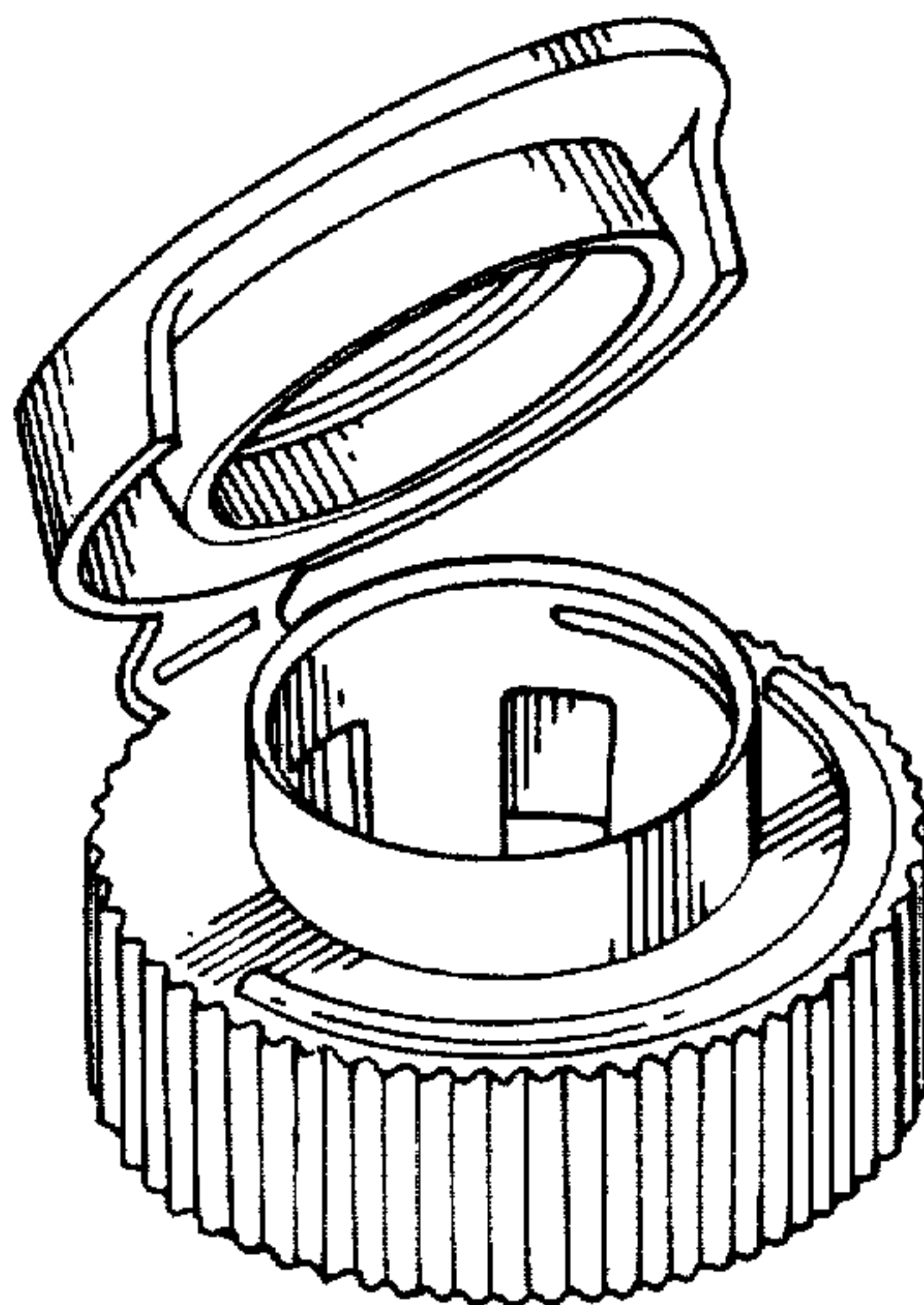
Primary Examiner—Jane E. Corrigan
Assistant Examiner—Carmen H. Vales
Attorney, Agent, or Firm—Stephen M. Westbrook

[57] **CLAIM**

The ornamental design for a dispensing closure, substantially as shown and described.

DESCRIPTION

FIG. 1 is a perspective view of a bottle closure showing my new design;
 FIG. 2 is an enlarged top plan view in extended position;
 FIG. 3 is an enlarged right side elevational view in extended position;
 FIG. 4 is an enlarged bottom plan view in extended position;
 FIG. 5 is a right side elevational view in closed position; and
 FIG. 6 is a front elevational view in closed position.



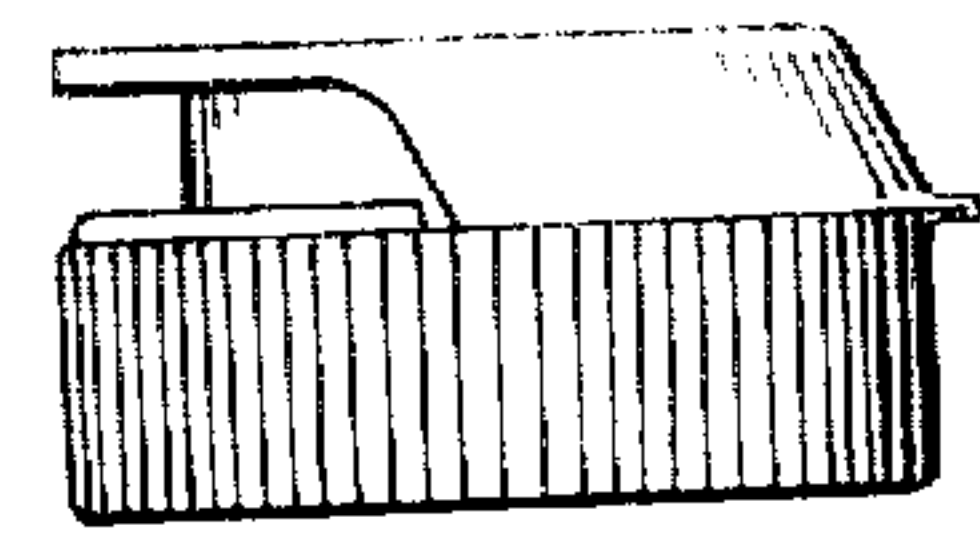
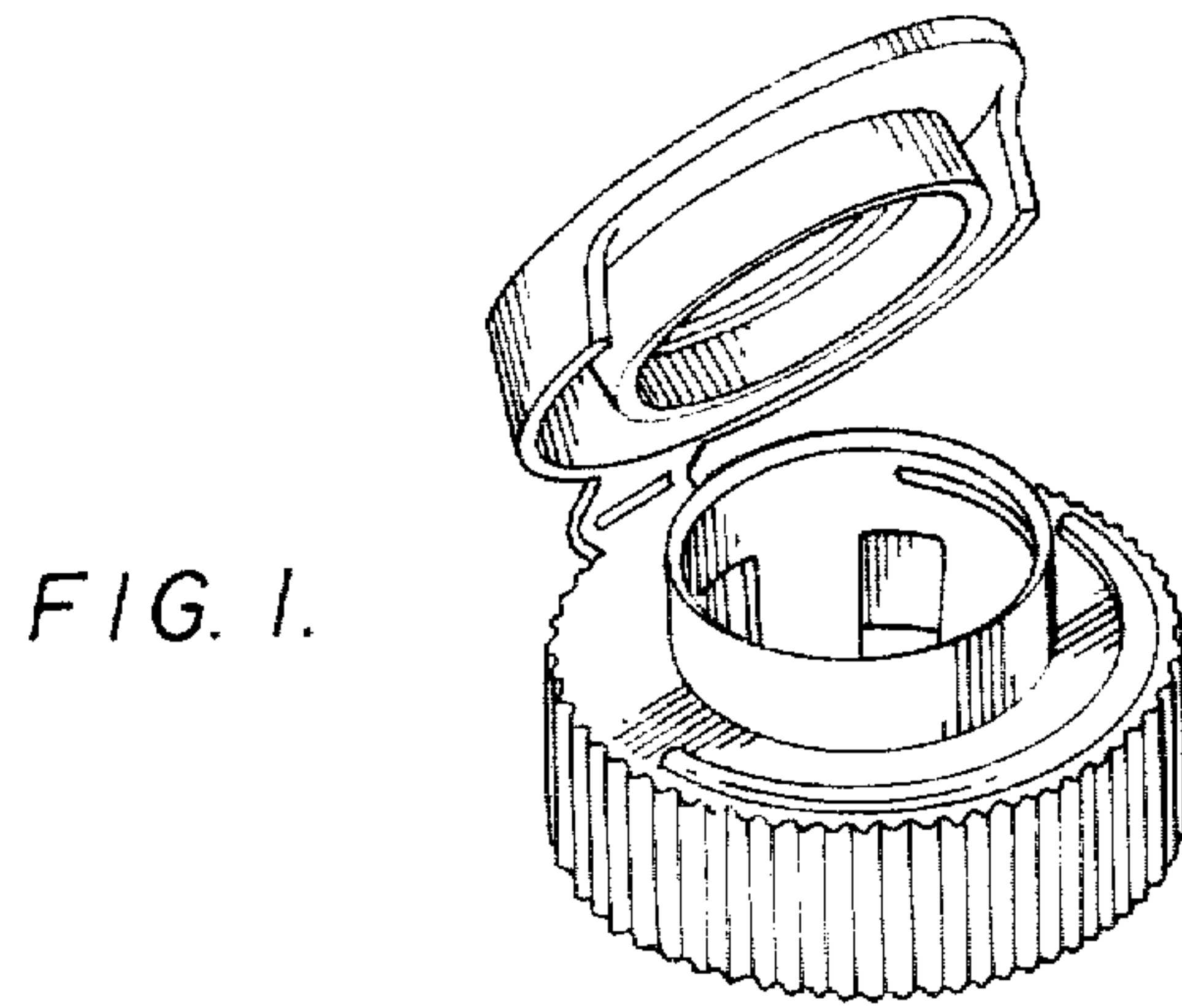


FIG. 5.

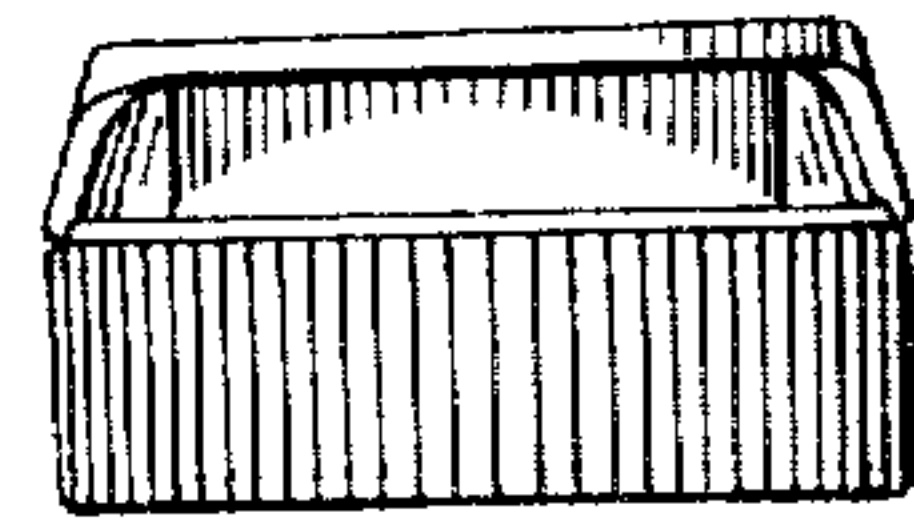


FIG. 6.

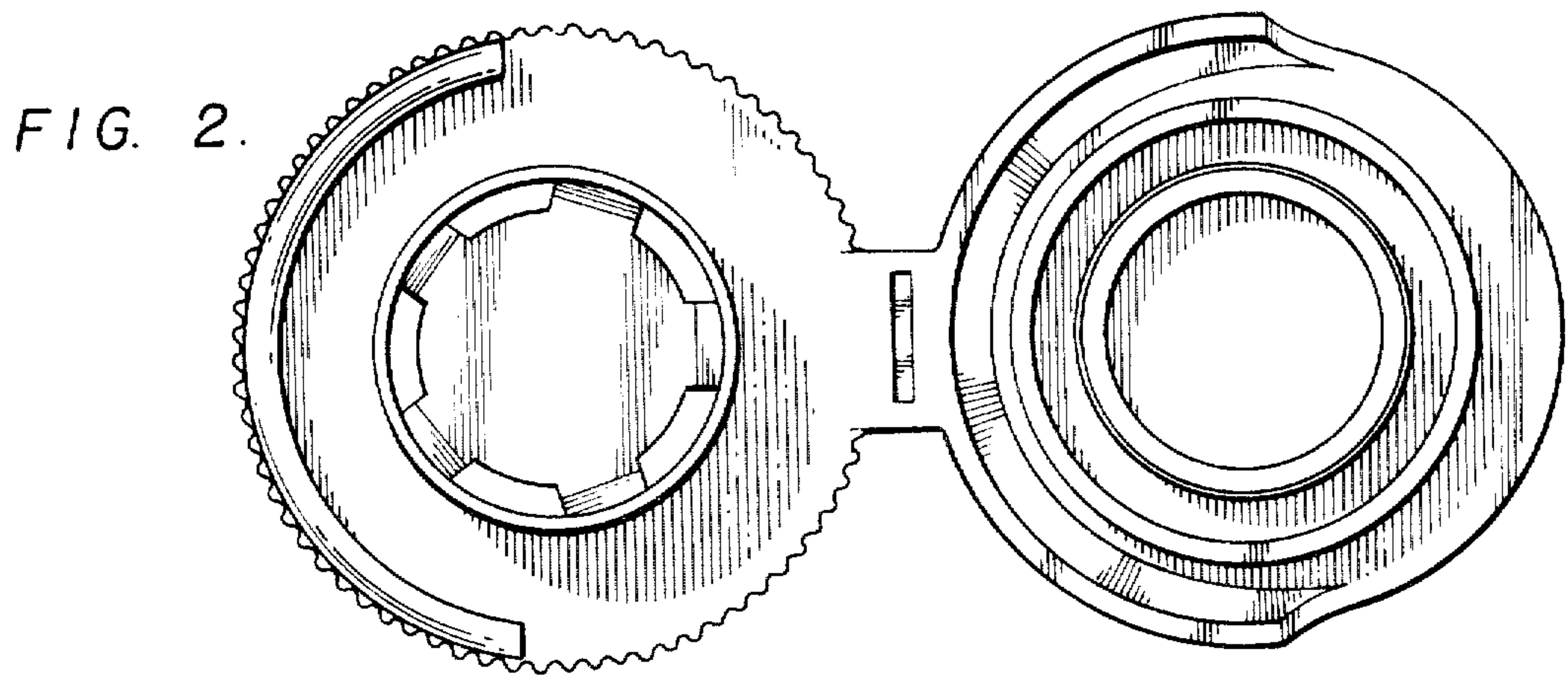


FIG. 2.

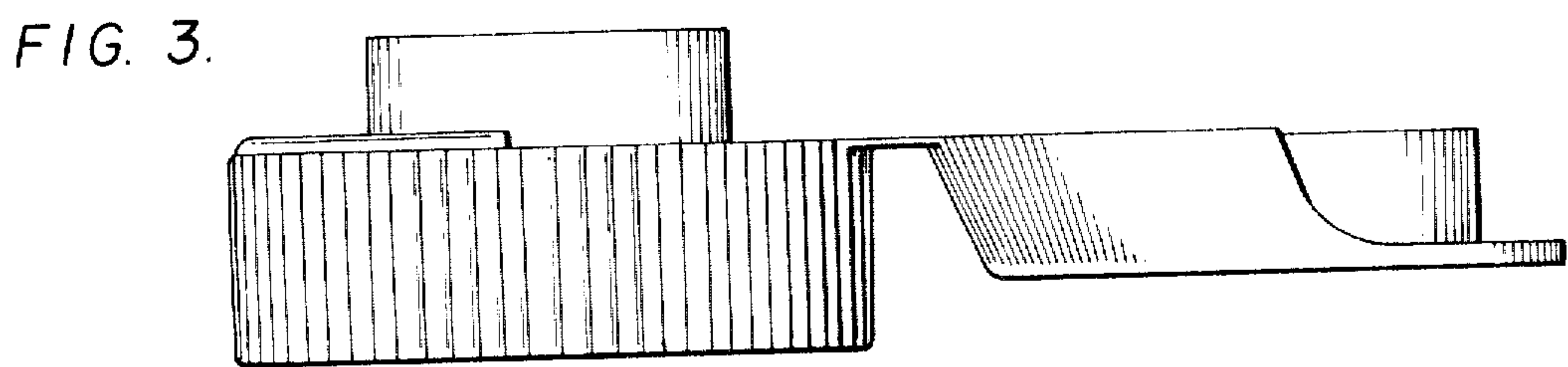


FIG. 3.

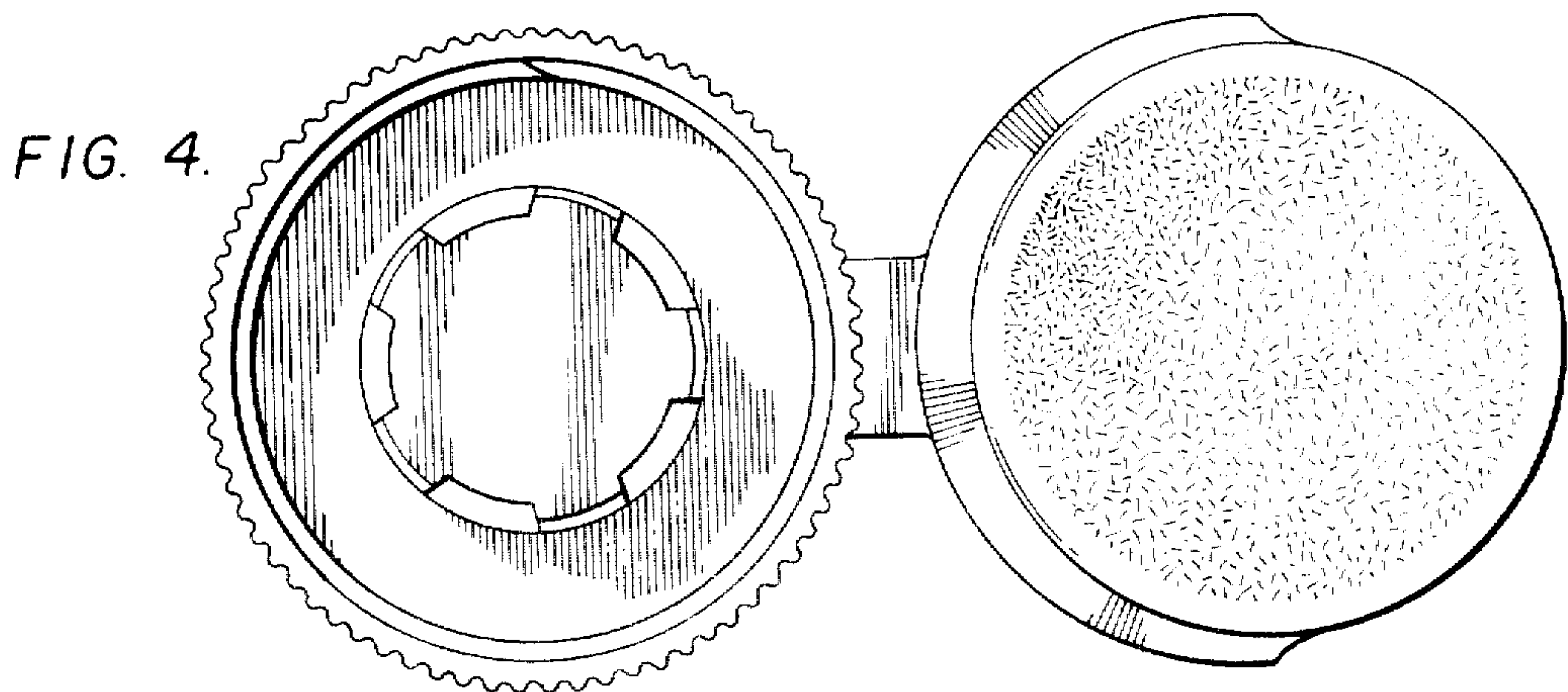


FIG. 4.