

[54] **ARTICLE CARRIER**

[75] Inventors: **Prentice J. Wood**, Hapeville; **Richard K. Watkins**, Lithonia, both of Ga.

[73] Assignee: **The Mead Corporation**, Dayton, Ohio

[**] Term: **14 Years**

[21] Appl. No.: **162,669**

[22] Filed: **Jun. 24, 1980**

[51] Int. Cl. **D9-03**

[52] U.S. Cl. **D9/346; 206/153**

[58] Field of Search 206/147, 151, 152, 153, 206/158; D9/433, 346

3,606,003 9/1971 Graser 206/153

3,860,281 1/1975 Wood 206/158 X

4,305,500 12/1981 Jaeschke 206/153

Primary Examiner—Robert C. Spangler
Attorney, Agent, or Firm—Rodgers & Rodgers

[57] **CLAIM**

The ornamental design for an article carrier, as shown and described.

DESCRIPTION

FIG. 1 is an isometric view of an article carrier showing our new design, the articles being shown in broken lines for purposes of illustration only;

FIG. 2 is a left side elevational view thereof;

FIG. 3 is a right end elevational view thereof, the opposite end being a mirror image of the end shown;

FIG. 4 is a right side elevational view thereof;

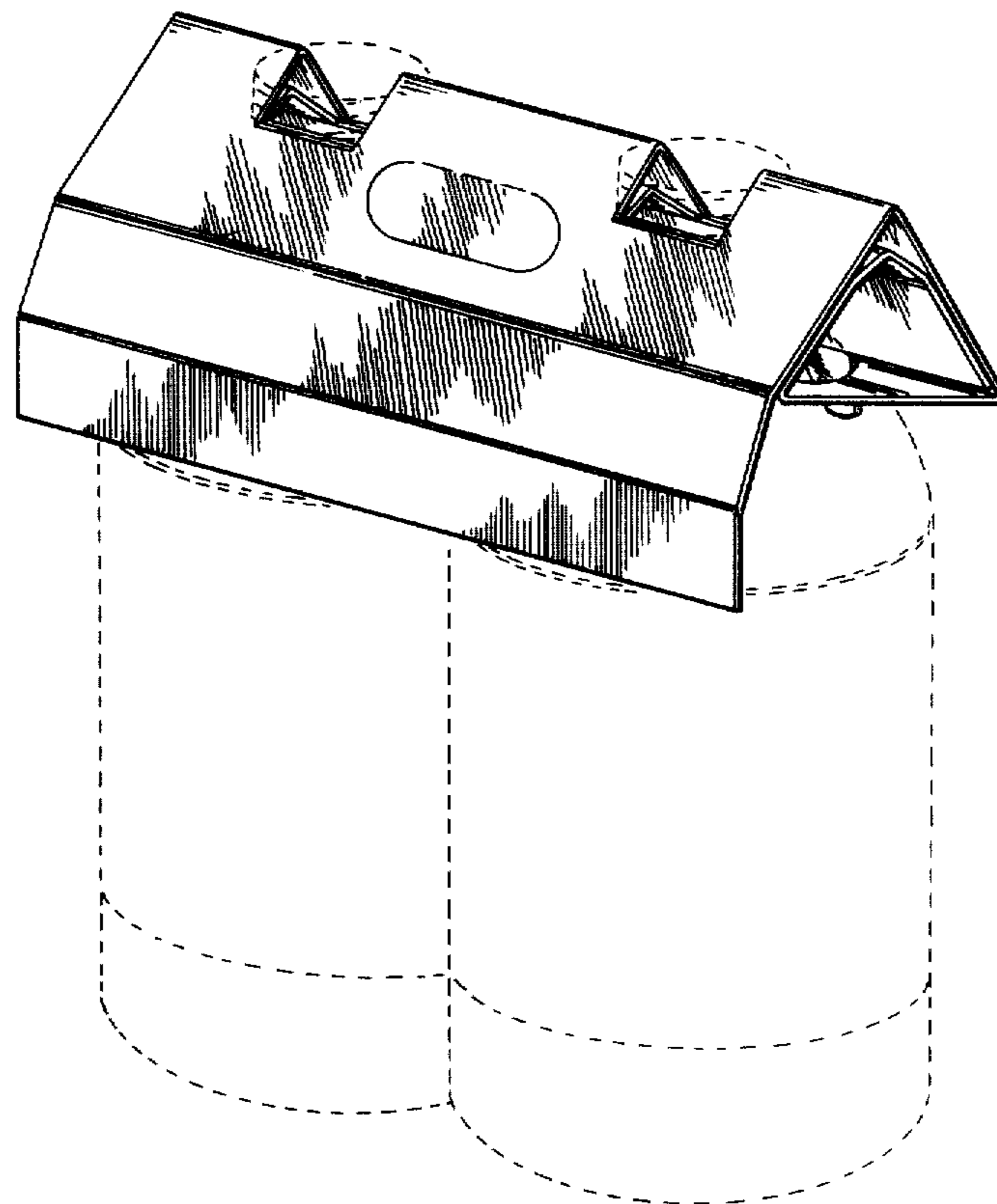
FIG. 5 is a top plan view thereof; and

FIG. 6 is a bottom plan view thereof.

[56] **References Cited**

U.S. PATENT DOCUMENTS

3,528,697 9/1970 Wood 206/158 X



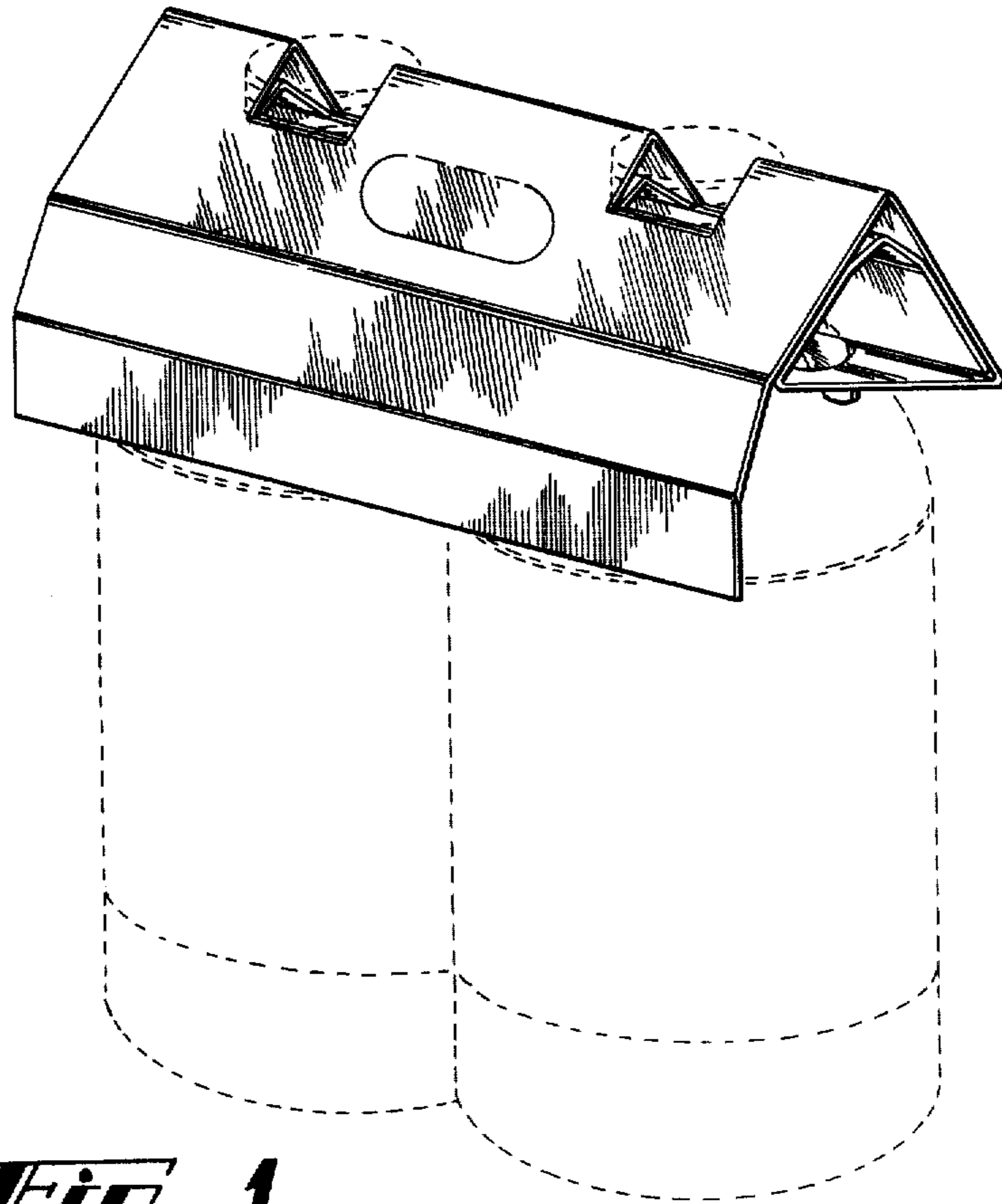


Fig. 1

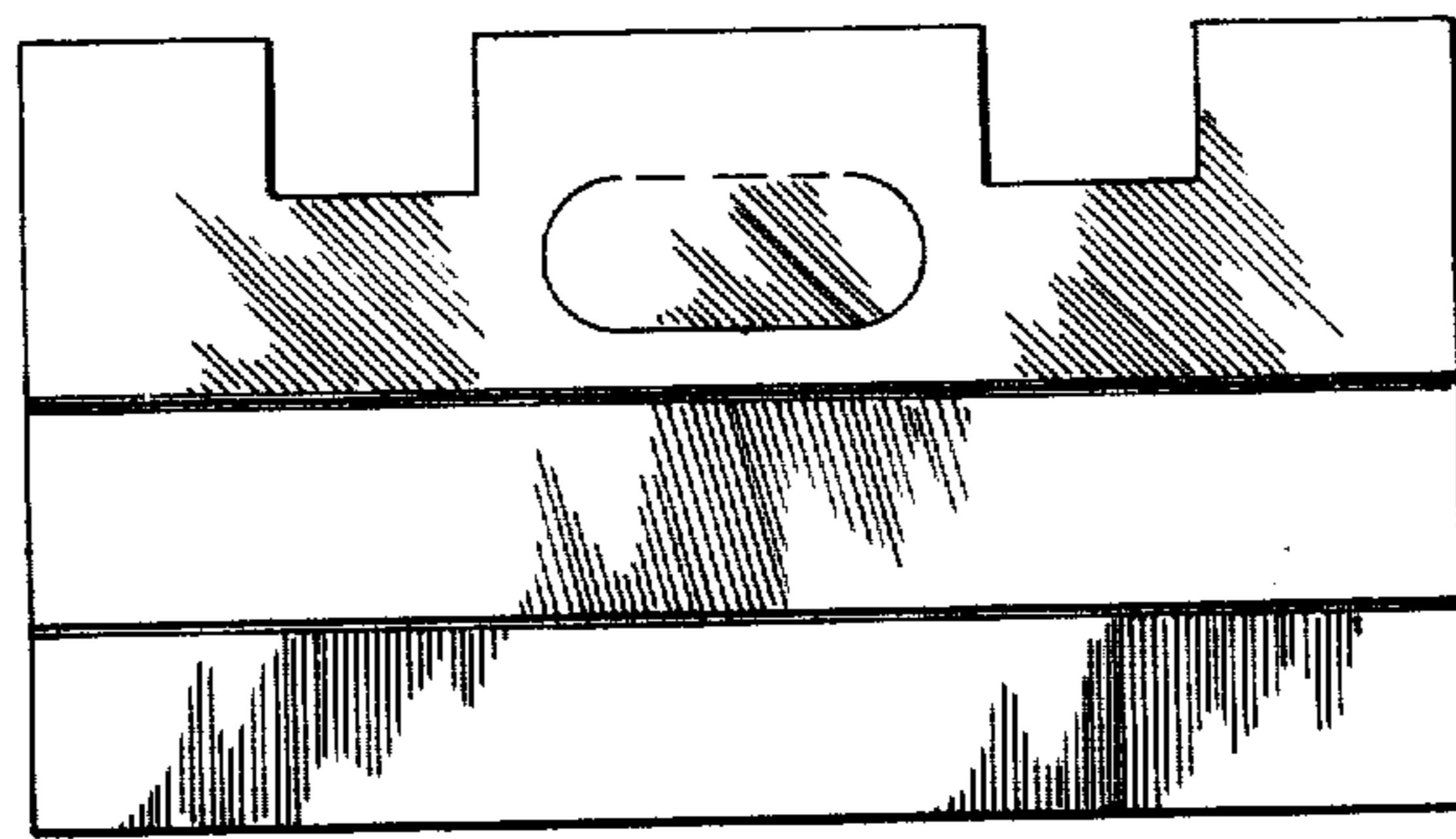


Fig. 2

Fig. 3

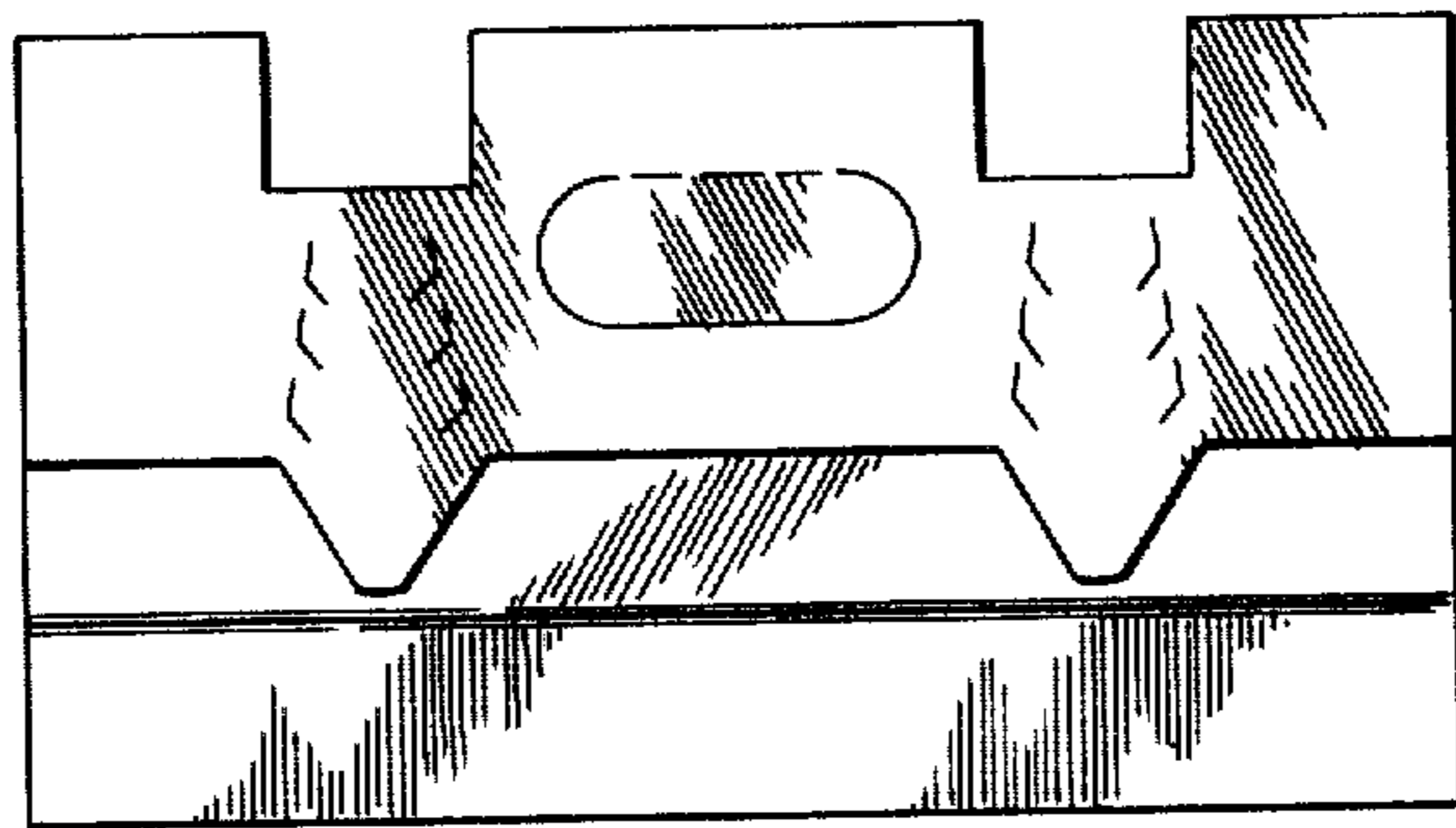
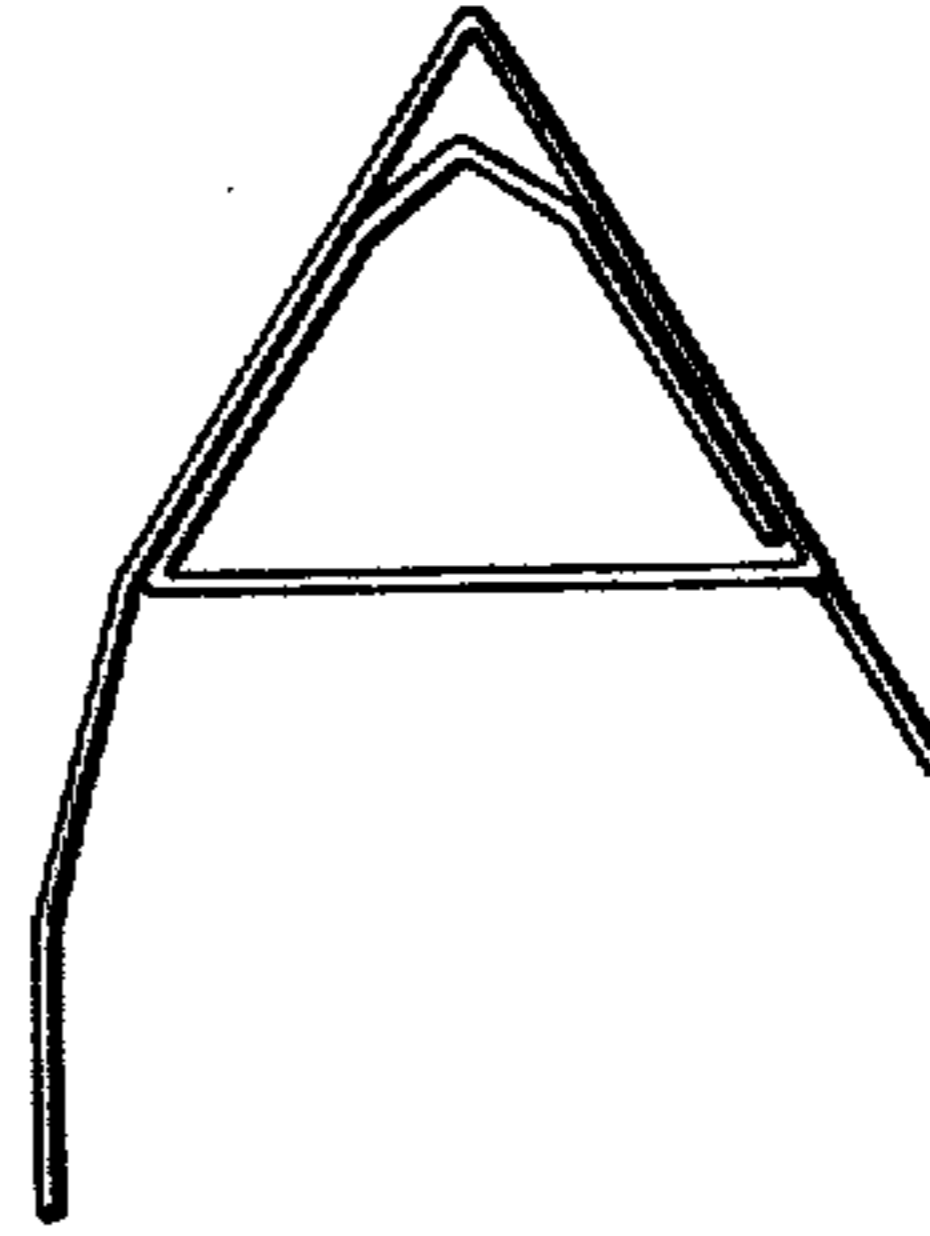


Fig. 4

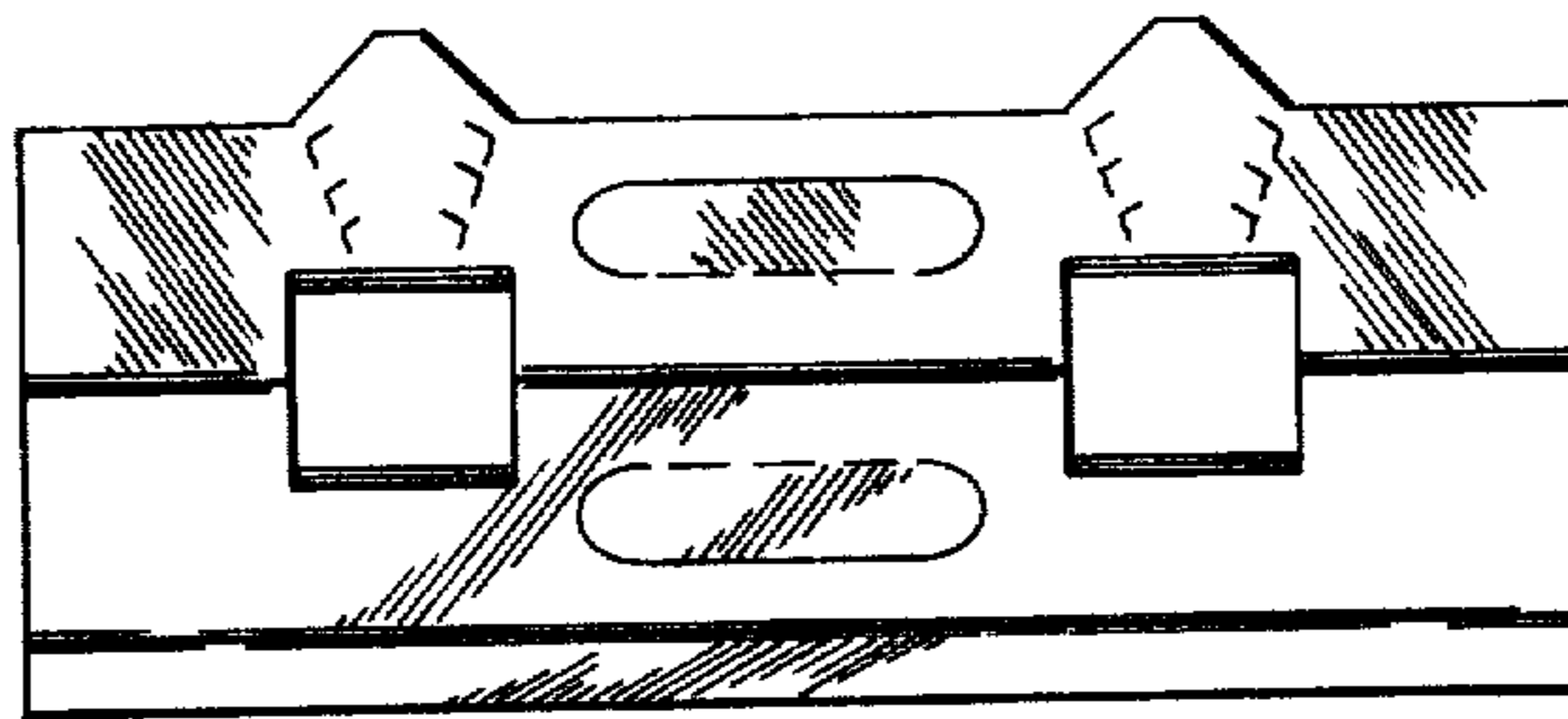


Fig. 5

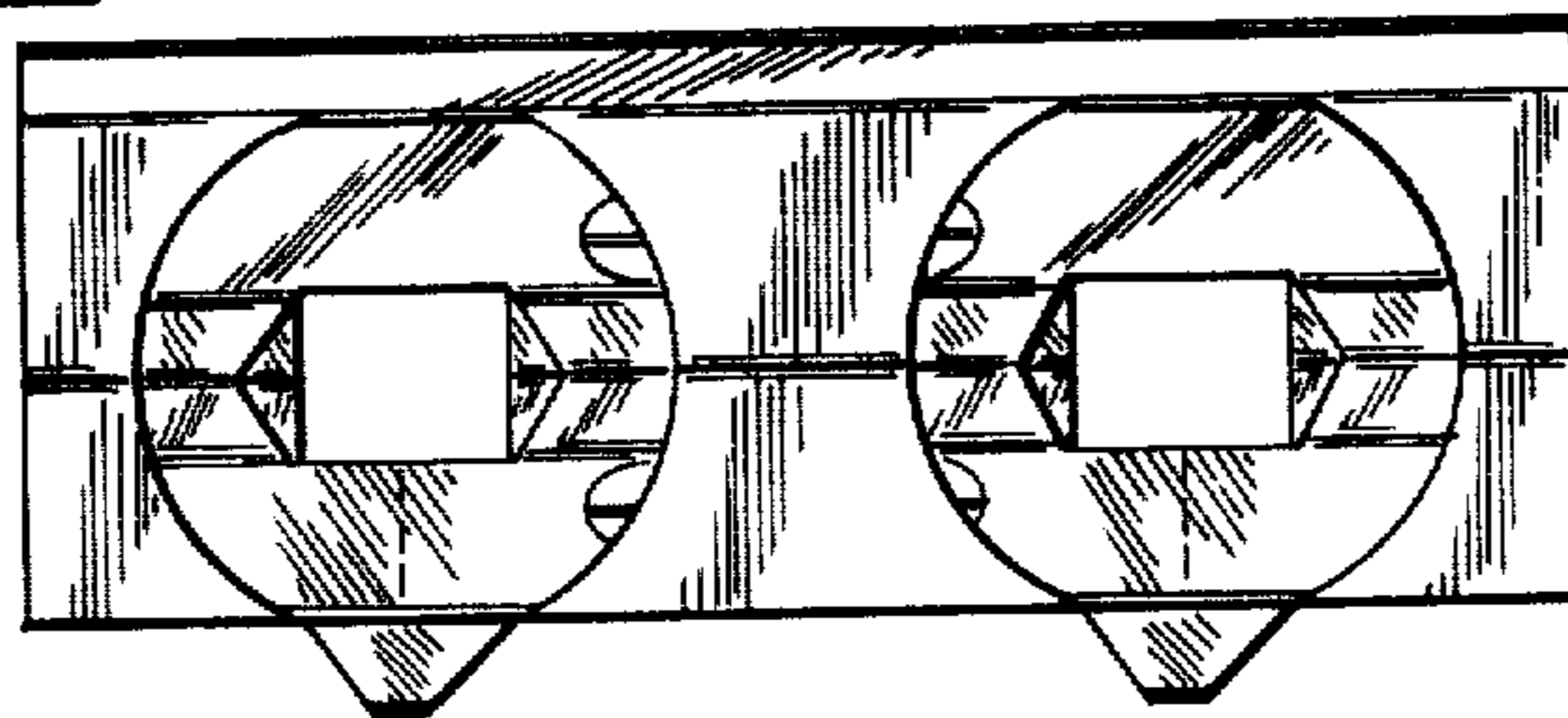


Fig. 6