

[54] PACKING CONTAINER FOR SAFETY RAZORS

[75] Inventor: Frederick B. Hadtke, New Providence, N.J.

[73] Assignee: American Safety Razor Company, Verona, Va.

[\*\*] Term: 14 Years

[21] Appl. No.: 159,727

[22] Filed: Jun. 16, 1980

[51] Int. Cl. .... D9-03

[52] U.S. Cl. .... D9/342; D9/415; D9/418

[58] Field of Search .... D9/342, 415, 418; 206/228, 461-471

[56] References Cited

U.S. PATENT DOCUMENTS

D. 243,443	2/1977	Hayashi .....	D9/415
D. 253,040	10/1979	Fournier et al. ....	D9/415 X
3,523,921	9/1950	Pratt .....	206/228 X
3,972,417	8/1976	Iten et al. ....	206/461 X

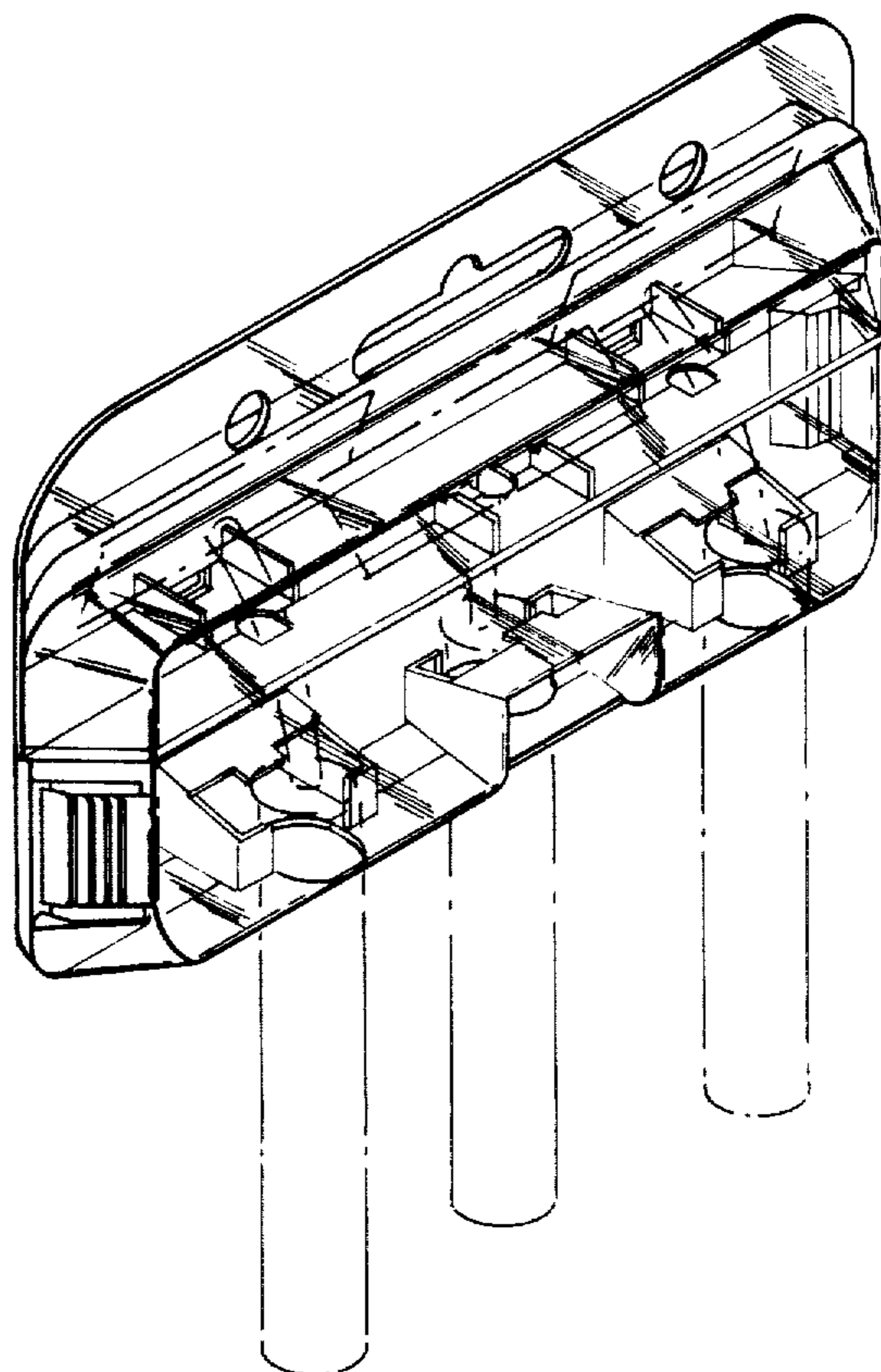
Primary Examiner—Robert C. Spangler  
Attorney, Agent, or Firm—Wender, Murase & White

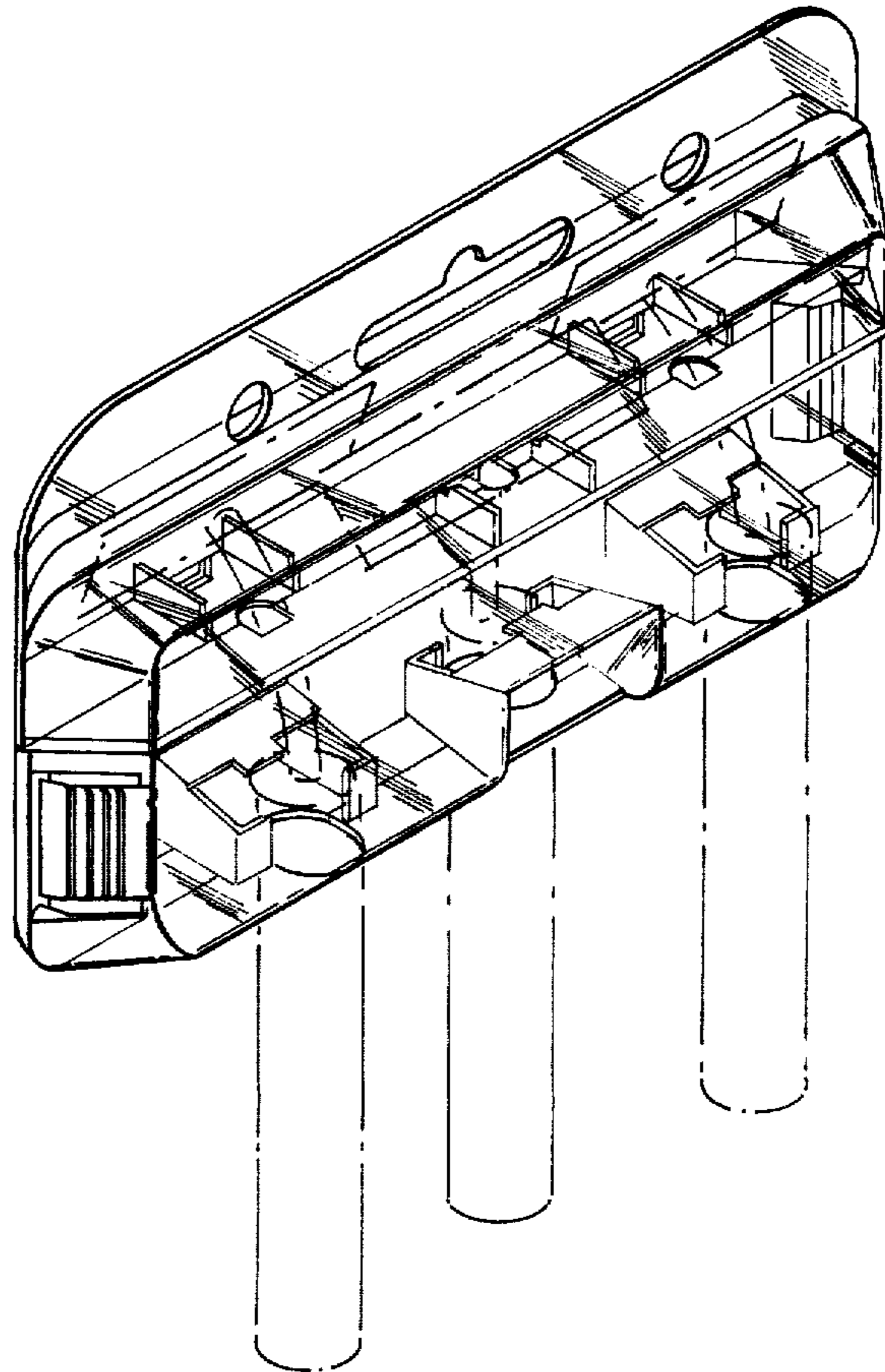
[57] CLAIM

The ornamental design for a packaging container for safety razors, as shown and described.

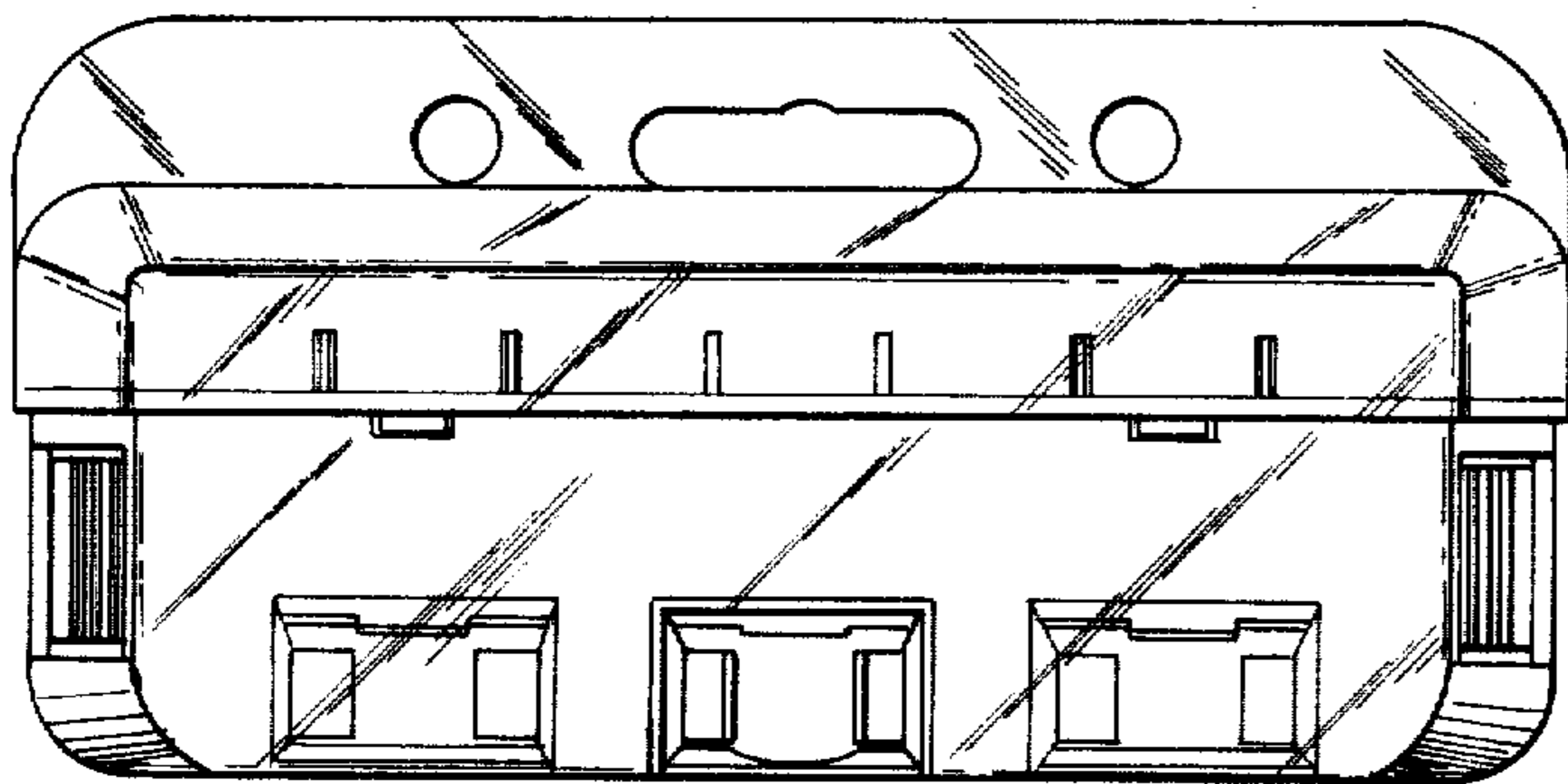
DESCRIPTION

FIG. 1 is a perspective view of a packaging container for safety razors showing my new design; FIG. 2 is a front elevational view; FIG. 3 is a side elevational view; FIG. 4 is a rear elevational view; FIG. 5 is a bottom plan view; FIG. 6 is a top plan view; and FIG. 7 is an exploded perspective view thereof. The broken lines in the drawings showing safety razors are for illustrative purposes only.

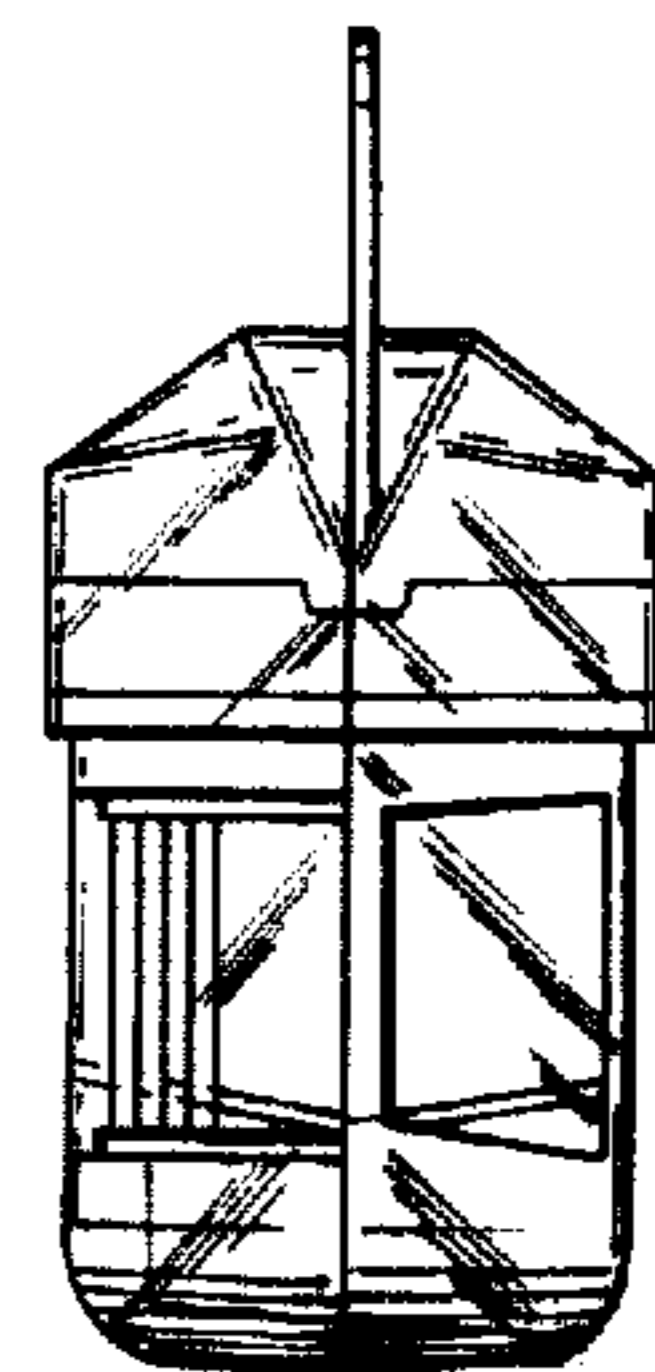




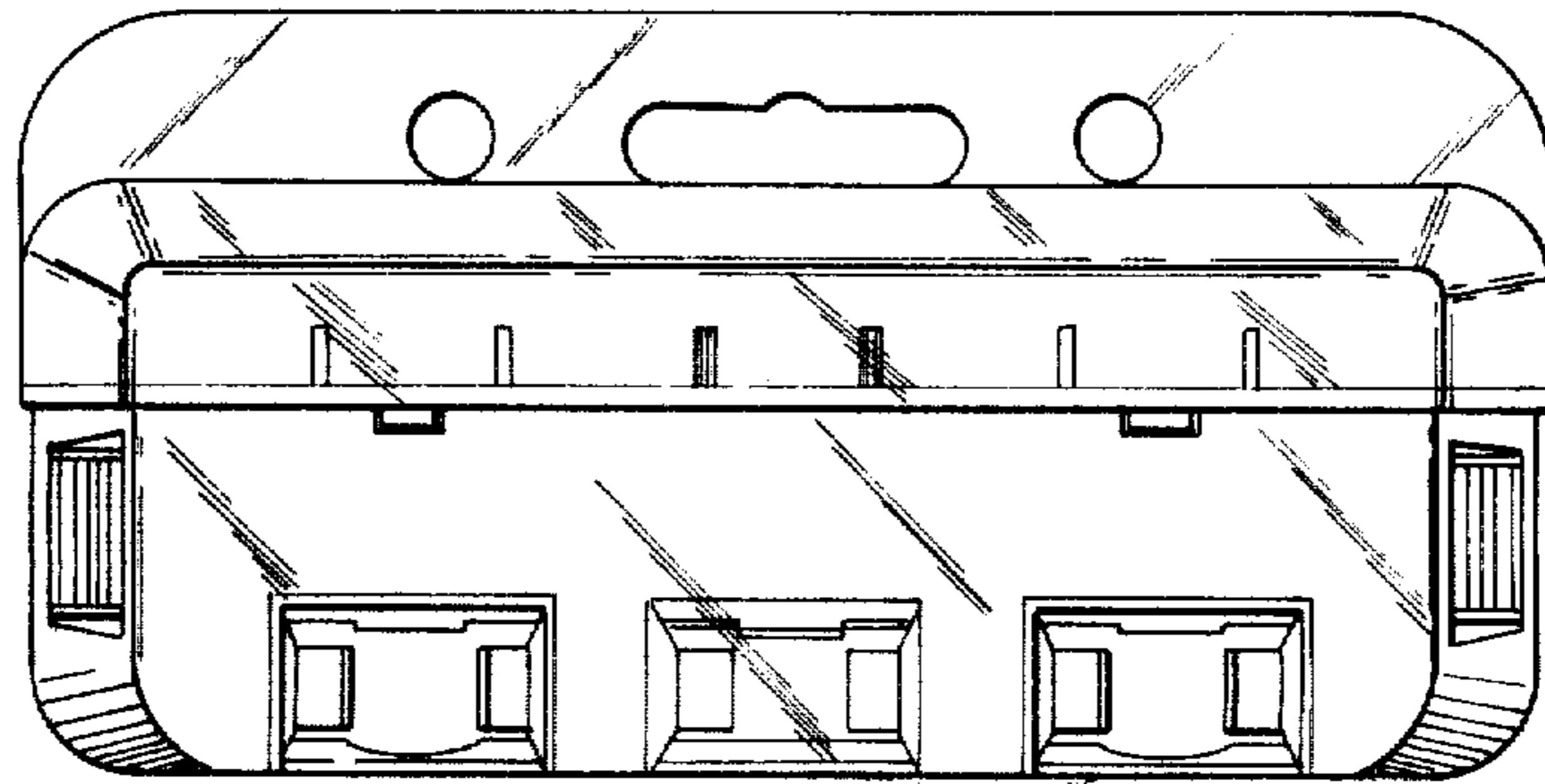
**FIG. 1**



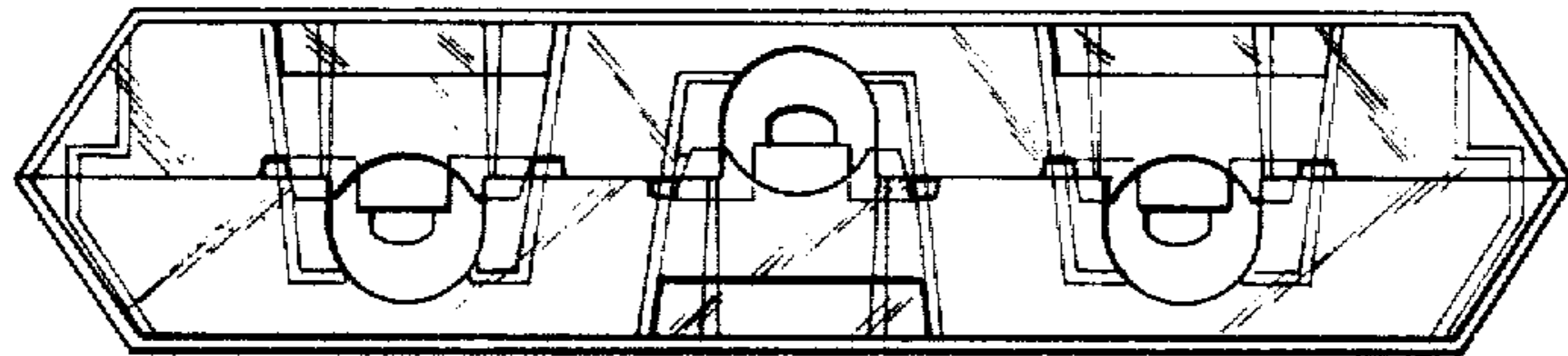
**FIG. 2**



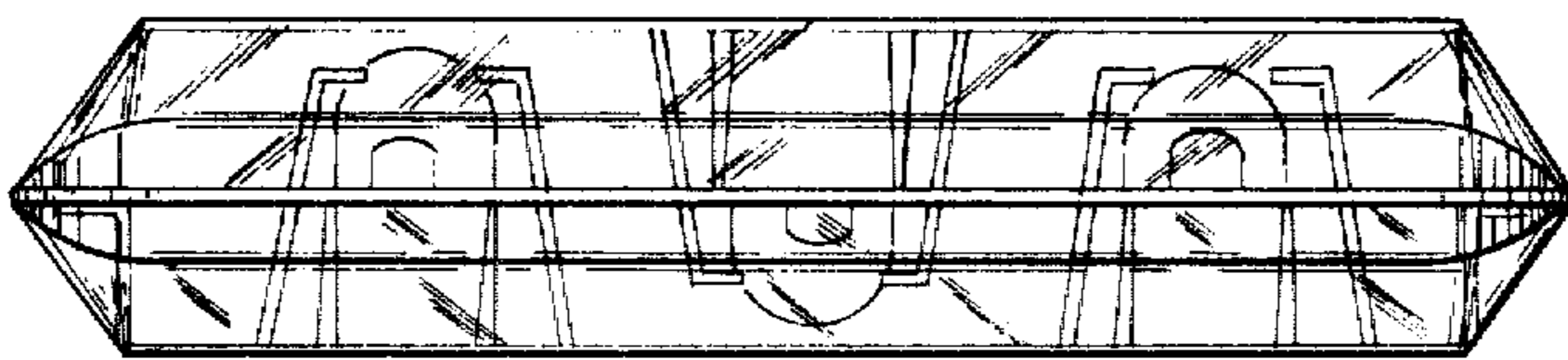
**FIG. 3**



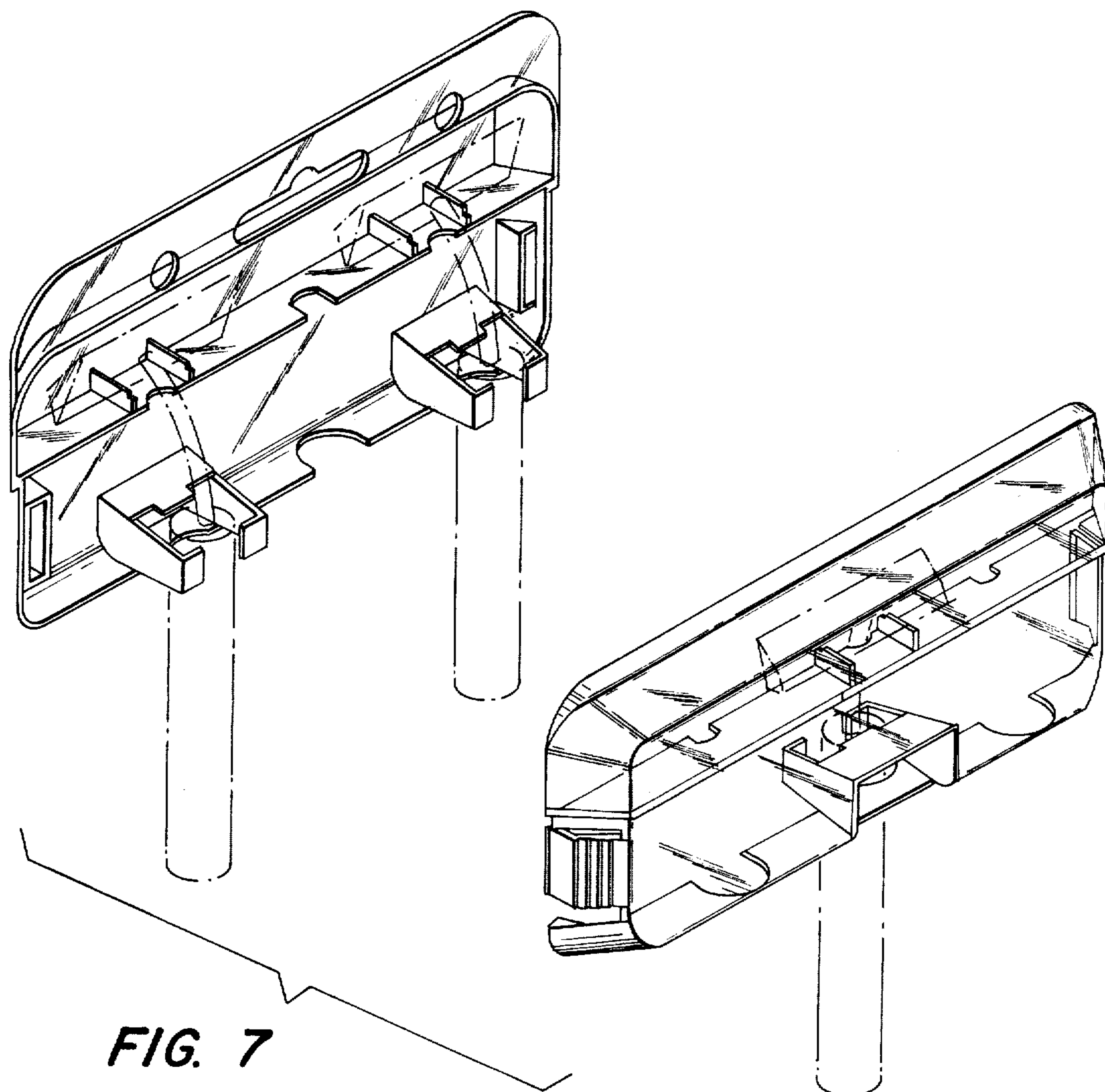
**FIG. 4**



**FIG. 5**



**FIG. 6**



**FIG. 7**