

[54] WET POST ANCHOR BASE

[75] Inventors: Walter G. Hentzschel, Bethesda; George W. Kingston, Chevy Chase, both of Md.

[73] Assignee: TECO Products & Testing Corporation, Washington, D.C.

[\*\*] Term: 14 Years

[21] Appl. No.: 161,872

[22] Filed: Jun. 23, 1980

[51] Int. Cl. .... D8-08

[52] U.S. Cl. .... D8/354; D8/366; D8/380; D25/77

[58] Field of Search ..... D8/366, 354, 363, 373, D8/376, 380, 382; D25/77, 78; 52/292, 295, 296, 713, 715

[56] References Cited

U.S. PATENT DOCUMENTS

D. 256,663 9/1980 Gilb ..... D8/354  
4,199,908 4/1980 Teeters ..... D25/77 X

OTHER PUBLICATIONS

Sweet's Architectural Catalog File, 1978, 6.6/Sim, p. 17, post base at top right.

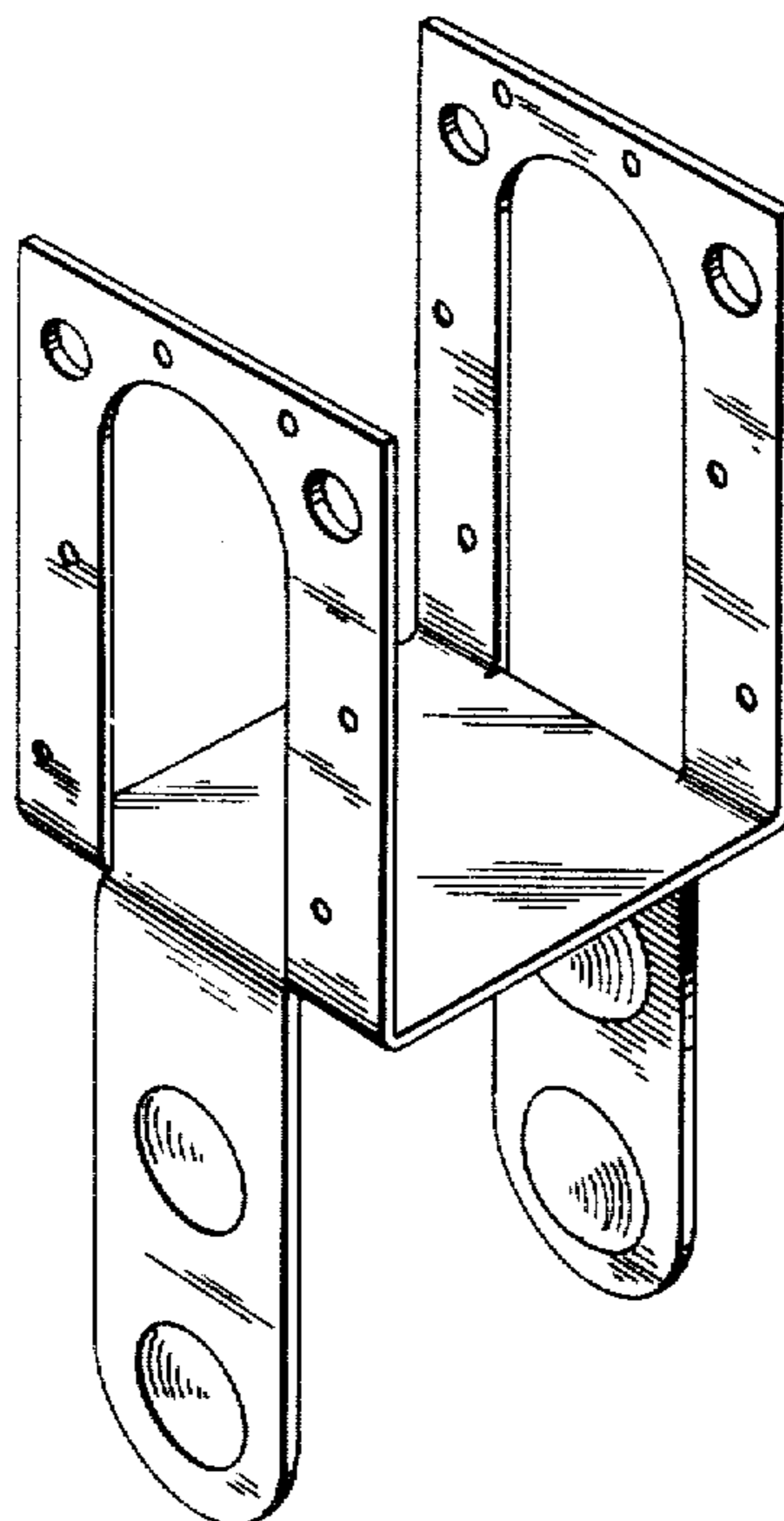
Primary Examiner—A. Hugo Word  
Attorney, Agent, or Firm—Burns, Doane, Swecker & Mathis

[57] CLAIM

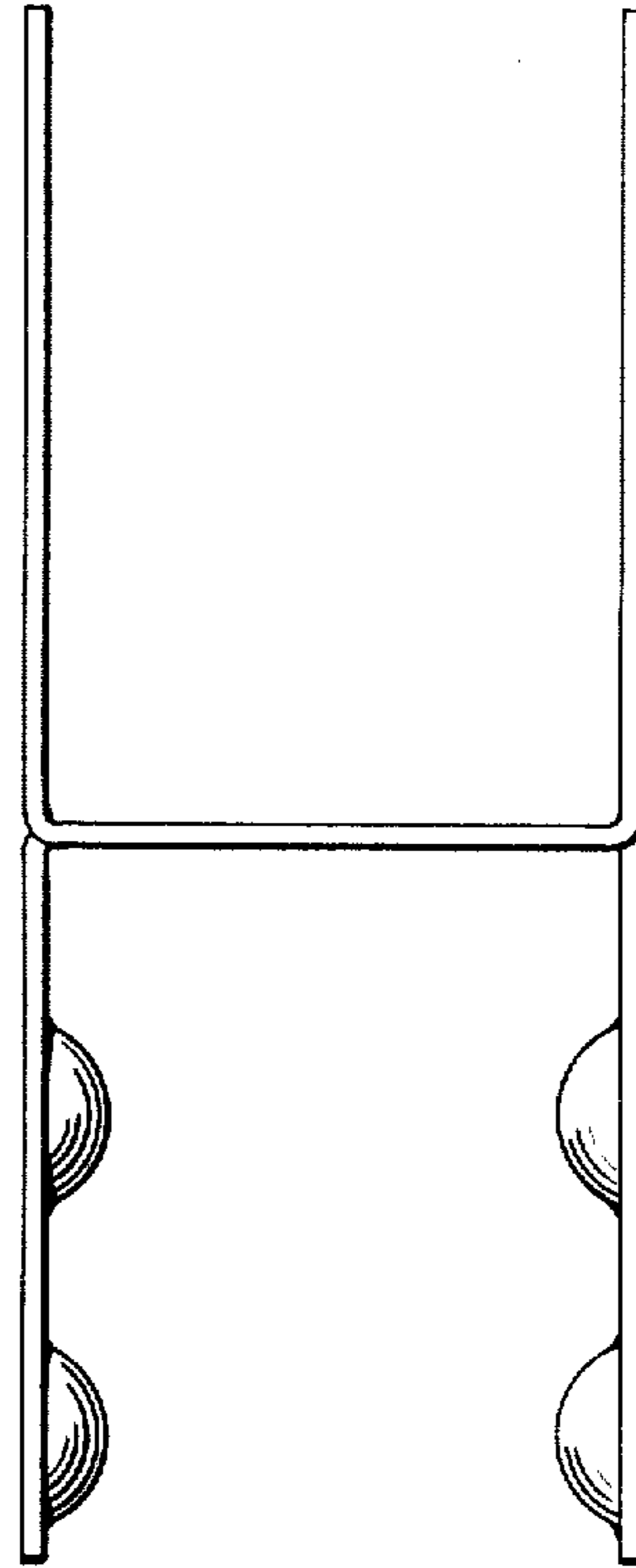
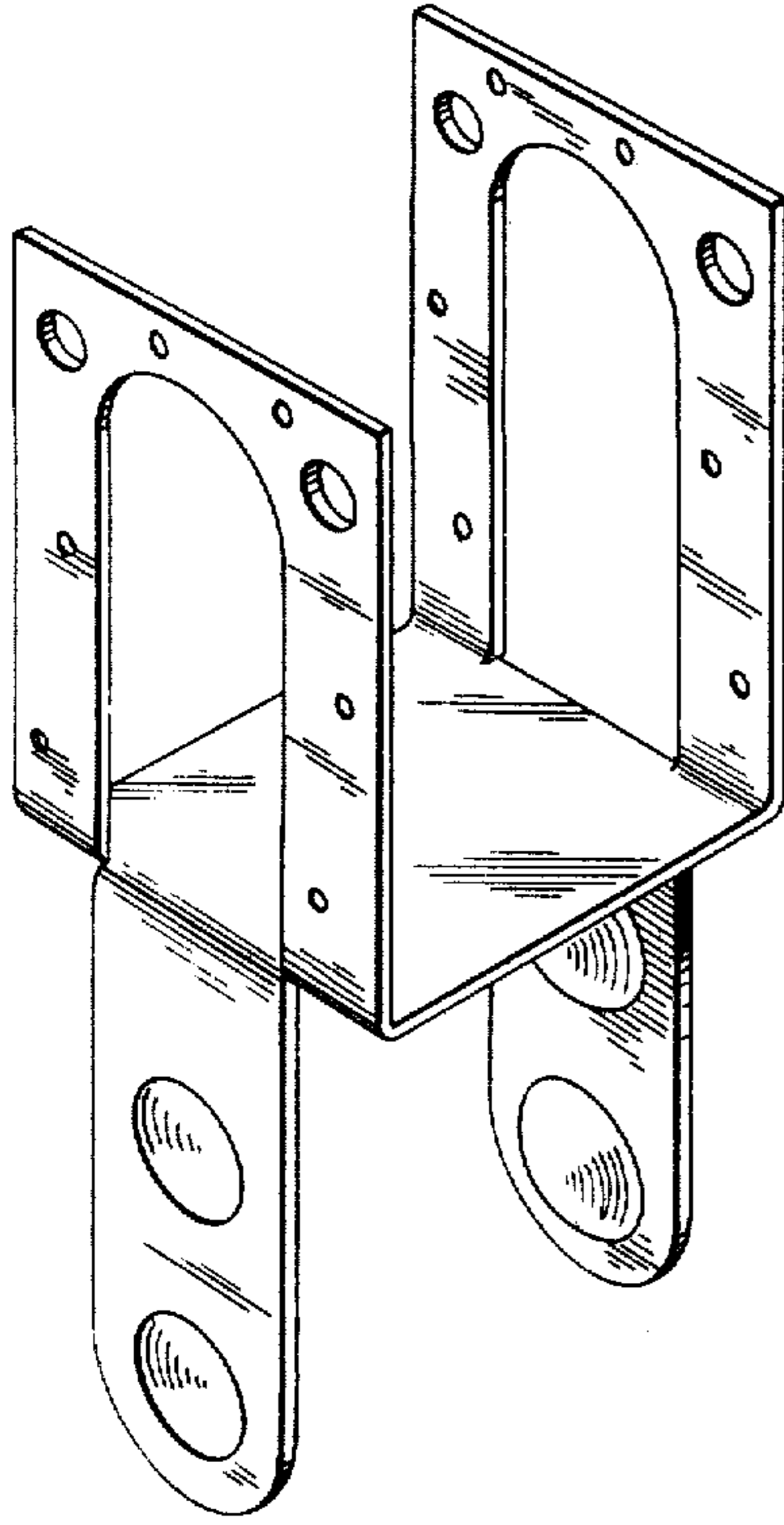
The ornamental design for a wet post anchor base, as shown.

DESCRIPTION

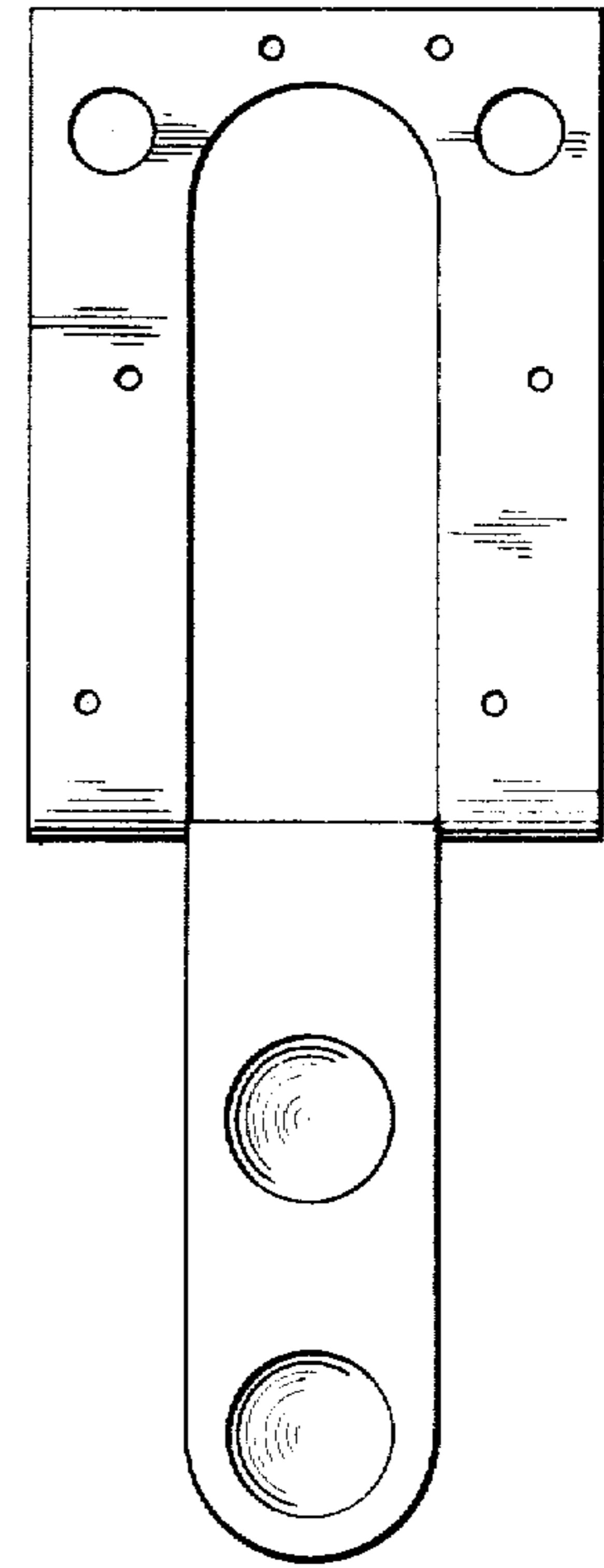
FIG. 1 is a pictorial view of the wet post anchor base according to the present invention;  
FIG. 2 is a front view of the wet post anchor base of FIG. 1;  
FIG. 3 is a side view of the wet post anchor base of FIG. 1;  
FIG. 4 is a top view of the wet post anchor base of FIG. 1; and  
FIG. 5 is a bottom view of the wet post anchor base of FIG. 1.



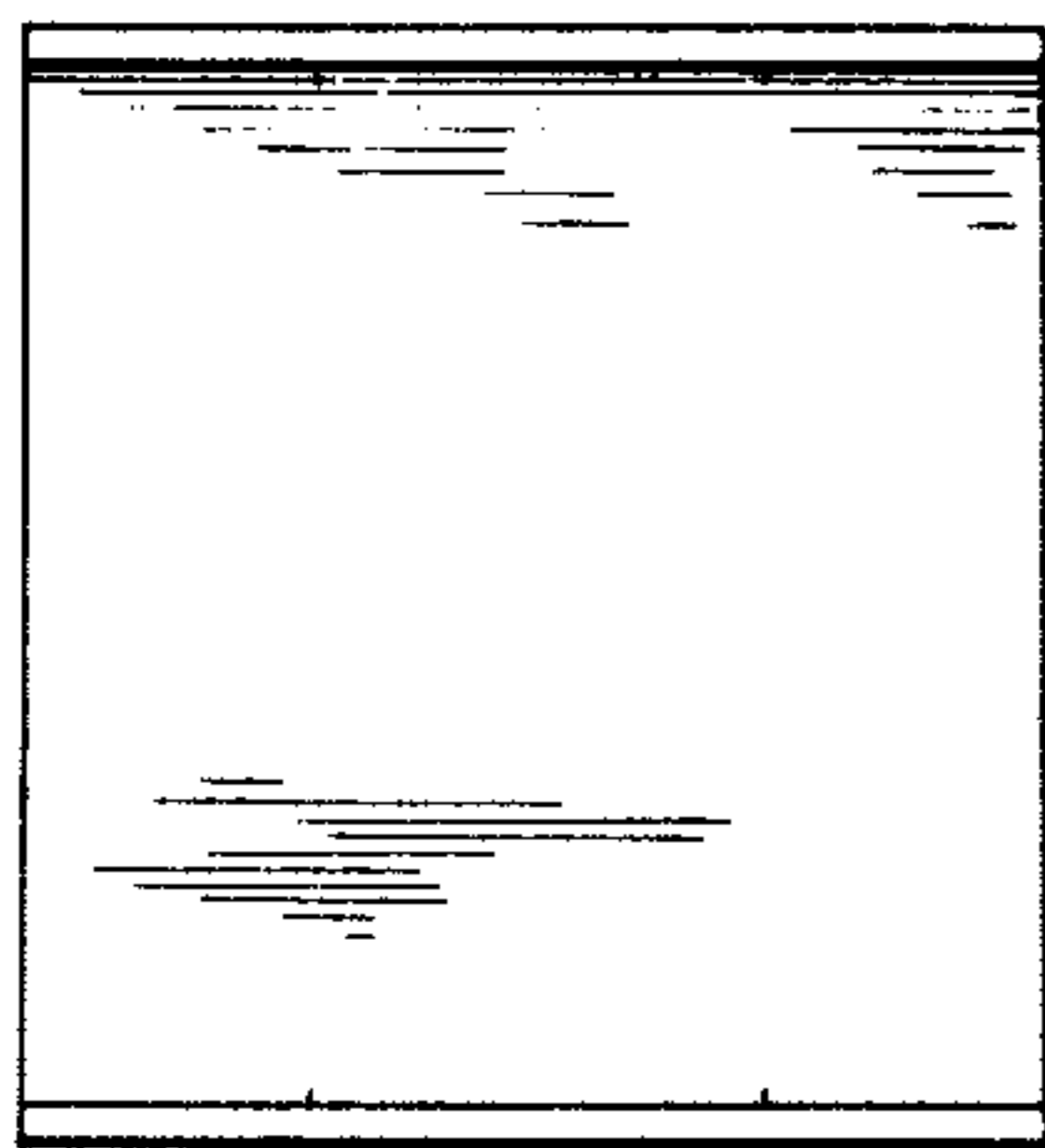
*Fig. 1*



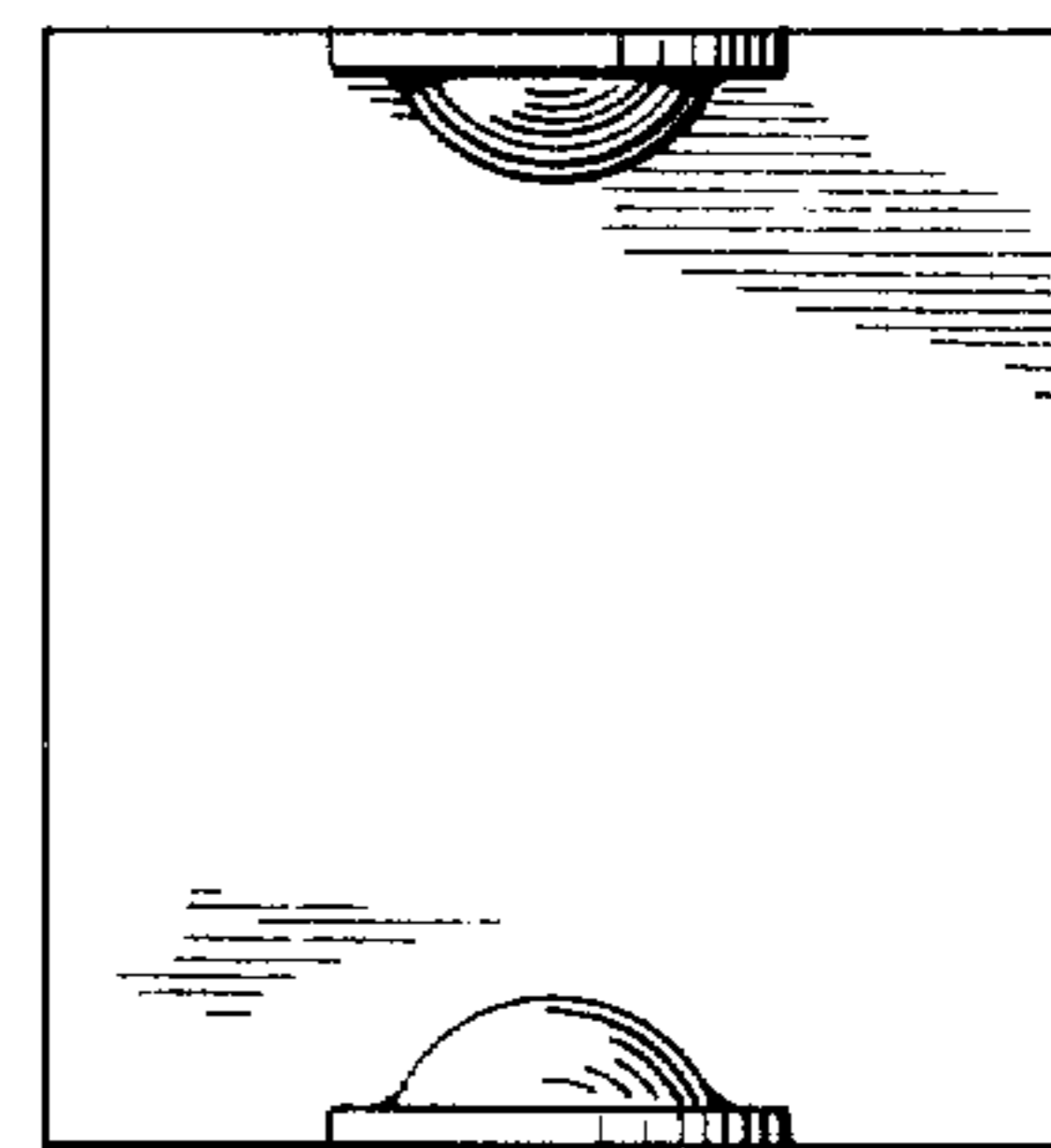
*Fig. 2*



*Fig. 3*



*Fig. 4*



*Fig. 5*