

[54] ELECTRONIC INFORMATION KEY

[75] Inventor: William P. Flies, Burnsville, Minn.

[73] Assignee: Datakey, Inc., Minneapolis, Minn.

[**] Term: 14 Years

[21] Appl. No.: 153,720

[22] Filed: May 27, 1980

[51] Int. Cl. D8-07

[52] U.S. Cl. D8/347

[58] Field of Search D13/99; D8/347; D14/114; 361/171, 172; 340/365 R; 200/42, 44; 235/825.3

[56] References Cited

U.S. PATENT DOCUMENTS

D. 223,432	4/1972	Eisenreich	D8/347
D. 246,761	12/1977	Kelley et al.	D8/347
3,660,831	5/1972	Nichola et al. .	
3,673,467	6/1972	Eisenreich .	
3,686,659	8/1972	Bostrom .	
3,842,629	10/1974	Pazer et al. .	

3,845,362	10/1974	Roe .
3,848,229	11/1974	Perron et al. .
3,859,634	1/1975	Perron et al. .
3,889,501	6/1975	Fort .
4,023,161	10/1977	Sasaki .

Primary Examiner—Susan J. Lucas
Attorney, Agent, or Firm—Schroeder, Siegfried, Vidas, Steffey & Arrett

[57] CLAIM

The ornamental design for an electronic information key, as shown and described.

DESCRIPTION

FIG. 1 is a perspective view of an electronic information key embodying my new design; FIG. 2 is a side elevational view of the design of FIG. 1; FIG. 3 is a bottom plan view (a top plan view if included would be the same) of the design of FIG. 1; FIG. 4 is an end elevational view taken from the left-hand end of FIG. 2, and FIG. 5 is an end elevational view taken from the right-hand end of FIG. 2.

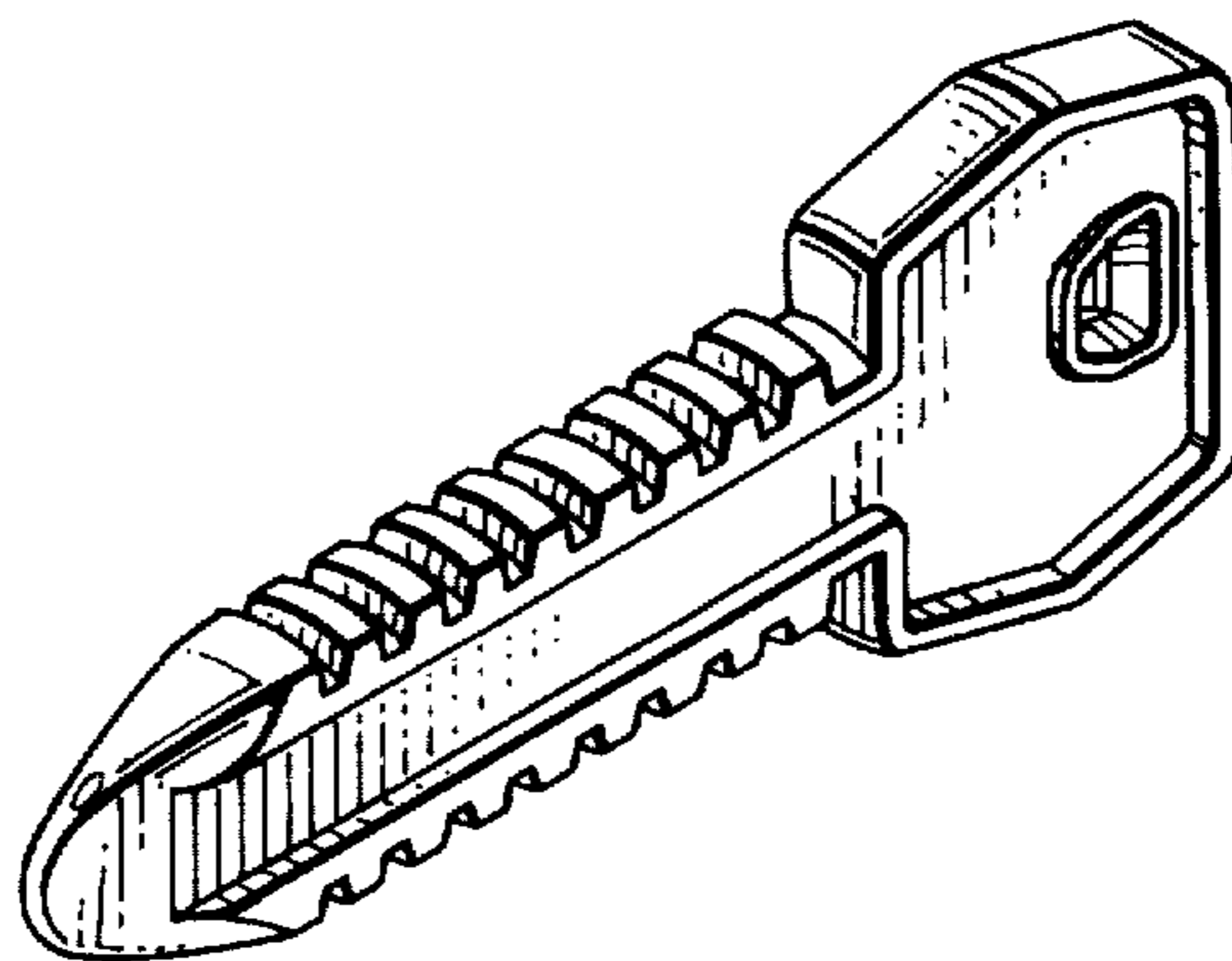


Fig. 1

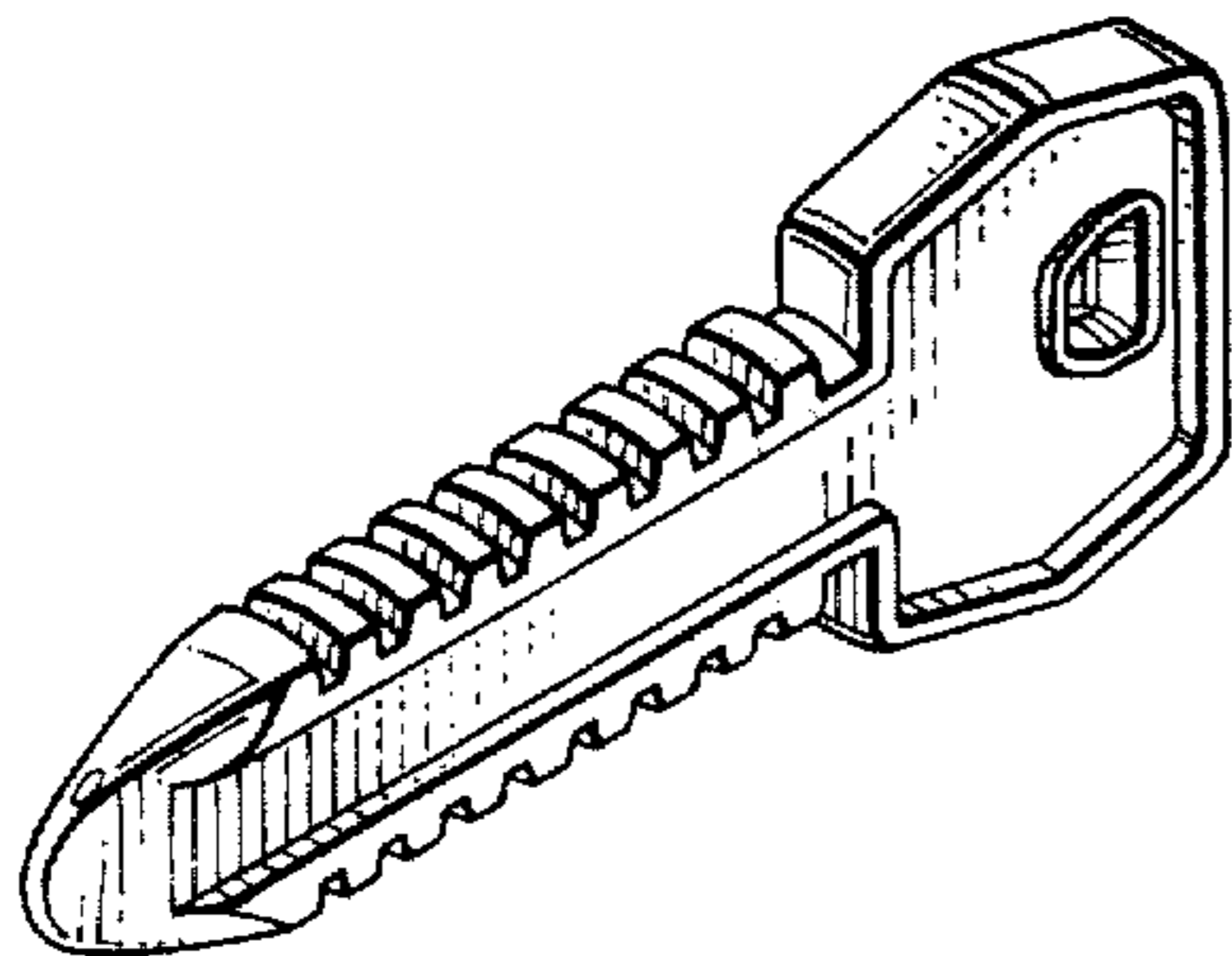


Fig. 2

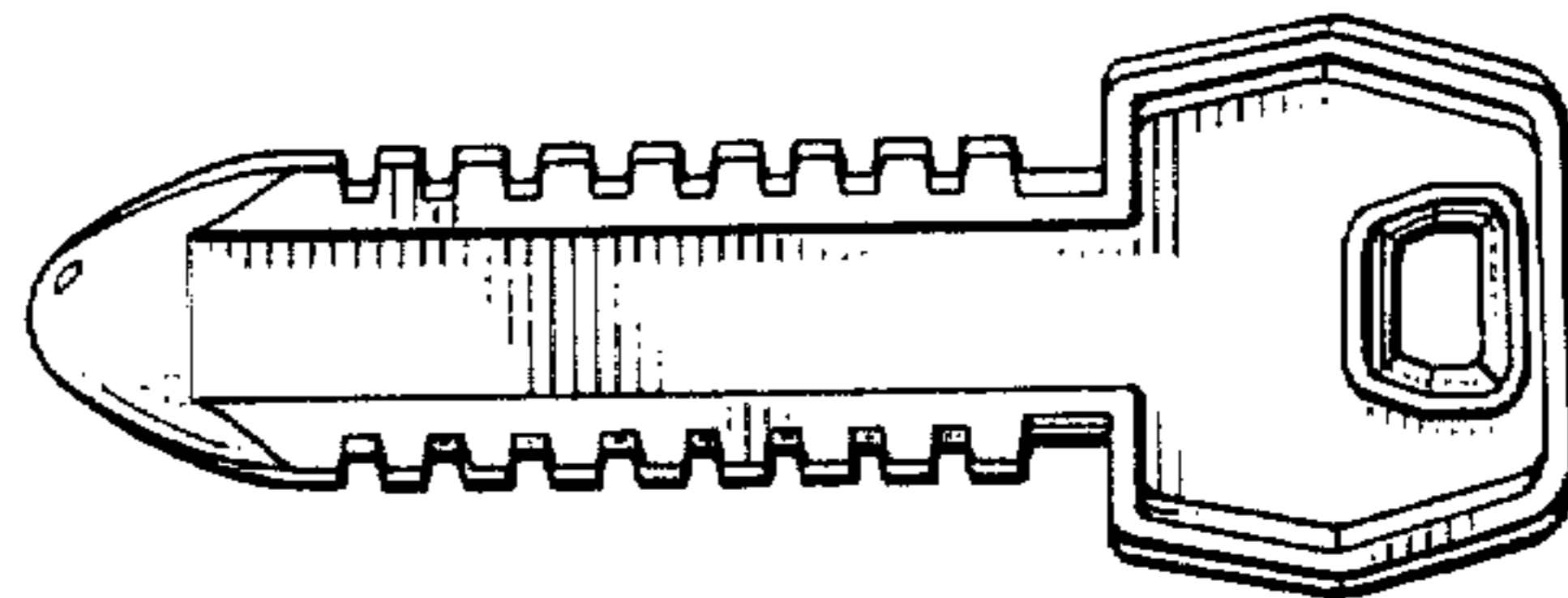


Fig. 4



Fig. 3



Fig. 5

