

[54] HINGED CLAMP

[75] Inventor: **James F. Guardia**, Yorba Linda, Calif.

[73] Assignee: **Cal-Tuf Glass Corporation**, Alhambra, Calif.

[**] Term: **14 Years**

[21] Appl. No.: **137,859**

[22] Filed: **Apr. 7, 1980**

[51] Int. Cl. **D8-06; D8-08**

[52] U.S. Cl. **D8/328; D8/394**

[58] Field of Search **D8/323, 327, 328, 394; 16/158**

D. 229,743 1/1974 Moore D8/395

2,240,729 5/1941 Von Palmenberg 16/158

2,268,669 1/1942 Moore 16/158

3,153,807 10/1964 Nyman 16/158

OTHER PUBLICATIONS

Visual Merchandising; 10/1978; p. 28; link connector (bottom right of p.).

Primary Examiner—B. J. Bullock
Attorney, Agent, or Firm—Herzig & Walsh, Incorporated

CLAIM

The ornamental design for a hinged clamp, substantially as shown and described.

DESCRIPTION

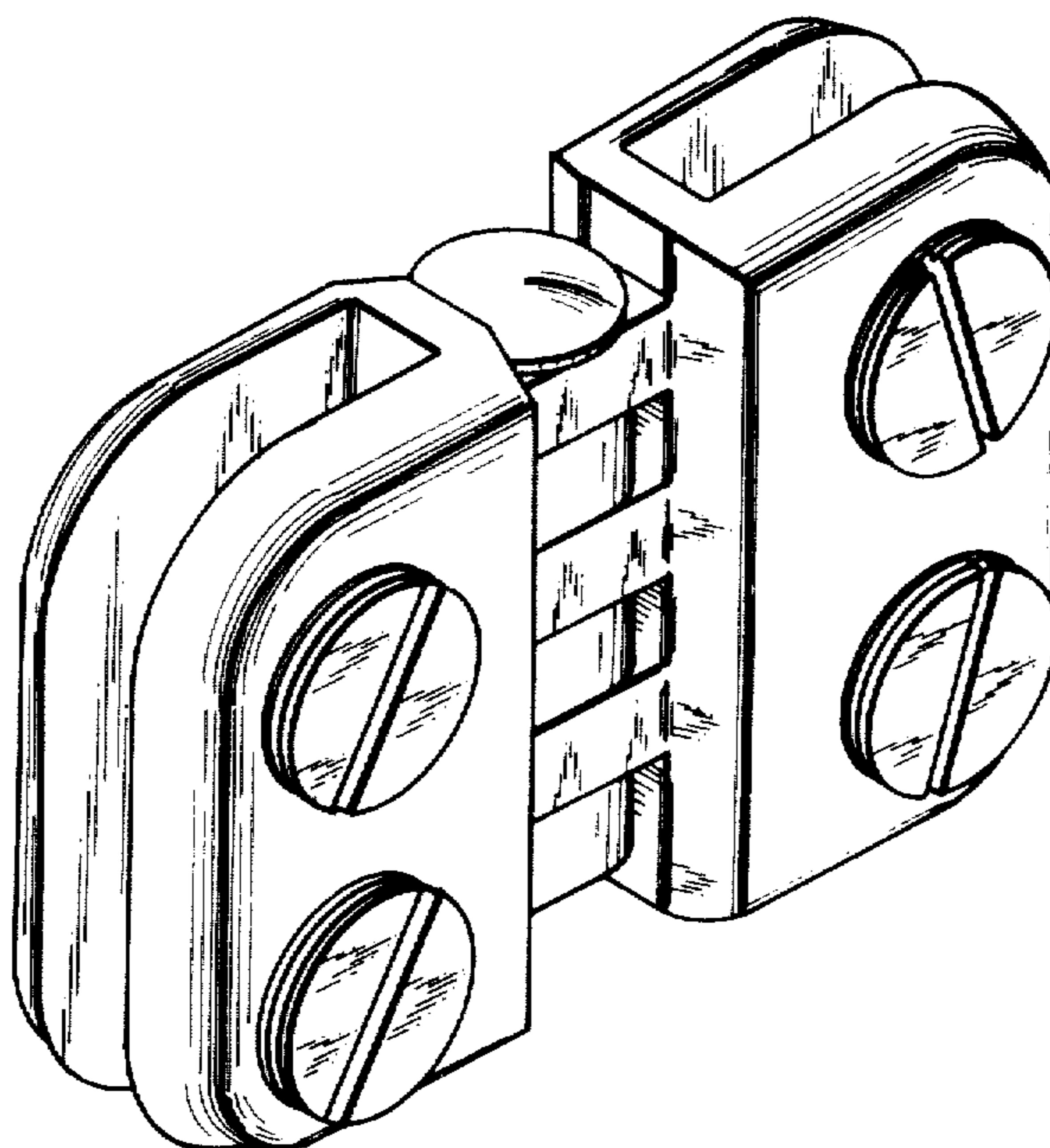
FIG. 1 is an isometric view of the hinged clamp showing my new design;
FIG. 2 is an end view taken from the right of FIG. 1;
FIG. 3 is a rear view thereof;
FIG. 4 is a bottom view thereof.

[56] **References Cited**

U.S. PATENT DOCUMENTS

D. 22,875 11/1893 Holmes et al. D8/328

D. 204,872 5/1966 Davis D8/323



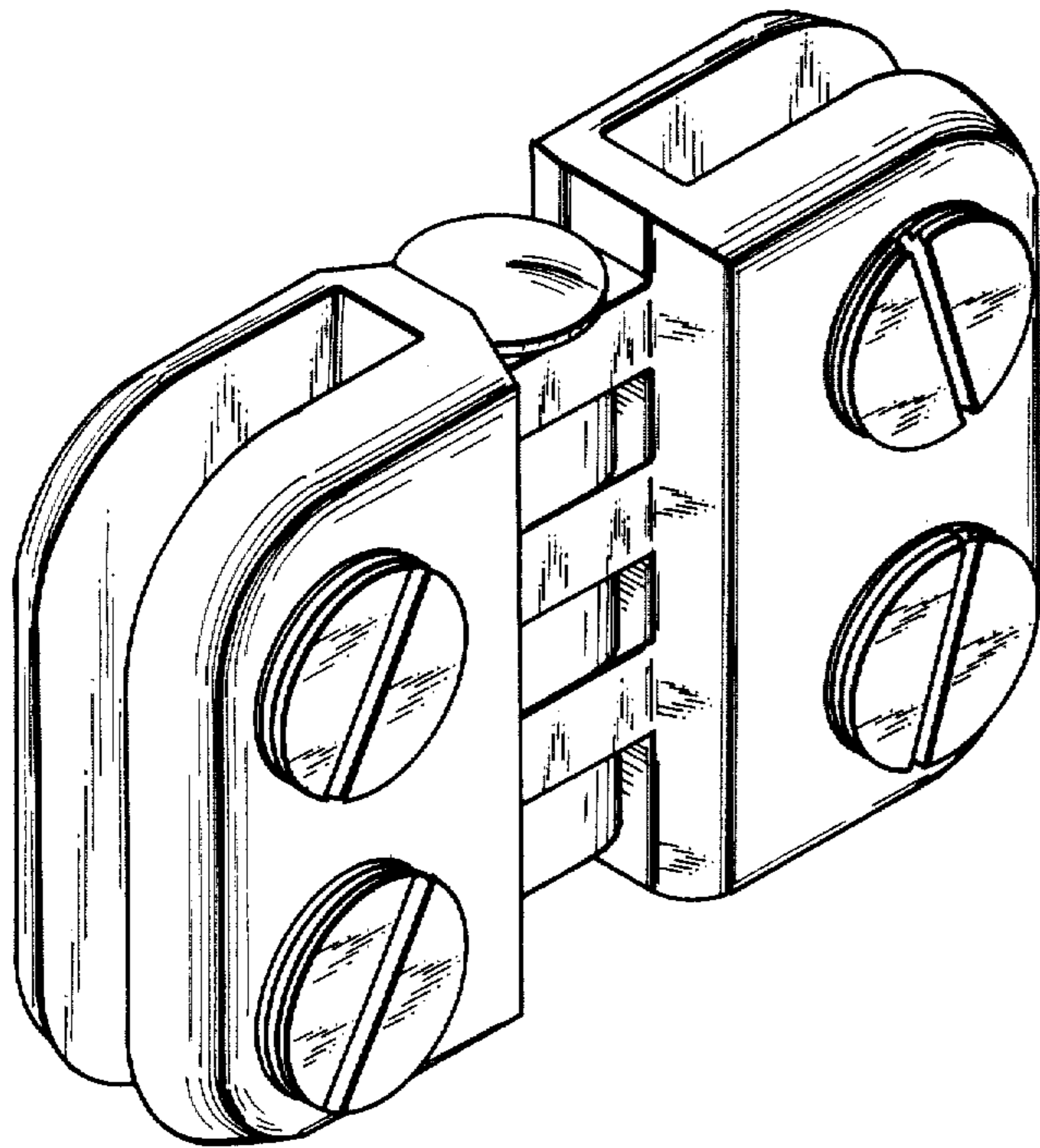


Fig. 1

Fig. 2

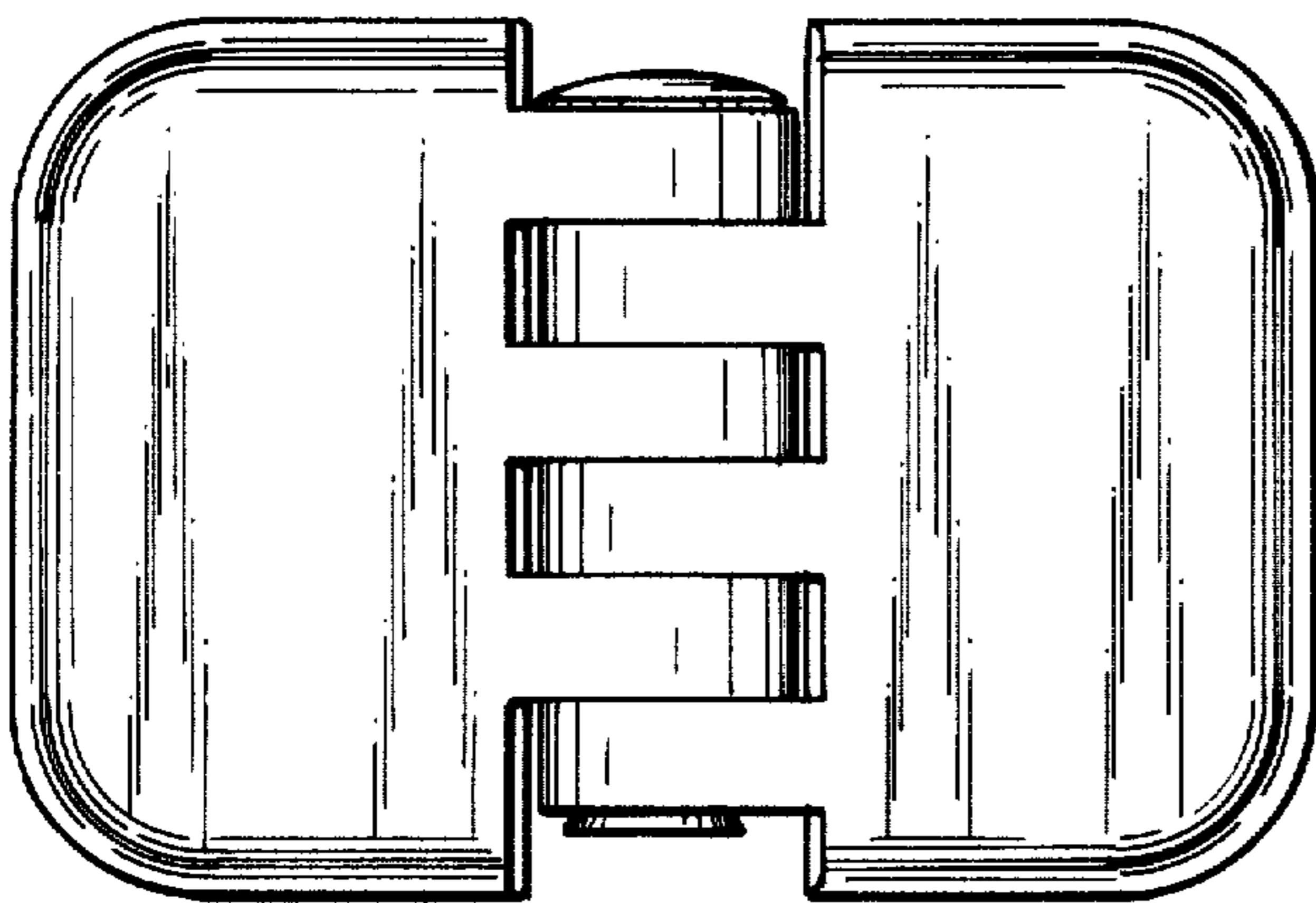
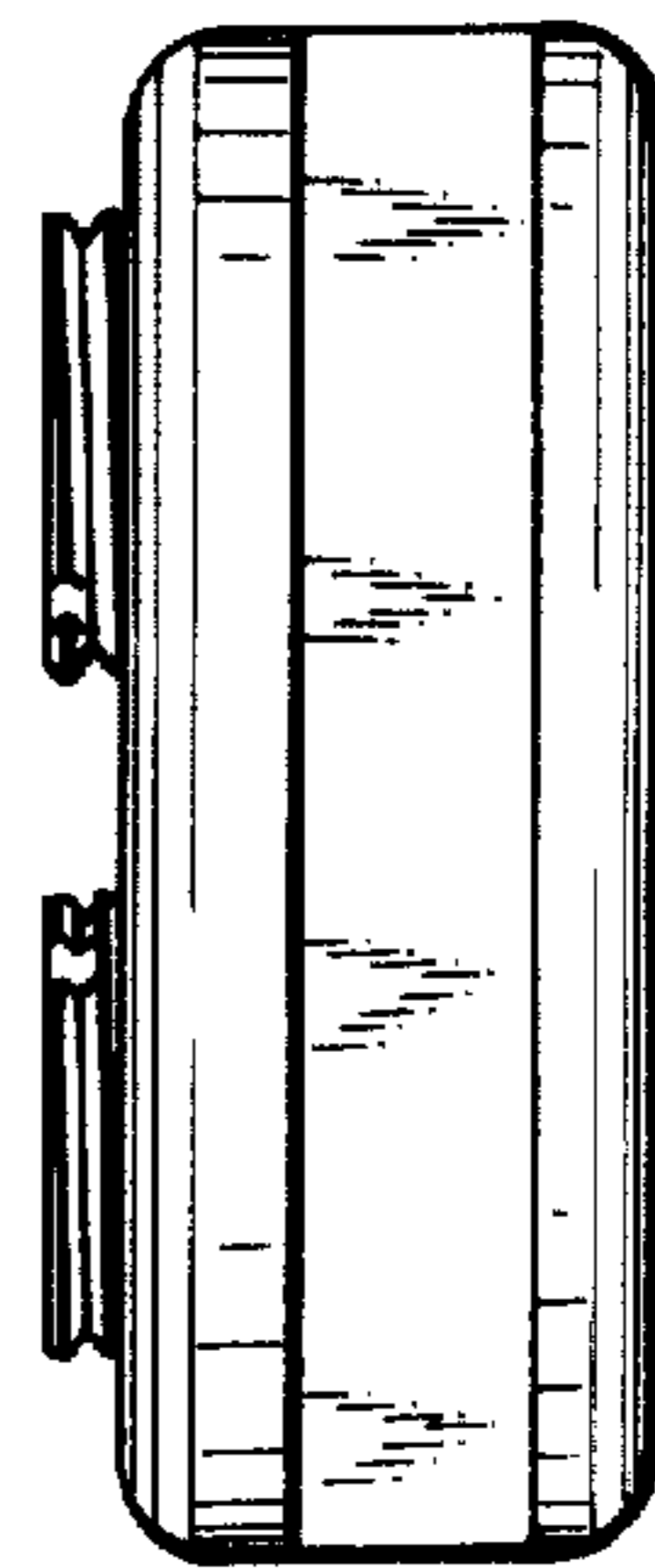


Fig. 3

Fig. 4

