

[54] DEVICE FOR DRYING CLOTHES

[76] Inventor: Masayo Taniyama, 1347, Fuchu, Wakayama-shi, Wakayama-Ken, Japan

[**] Term: 14 Years

[21] Appl. No.: 53,184

[22] Filed: Jun. 28, 1979

[51] Int. Cl. D7-05

[52] U.S. Cl. D32/58

[58] Field of Search D7/196, 197; D6/113, D6/116-119; D11/13, 86, 113-119, 195-197, 203, 205

[56] References Cited

U.S. PATENT DOCUMENTS

D. 255,315 6/1980 Koshiyama D7/196
1,937,911 12/1933 Pajeau 211/116

1,948,014 2/1934 Tuttle 211/115

FOREIGN PATENT DOCUMENTS

2405323 6/1979 France 211/118
480615 2/1938 United Kingdom 211/113

Primary Examiner—Catherine E. Kemper
Attorney, Agent, or Firm—Wenderoth, Lind & Ponack

[57] CLAIM

The ornamental design for a device for drying clothes, as shown.

DESCRIPTION

FIG. 1 is a front view of a device for drying clothes, showing the new design;
FIG. 2 is a rear view thereof;
FIG. 3 is a right side view thereof;
FIG. 4 is a left side view thereof;
FIG. 5 is a top view thereof; and
FIG. 6 is a bottom view thereof.

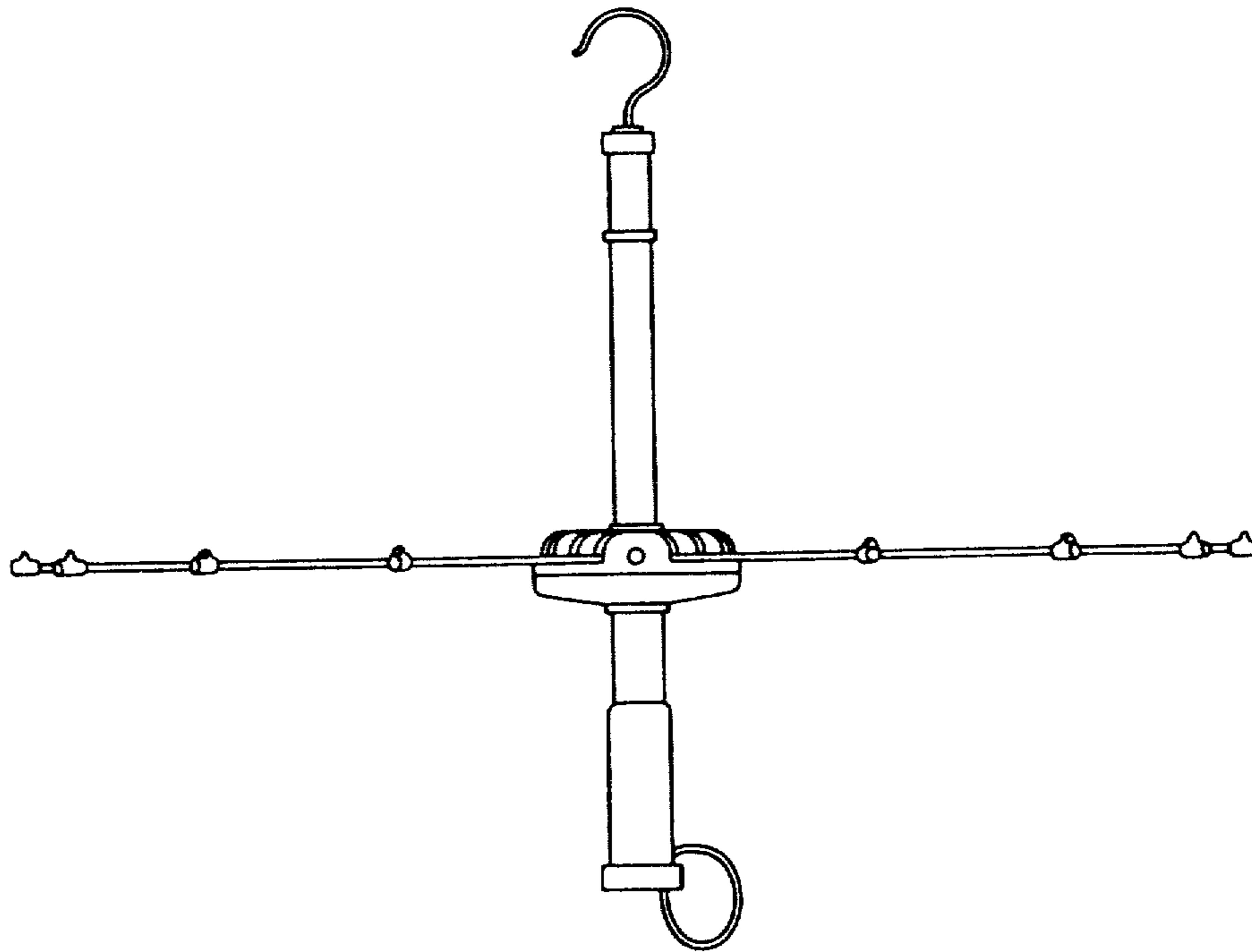


FIG. 1

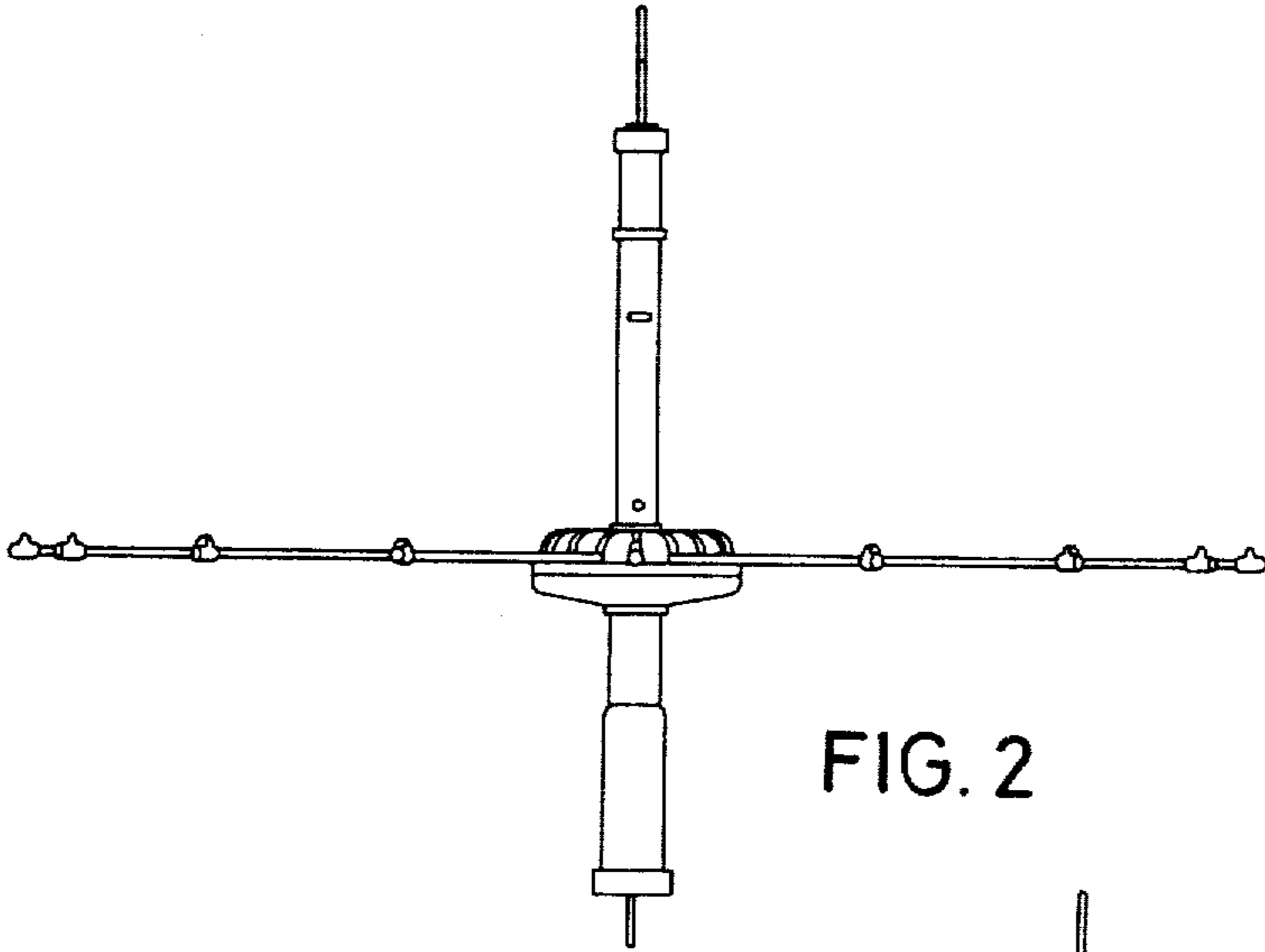


FIG. 2

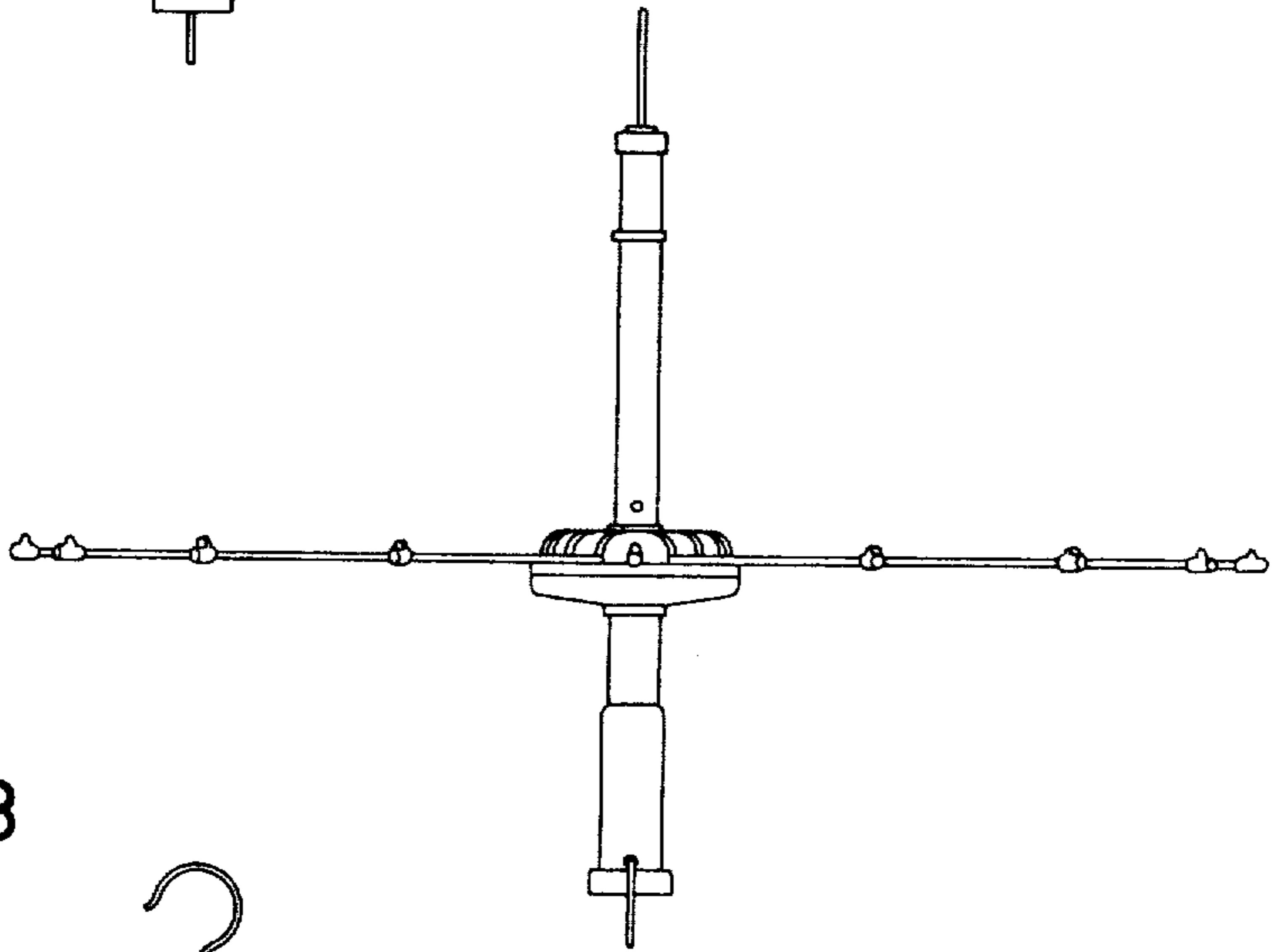


FIG. 3

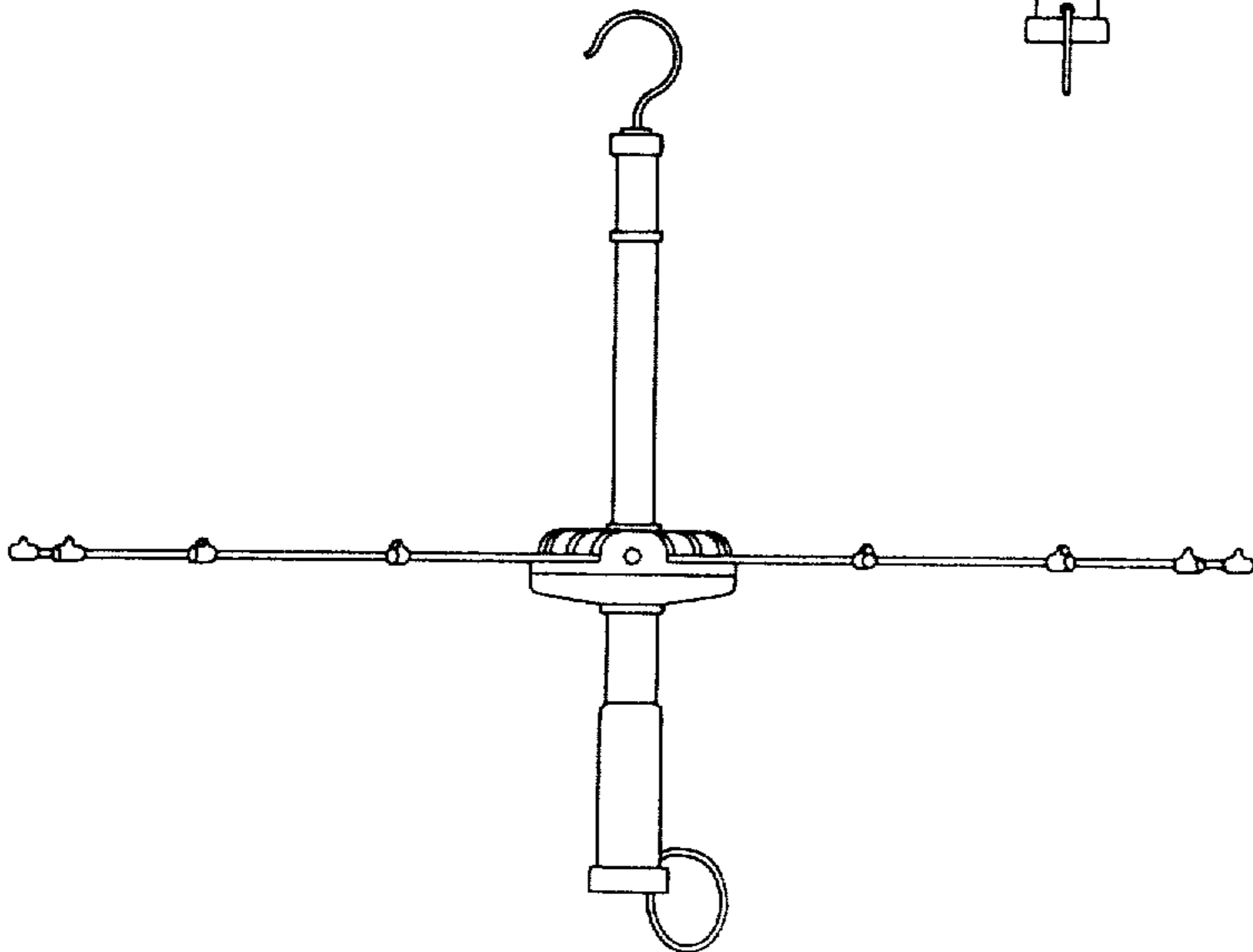


FIG. 4

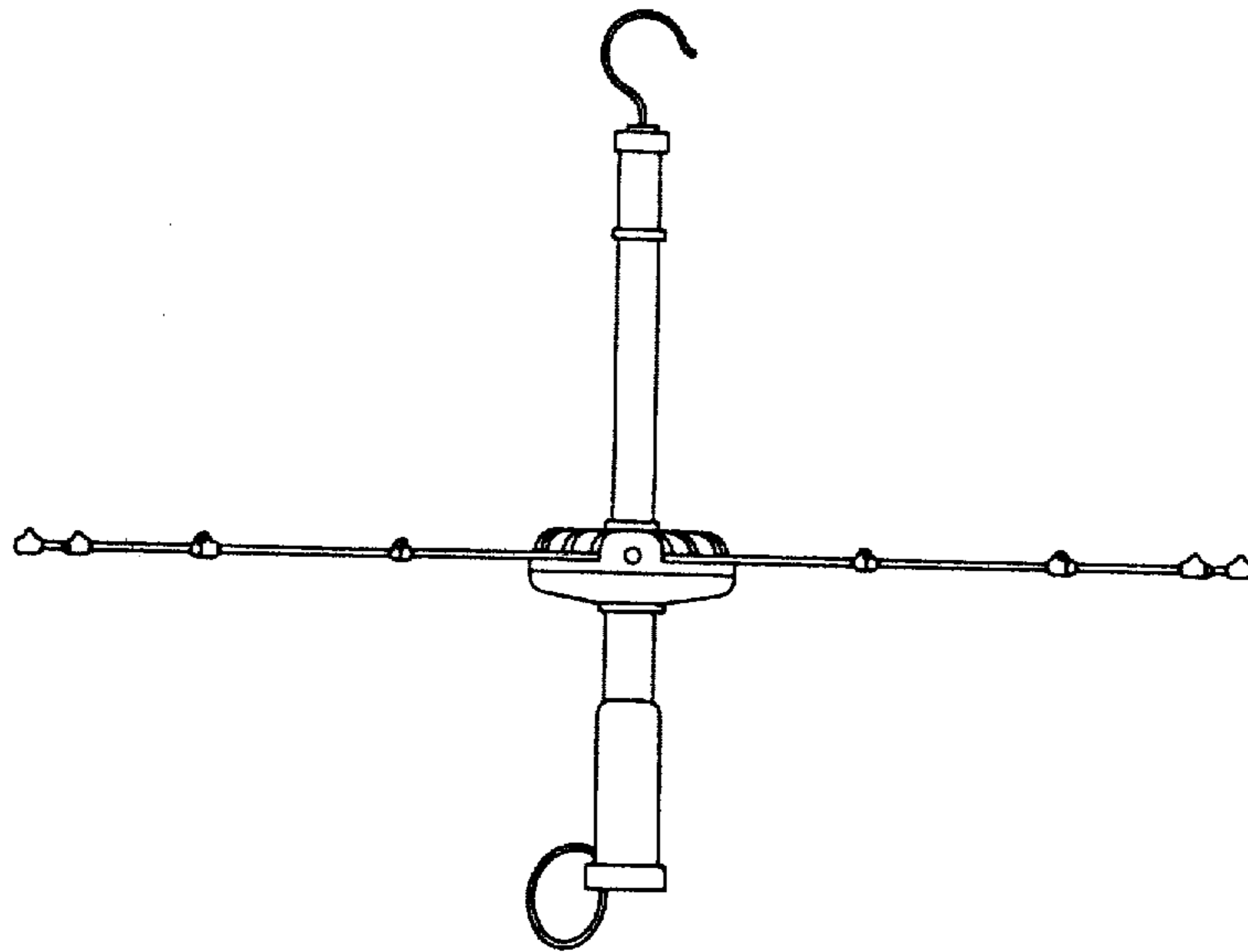


FIG. 5

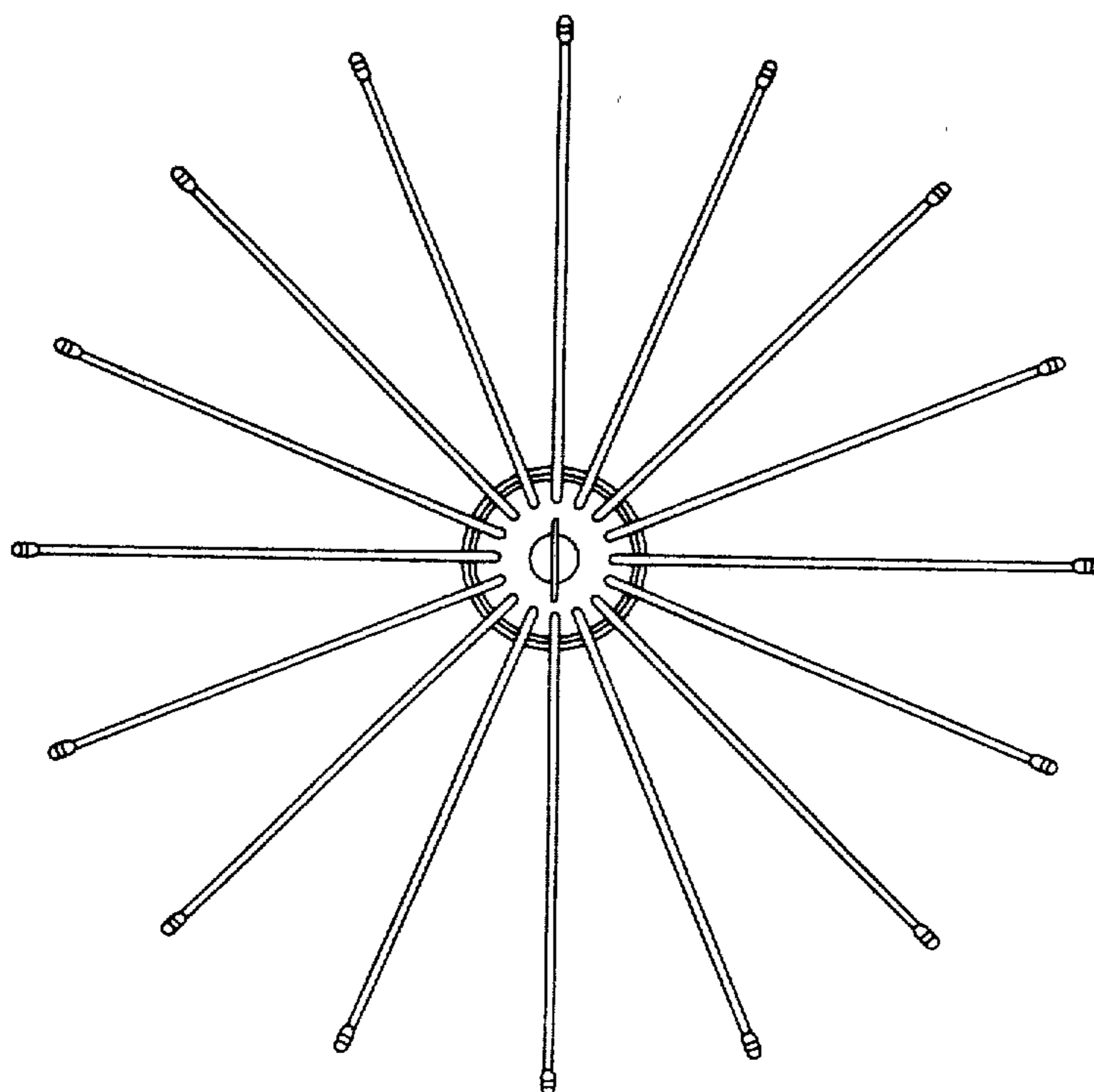


FIG. 6

