

[54] BEARING MEMBER FOR SUPPORTING A DRAWER ON A RUNNER

[75] Inventors: Leon G. Litchfield, Youlgrave; Terence Hardy, Ripley, both of England

[73] Assignee: L.B. (Plastics) Limited, Derby, England

[**] Term: 14 Years

[21] Appl. No.: 83,106

[22] Filed: Oct. 9, 1979

[51] Int. Cl. D6-06

[52] U.S. Cl. D6/191

[58] Field of Search D6/191; 312/330, 333, 312/339, 350, 351

[56] References Cited

U.S. PATENT DOCUMENTS

2,869,961	1/1959	Gomersall	312/339
3,203,749	8/1965	Bullock et al.	312/339
3,876,270	4/1975	White	312/350 X
4,173,380	11/1979	Düpre	312/330
4,190,306	2/1980	Litchfield et al.	312/333 X

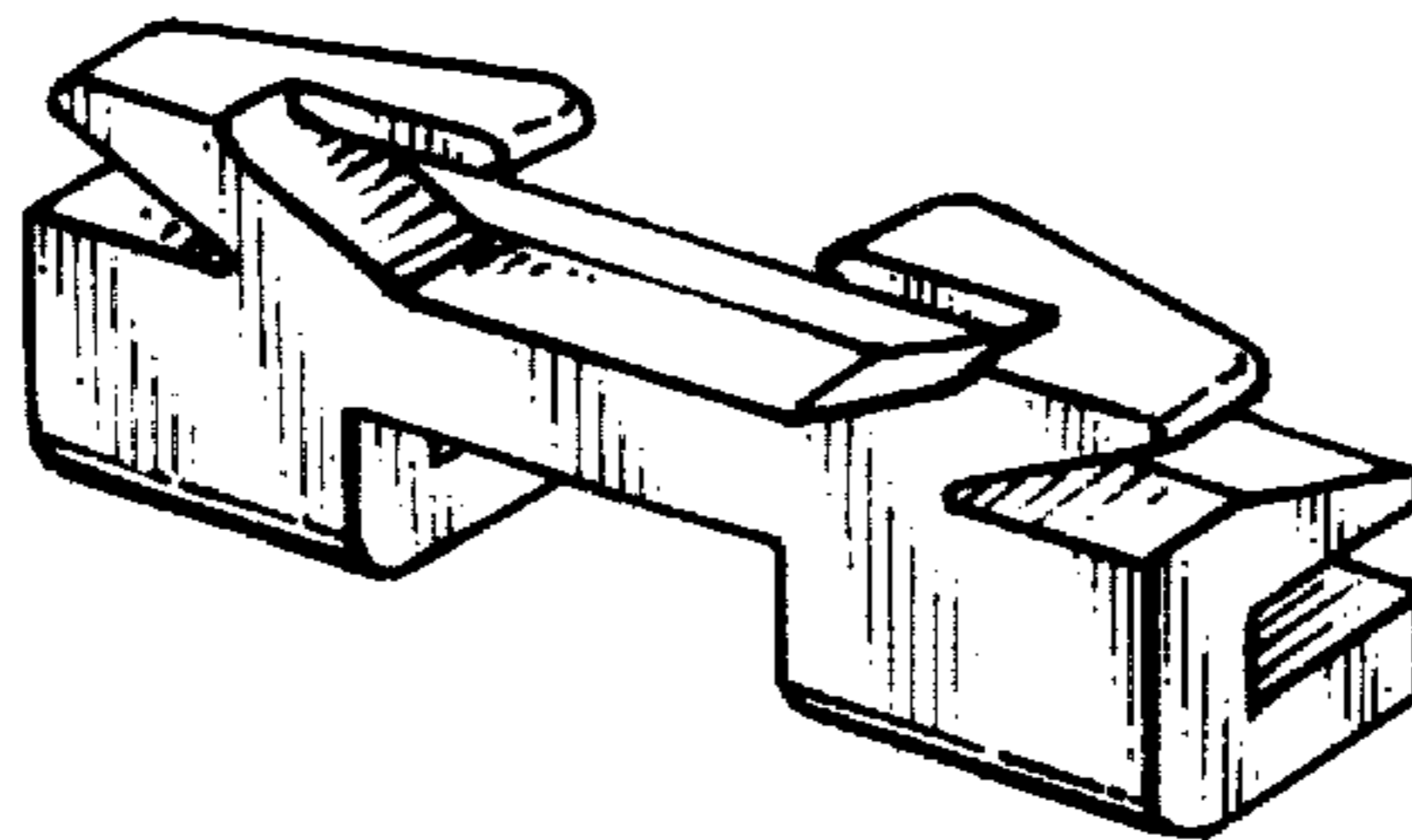
Primary Examiner—Bruce W. Dunkins
Attorney, Agent, or Firm—C. O. Marshall, Jr.

[57] CLAIM

The ornamental design for a bearing member for supporting a drawer on a runner, as shown and described.

DESCRIPTION

FIG. 1 is a perspective view of the bearing member from above and one side, showing our design; FIG. 2 is a perspective view of the bearing member from above and the other side; FIG. 3 is a side view of the bearing member; FIG. 4 is an end view of the bearing member; and FIG. 5 is a plan view of the bearing member.



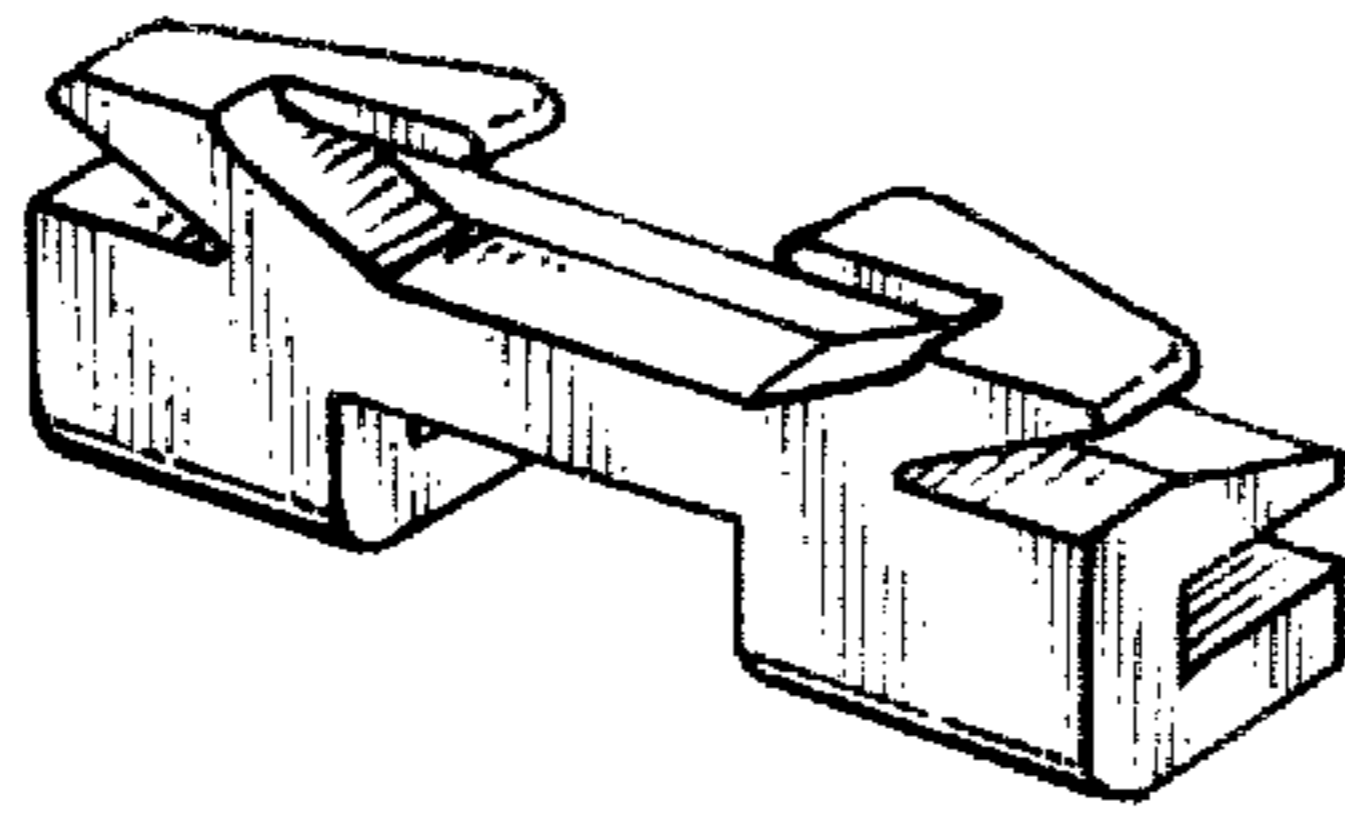


FIG. 1

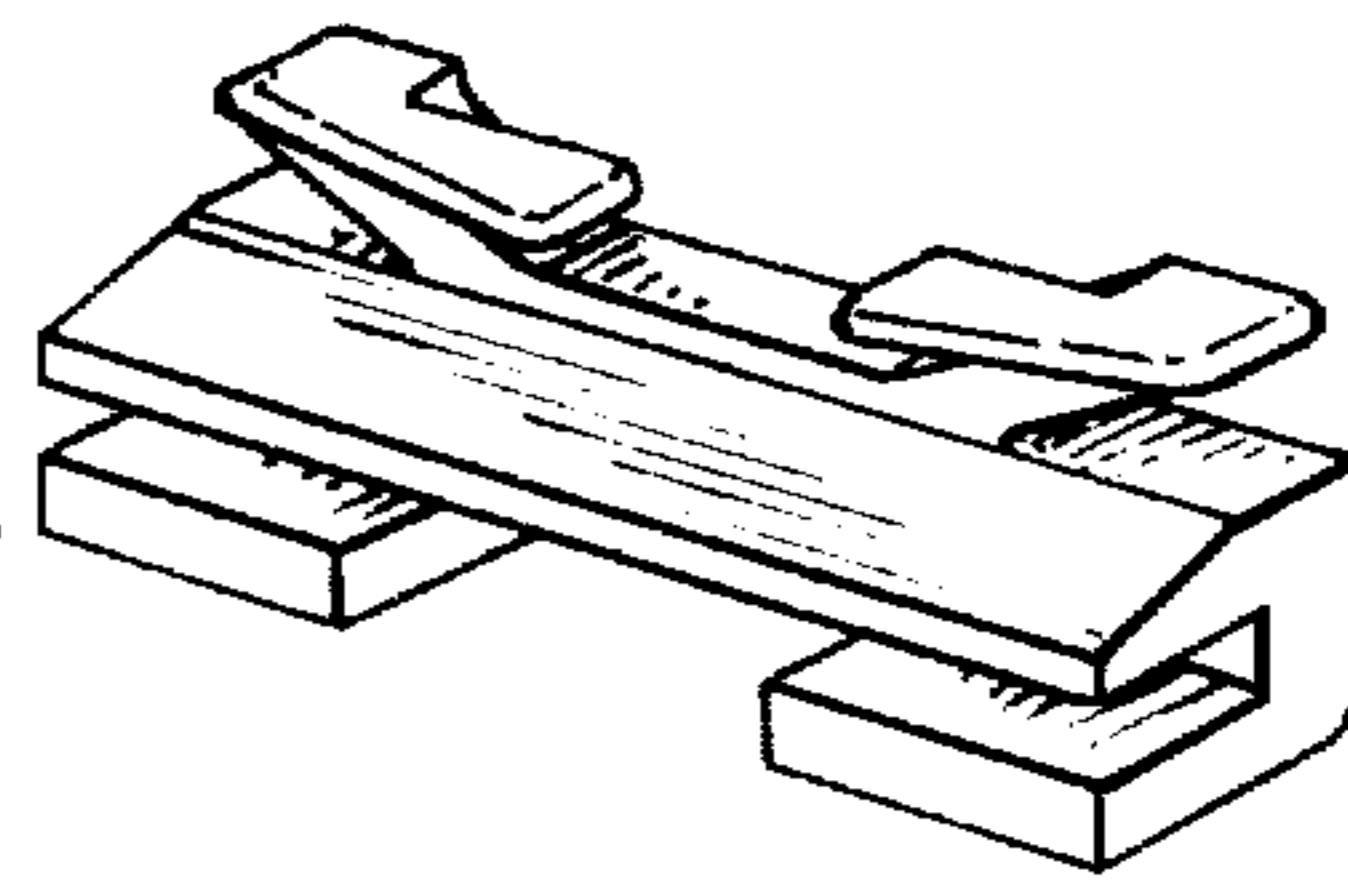


FIG. 2

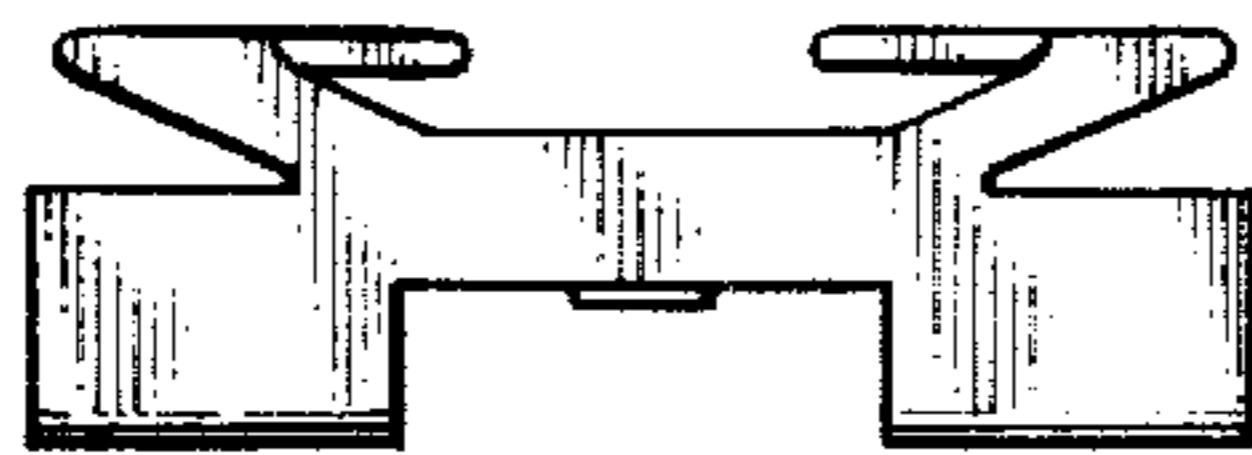


FIG. 3



FIG. 4



FIG. 5