

[54] CORNER CONNECTOR FOR FURNITURE PANELS

[75] Inventors: **Kenneth B. Fether; Maurice Grosse; Michael Carson**, all of London, England

[73] Assignee: **Planned Space Products Limited**, England

[**] Term: **14 Years**

[21] Appl. No.: **67,037**

[22] Filed: **Aug. 16, 1979**

[51] Int. Cl. **D6-06**

[52] U.S. Cl. **D6/191; D6/195; D25/74**

[58] Field of Search **D6/85, 191; D25/74, D25/77; 52/155, 237, 239; 403/173, 175, 167, 168**

[56] **References Cited**

U.S. PATENT DOCUMENTS

D. 193,055	6/1962	Lamb	D25/74 X
D. 230,115	1/1974	Beams	D6/191
D. 251,444	3/1979	Bancroft et al.	D25/74
D. 253,865	1/1980	Häggland	D6/191
3,820,299	6/1974	Yerbolt	D25/74 X
4,103,465	8/1978	McDonald, Jr.	52/239 X

Primary Examiner—Bruce W. Dunkins
Attorney, Agent, or Firm—Murray & Whisenhunt

[57] **CLAIM**

The ornamental design for a corner connector for furniture panels, substantially as shown and described.

DESCRIPTION

FIG. 1 is an end elevation of a corner connector for furniture panels embodying our new design and showing the cross-sectional shape thereof;

FIG. 2 is a side elevation of the corner connector for furniture panels shown in FIG. 1; and

FIG. 3 is a perspective view of the corner connector for furniture panels shown in FIG. 1.

FIG. 2 is shown broken away at the center to indicate indeterminate length.

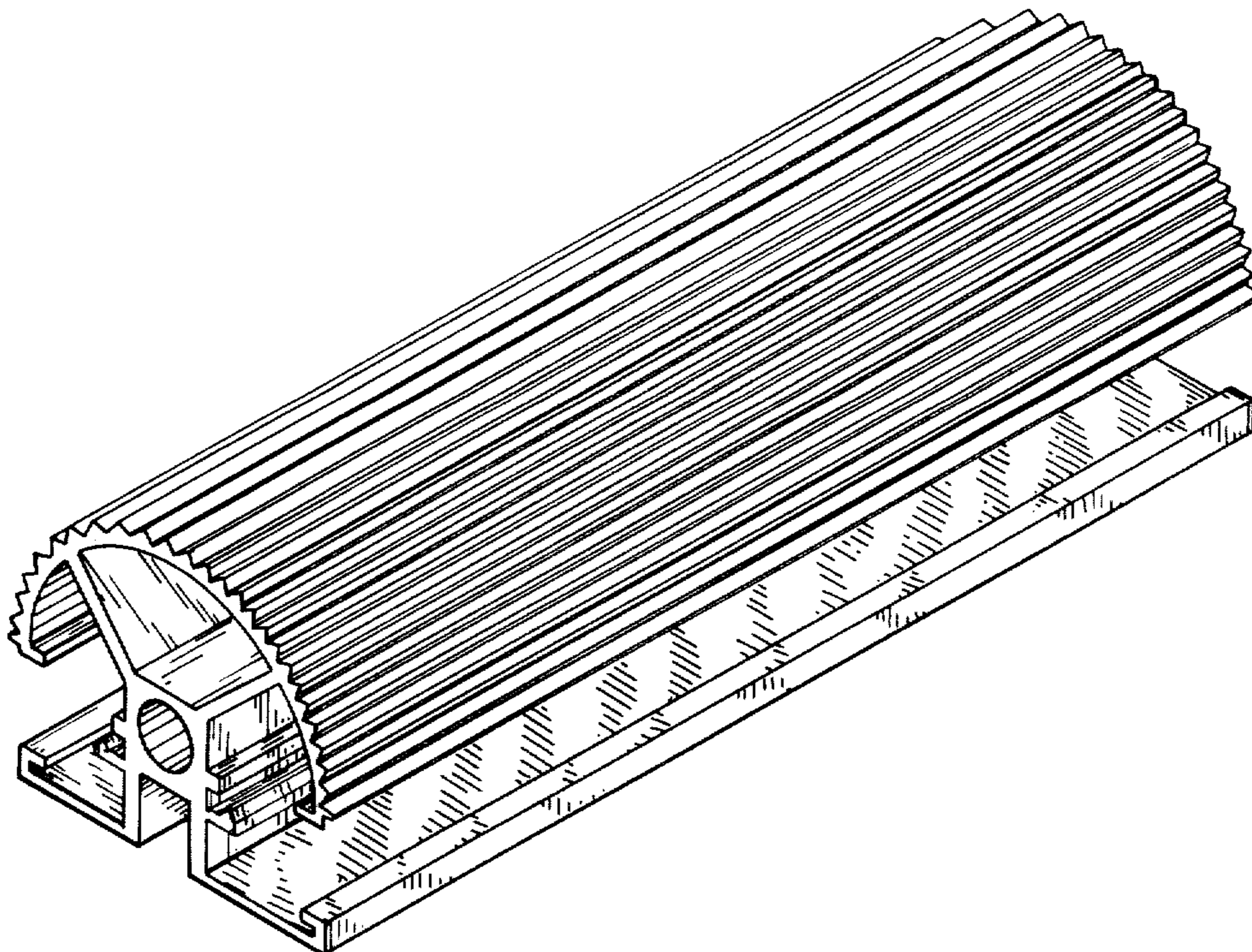


Fig. 1

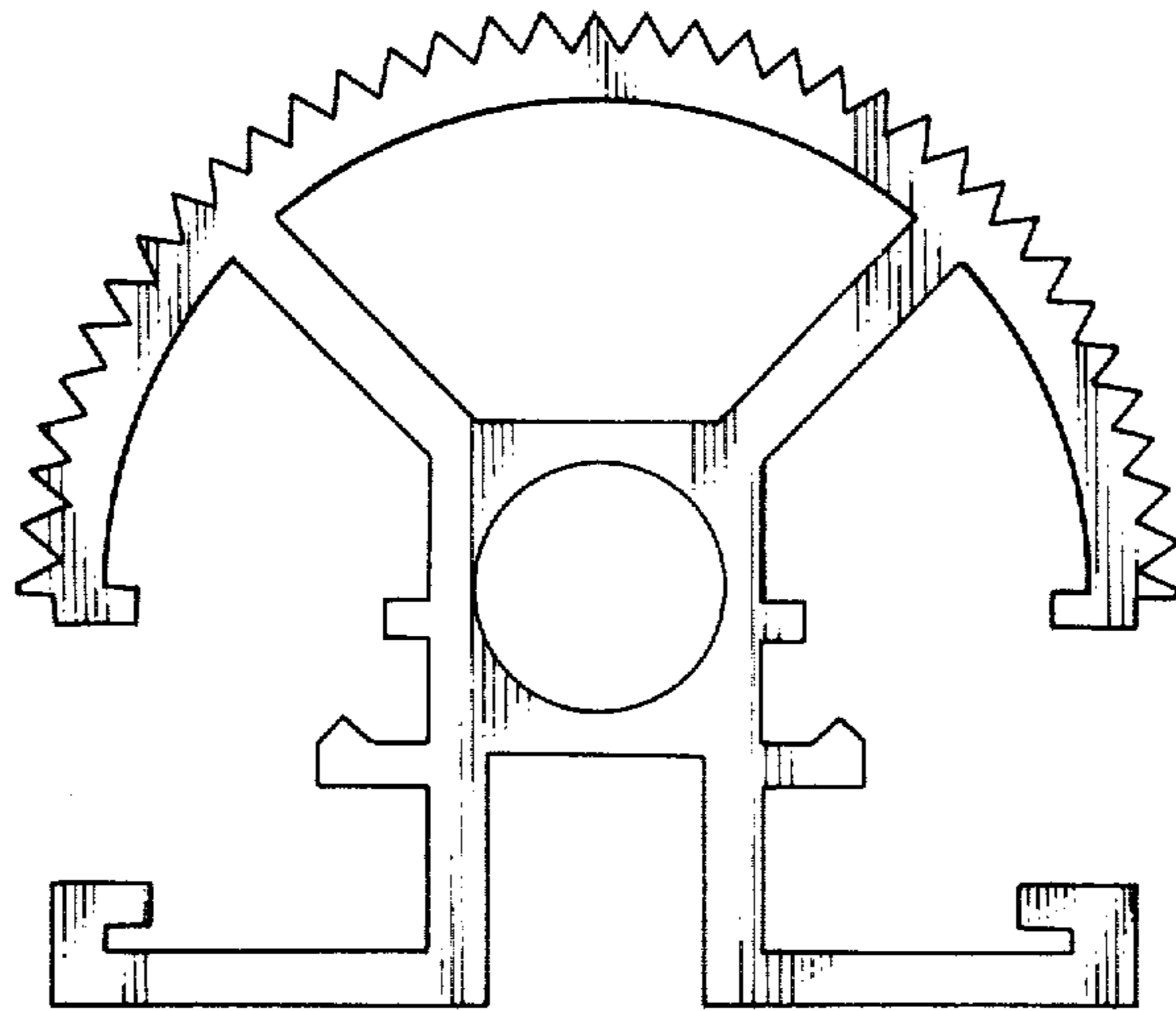
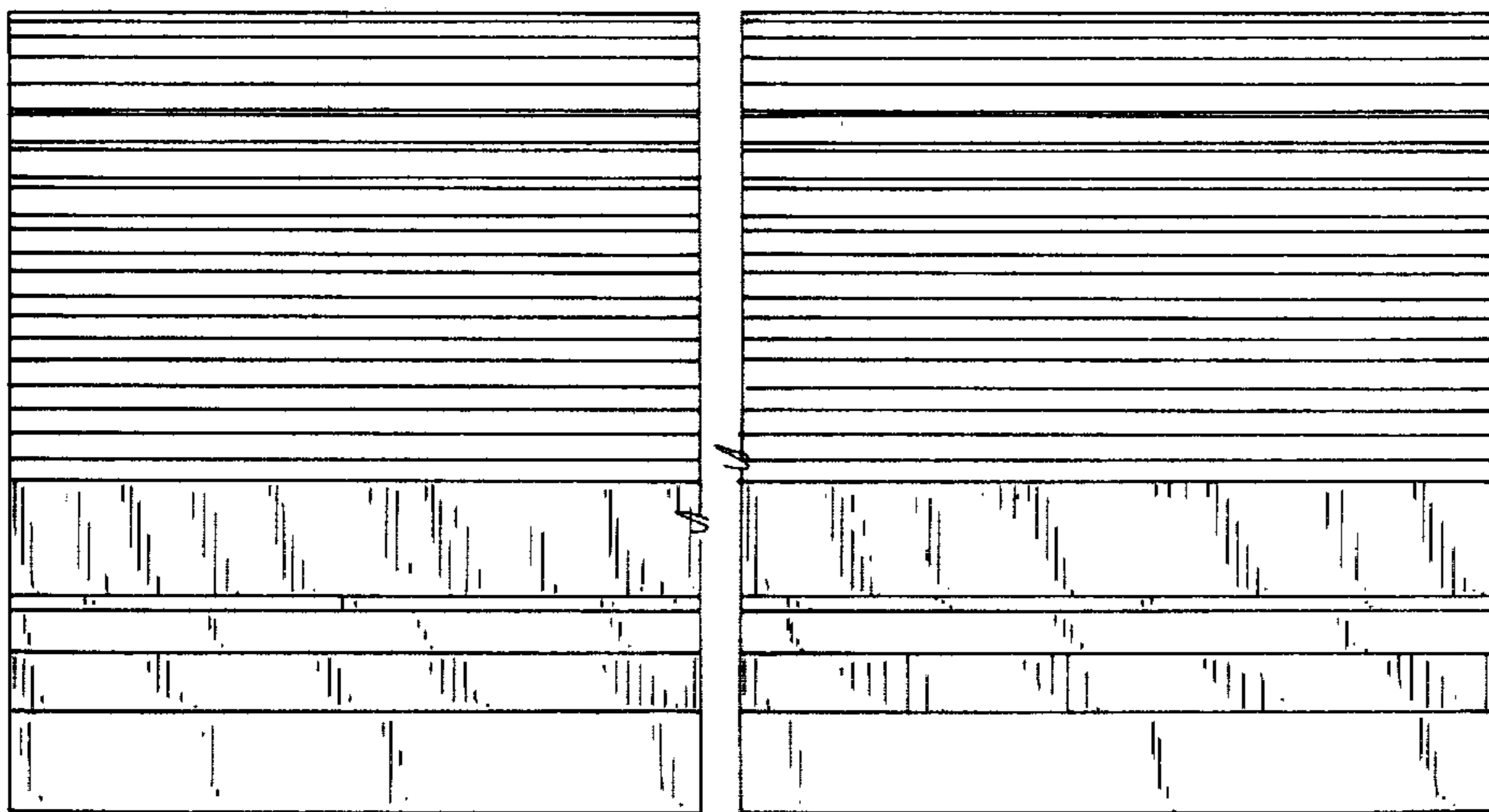


Fig. 2



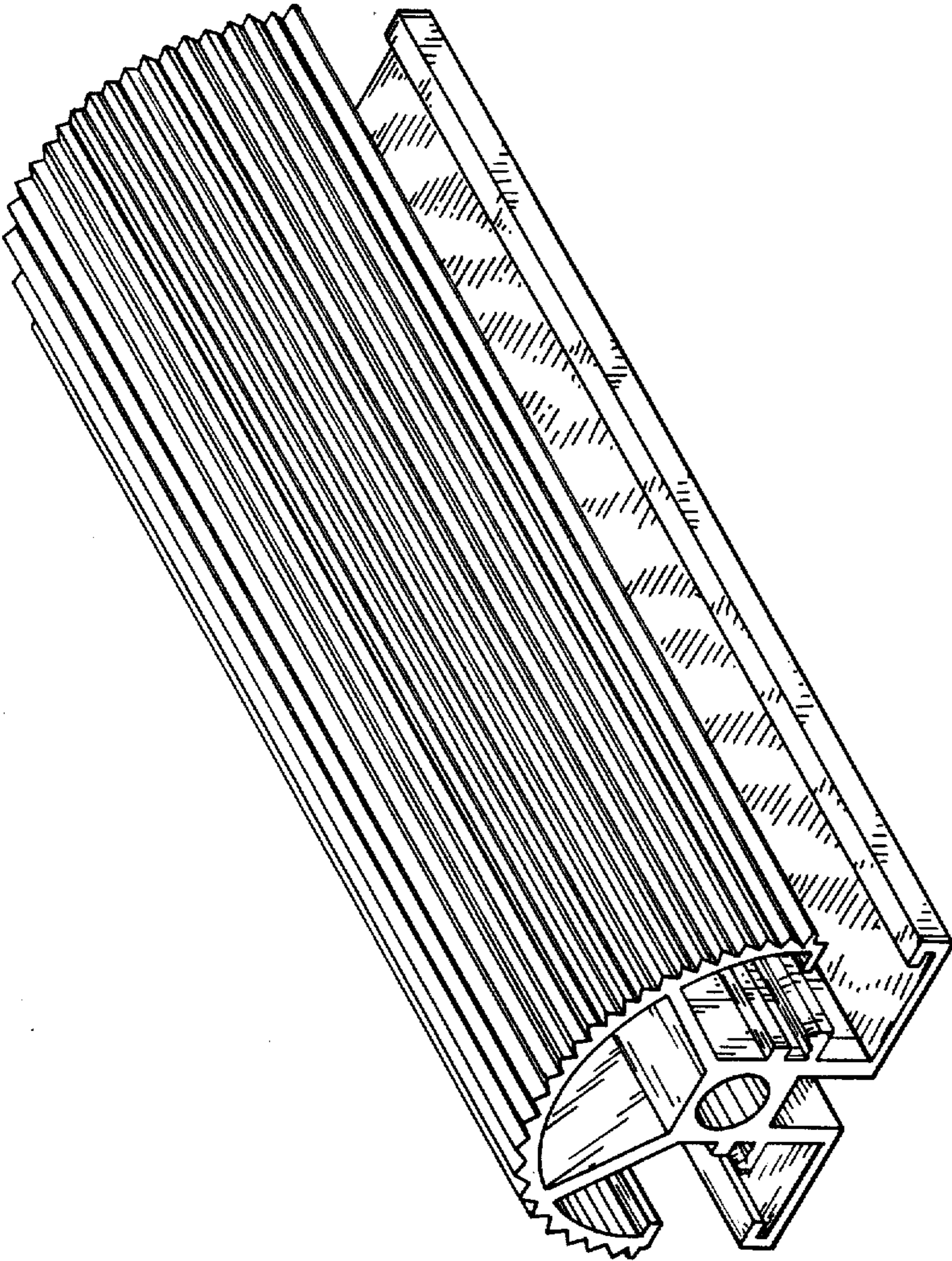


Fig. 3