

- [54] **MERCHANDISE DISPLAY RACK**
- [75] Inventors: **Philip R. Brown**, Huntington, N.Y.;
Charles M. Baffo, Wilton, Conn.;
Edward J. Meyers, Wayne, Pa.
- [73] Assignee: **Mobil Oil Corporation**, New York,
N.Y.
- [**] Term: **14 Years**
- [21] Appl. No.: **66,955**
- [22] Filed: **Aug. 16, 1979**
- [51] Int. Cl. **D6-01**
- [52] U.S. Cl. **D6/172**
- [58] **Field of Search** D6/20, 23, 25, 104,
D6/127, 134, 168, 172; 40/606, 607; 312/117,
128, 138 R, 254, 255, 283, 286; 211/60 R

4,209,926 7/1980 Ueki et al. D6/25

Primary Examiner—Peter M. Caun
Attorney, Agent, or Firm—C. A. Huggett; M. G. Gilman;
J. F. Powers, Jr.

[57] **CLAIM**

The ornamental design for a merchandise display rack,
substantially as shown and described.

DESCRIPTION

FIG. 1 is a front elevational view of a display rack
embodying our novel design.
FIG. 2 is a side elevation thereof.
FIG. 3 is a top plan view thereof.
FIG. 4 is a rear elevation of the embodiment of FIG. 1.
FIG. 5 is a horizontal cross-section taken on line 5—5 of
FIG. 4 and on a somewhat larger scale to illustrate the
three-dimensional relationship of the components
thereof and the operation of the doors.
FIG. 6 is an alternate embodiment illustrating the dis-
play rack mounted on a vertically standing column.
FIG. 7 is an exploded schematic representation illustrat-
ing the three-dimensional spatial relationship of the
components of a display rack which embodies our novel
design.
FIG. 8 is a bottom plan view thereof.

[56] **References Cited**

U.S. PATENT DOCUMENTS

D. 174,380	4/1953	Engels et al.	D6/134
1,127,223	2/1915	Fogle	40/606
1,569,013	1/1926	Gowran	D6/134
1,745,593	2/1930	Adams	312/117
2,681,262	6/1954	Vincent	211/60 R
3,396,483	8/1968	Stein et al.	40/607

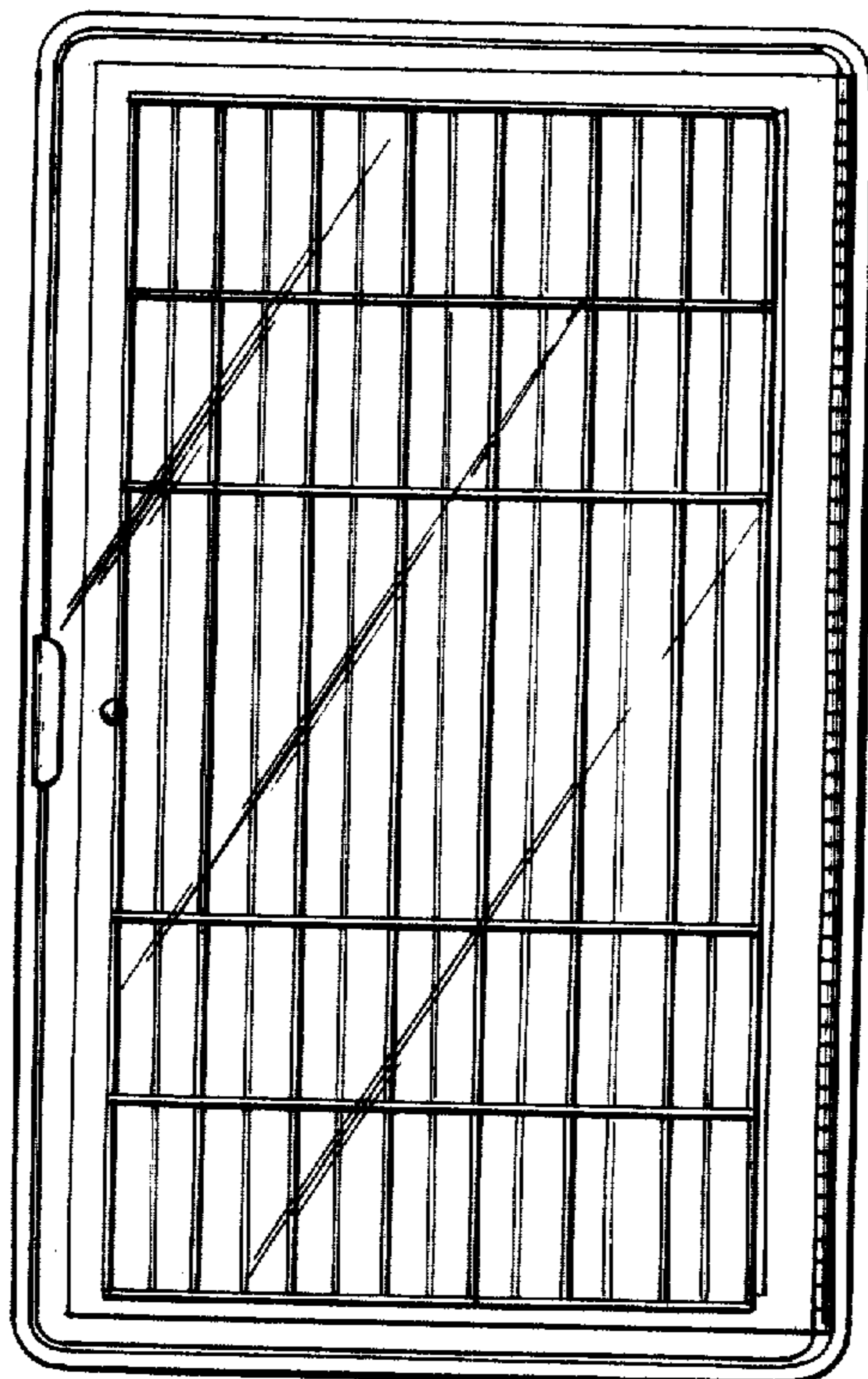


FIG. 3

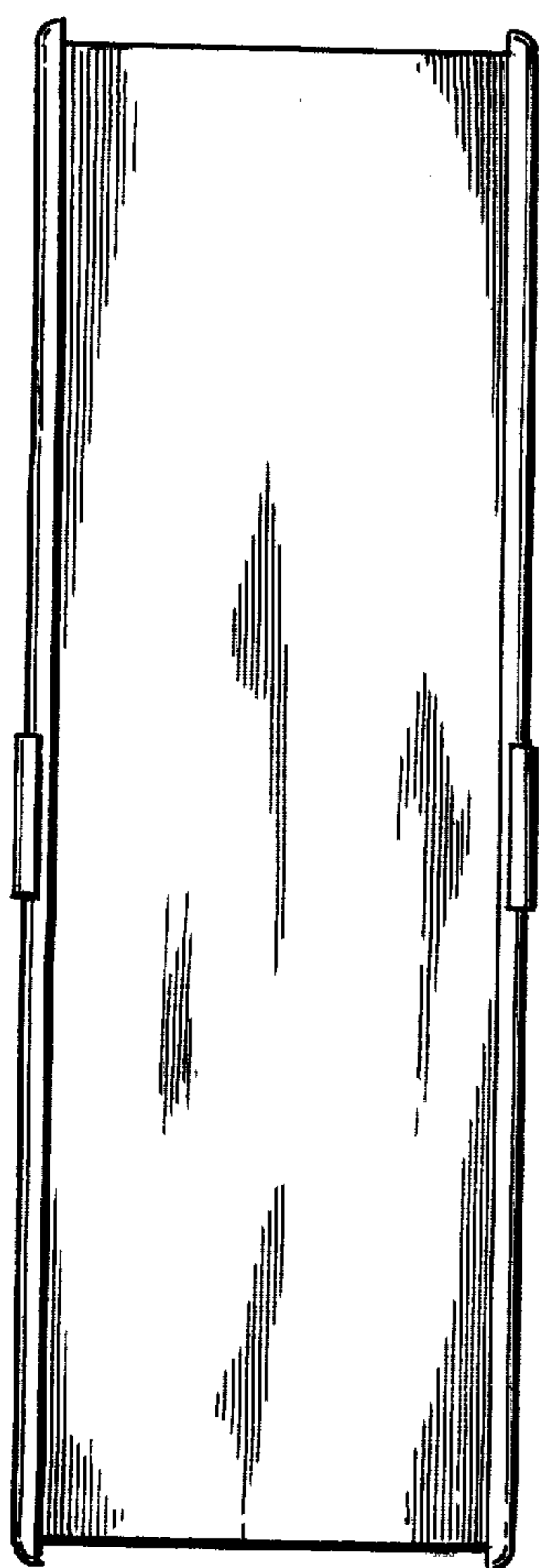
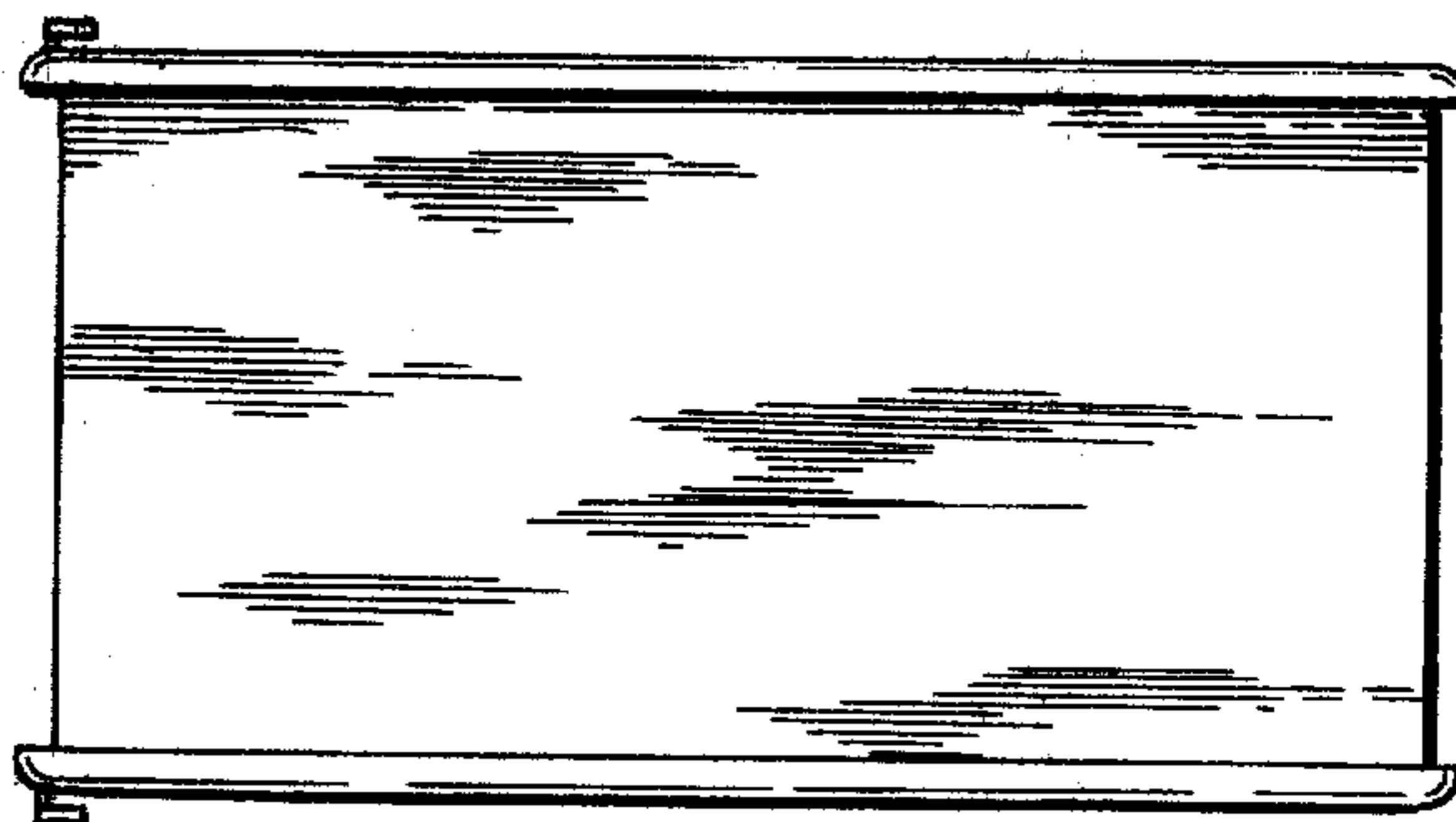


FIG. 2

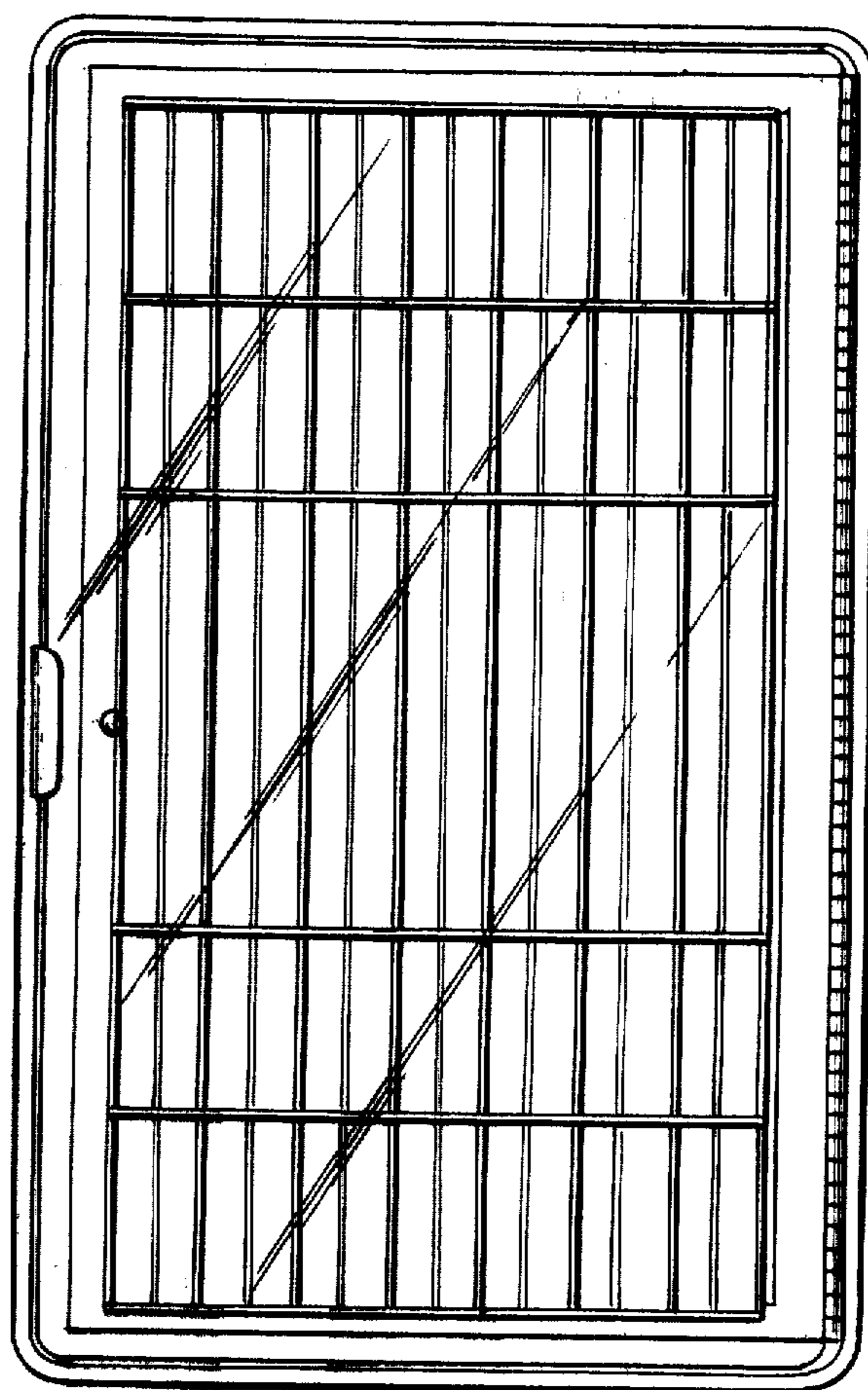


FIG. 1

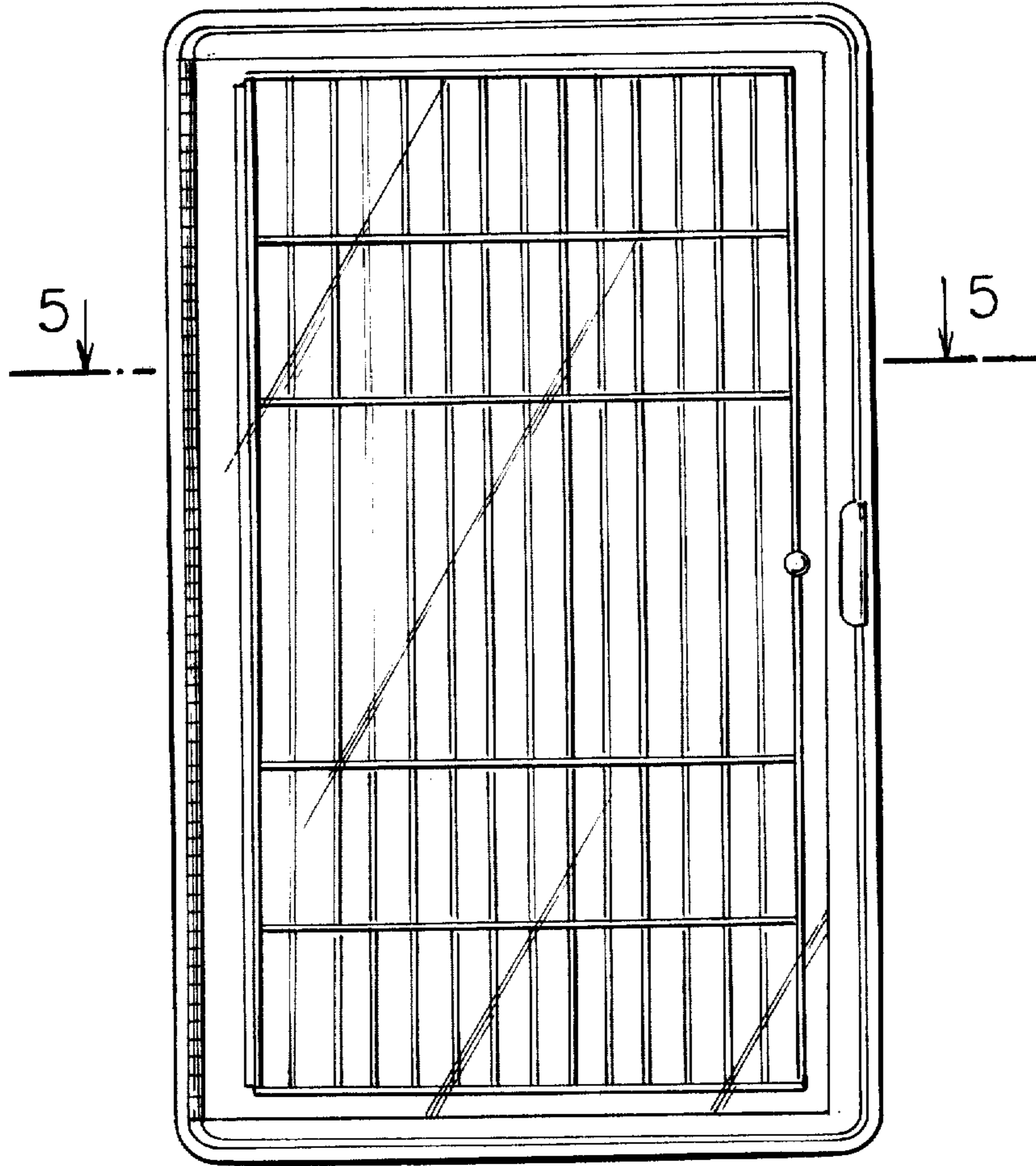
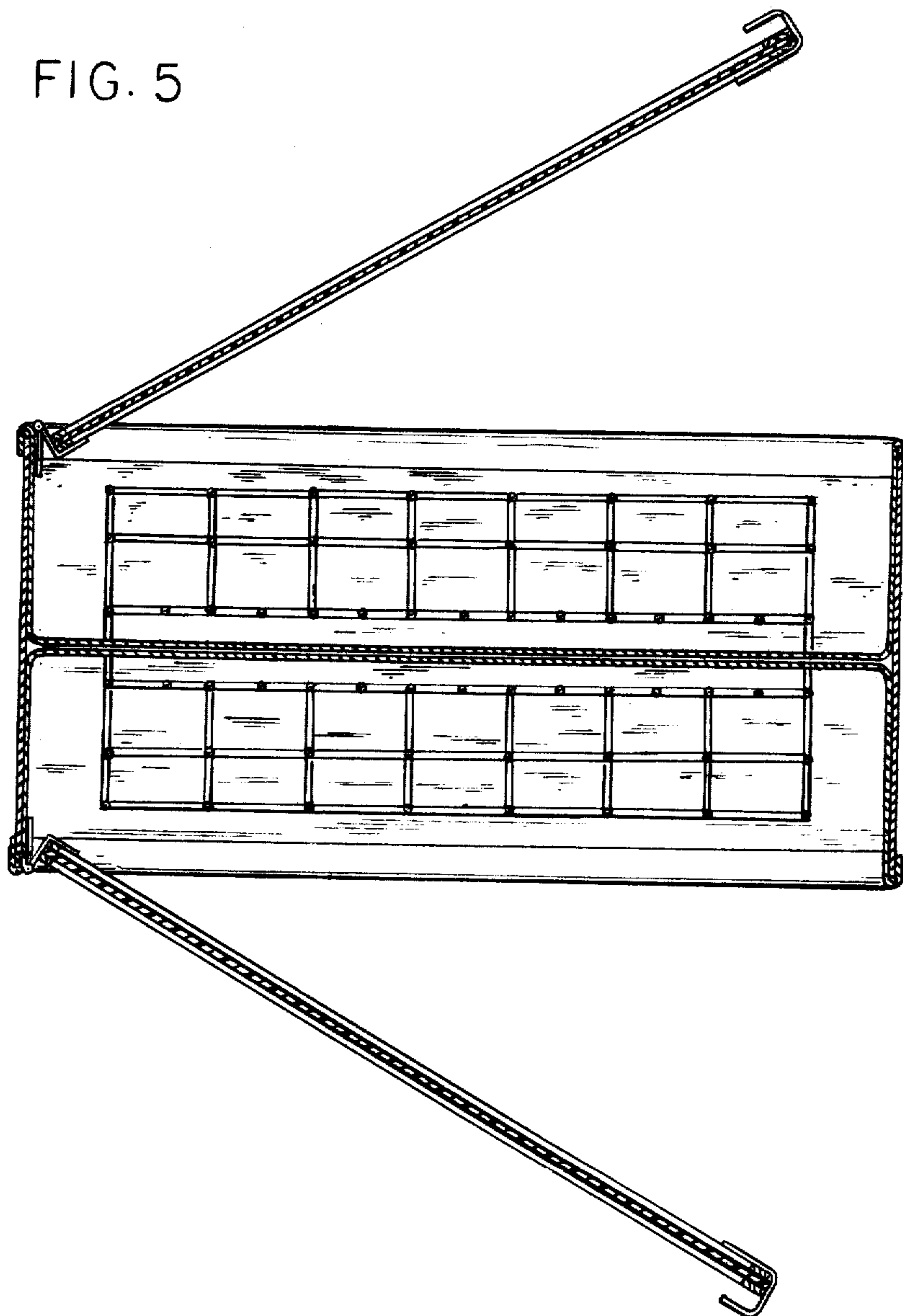


FIG. 4

FIG. 5



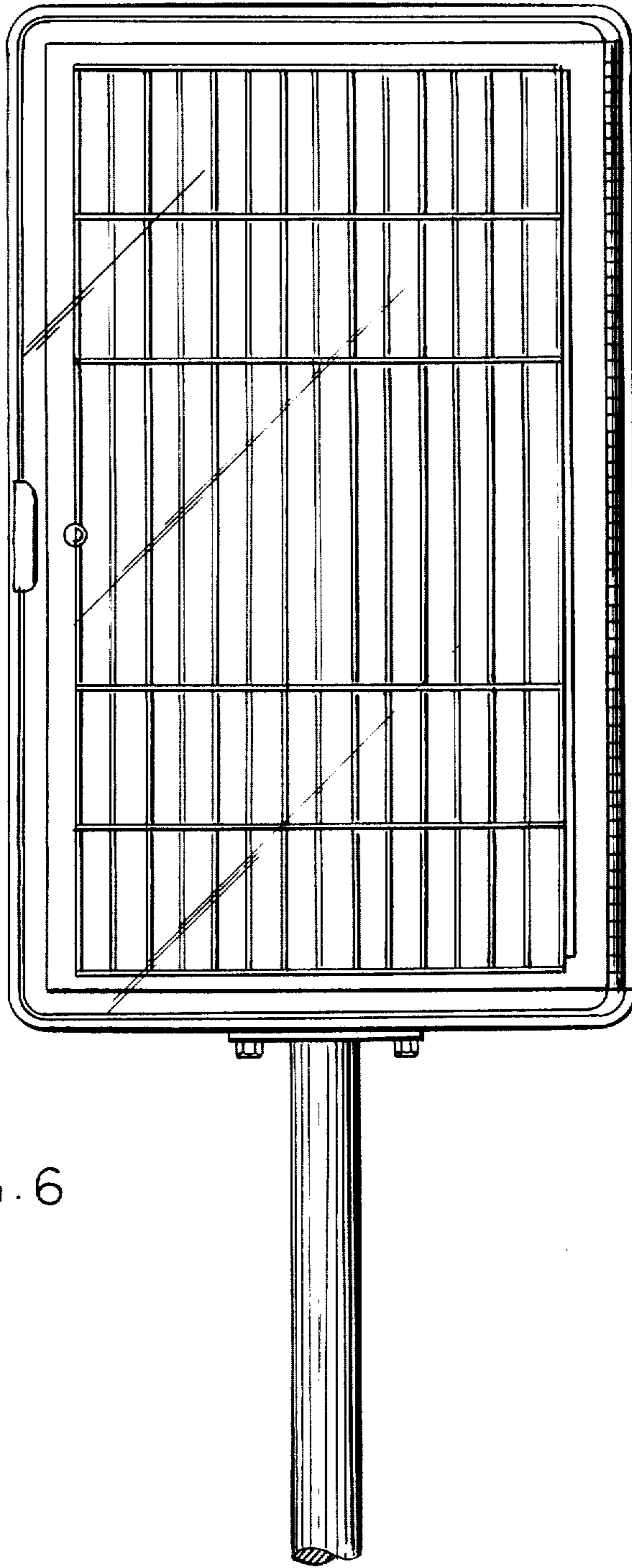


FIG. 6

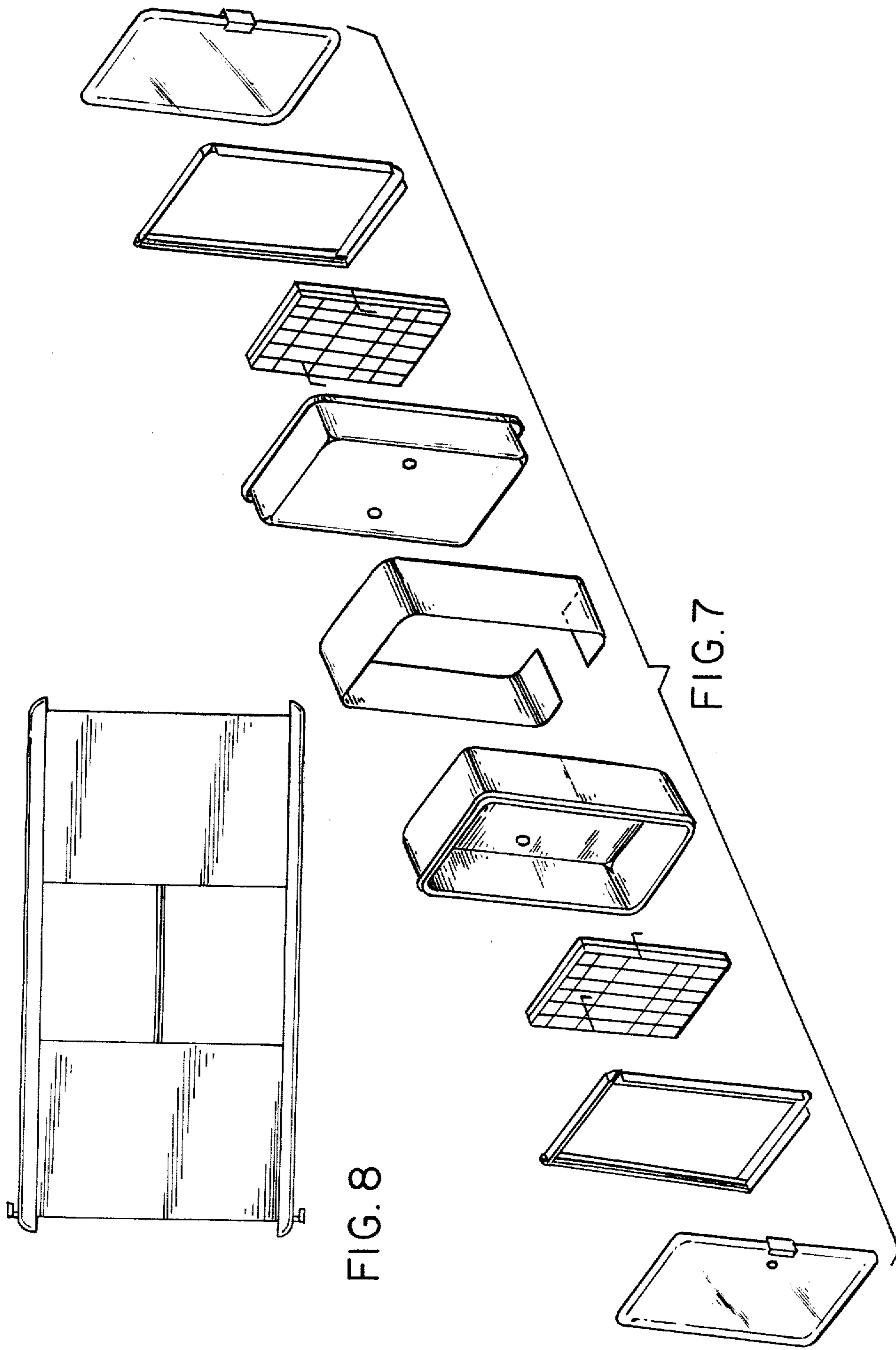


FIG. 8

FIG. 7