

[54] CHAIR

[76] Inventor: Steven D. Gageby, 12 Hay Camp Rd., North Oaks, Minn. 55110

[\*\*] Term: 14 Years

[21] Appl. No.: 44,412

[22] Filed: Jun. 1, 1979

**Related U.S. Application Data**

[62] Division of Ser. No. 911,470, Jun. 1, 1978, which is a division of Ser. No. 677,747, Apr. 16, 1976.

[51] Int. Cl. .... D6-01

[52] U.S. Cl. .... D6/73

[58] Field of Search ..... D6/20, 26, 30, 31, 35, D6/36, 47, 65, 66, 67, 69, 70, 73, 78; 297/463

[56]

**References Cited**

**U.S. PATENT DOCUMENTS**

D. 226,747	4/1973	Koepke	.....	D6/69 X
D. 236,394	8/1975	Hoshall et al.	.....	D6/38
D. 237,847	12/1975	Sklaroff	.....	D6/69
D. 238,636	2/1976	Olson et al.	.....	D6/63 X
D. 240,483	7/1976	Sklaroff	.....	D6/69

Primary Examiner—Bruce W. Dunkins

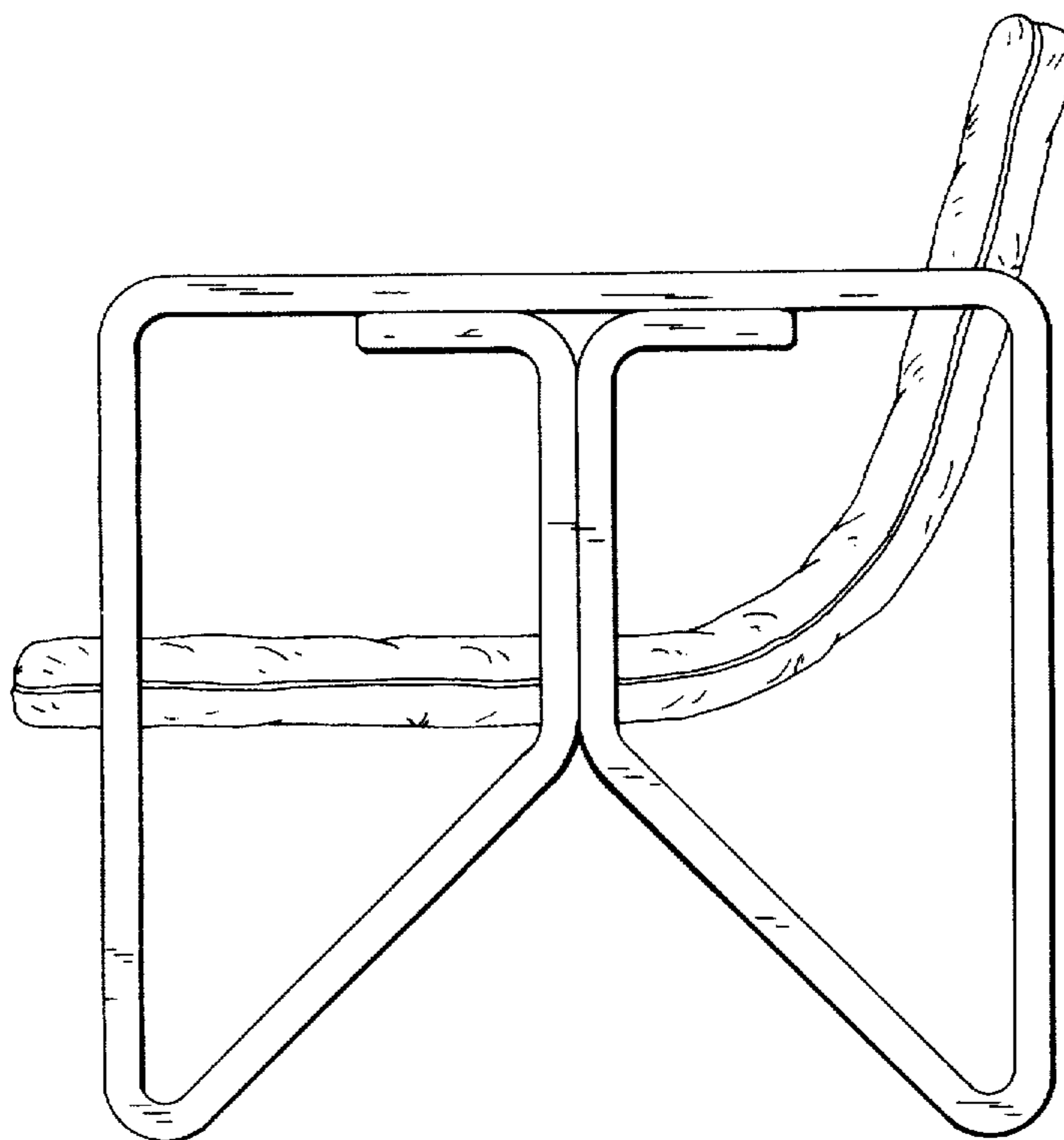
[57]

**CLAIM**

The ornamental design for a chair, as shown.

**DESCRIPTION**

FIG. 1 is a side elevation view of a chair showing my new design, the undisclosed side being substantially identical with the side shown; FIG. 2 is a front elevation view thereof; FIG. 3 is a rear elevation view thereof; and FIG. 4 is a top view thereof.



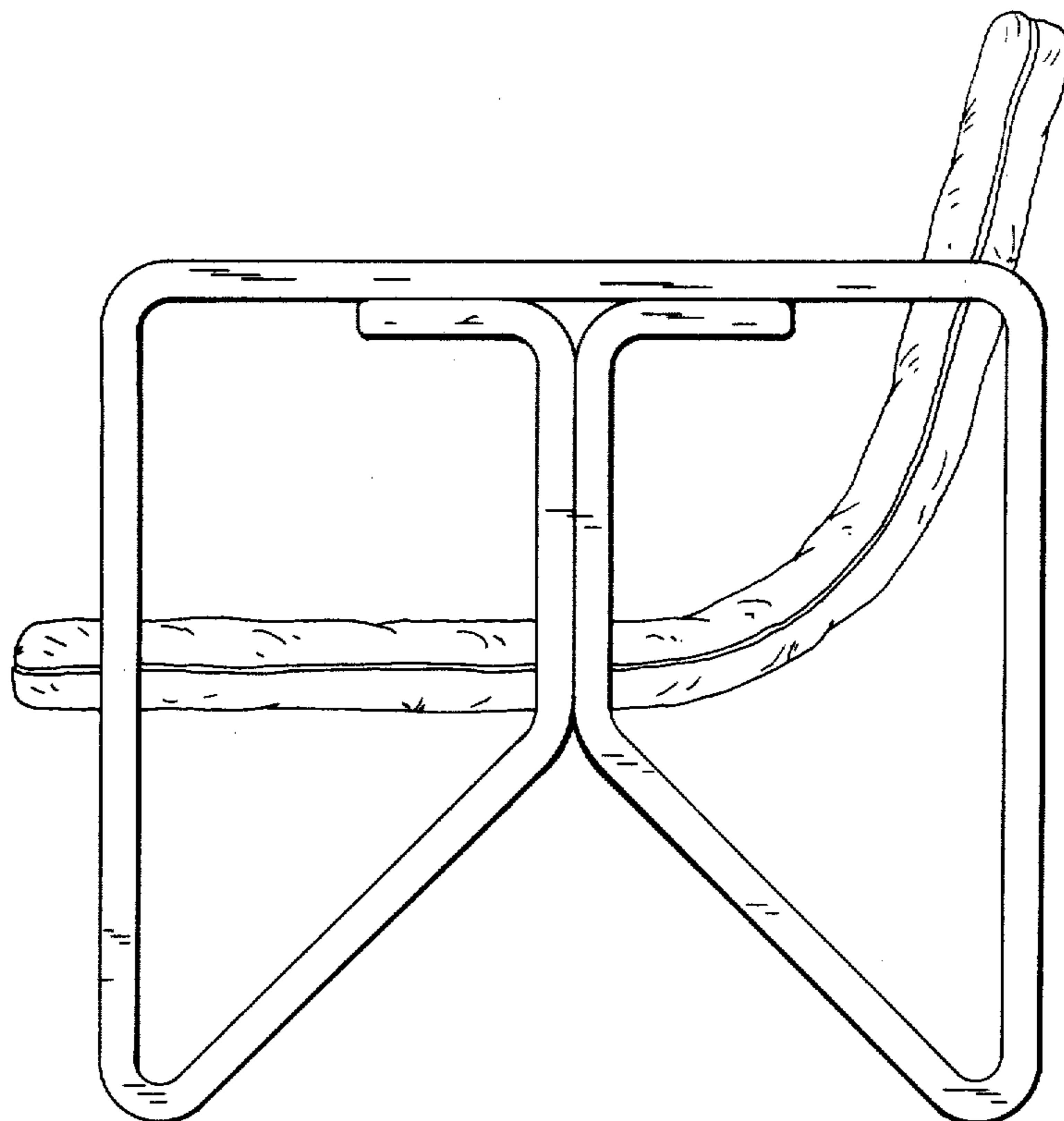


FIG. 1

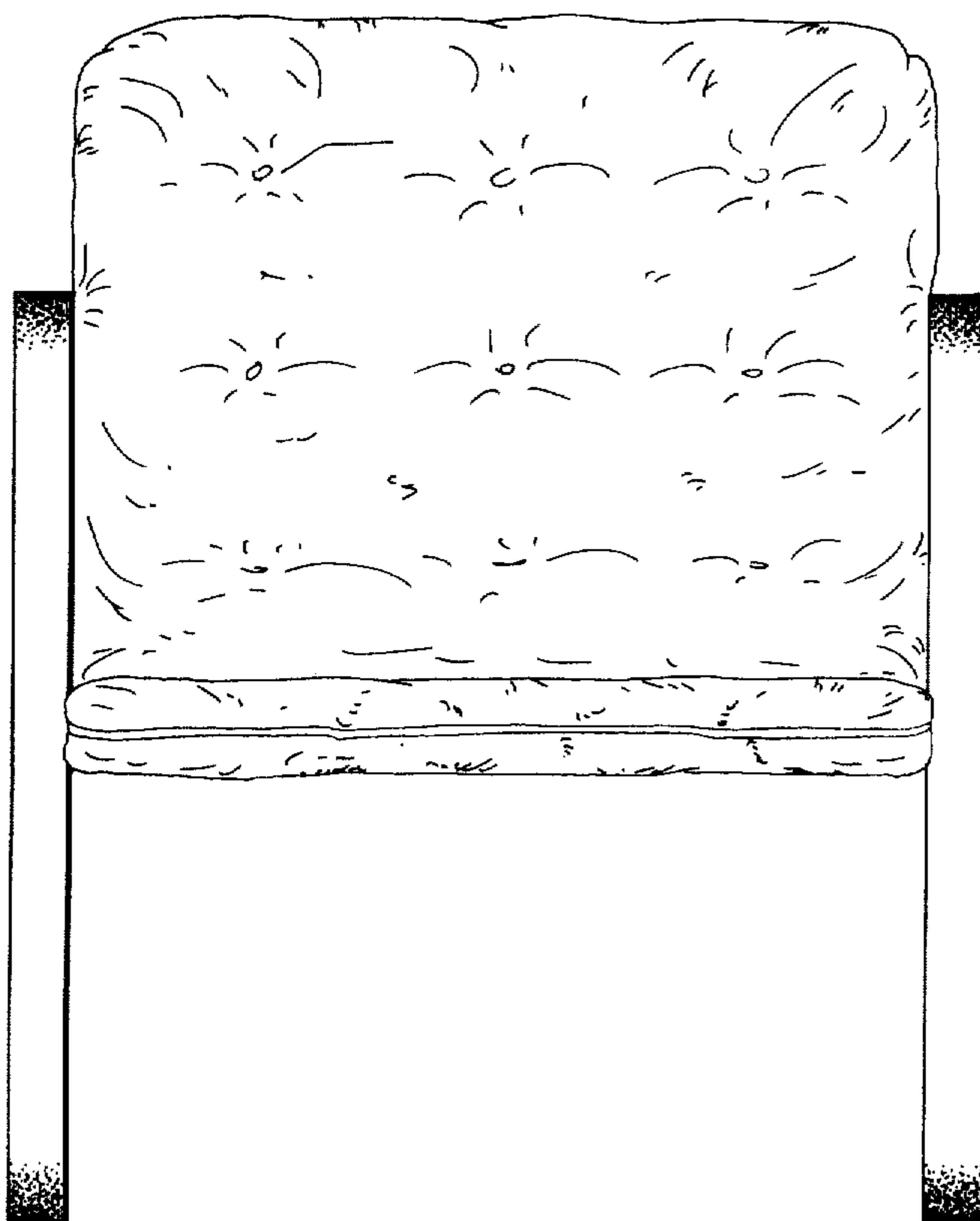


FIG. 2

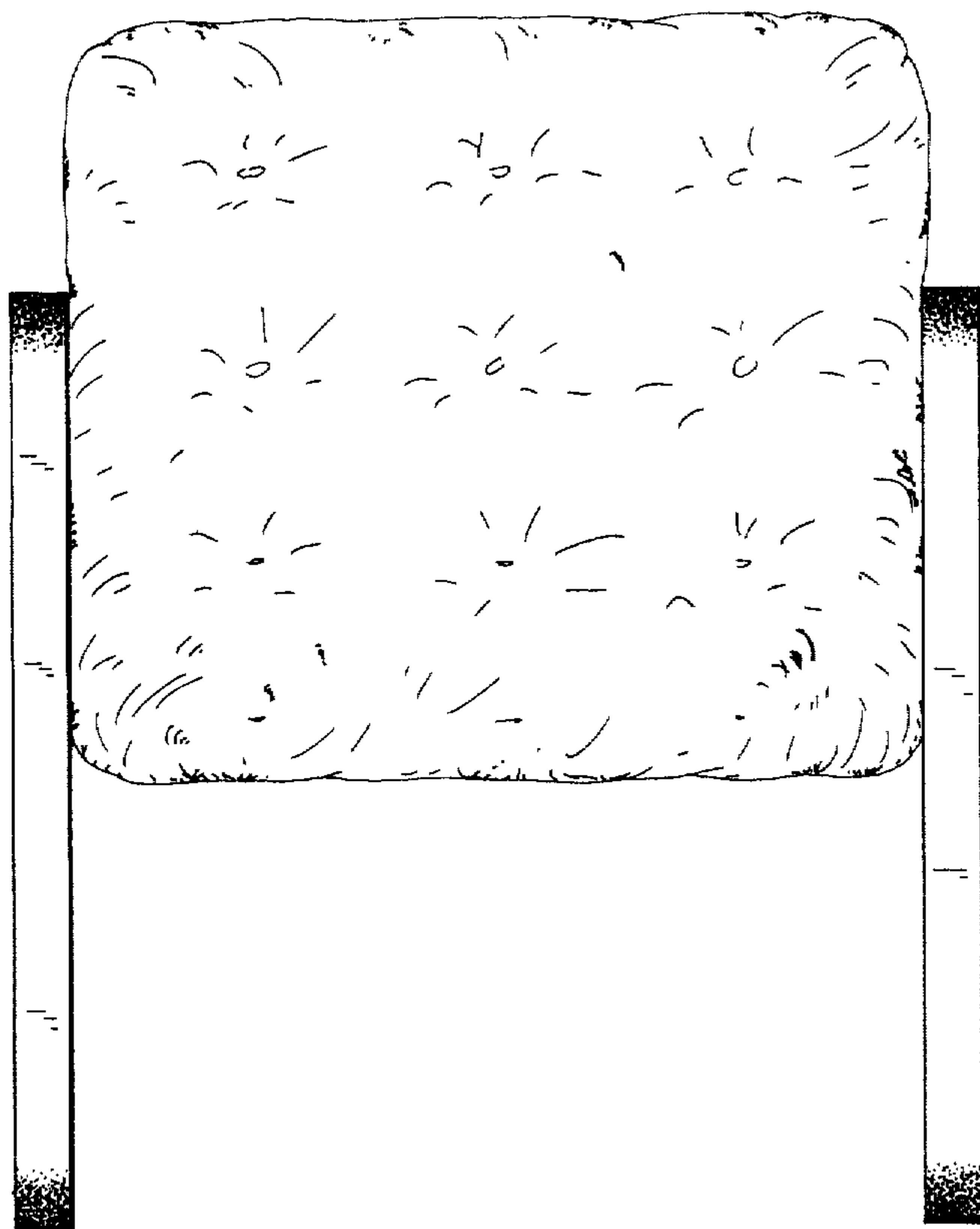


FIG. 3

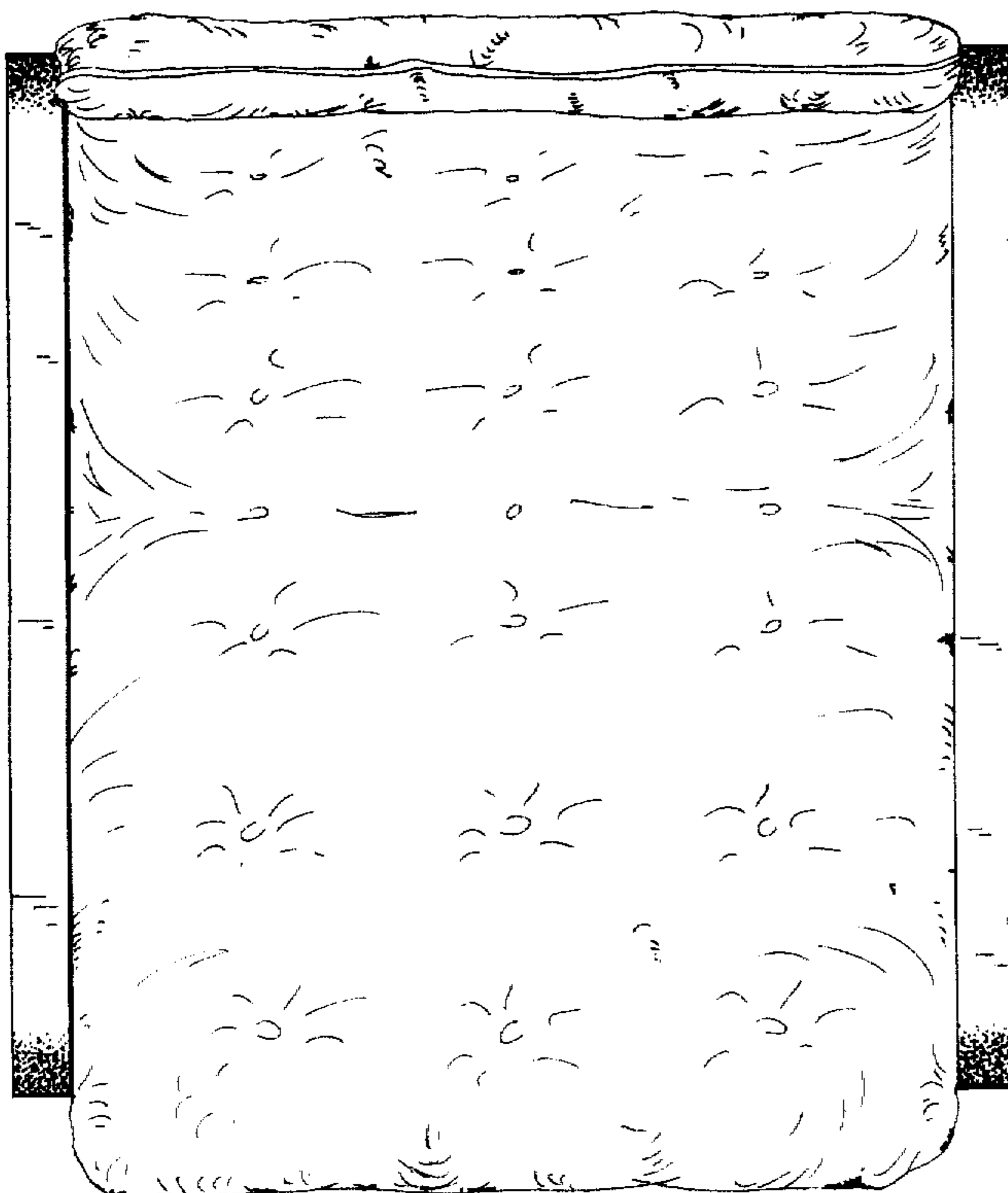


FIG. 4