

[54] SWINGING CHAISE

[75] Inventor: Vincent P. Sorrentino, Parkland, Fla.

[73] Assignee: Bright Industries Inc., Fort Lauderdale, Fla.

[**] Term: 14 Years

[21] Appl. No.: 73,787

[22] Filed: Sep. 10, 1979

[51] Int. Cl. D6-01

[52] U.S. Cl. D6/52; D6/10

[58] Field of Search D6/5, 8, 9, 10, 14, D6/15, 52, 54

[56] References Cited

U.S. PATENT DOCUMENTS

D. 122,073 8/1940 Castelli D6/52

D. 228,433	9/1973	Elverson	D6/10 X
D. 248,518	7/1978	Huff	D6/10
D. 250,861	1/1979	Boudreau et al.	D6/10
D. 254,942	8/1980	Browning	D6/54

Primary Examiner—Bruce W. Dunkins
Attorney, Agent, or Firm—Alfred E. Wilson

[57] CLAIM

The ornamental design for a swinging chaise, substantially as shown.

DESCRIPTION

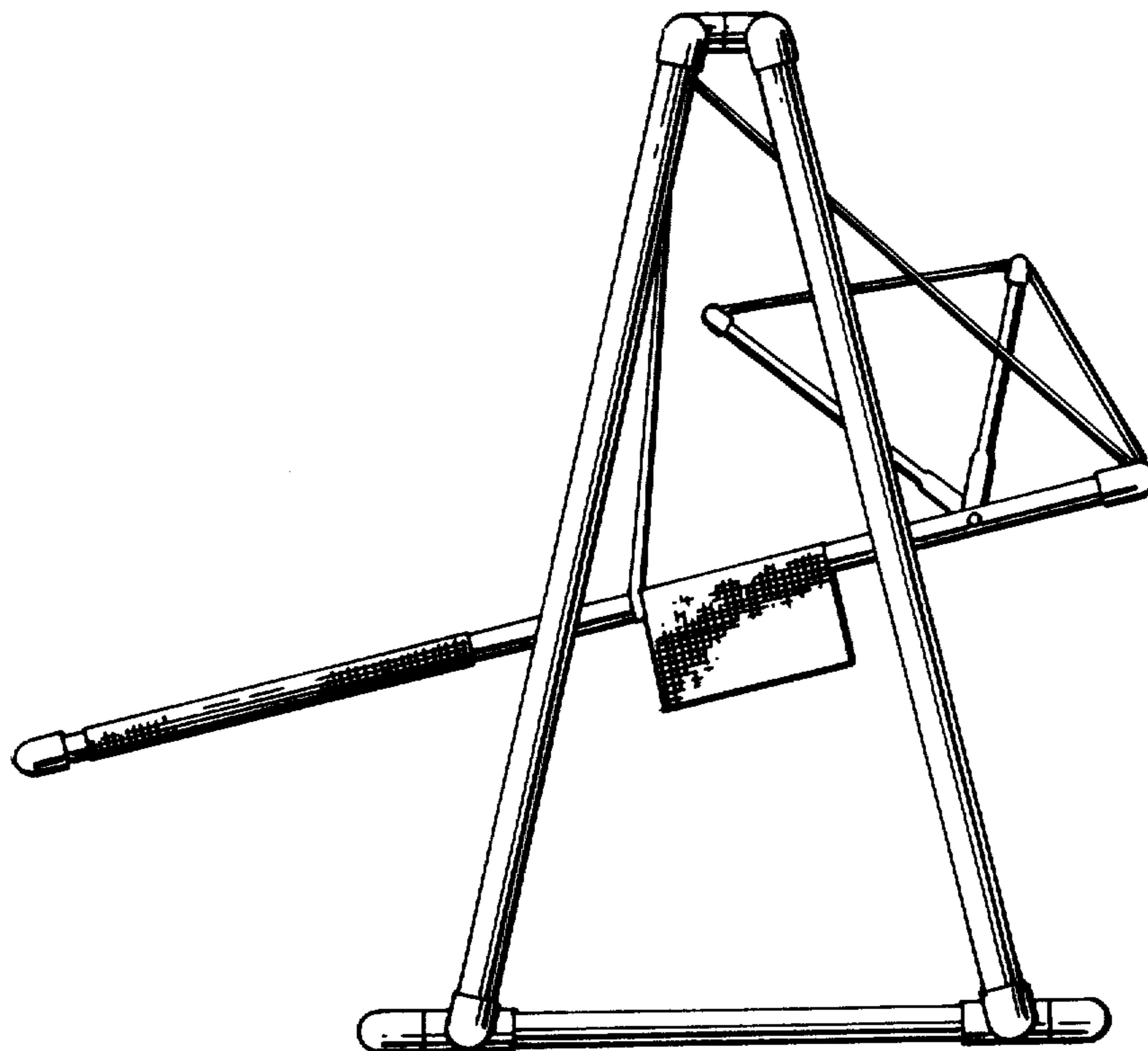
FIG. 1 is a front elevational view of a swinging chaise showing my new design.

FIG. 2 is a side elevational view, the opposite side being identical thereto.

FIG. 3 is a rear elevational view.

FIG. 4 is a top plan view, and

FIG. 5 is a bottom plan view.



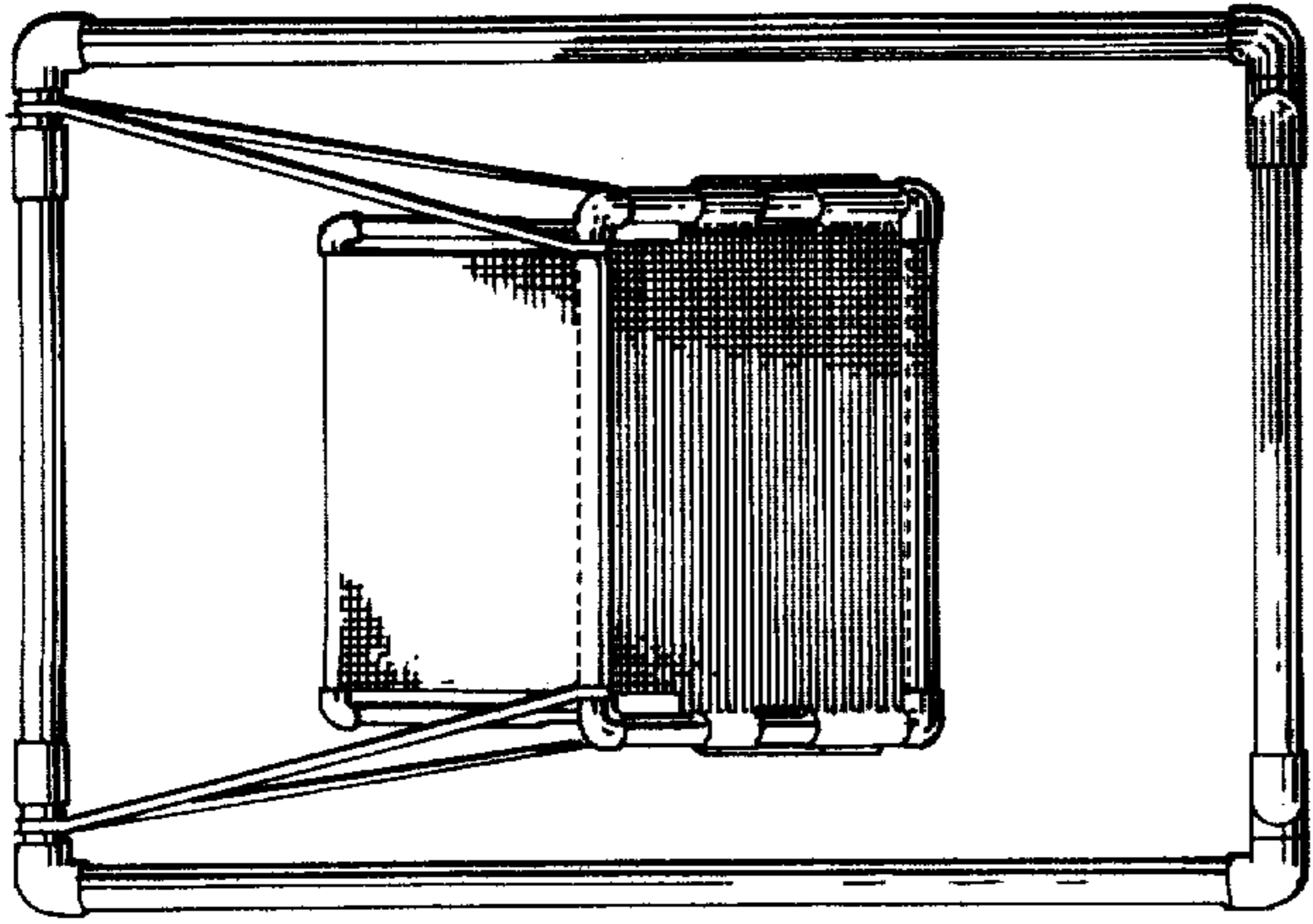


FIG. 1

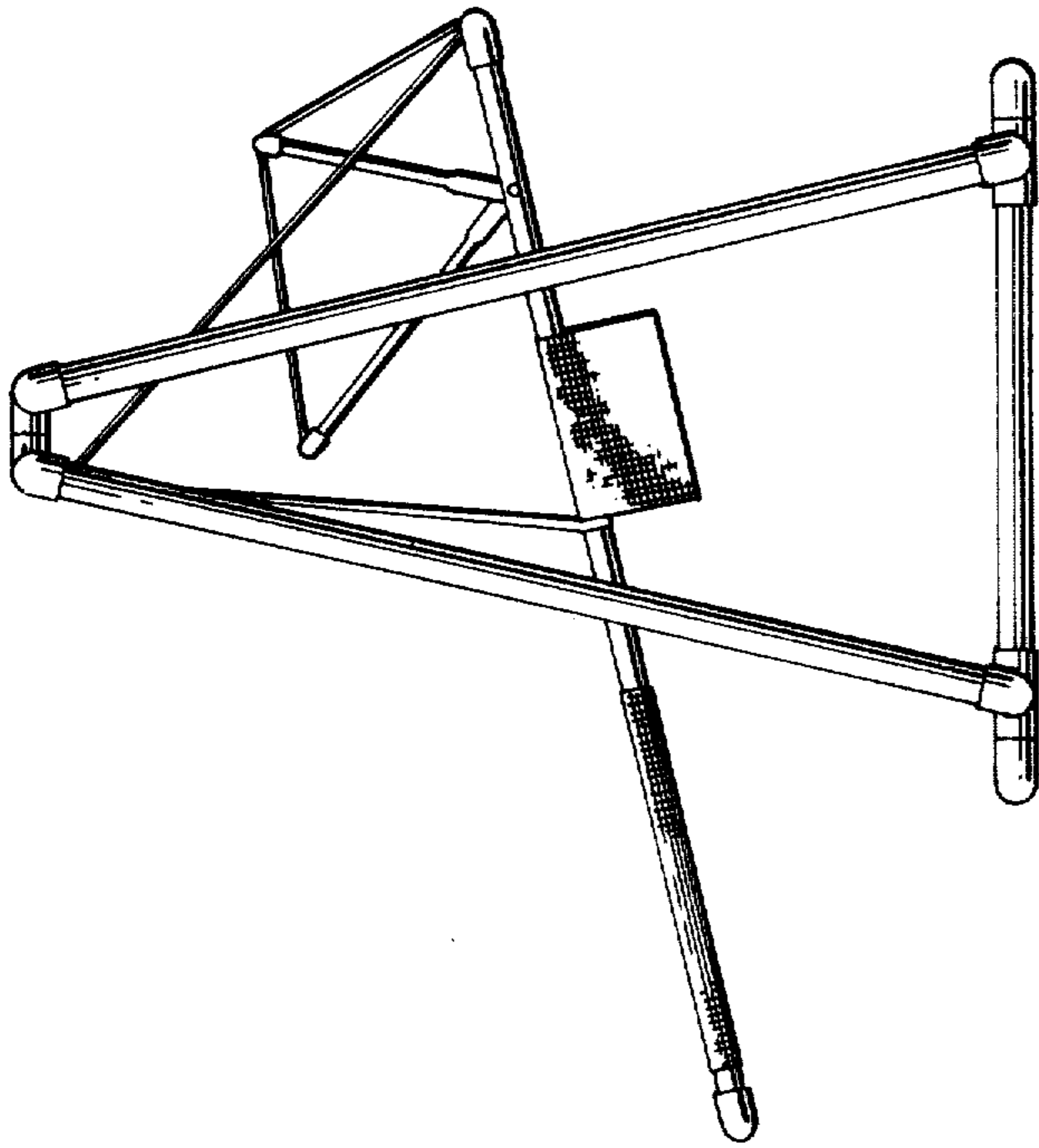


FIG. 2

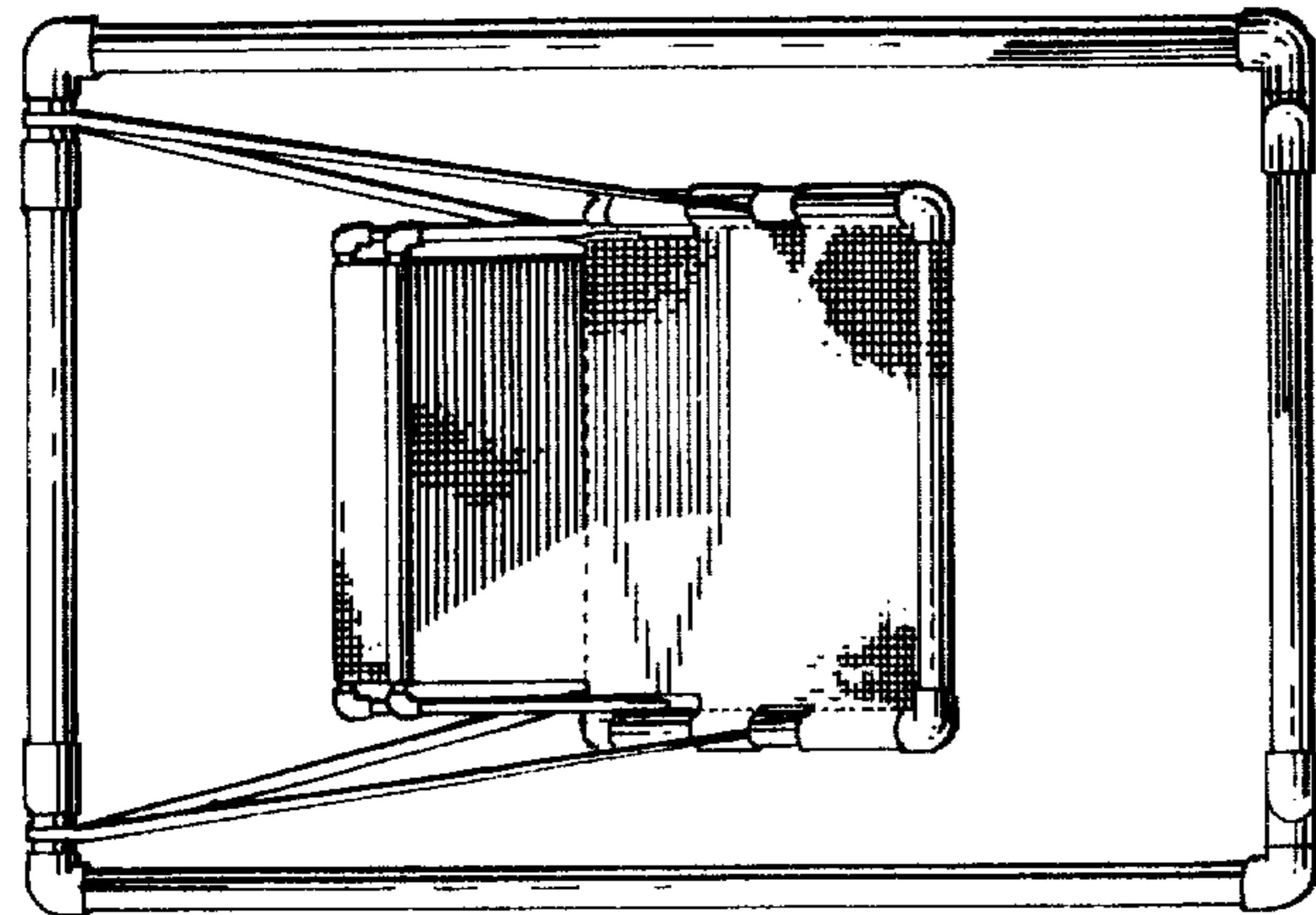


FIG. 3

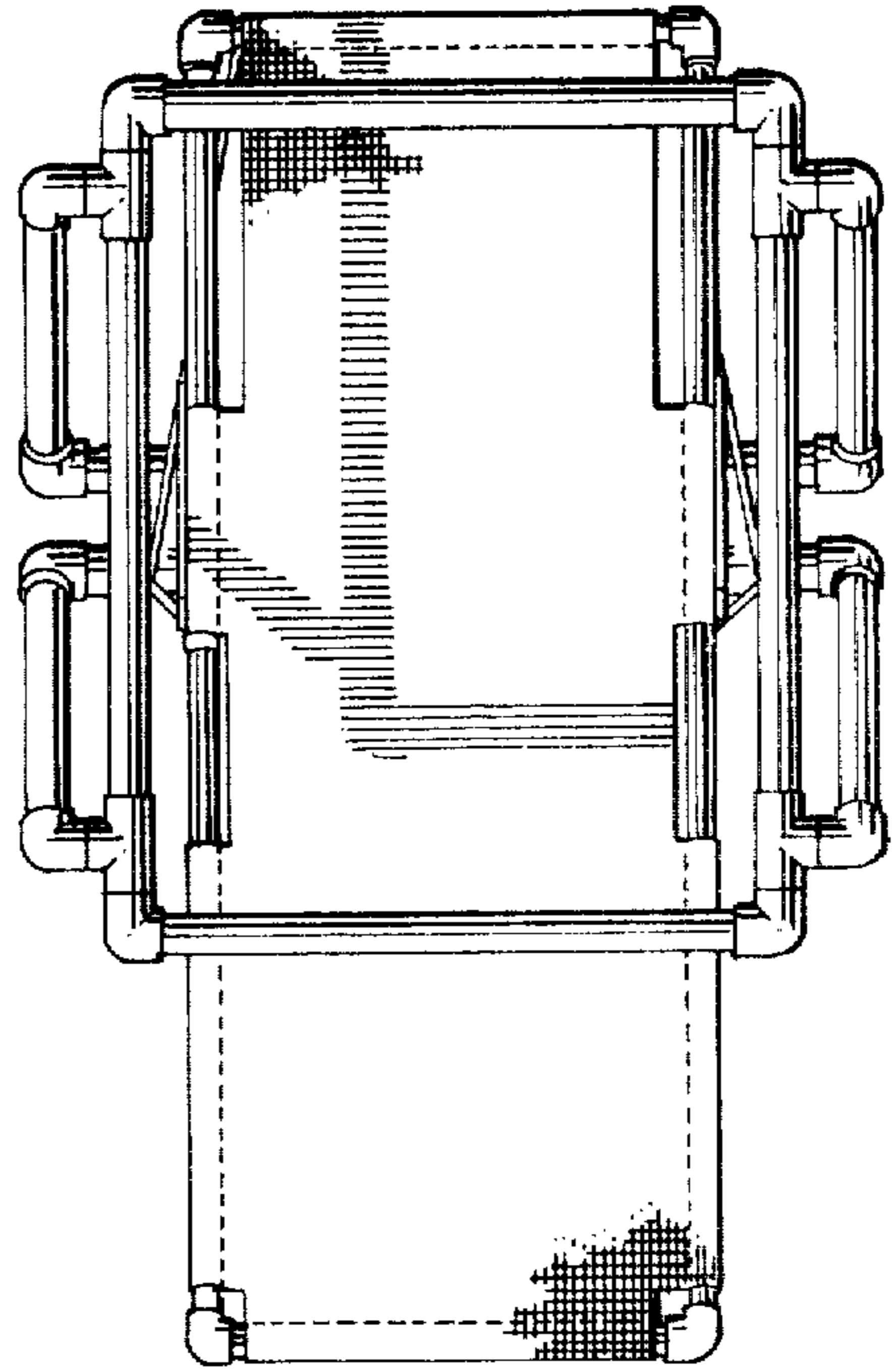


FIG. 4

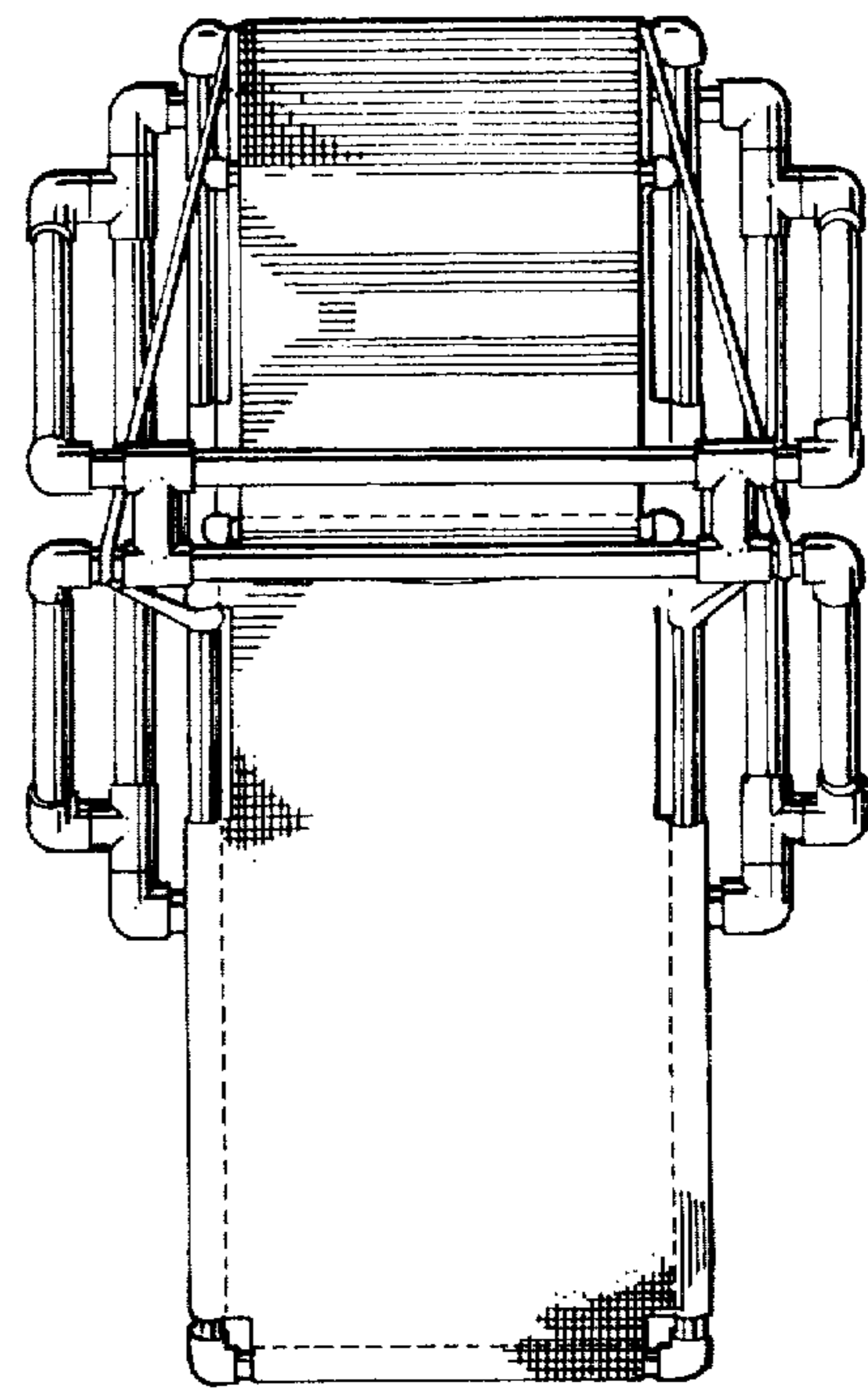


FIG. 5